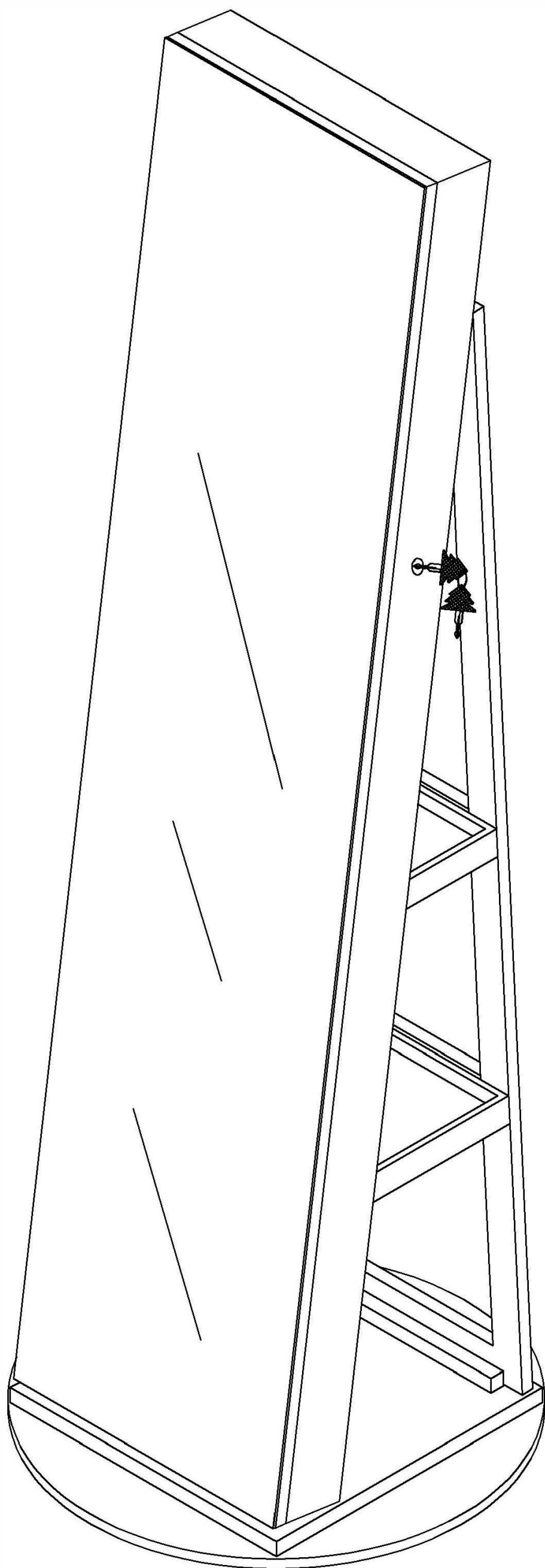
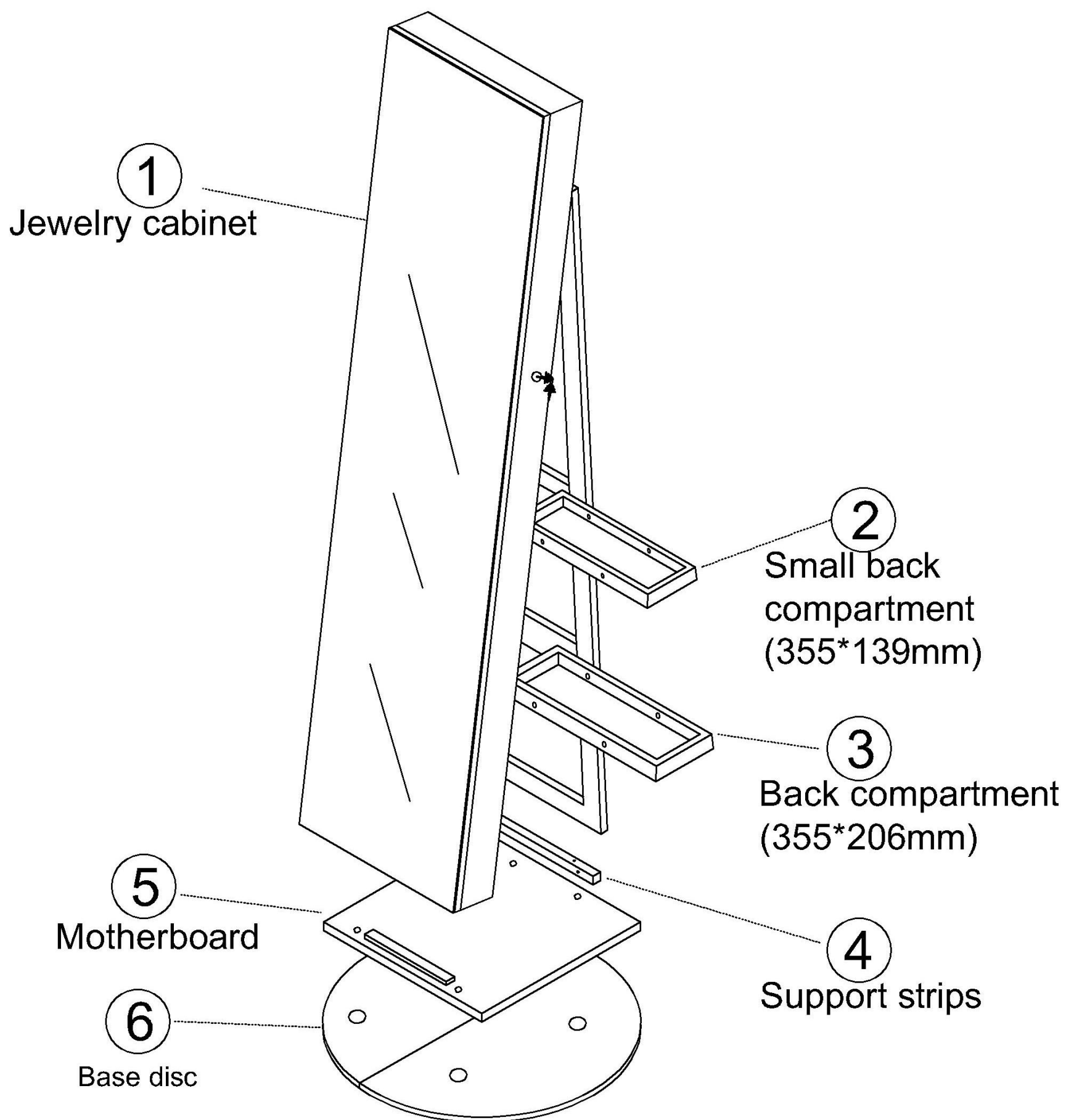


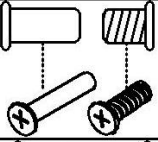
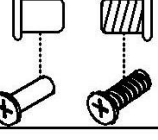
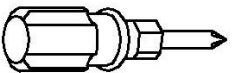
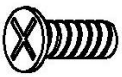


# MIRROR JEWELLERY CABINET





# Accessories list

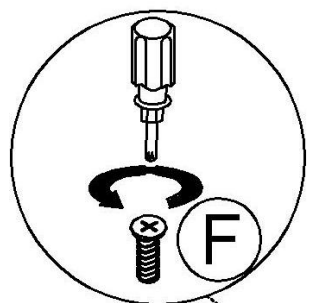


(A)		Long screw(6*30mm)	6 Pcs
(B)		The key	1 Pcs
(C)		Long cross screw assembly (5*20mm)	4 Pcs
(D)		Short cross screw assembly (5*8mm)	4 Pcs
(E)		Bolt driver	1 Pcs
(F)		Short screw(6*15mm)	4 Pcs

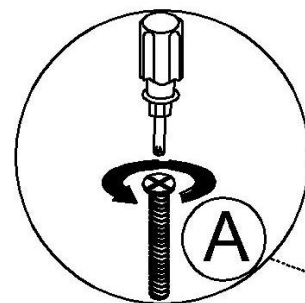
Step 1

(F)  (6\*15mm) x 4

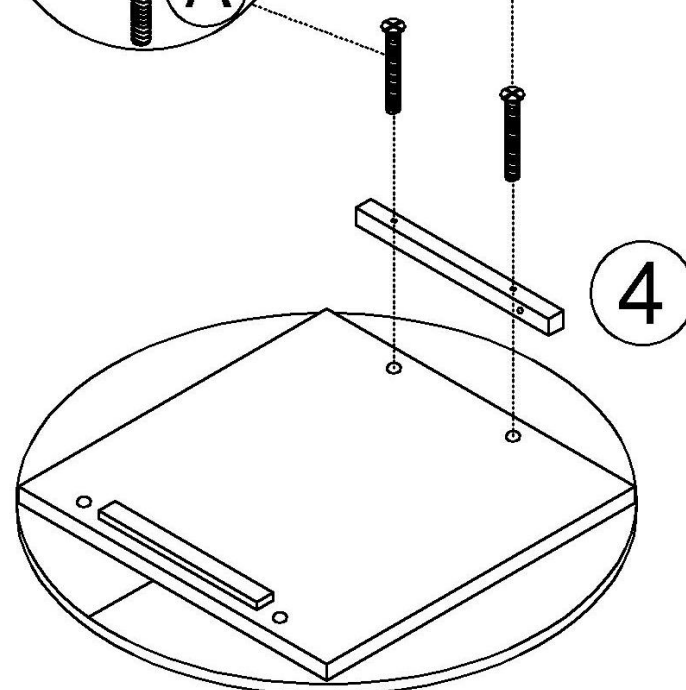
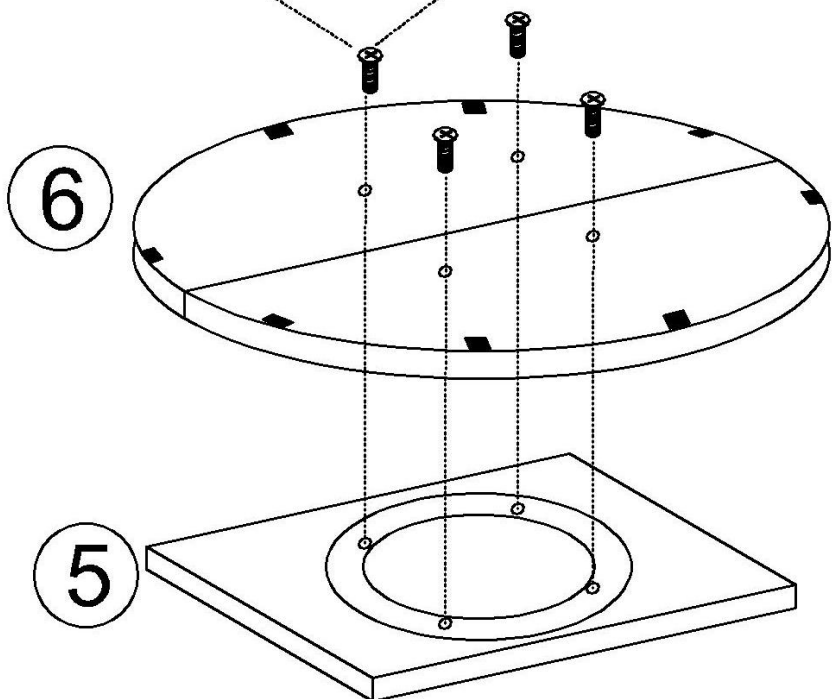
(A)  (6\*30mm) x 2




Use short screw  
(F) (6\*15mm)



Use long screw  
(A) (6\*30mm)

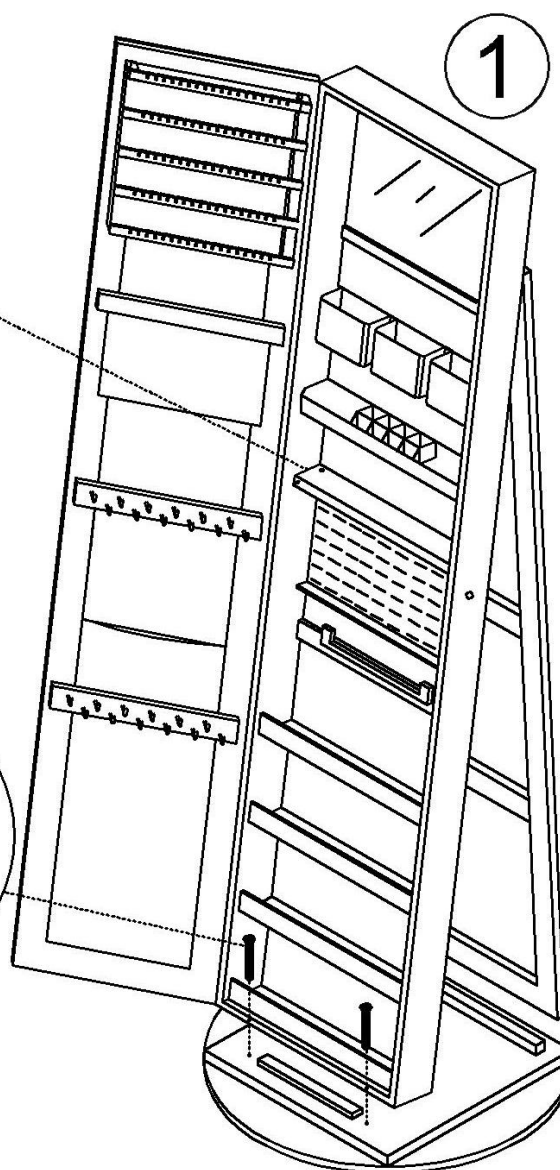
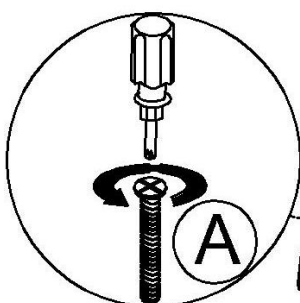
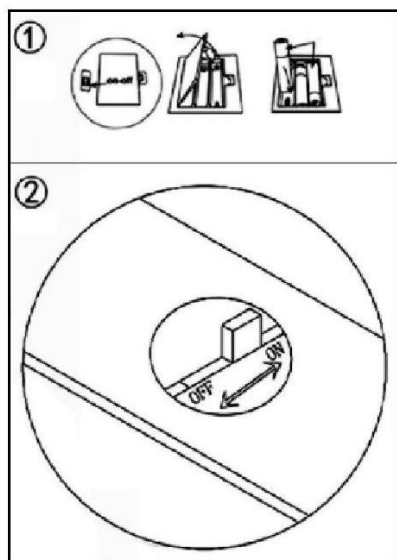


Step 2

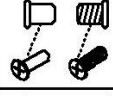
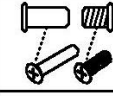

(A)  (6\*30mm) x 2

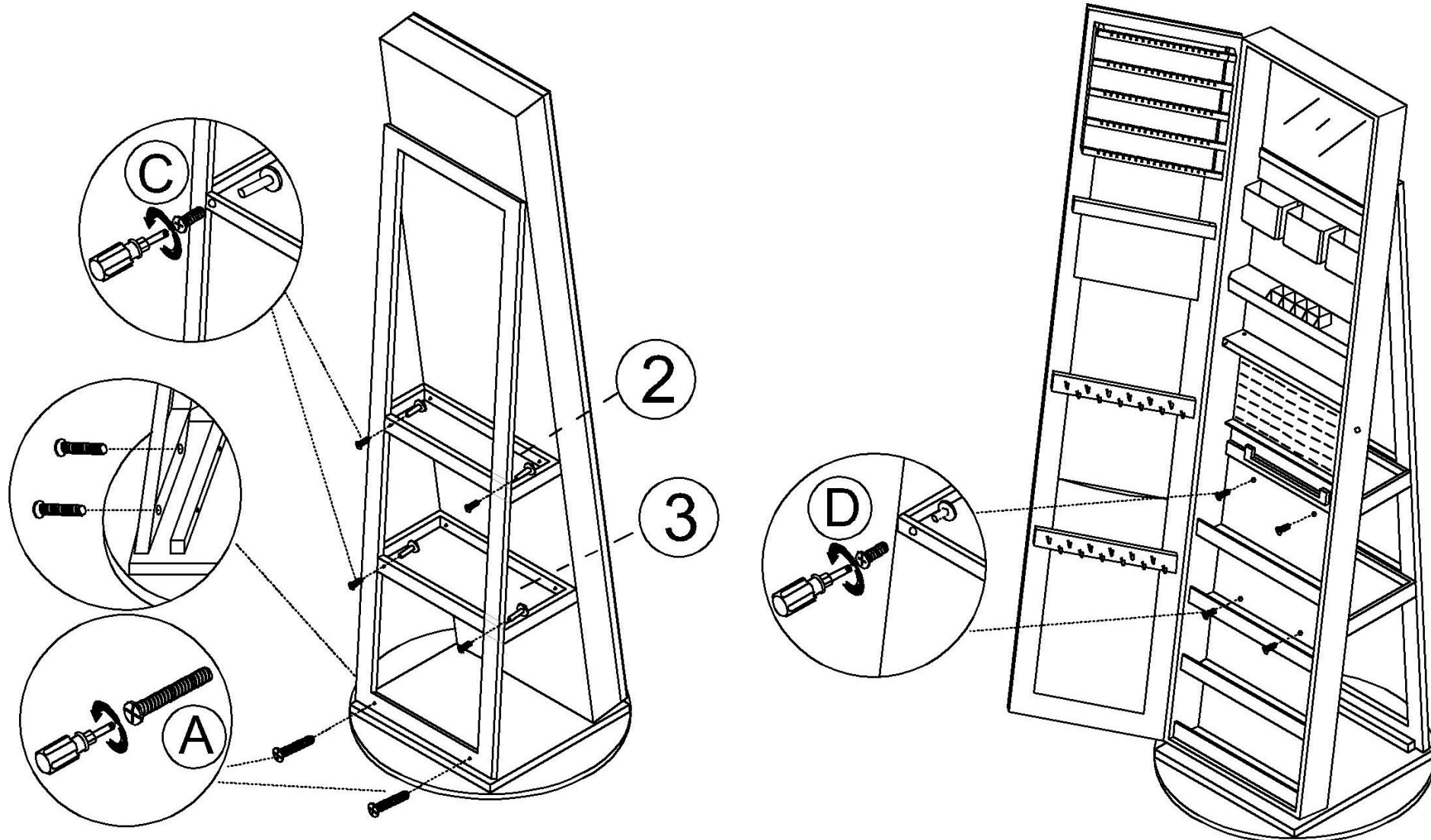
### Battery installation

(Tip: use 3 AA Batterise)



Step 3

(D)	 (5*8mm)	x 4
(C)	 (5*20mm)	x 4
(A)	 (6*30mm)	x 2



Step 4

(B)		x 1
-----	---	-----

