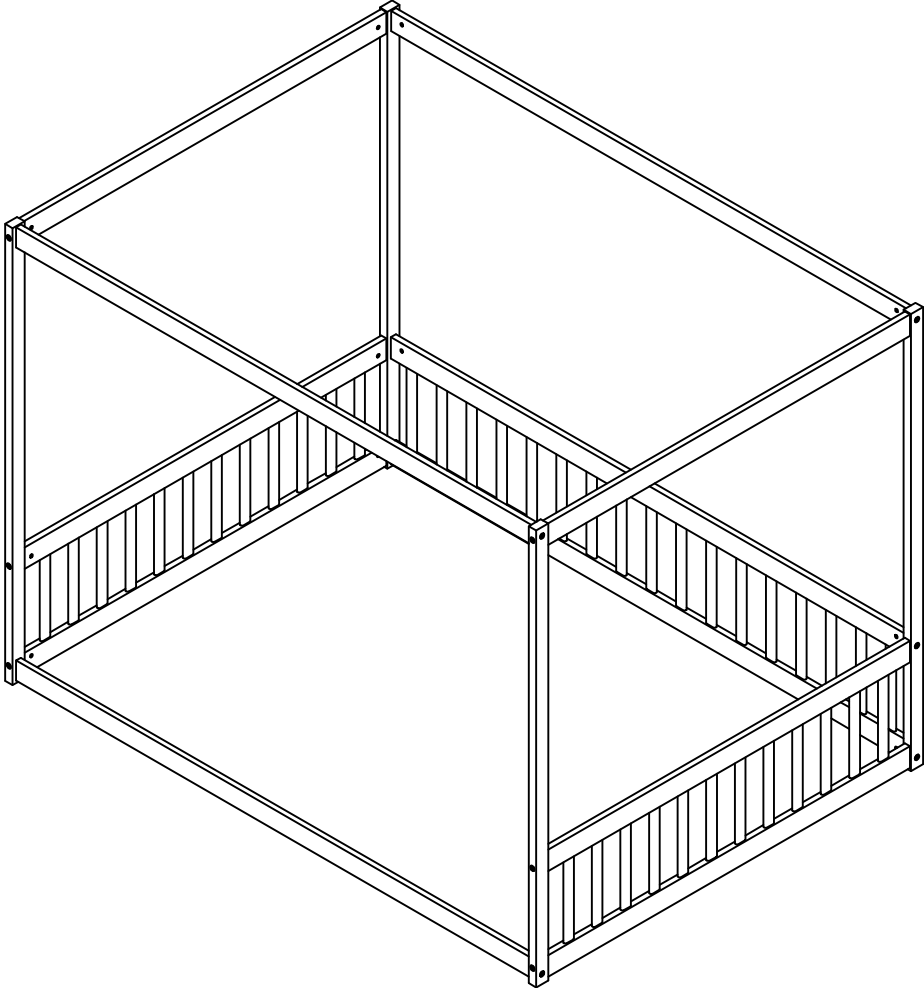
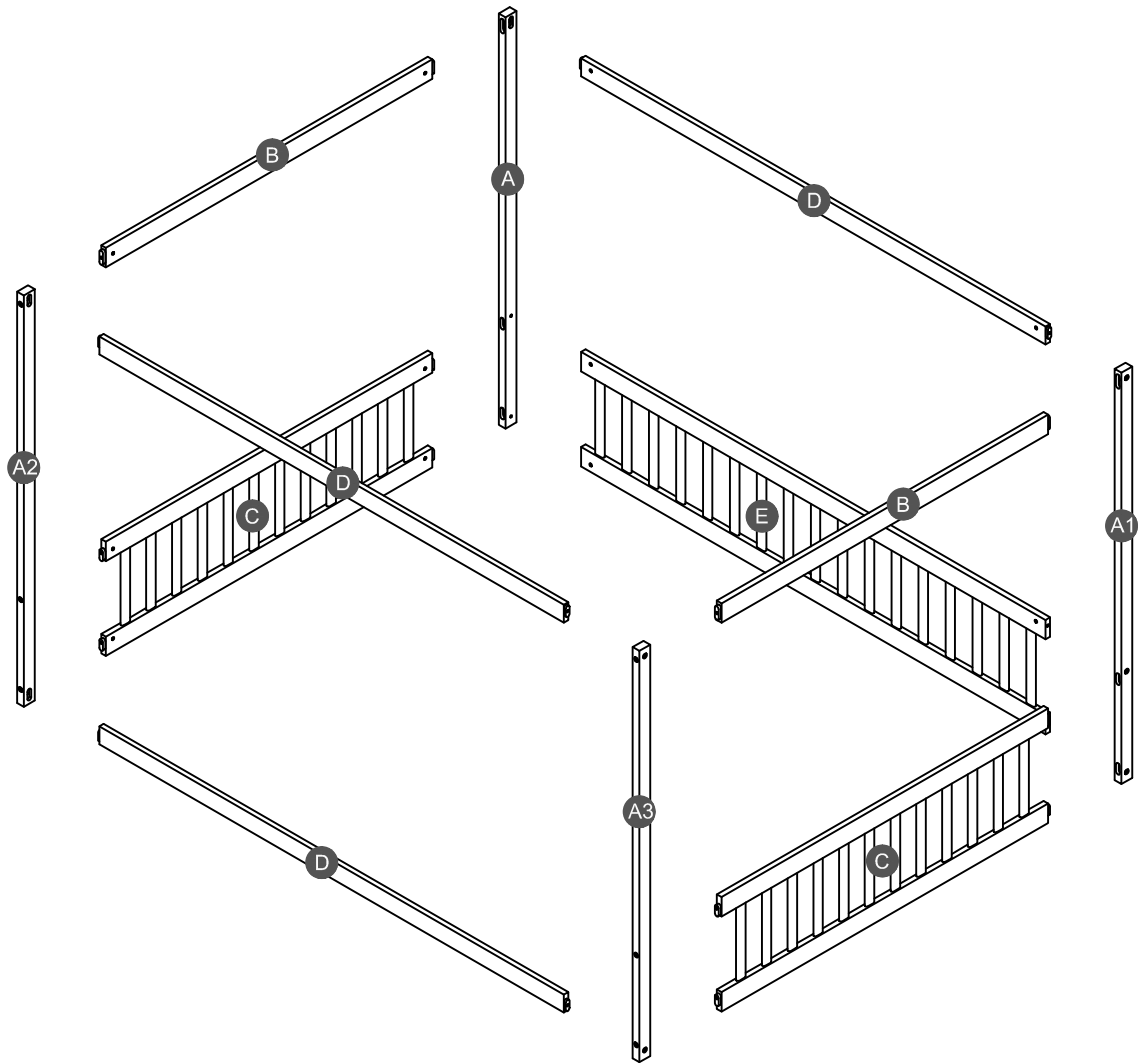


ASSEMBLY INSTRUCTIONS

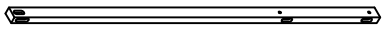
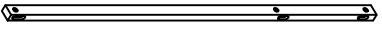
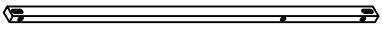
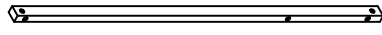
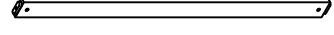
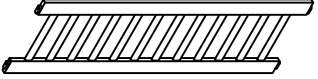
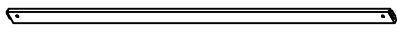
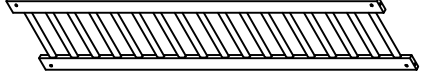
FULL FLOOR BED PLAN



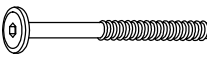
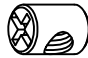

Detail View



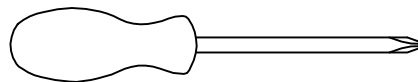
Part List

A  Leg (Left Back) - 1pc	A1  Leg (Right Back) - 1pc	A2  Leg (Left Front) - 1pc
A3  Leg (Right Front) - 1pc	B  Upper horizontal bar HB/FB - 2pcs	C  Frame HB/FB - 2pcs
D  Horizontal bar (Front/Back) - 3pcs	E  Guard rail (Back) - 1pc	

Hardware List

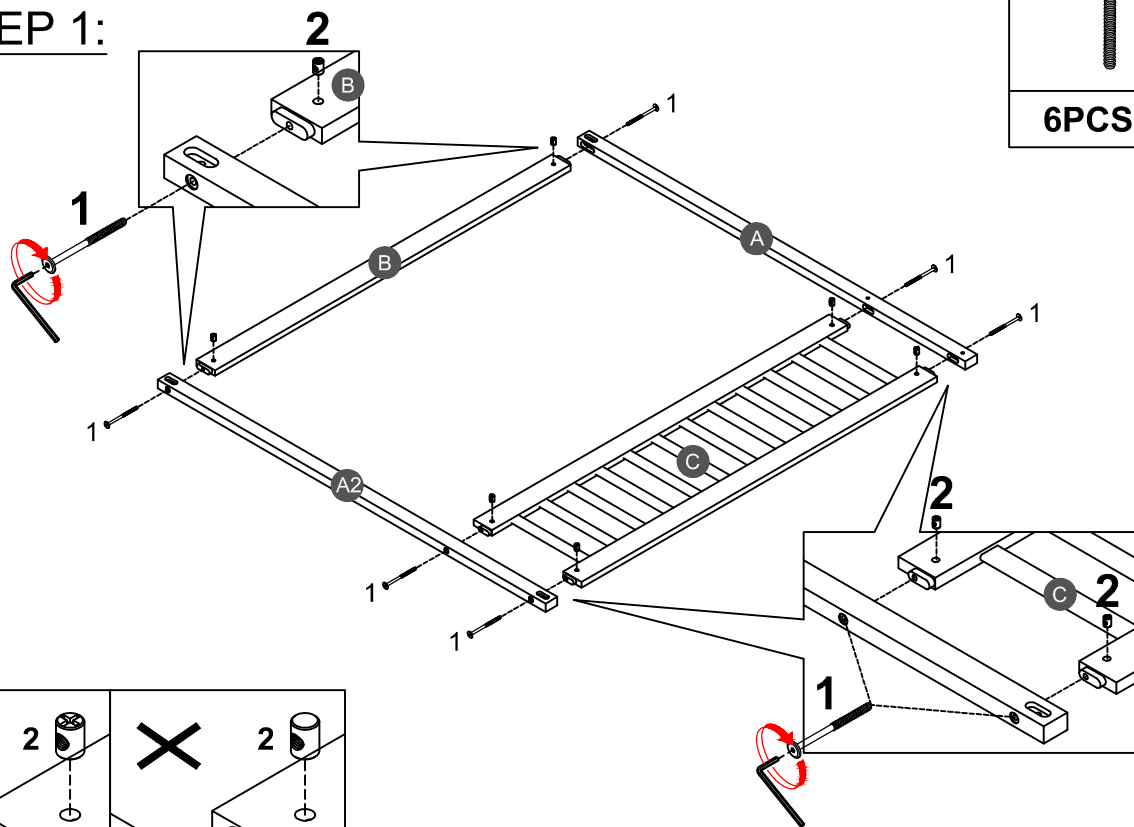
1  (Ø15)1/4"*80mm Hex-Head bolts (22pcs)	2  1/4"*15 (9.5mm) Horizontal-Hole bolts(22pcs)	3  (1/4")4.5*58mm Allen key (1pc)
---	--	--

ASSEMBLY TOOLS REQUIRED (NOT INCLUDED)

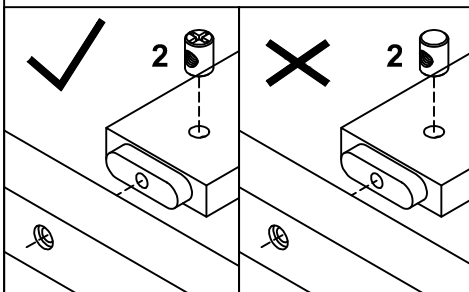


PLEASE BE CAREFUL DO NOT DAMAGE THE HOLE POSITION WHEN YOU USE POWER TOOLS !

STEP 1:

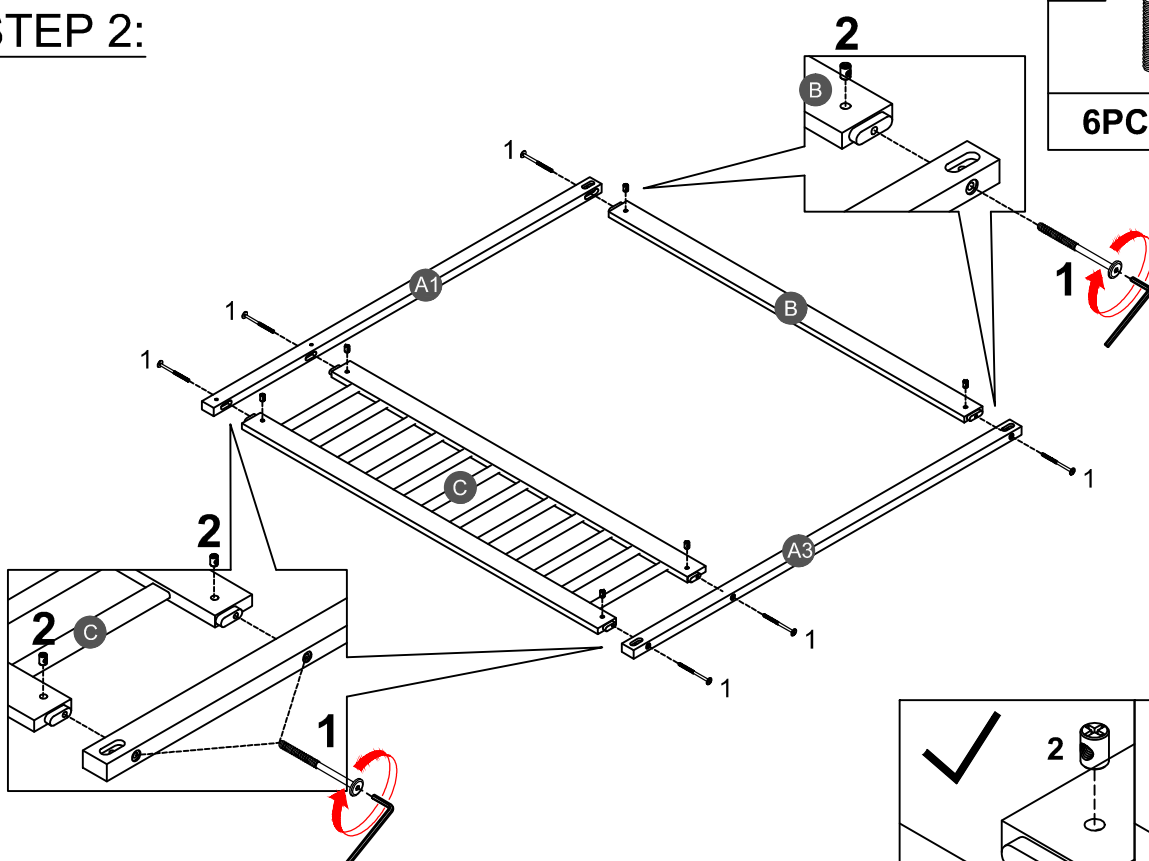


1		2	
6PCS		6PCS	

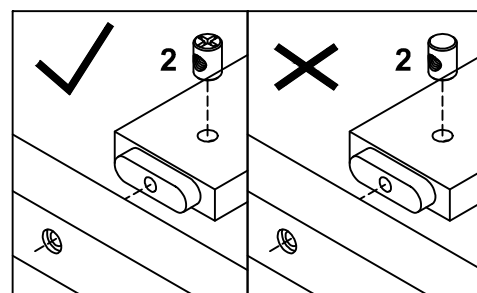


Note: Part 2 will face up with the "x" mark on it, otherwise it cannot be tightened

STEP 2:

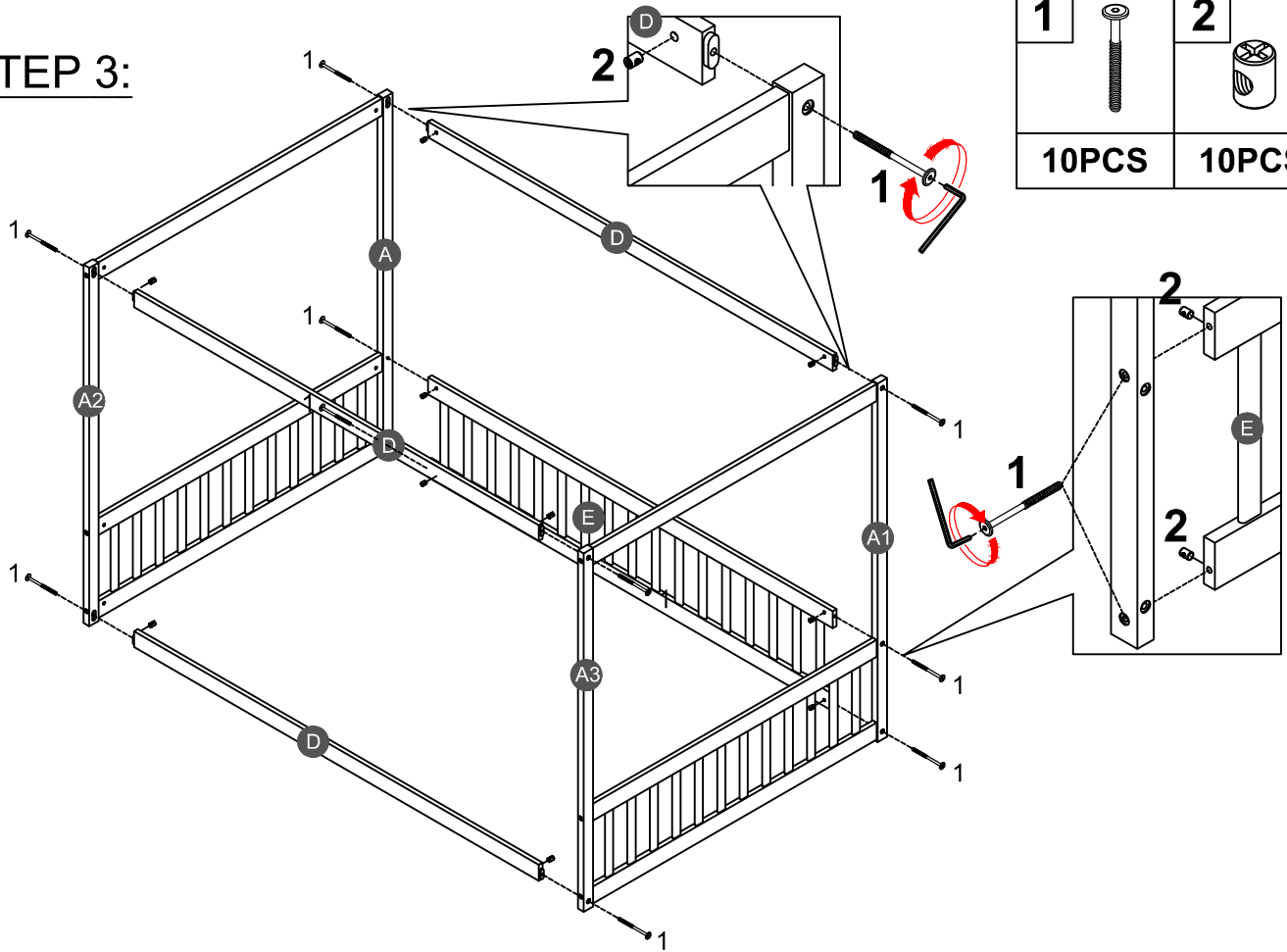




1		2	
6PCS		6PCS	



Note: Part 2 will face up with the "x" mark on it, otherwise it cannot be tightened

STEP 3:



1		2	
10PCS		10PCS	

