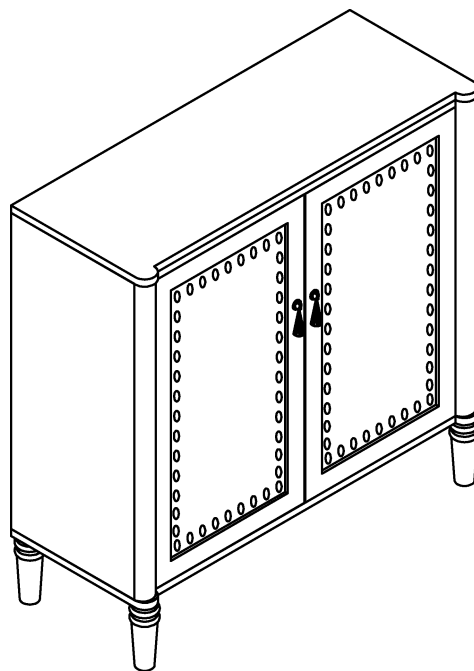


ASSEMBLY INSTRUCTIONS

Console Table



NOTE TO CUSTOMERS:

- For ease and speed of assembly we recommend that before you commence each step of the assembly that you identify all the parts required to complete that step.
- We recommend that where possible you allow sufficient space to assemble the item as close as possible to the place where it will be once assembled.
- For the protection of your furniture we recommend that the product is placed on protected surfaces during assembly to prevent any damage.
- During assembly do not over tighten, as this may damage the product.
- Please ensure you retain all the product packaging until the item completely assembled.
- Please periodically check all fittings and re-tighten as necessary.
- Please never allow any liquids to remain on your furniture as absorption can cause the wood to warp or finish to de-laminate.
- It is recommended that this item should be assembled by two adults.

To insert a cam lock: (Please read below instructions before assembling)

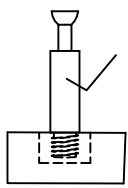
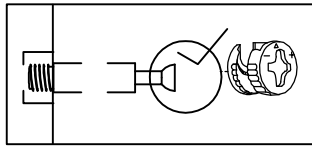


Diagram A



1. Insert cam screw into hole as shown in diagram A .

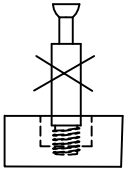
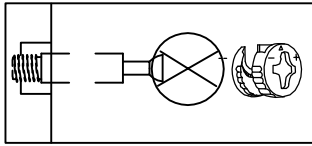


Diagram B



Make sure not to insert the cam screw:
Too deep as shown in figure B as this will cause the
cam screw to be misaligned and unable to
interlock properly.

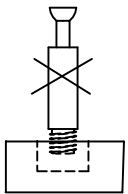
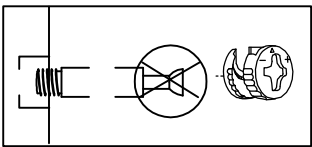
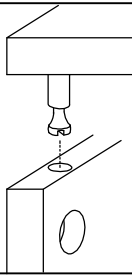


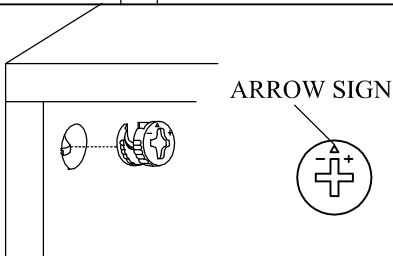
Diagram C



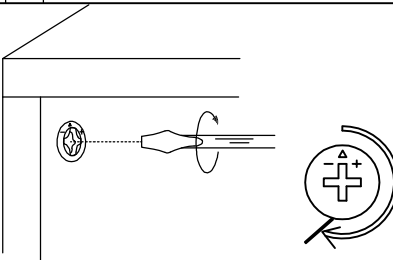
Also avoid inserting the cam screw too close to the
surface of the hole as shown in figure C, as this will
cause the cam lock to be too loose, and not interlock
properly.



2. Connect the panels together.



3. When inserting the cam lock make sure the arrow
of the cam lock faces the cam screw.



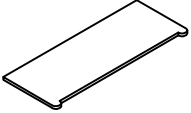
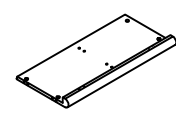

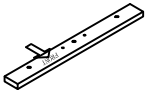
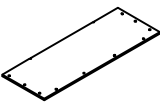
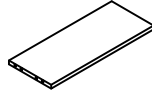

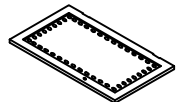
4. To tighten the cam lock turn the cam lock clockwise
90-180 degree or until the arrow is facing opposite
the place cam lock was inserted.

**NOTE: DO NOT USE AN AUTOMATIC
SCREWDRIVER TO TIGHTEN CAM LOCKS.**

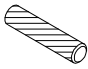
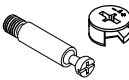



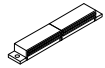
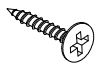

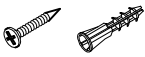
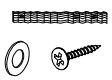
Note:

- Read these instructions carefully before assembling.
- Tools required : Phillips screwdriver, flat screwdriver.
- Find a clean, smooth area on which to work , such as a carpet, in order to avoid scratching the wood surfaces.
- Wait to dispose of the packing material until assembly is complete and all parts and hardware are accounted for.
- Two or more people might be required for assembly.

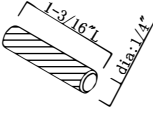
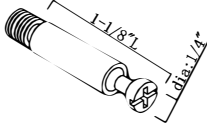
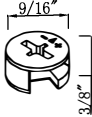
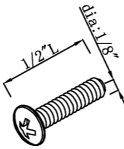
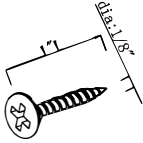
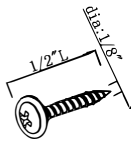
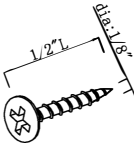
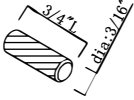
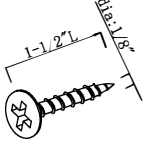
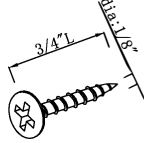
Part List

<p>A1</p> <p style="text-align: center;">Quantity of 1</p>  <p>Top Panel</p>	<p>A2</p> <p style="text-align: center;">Quantity of 2</p>  <p>Side Panel (L&R)</p>	<p>A3</p> <p style="text-align: center;">Quantity of 1</p>  <p>Bottom Panel</p>	<p>A4</p> <p style="text-align: center;">Quantity of 1</p>  <p>Upper Apron</p>
<p>A5</p> <p style="text-align: center;">Quantity of 2</p>  <p>Back Panel</p>	<p>A6</p> <p style="text-align: center;">Quantity of 1</p>  <p>Shelf</p>	<p>A7</p> <p style="text-align: center;">Quantity of 4</p>  <p>Leg</p>	<p>A8</p> <p style="text-align: center;">Quantity of 2</p>  <p>Door (L&R)</p>

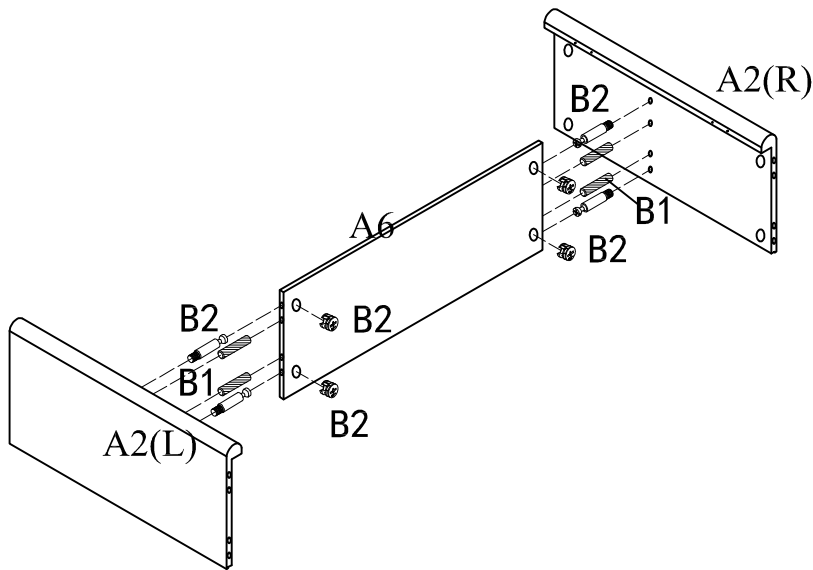
Hardware List


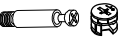
<p>B1</p> <p style="text-align: center;">Quantity of 12</p>  <p>Wood Dowel</p>	<p>B2</p> <p style="text-align: center;">Quantity of 12</p>  <p>Cam-Lock</p>	<p>B3</p> <p style="text-align: center;">Quantity of 2</p>  <p>Knob with Screw</p>	<p>B4</p> <p style="text-align: center;">Quantity of 3</p>  <p>Screw</p>
<p>B5</p> <p style="text-align: center;">Quantity of 24</p>  <p>Screw</p>	<p>B6</p> <p style="text-align: center;">Quantity of 1</p>  <p>Magnet</p>	<p>B7</p> <p style="text-align: center;">Quantity of 8</p>  <p>Screw</p>	<p>B8</p> <p style="text-align: center;">Quantity of 2</p>  <p>Wood Dowel</p>
<p>B9</p> <p style="text-align: center;">Quantity of 1</p>  <p>Anchor with Screw</p>	<p>B10</p> <p style="text-align: center;">Quantity of 1</p>  <p>Anti-tip kit</p>		

APPENDIX: Dimension of Hardwares in this AI.

<p>B1</p>  <p>Wood Dowel</p>	<p>B2</p>  <p>Cam-bolt</p>  <p>Cam-Lock</p>	<p>B3</p>  <p>Bolt</p>	
<p>B4</p>  <p>Screw</p>	<p>B5</p>  <p>Screw</p>	<p>B7</p>  <p>Screw</p>	<p>B8</p>  <p>Wood Dowel</p>
<p>B9</p>  <p>Screw</p>	<p>B10</p>  <p>Screw</p>		

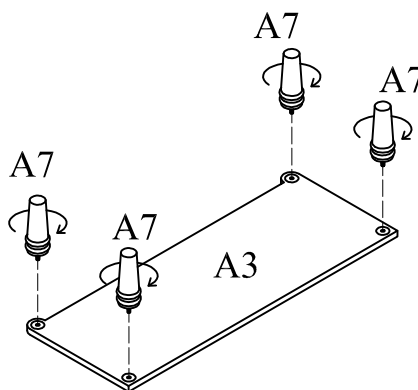
STEP 1



B1		4pcs
B2		4sets


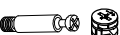
Assemble Side Panels A2 (L&R) to Shelf A6 using Wood Dowels B1 and Cam-Locks B2.

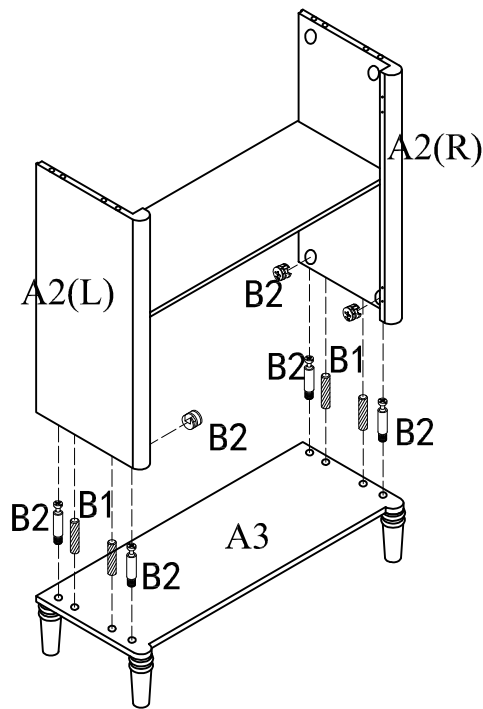
STEP 2



Attach and tighten Legs A7 to the bottom of the Bottom Panel A3 as shown above.





STEP 3

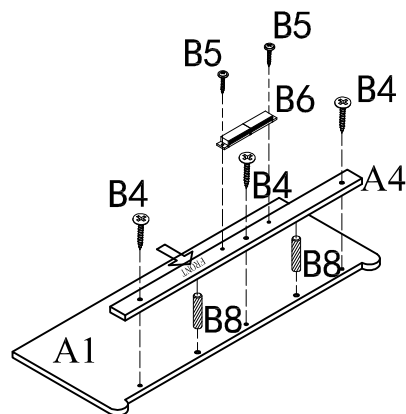
B1		4pcs
B2		4sets



Assemble Side Panels A2 (L&R) to Bottom Panel A3 using Wood Dowels B1 and Cam-Locks B2.

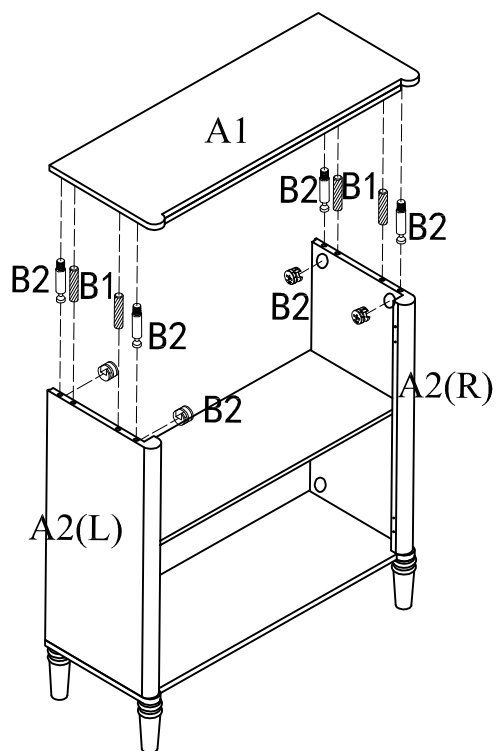
STEP 4



B4		3pcs
B5		2pcs
B6		1pc
B8		2pcs



- 1). Attach Upper Apron A4 to Top Panel A1 using Wood Dowels B8 and Screws B4.
 - 2). Attach Magnet B6 to Upper Apron A4 using Screws B5.
- Note: Holes are pre-drilled.

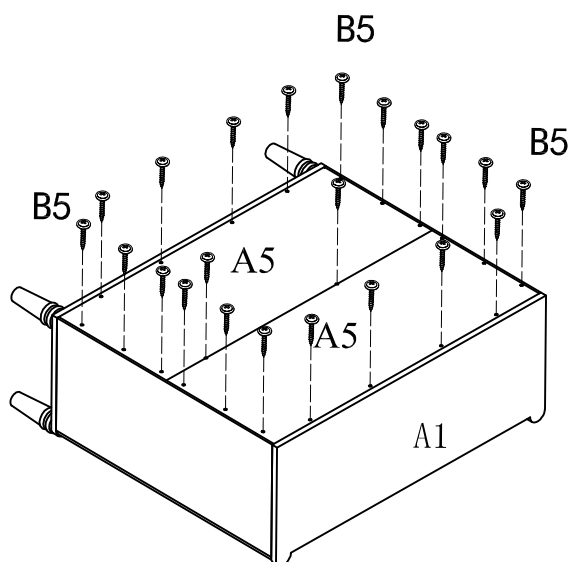
STEP 5



B1  4pcs
B2  4sets

Attach Top Panel A1 to Side Panels A2 (L&R) using Wood Dowels B1 and Cam-Locks B2.



STEP 6

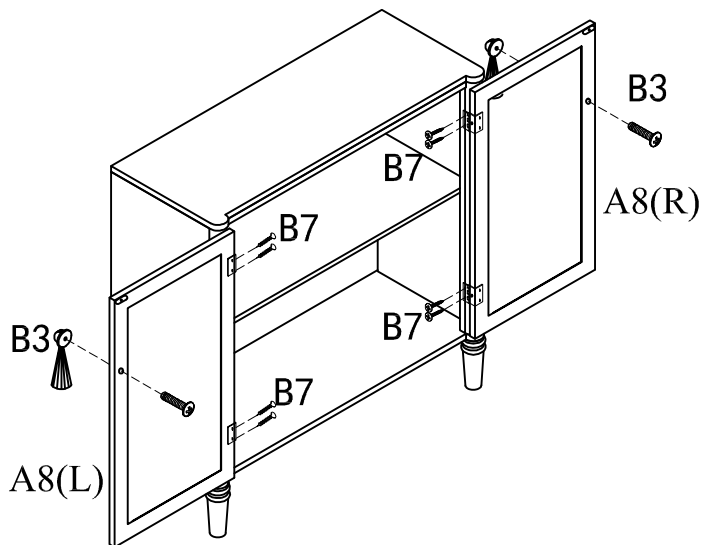


B5  22pcs

Attach Back Panels A5 to the back of the table using Screws B5.



STEP 7

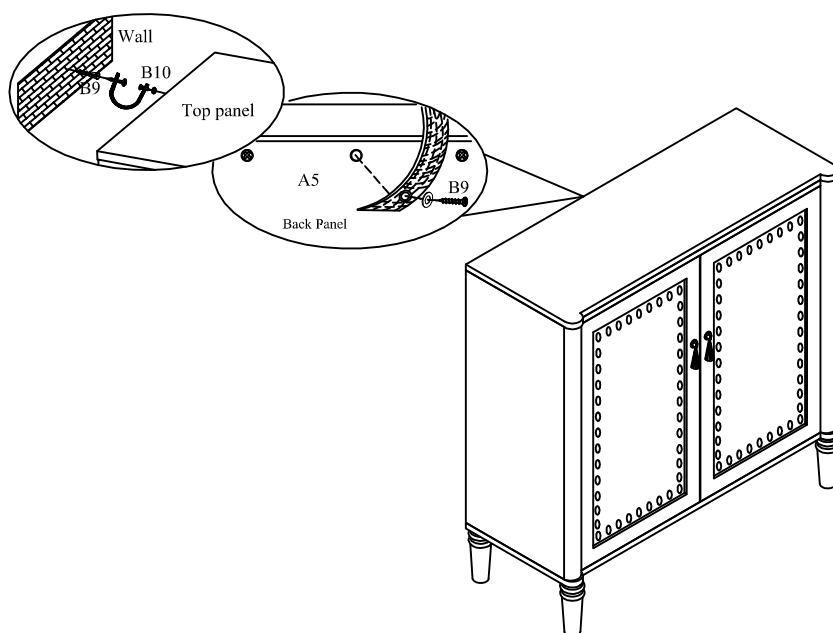
B3		2pcs
B7		8pcs



- 1). Attach Doors A8 (L&R) to Side Panels A2(L&R) using Screws B7.
- 2). Attach Knobs B3 to Doors A8 (L&R) using included Bolts.

STEP 8

B9		1set
B10		1set



For your safety, please attach this table to the wall by Anchor with Screw B9 and Anti-tip kit B10.