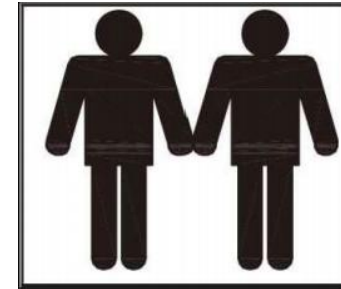
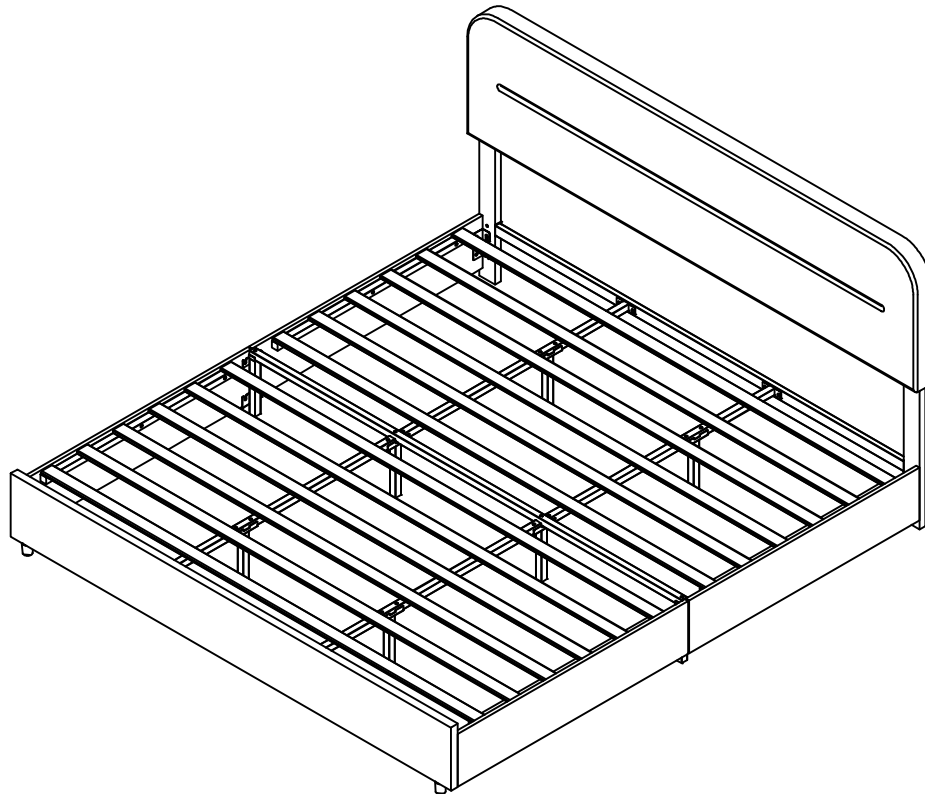


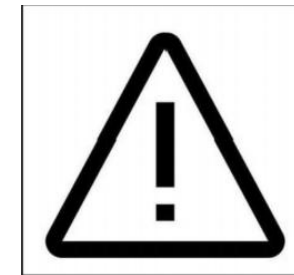
Assembly Instruction

Note:

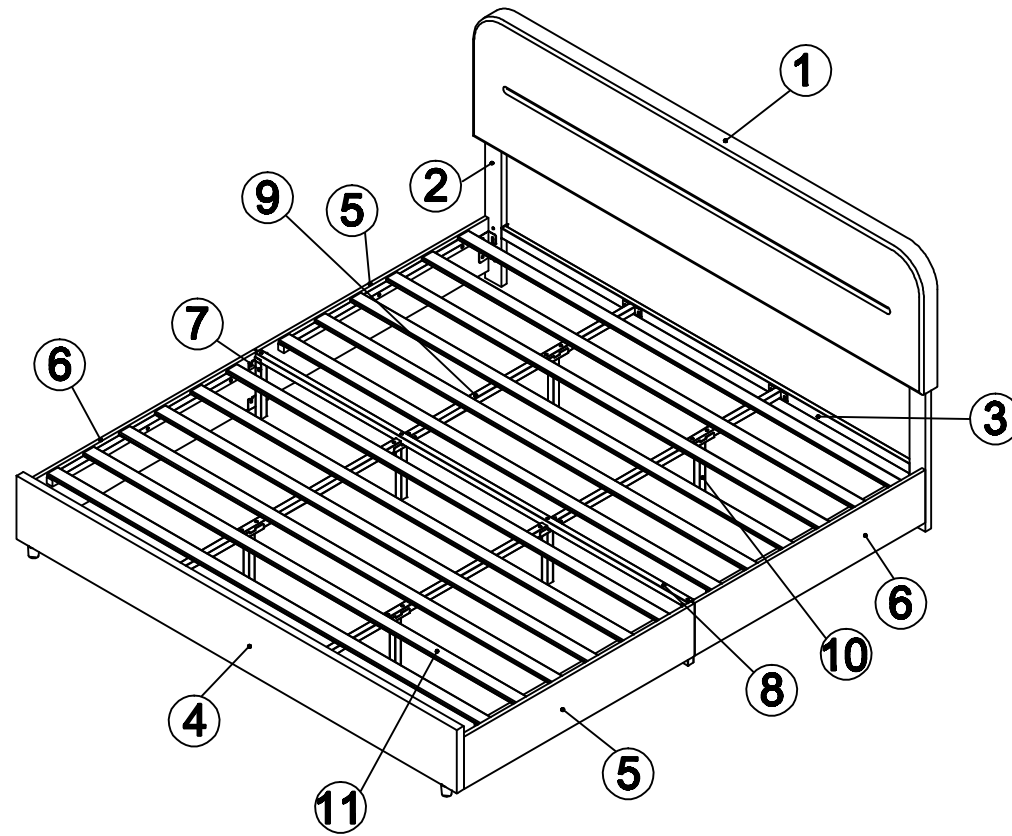
- 1. Should be assembled on flat ground to keep balance.**
- 2. Before completing the installation, do not tighten the screws.**



It needs at least two people to install.







Before starting the assembly, you must read the whole manual and follow the instructions.

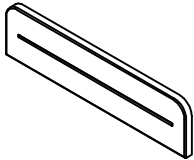


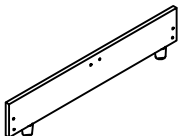
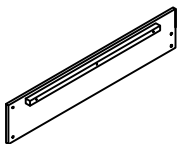
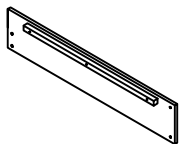

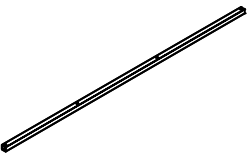
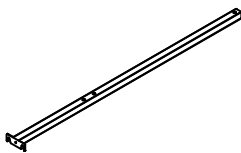
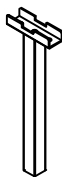
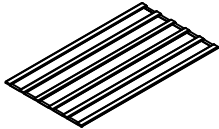

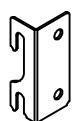


Assembly Instruction



Hardware arts

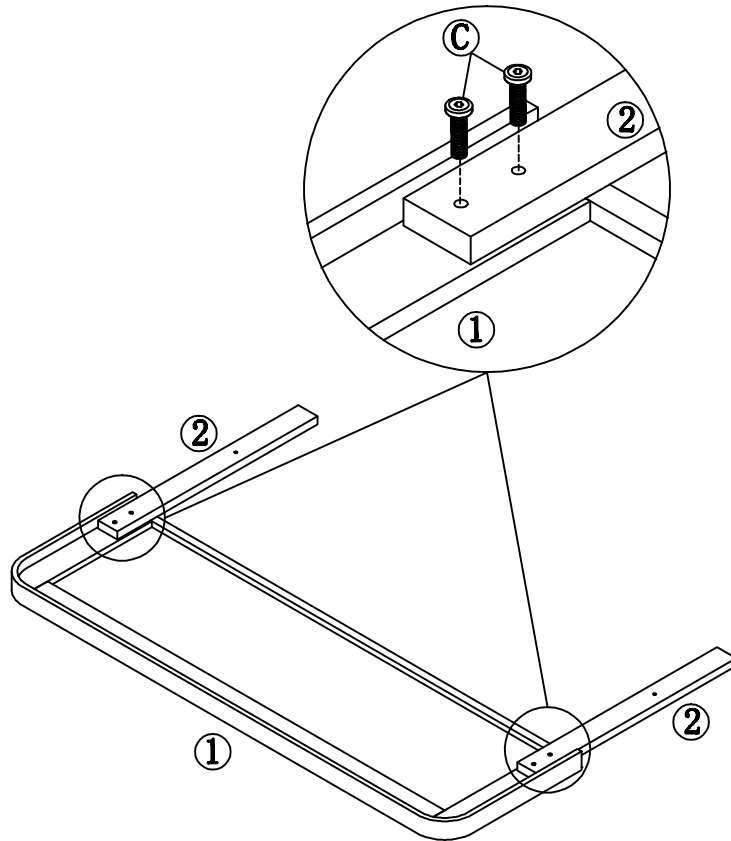
 <p>Ⓐ M8*20 36PCS</p>	 <p>Ⓑ M8x35 14pcs</p>	 <p>Ⓒ M8x45 6pcs</p>	 <p>Ⓓ 4# 1pc</p>	/	/	/
--	--	---	---	---	---	---



Part list

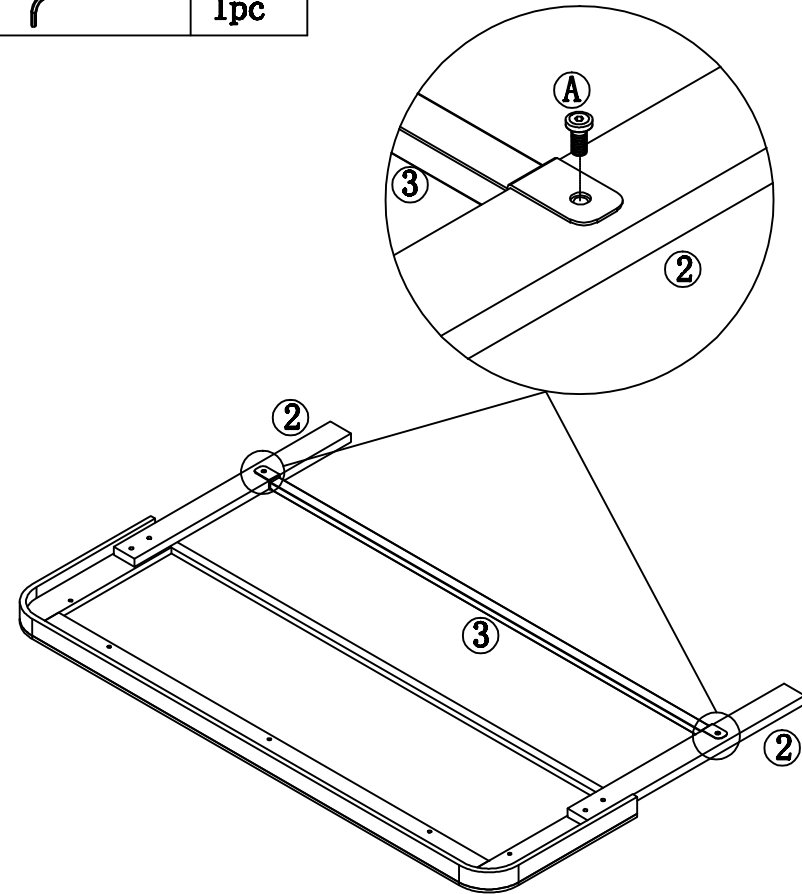
 <p>① 1 PC</p>	 <p>② 2 PCS</p>	 <p>③ 1 PC</p>	 <p>④ 1 PC</p>	 <p>⑤ 2 PCS</p>	 <p>⑥ 2 PCS</p>	 <p>⑦ 2 PCS</p>
 <p>⑧ 1 PC</p>	 <p>⑨ 4 PCS</p>	 <p>⑩ 6 PCS</p>	 <p>⑪ 2 PCS</p>	 <p>⑫ 2 PCS</p>	 <p>⑬ 2 PCS</p>	/
/	/	/	/	/	/	<p>Page 3/8</p>

Assembly Instruction

C	 M8x45	4pc
D		1pc

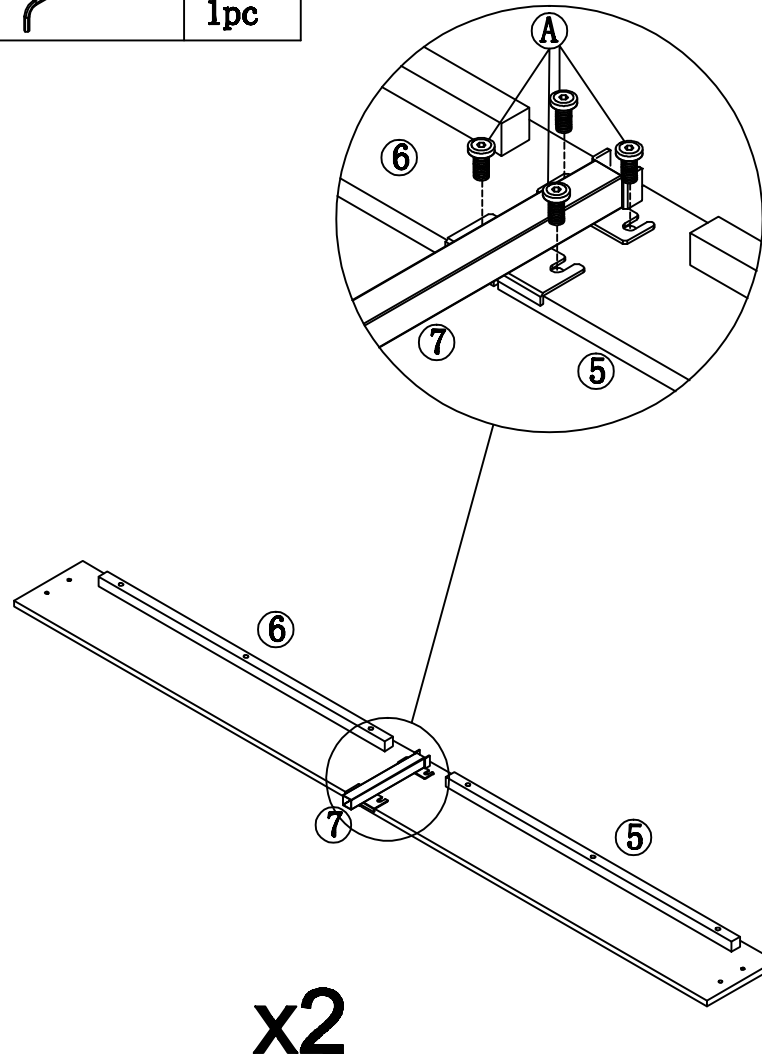




A	 M8x20	2pc
D		1pc

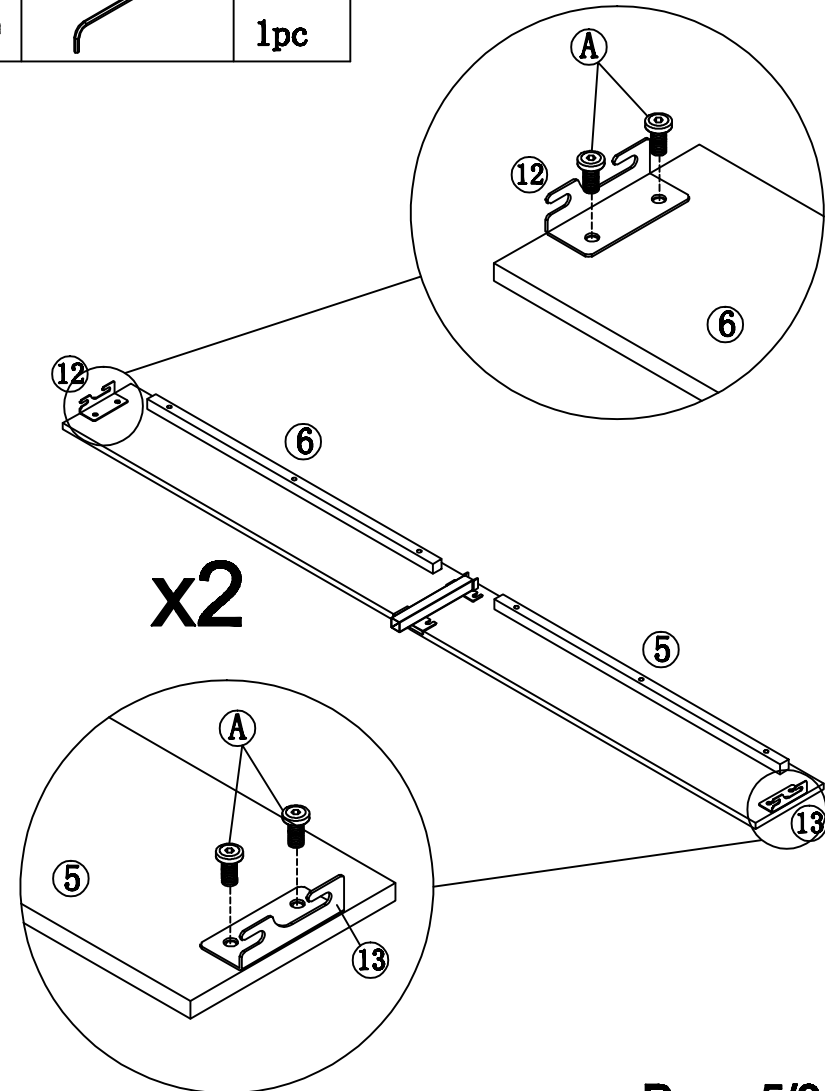


Assembly Instruction



A	 M8x 20	8pcs
D		1pc

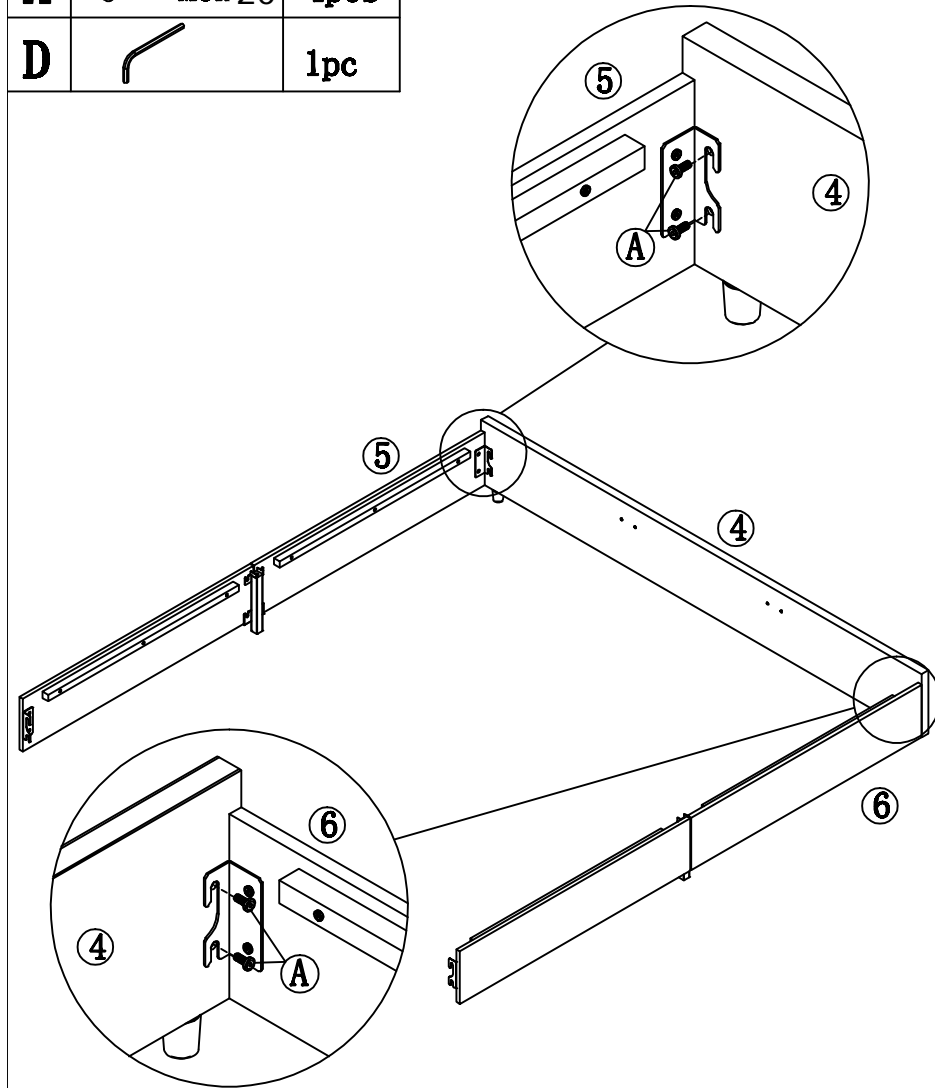




A	 M8x 20	8pcs
D		1pc

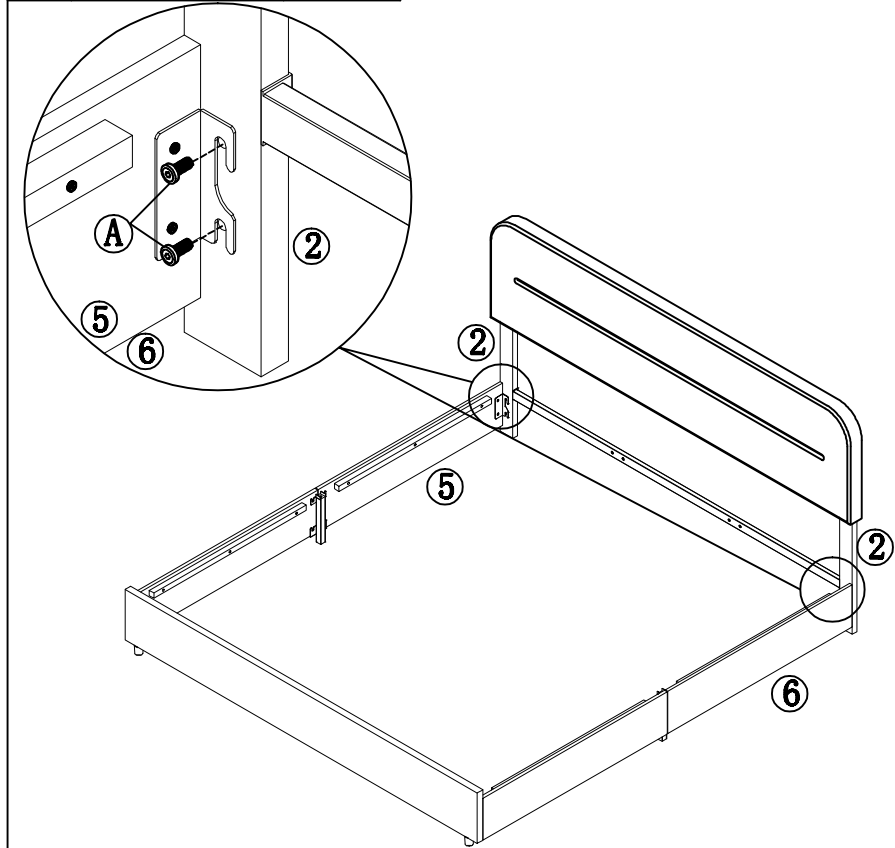


Assembly Instruction




A	 M8x 20	4pcs
D		1pc






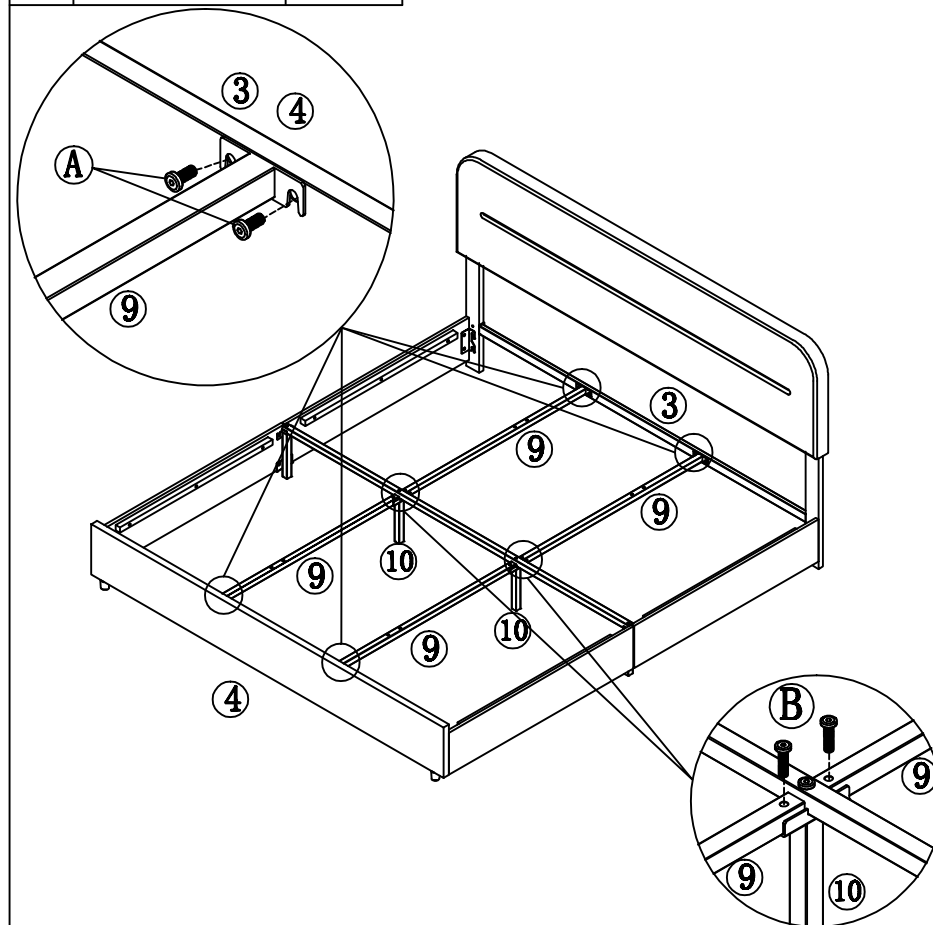
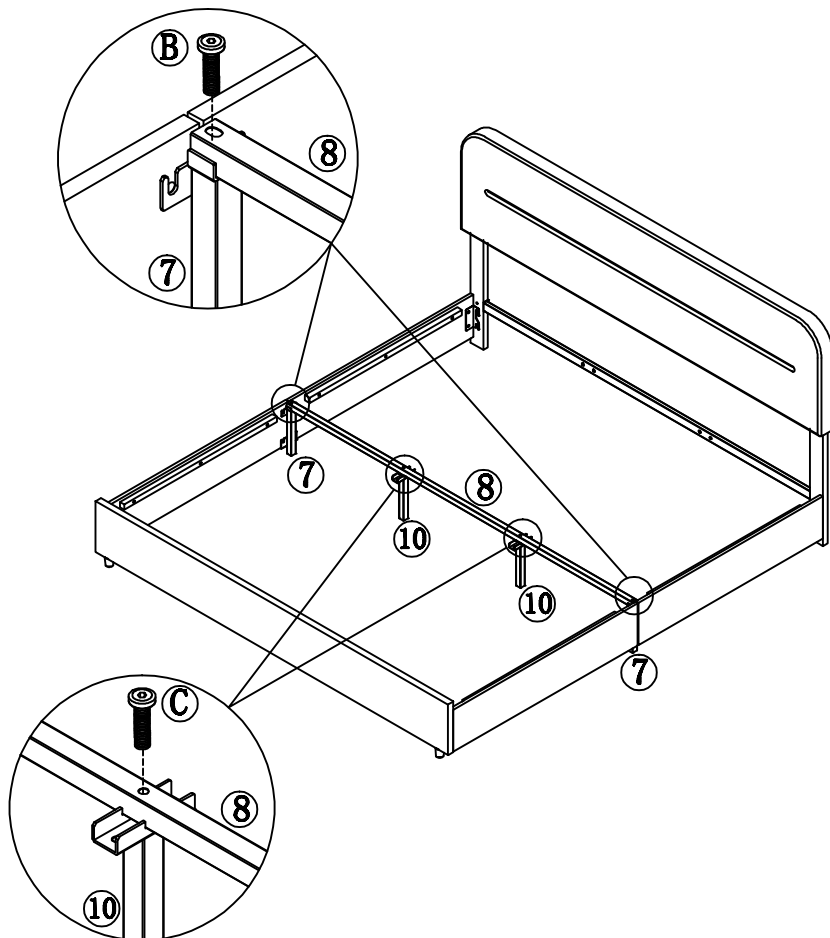
A	 M8x 20	4pcs
D		1pc





Assembly Instruction

B	 M8x35	2pcs
C	 M8x45	2pcs
D		1pc

A	 M8x 20	8pcs
B	 M8x35	4pcs
D		1pc



Assembly Instruction

B	 M8x35	8pcs
D		1pc

