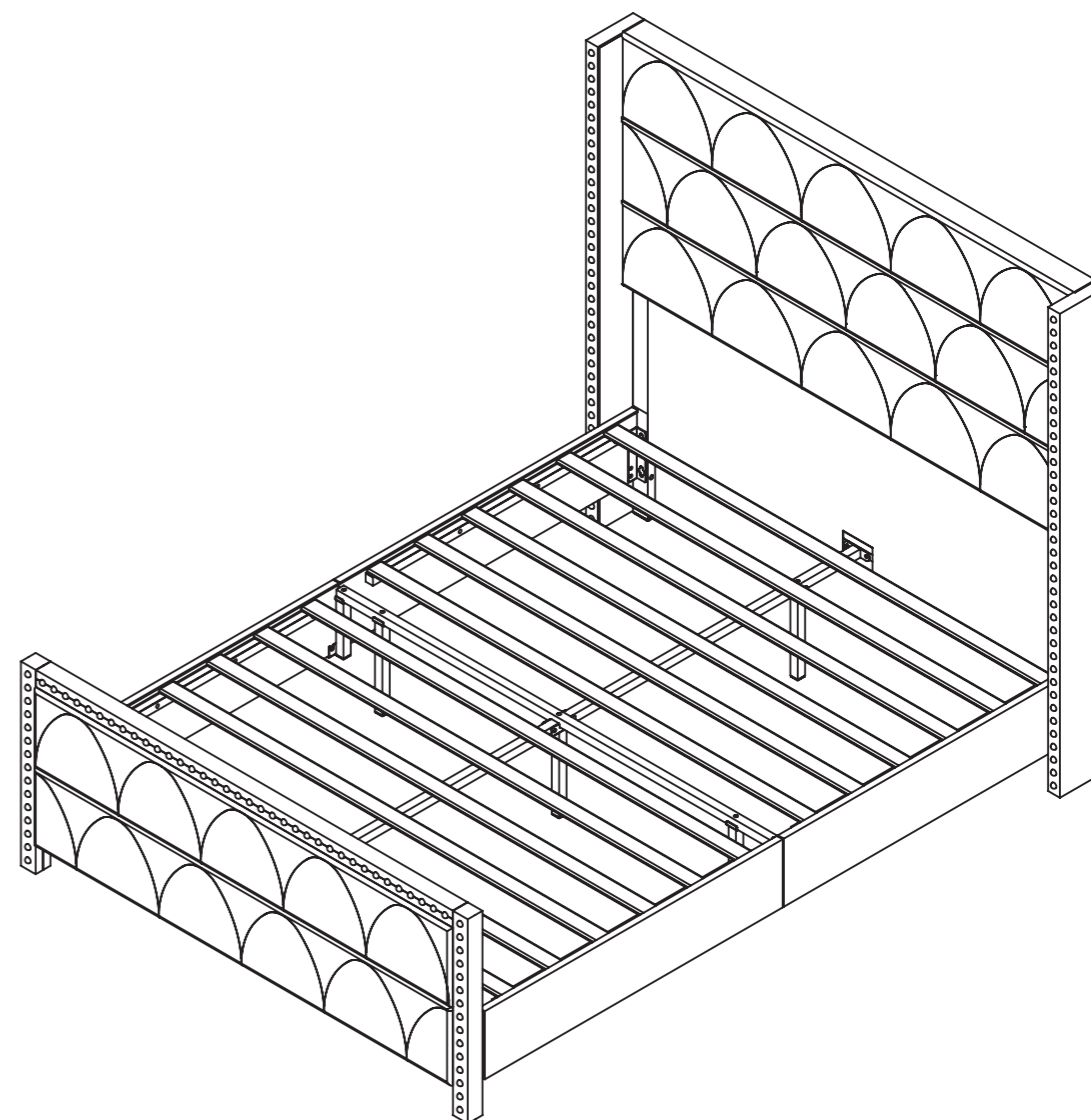


---

# Velvet Platform Bed

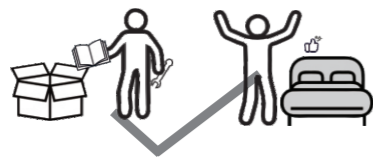
## Assembly Instructions



## IMPORTANT

### PRE-ASSEMBLY INTRODUCTION

We understand that building ready-to-assemble furniture can be challenging for some. To help you, we've included a few tips that may speed up the process.



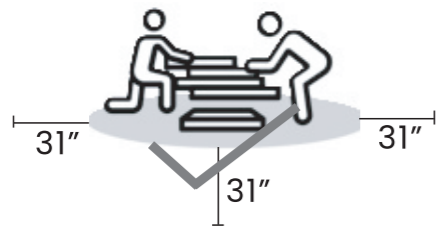
#### **Follow the Installation Manual**

Proceed with the steps to ensure everything comes together quickly and correctly.



#### **Teamwork**

It is recommended that **two or more people** transport and assemble the furniture together to avoid potential injuries and damage.



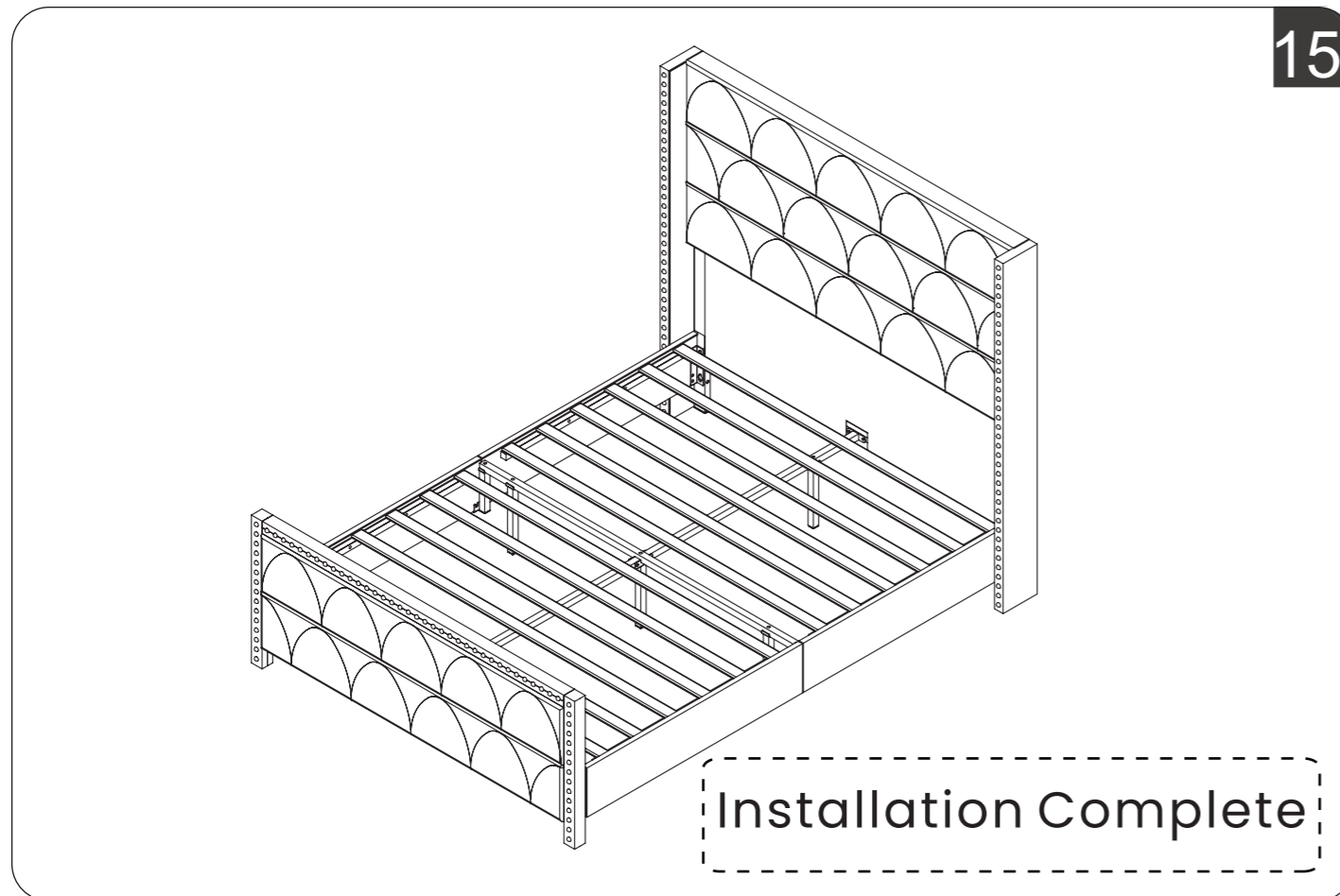
#### **Sufficient Space**

Leave at least **80 cm (31 inches)** around the product to ensure that there is enough space for easy movement and assembly.



#### **Avoid Scratches and Dirt**

Use pads or cardboard during the assembly process to avoid scratches and dirt.



Use a clean, damp cloth to gently wipe the surface, removing dust and stains. If it gets dirty during future use, you can remove stains with water or a specialized cleaner.

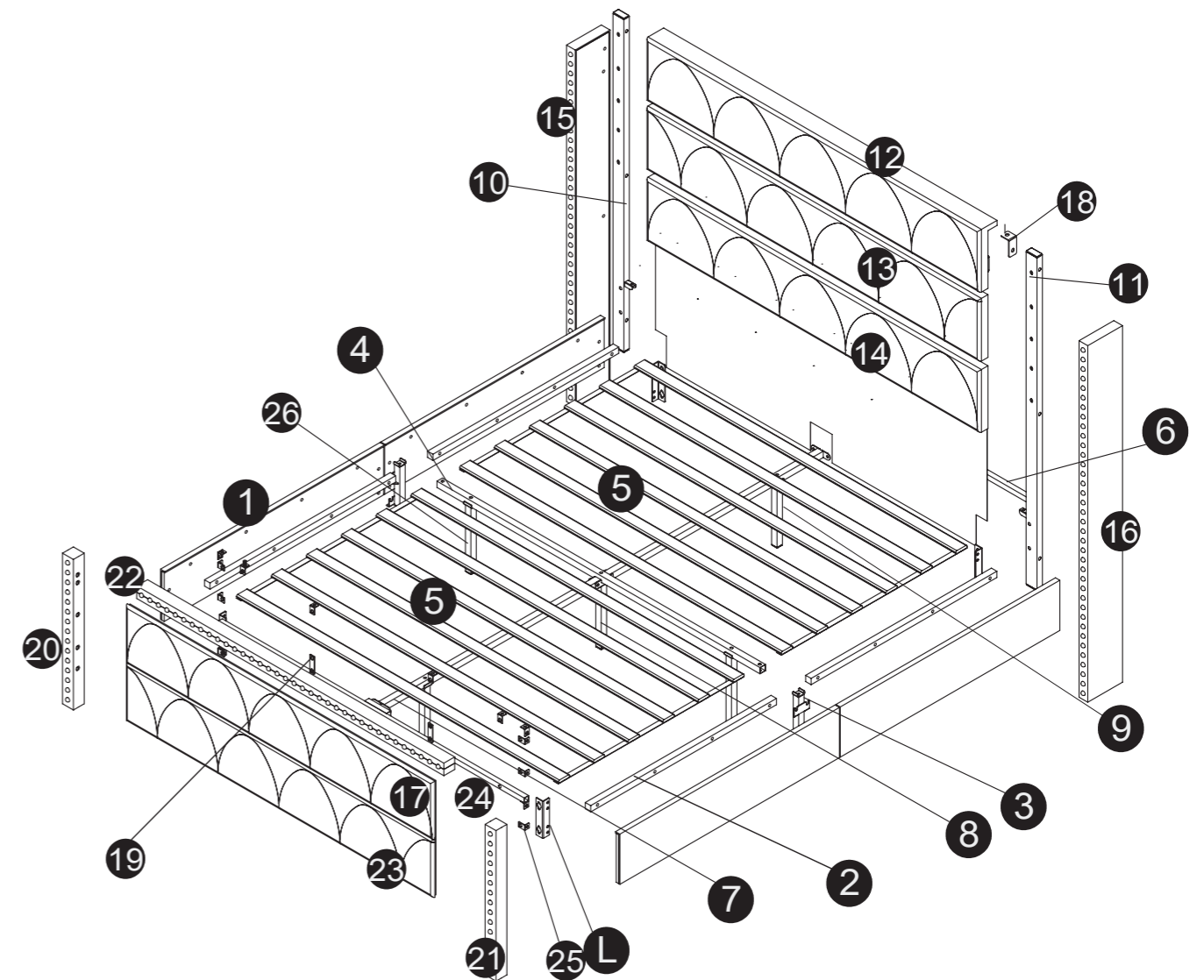
**✓ CHECK ALL PARTS**

**Are you missing anything?**

Double-check that all parts, hardware, and accessories listed on Pages 3 and 4 are accounted for. We can send any missing parts.

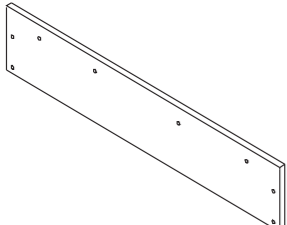


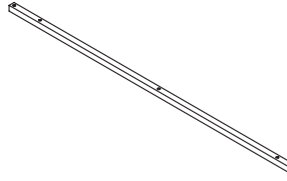
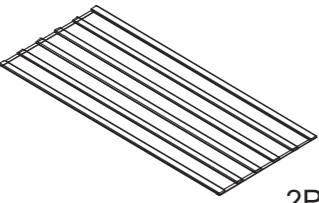
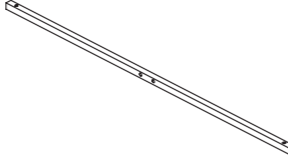
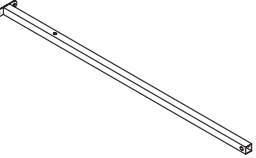
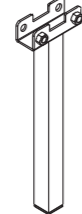

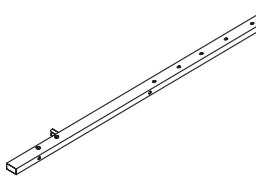
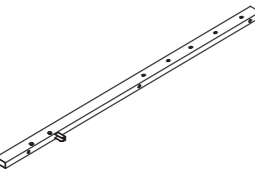
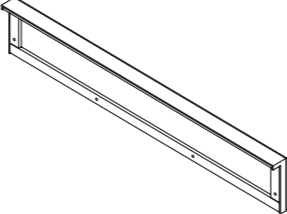
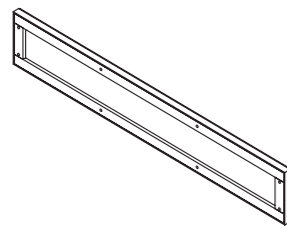
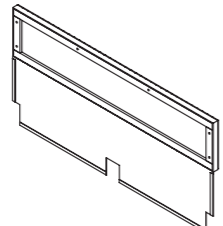
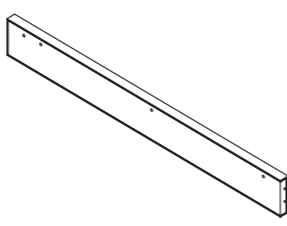
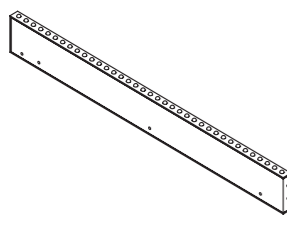
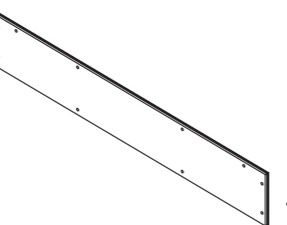
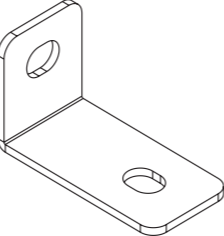
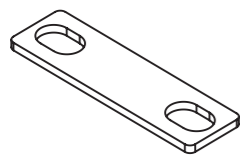
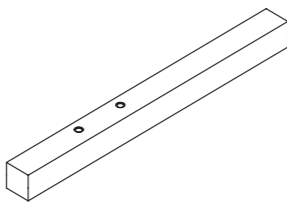
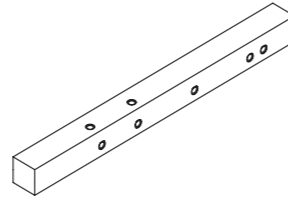
**Should we send any replacements?**

If there are any flaws in the parts, we can send replacements!

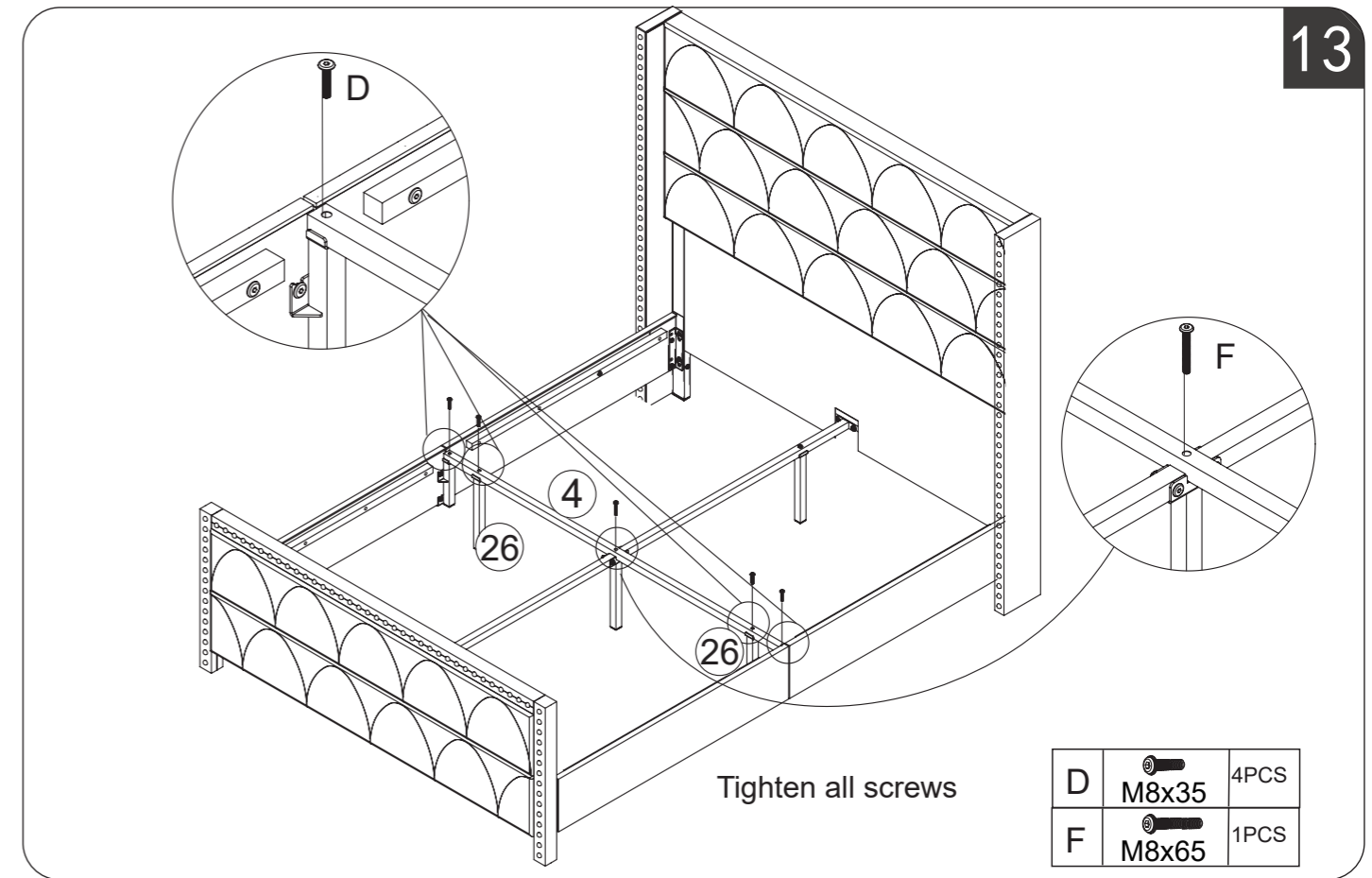


**PARTS LIST**

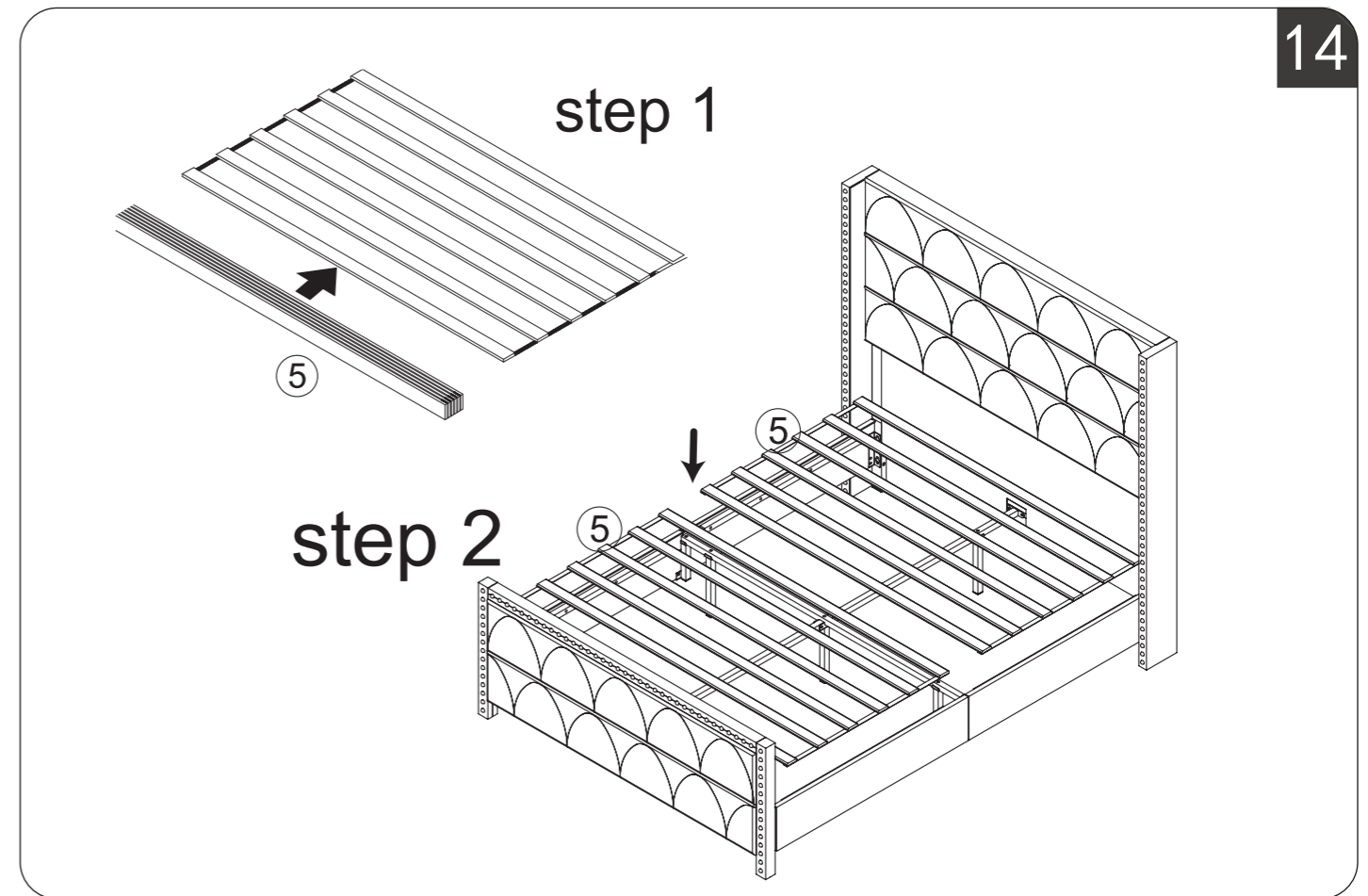
TIP: Grouping similar parts together can help you quickly find the correct piece.

<b>1</b>  4PCS	<b>2</b>  4PCS	<b>3</b>  2PCS
<b>4</b>  1PC	<b>5</b>  2PCS	<b>6</b>  1PC
<b>7</b>  2PCS	<b>8</b>  1PCS	<b>9</b>  2PCS
<b>10</b>  1PC	<b>11</b>  1PC	<b>12</b>  1PC
<b>13</b>  1PC	<b>14</b>  1PC	<b>15</b>  1PC
<b>16</b>  1PC	<b>17</b>  1PC	<b>18</b>  2PCS
<b>19</b>  6PCS	<b>20</b>  1PC	<b>21</b>  1PC

13



14



# ASSEMBLY INSTRUCTIONS

## PART 4: INSTALL AND CONNECT THE INNER FRAME

11

EVA side facing up

EVA side facing up

D	M8x35	2PCS
E	M8x45	2PCS

12

A

A

A	M8x14	4PCS
---	-------	------

# ASSEMBLY INSTRUCTIONS

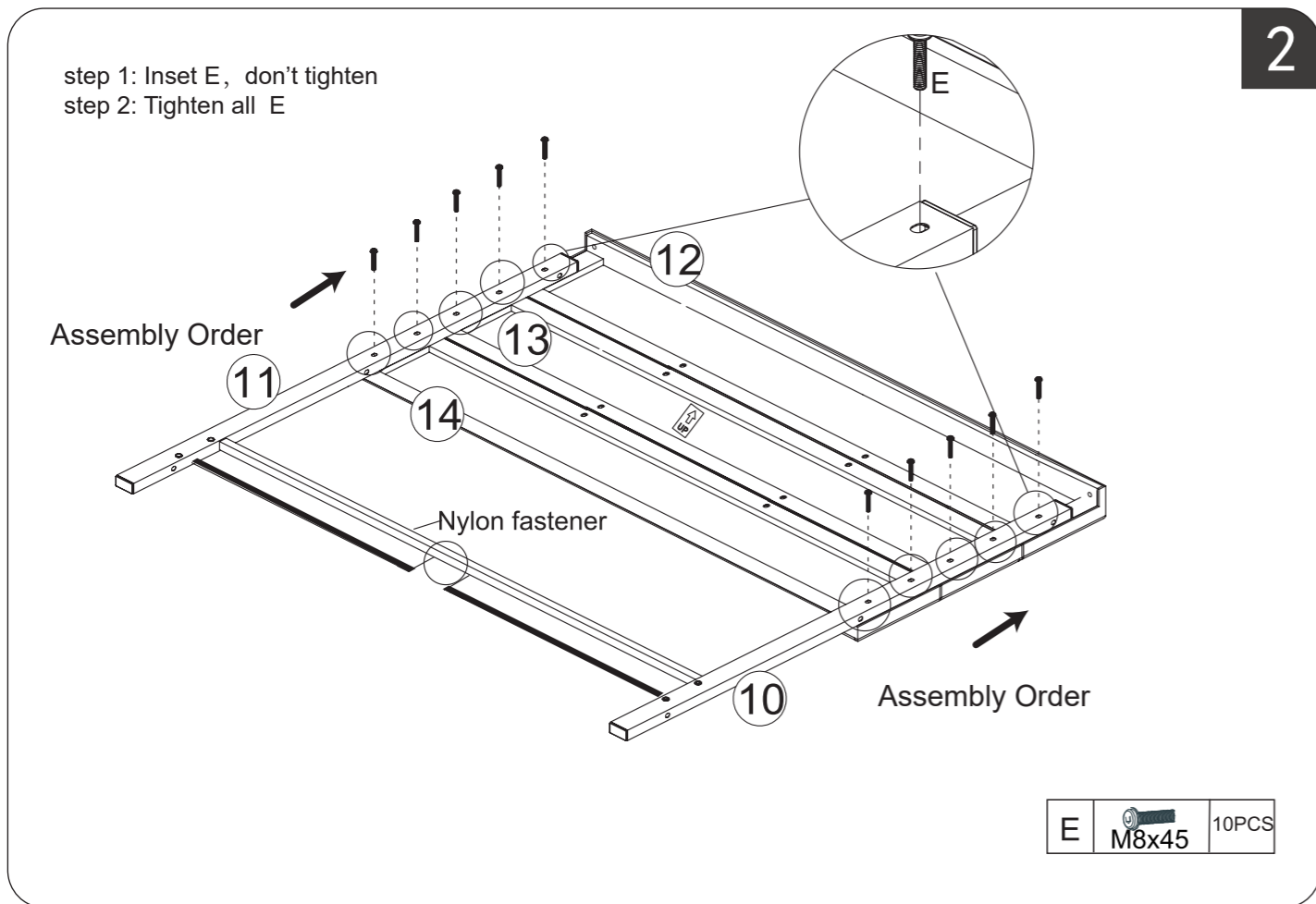
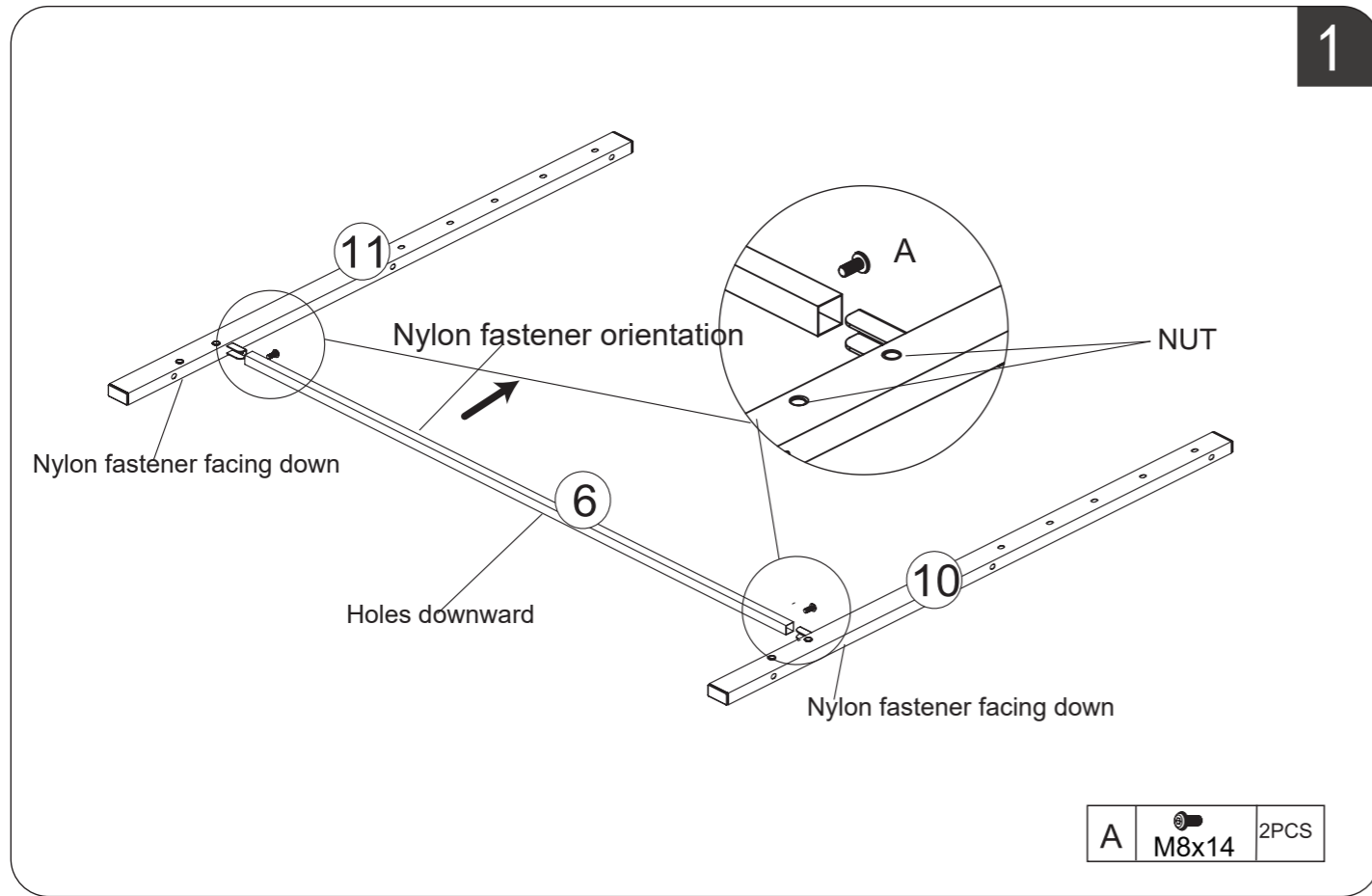
## PARTS LIST

<div style="font-size: 18px; font-weight: bold; border: 1px solid black; border-radius: 50%; width: 20px; height: 20px; display: flex; align-items: center; justify-content: center; margin: 0 auto;">22</div> <p style="text-align: right;">1PC</p>	<div style="font-size: 18px; font-weight: bold; border: 1px solid black; border-radius: 50%; width: 20px; height: 20px; display: flex; align-items: center; justify-content: center; margin: 0 auto;">23</div> <p style="text-align: right;">1PC</p>	<div style="font-size: 18px; font-weight: bold; border: 1px solid black; border-radius: 50%; width: 20px; height: 20px; display: flex; align-items: center; justify-content: center; margin: 0 auto;">24</div> <p style="text-align: right;">1PC</p>
<div style="font-size: 18px; font-weight: bold; border: 1px solid black; border-radius: 50%; width: 20px; height: 20px; display: flex; align-items: center; justify-content: center; margin: 0 auto;">25</div> <p style="text-align: right;">12PCS</p>	<div style="font-size: 18px; font-weight: bold; border: 1px solid black; border-radius: 50%; width: 20px; height: 20px; display: flex; align-items: center; justify-content: center; margin: 0 auto;">26</div> <p style="text-align: right;">2PCS</p>	

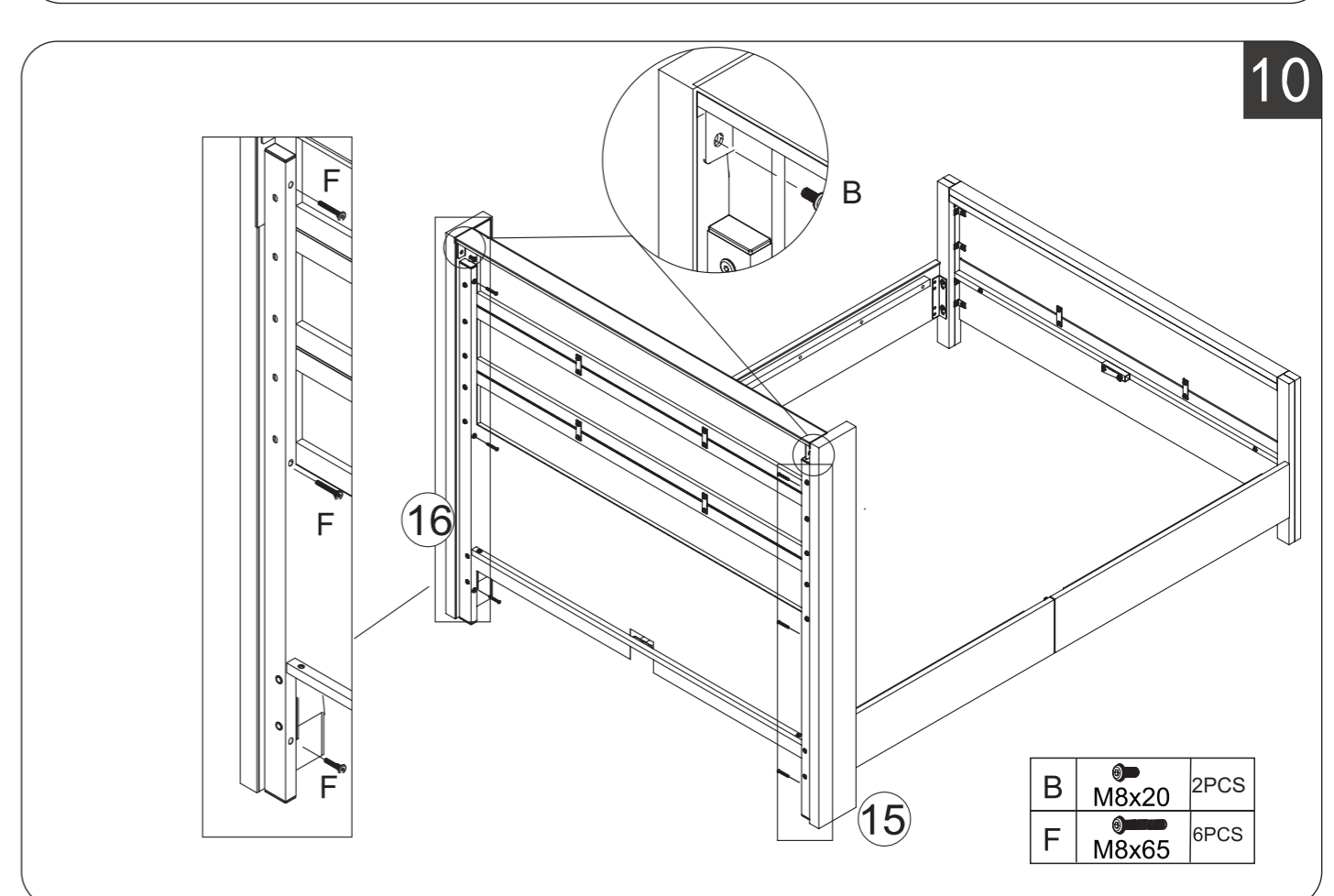
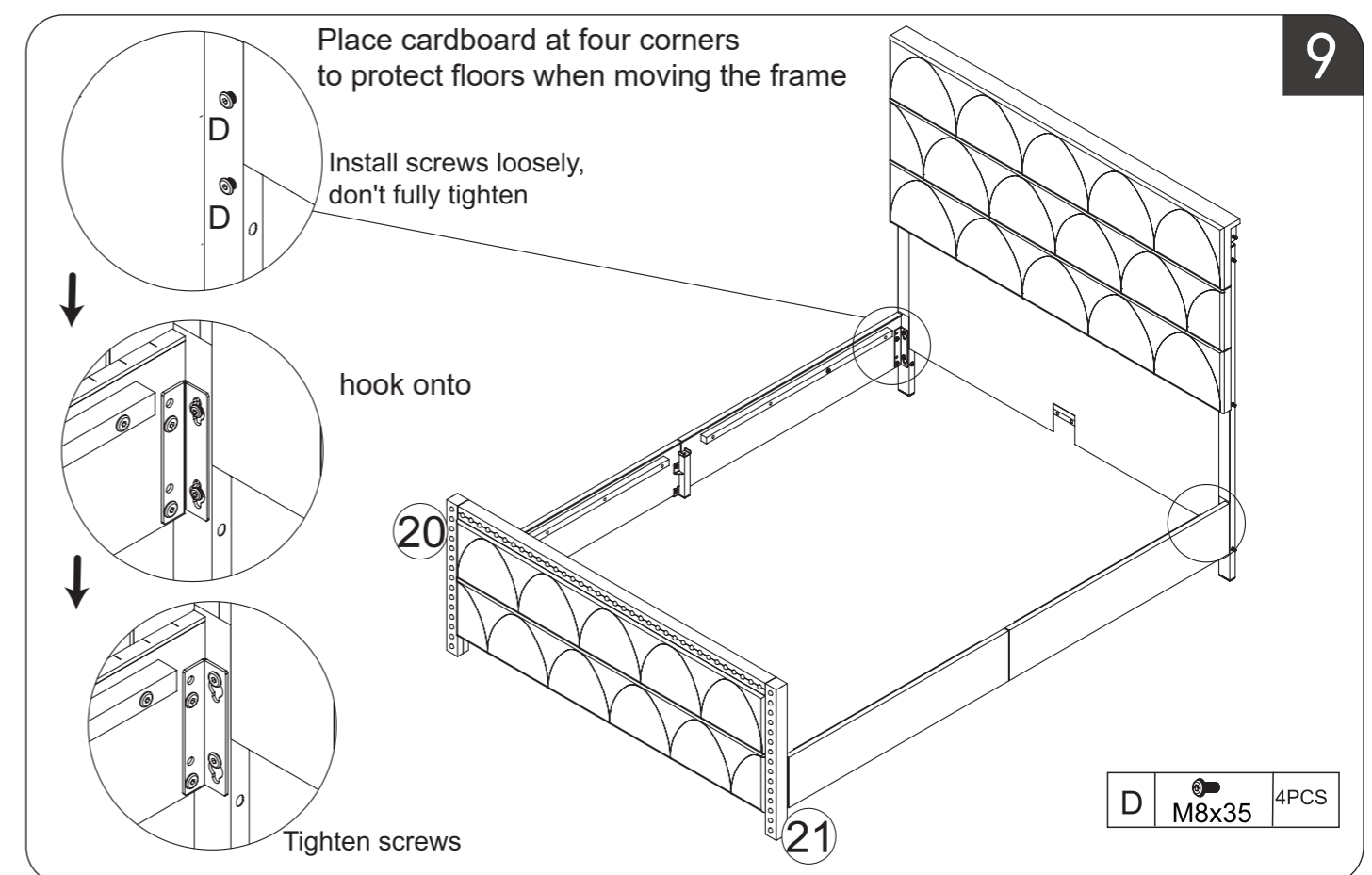
<div style="font-size: 18px; font-weight: bold; border: 1px solid black; border-radius: 50%; width: 20px; height: 20px; display: flex; align-items: center; justify-content: center; margin: 0 auto;">A</div> <p style="text-align: center;">M8x14</p> <p style="text-align: right;">36PCS</p>	<div style="font-size: 18px; font-weight: bold; border: 1px solid black; border-radius: 50%; width: 20px; height: 20px; display: flex; align-items: center; justify-content: center; margin: 0 auto;">B</div> <p style="text-align: center;">M8x20</p> <p style="text-align: right;">32PCS</p>	<div style="font-size: 18px; font-weight: bold; border: 1px solid black; border-radius: 50%; width: 20px; height: 20px; display: flex; align-items: center; justify-content: center; margin: 0 auto;">C</div> <p style="text-align: center;">M8x30 Colored Zinc</p> <p style="text-align: right;">2PCS</p>
<div style="font-size: 18px; font-weight: bold; border: 1px solid black; border-radius: 50%; width: 20px; height: 20px; display: flex; align-items: center; justify-content: center; margin: 0 auto;">D</div> <p style="text-align: center;">M8x35</p> <p style="text-align: right;">26PCS</p>	<div style="font-size: 18px; font-weight: bold; border: 1px solid black; border-radius: 50%; width: 20px; height: 20px; display: flex; align-items: center; justify-content: center; margin: 0 auto;">E</div> <p style="text-align: center;">M8x45</p> <p style="text-align: right;">12PCS</p>	<div style="font-size: 18px; font-weight: bold; border: 1px solid black; border-radius: 50%; width: 20px; height: 20px; display: flex; align-items: center; justify-content: center; margin: 0 auto;">F</div> <p style="text-align: center;">M8x65</p> <p style="text-align: right;">7PCS</p>
<div style="font-size: 18px; font-weight: bold; border: 1px solid black; border-radius: 50%; width: 20px; height: 20px; display: flex; align-items: center; justify-content: center; margin: 0 auto;">G</div> <p style="text-align: right;">1PC</p>	<div style="font-size: 18px; font-weight: bold; border: 1px solid black; border-radius: 50%; width: 20px; height: 20px; display: flex; align-items: center; justify-content: center; margin: 0 auto;">L</div> <p style="text-align: right;">4PCS</p>	<p style="text-align: right;">1PC</p>

# ASSEMBLY INSTRUCTIONS

## PART 1: INSTALL THE HEADBOARD



# ASSEMBLY INSTRUCTIONS



# ASSEMBLY INSTRUCTIONS

## PART 3: INSTALL AND CONNECT THE SIDE FRAMES

7

X2

A	M8x14	16PCS
D	M8x35	16PCS

# ASSEMBLY INSTRUCTIONS

3

Nylon fastener

Nylon fastener

18		2pcs
19		4PCS
B	M8x20	10PCS

Move the fabric on the Nylon fastener for fixing

## PART 2: INSTALL THE FOOTBOARD

8

hook onto

Tighten screws B

4

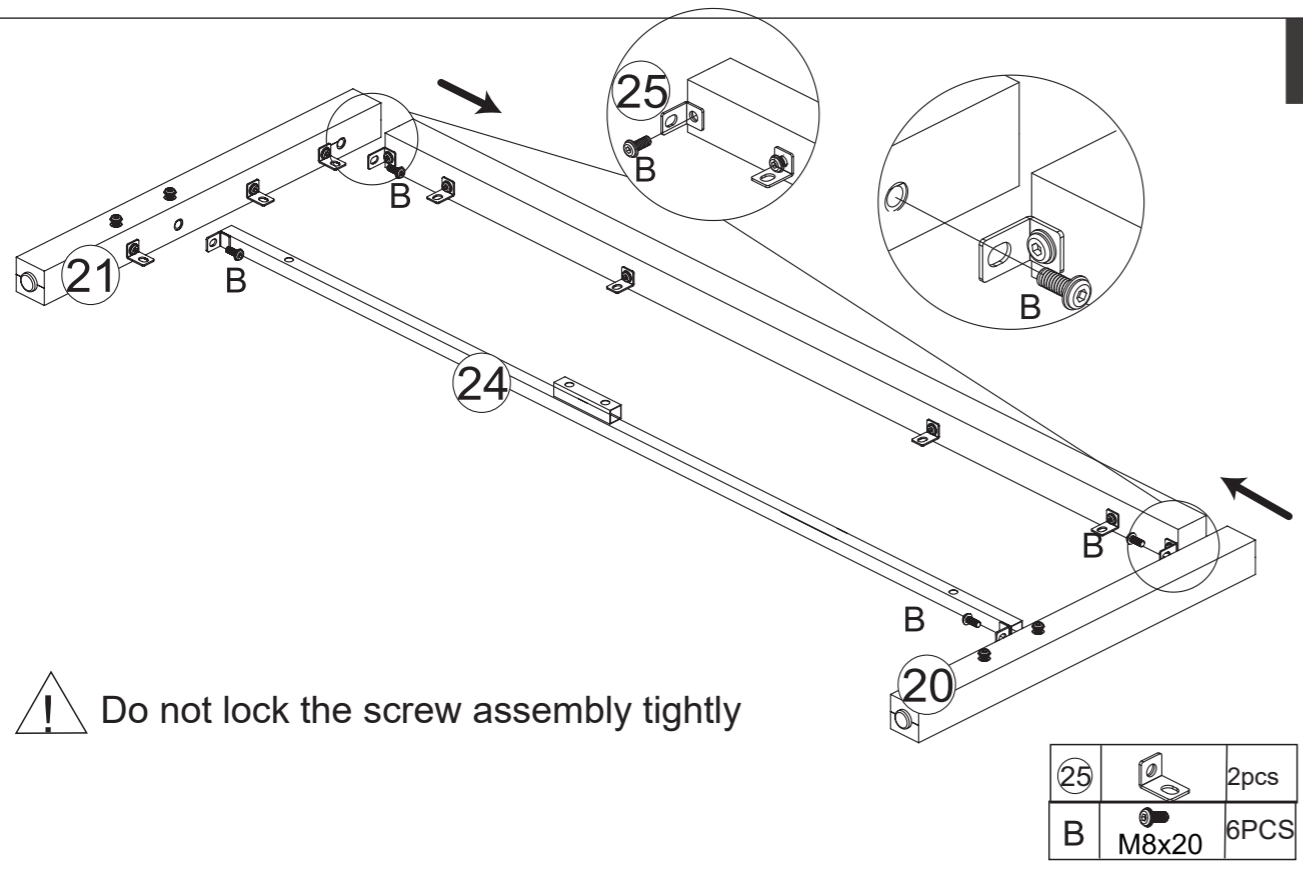
Don't fully lock, lock in step 8

attention direction

The bottom surface is a upholstery tacks

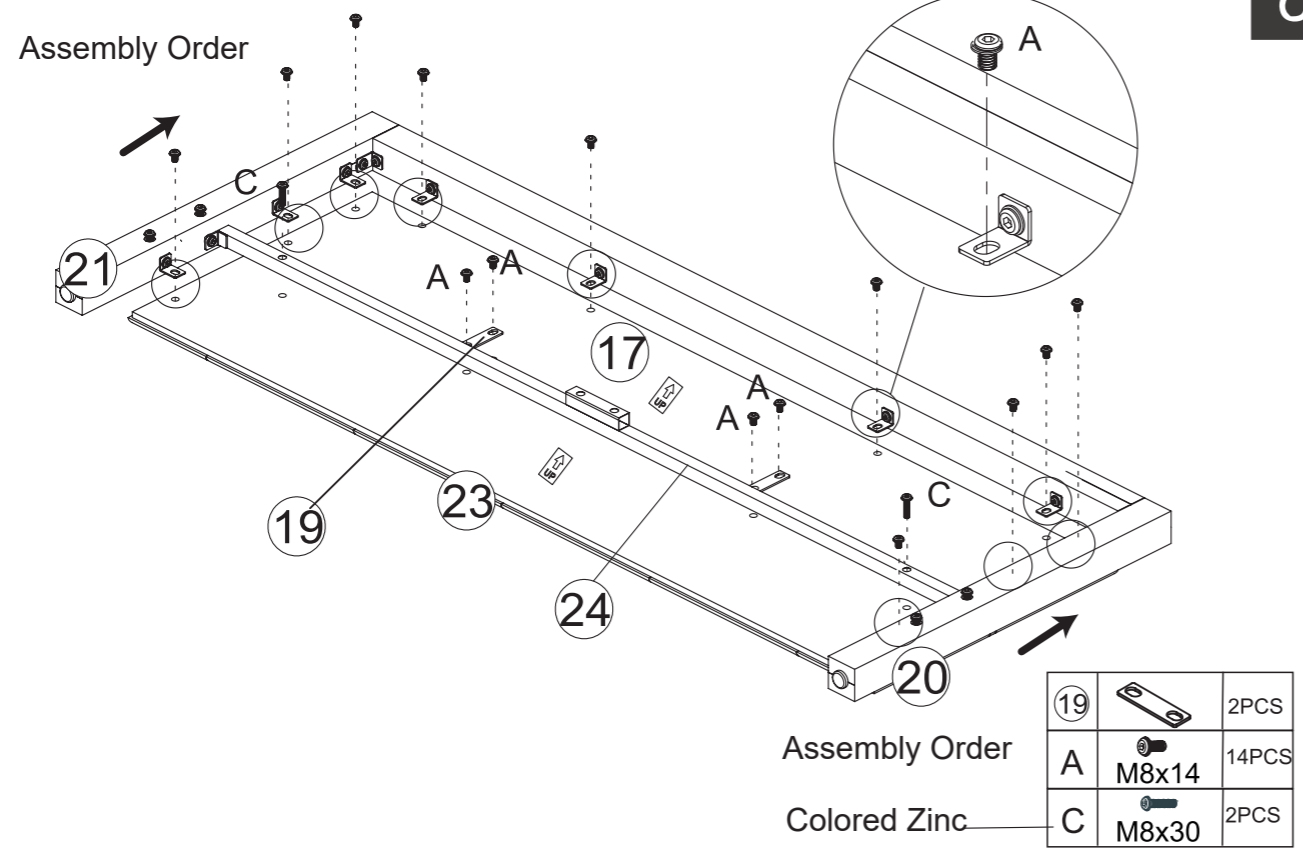
B	M8x20	14pcs
25		10pcs

5



⚠ Do not lock the screw assembly tightly

6



I bet you're feeling a bit tired now. You need a proper break. Stretch, drink some water, and rest for a bit before continuing. The next steps will be easier.

During this lovely break, why not browse through our store? We've got everything from sofa sets to sofa beds and loveseats. Take a peek and find the perfect pieces to match your living space— it could be just the inspiration you need!

