

# PROVINCETOWN

## 4-HOLE ROMAN TUB FAUCET AND HAND SHOWER

SKU: 948684



### FEATURES

Installation Type: Deck Mount  
Design: Modern  
Handle Type: Lever  
Tub Faucet Material: Brass  
Handle Material: Metal  
Hot and Cold Indicators: No  
Drain Included: No  
Ceramic Disc Cartridges: Yes  
4-Hole Installation  
Lift Rod Diverter to Handshower  
Handshower Includes Factory Installed  
Backflow Prevention Check Valve  
Optional Rough-In Valve

### CONTENTS

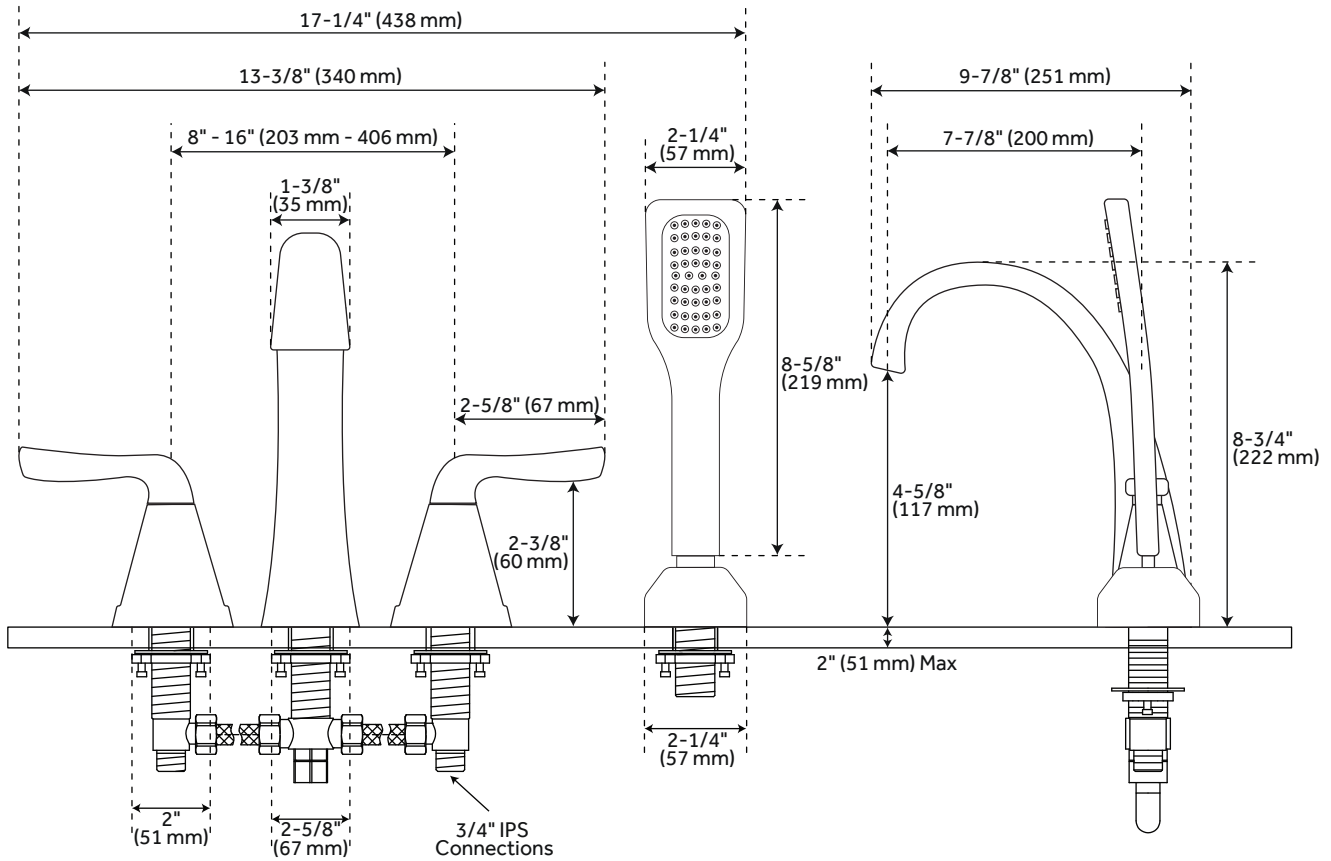
TUB FAUCET ..... PAGE 2  
ROUGH-IN VALVE ..... PAGE 3

REVISED 04/23/2021

# PROVINCETOWN

## 4-HOLE ROMAN TUB FAUCET AND HAND SHOWER

SKU: 948684



### FEATURES

- Faucet Centers: 8" to 16"
- Max. Deck Thickness: 2"
- Length: 17-1/4"
- Width: 9-7/8"
- Height: 8-3/4"
- Height to Spout: 4-5/8"
- Spout Reach: 7-7/8"
- Spout Width: 1-3/8"
- Hand Shower Hose Length: 61"
- Tub Spout Flow Rate:  
18.9 gpm (71.5 L/min) @ 80 psi
- Hand Shower Flow Rate:  
1.8 gpm (6.8 L/min) max @ 80 psi

### CODES/STANDARDS

- cUPC
- ASME A112.18.1/CSA B125.1
- ASME A112.18.3
- WaterSense
- CEC Listed
- Massachusetts Accepted

### PRODUCT IMAGE



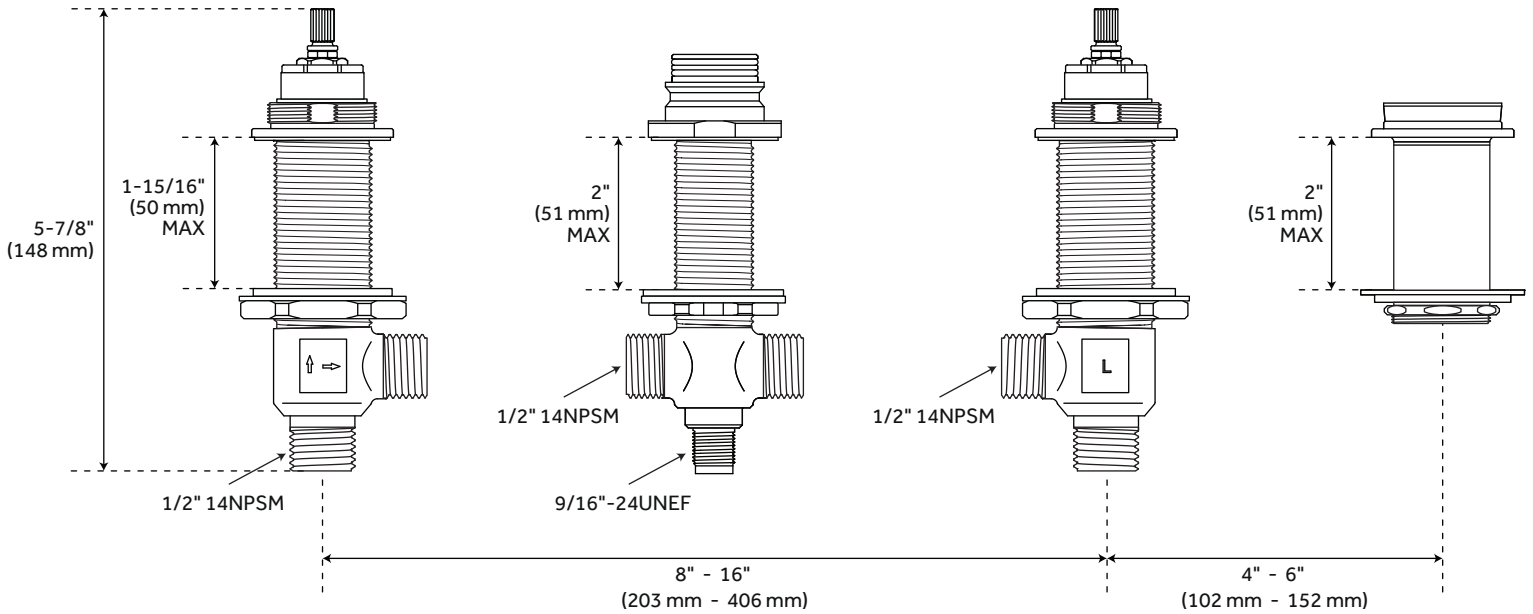
All dimensions and specifications are nominal and may vary. Use actual products for accuracy in critical situations.

PAGE 2  
Code: SHPR4RTG

# PROVINCETOWN

## OPTIONAL 4-HOLE ROMAN TUB FAUCET ROUGH-IN VALVE

SKU: 948684



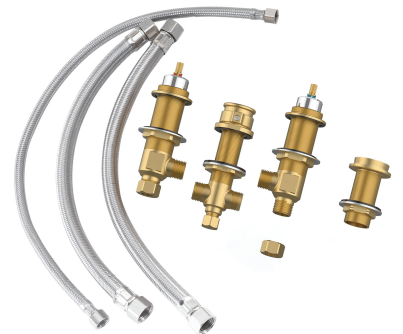
### FEATURES

Installation Type: Deck Mount  
Material: Brass  
Ceramic Disc Cartridges: Yes  
Brass Coupling Nut  
Test Cap Included  
Faucet Centers: 8" to 16"  
Max. Deck Thickness: 2"  
Flow Rate: 8 gpm @ 20 psi

### CODES/STANDARDS

cUPC  
ASME A112.18.1/CSA B125.1  
ANSI A117.1 (when installed  
according to ADA standards)  
Massachusetts Accepted

### PRODUCT IMAGE



All dimensions and specifications are nominal and may vary. Use actual products for accuracy in critical situations.

PAGE 3  
Code: SH674164