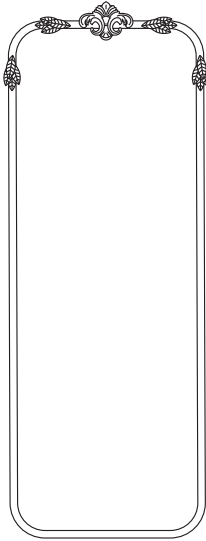


MIRROR

Assembly Instructions - Please keep for future reference

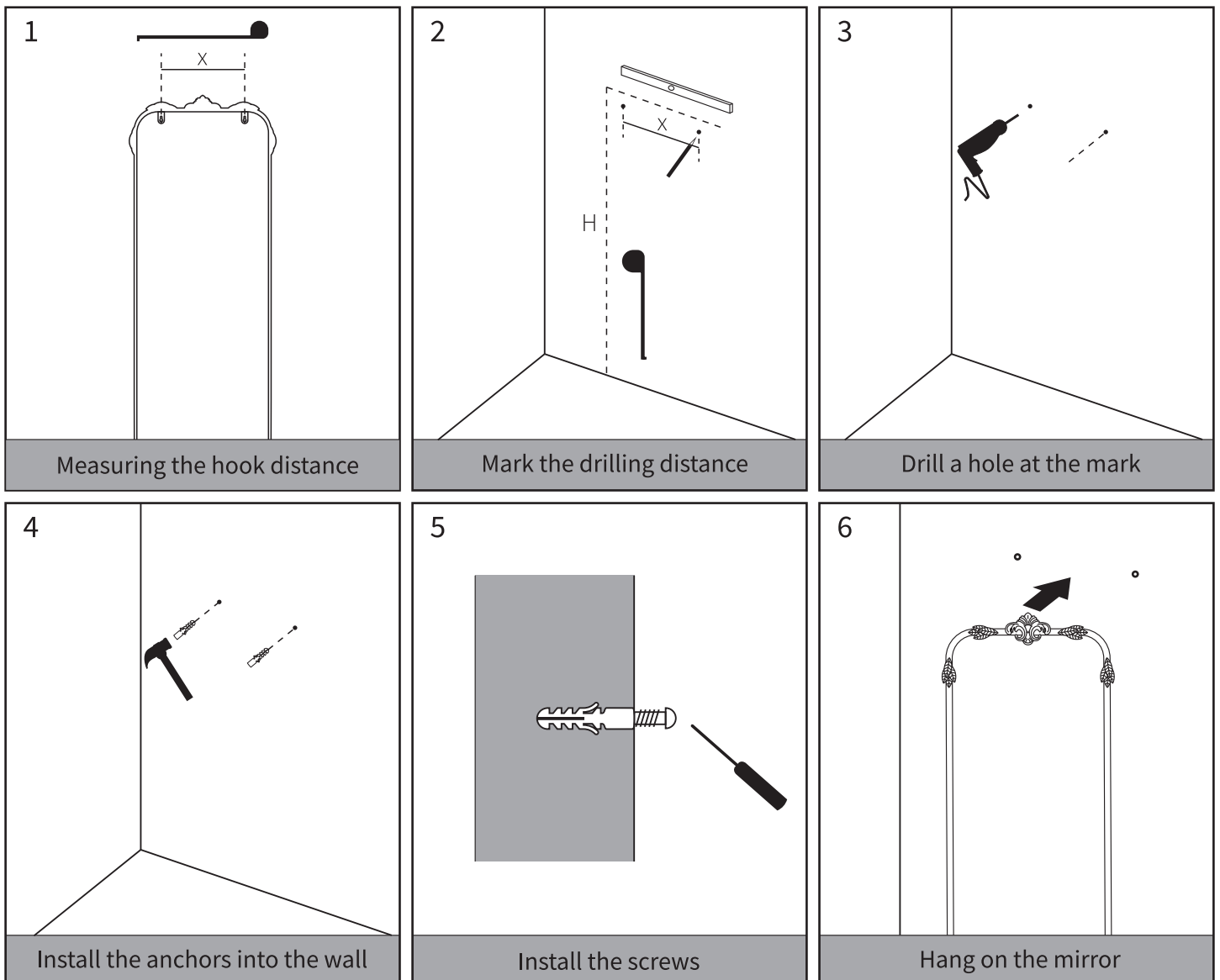
Item No.: 30007



IMPORTANT SAFTY NOTICE - READ CAREFULLY BEFORE ASSEMBLY

- Always use propre tools.
- The mounting hardwares are NOT included.
- Please make sure the kind of wall and purchase the RIGHT hardwares.
- Please check with your hardware vendor for the weight capacity of the screws.
- Periodicall check to ensure that all hardwares are right.

Wall-Mounted



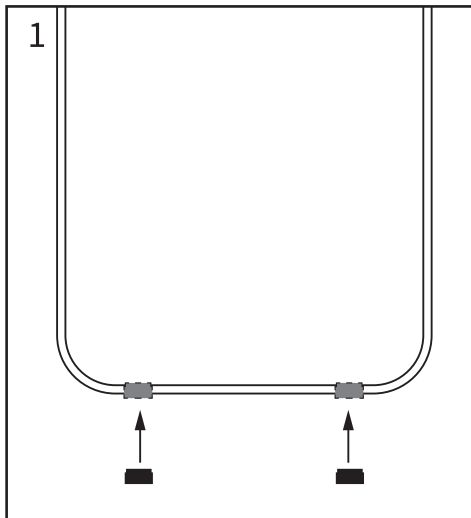
Important - Please read this instructions before assembly

MIRROR

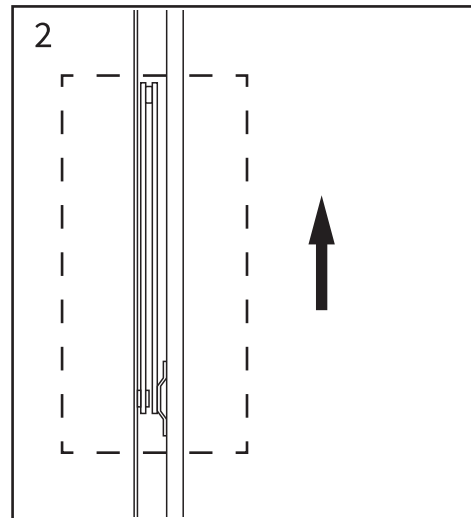
Assembly Instructions - Please keep for future reference

Item No.: 30007

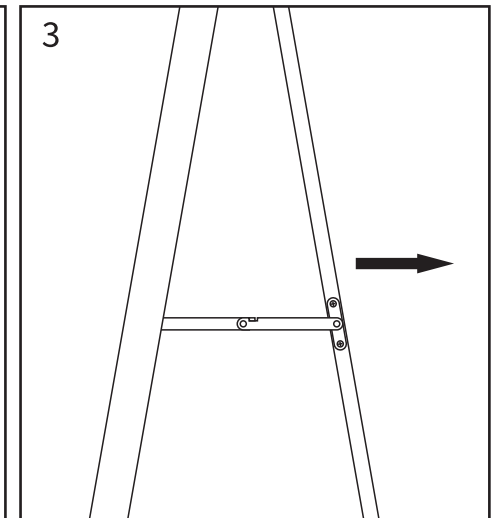
Floor-Standed



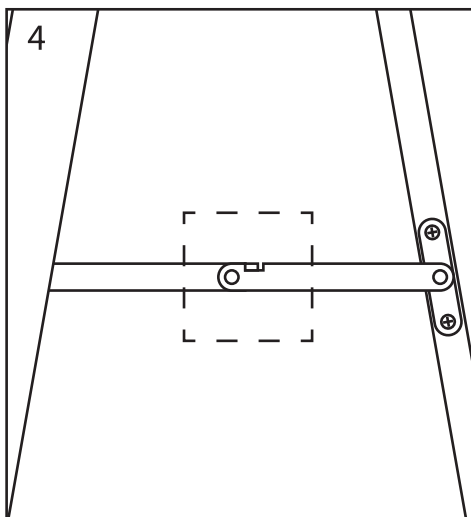
Install the anti-slip pad on the stand



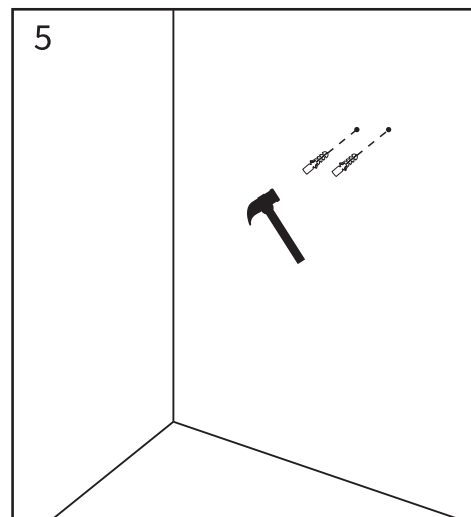
Ensure the Pull Rod is placed upward



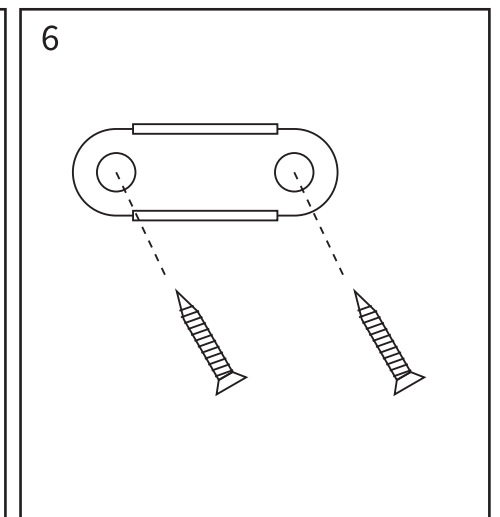
Open the mirror stand



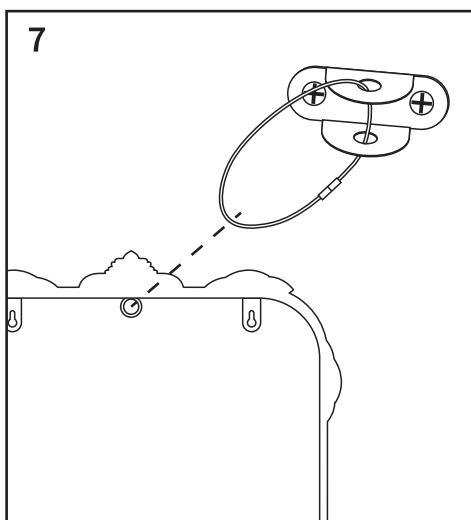
Ensure the Rod is fully extended



Install the anchors into the wall



Install the anti-fall device on the wall



Thread the steel wire rope through the hole and tighten it



CAUTION - IMPORTANT SAFTY NOTICE:

When you choose to place the mirror on the floor, please ensure:

1. The anti-slip pad is properly installed.
2. The pull rods are fully extended.
3. The anti-fall device is securely fastened on the wall.
4. Check the steel wire is locked in place.

CAUTION: Avoid pinching injuries when opening the pull rods.

Important - Please read this instructions before assembly