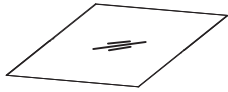







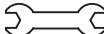

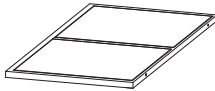

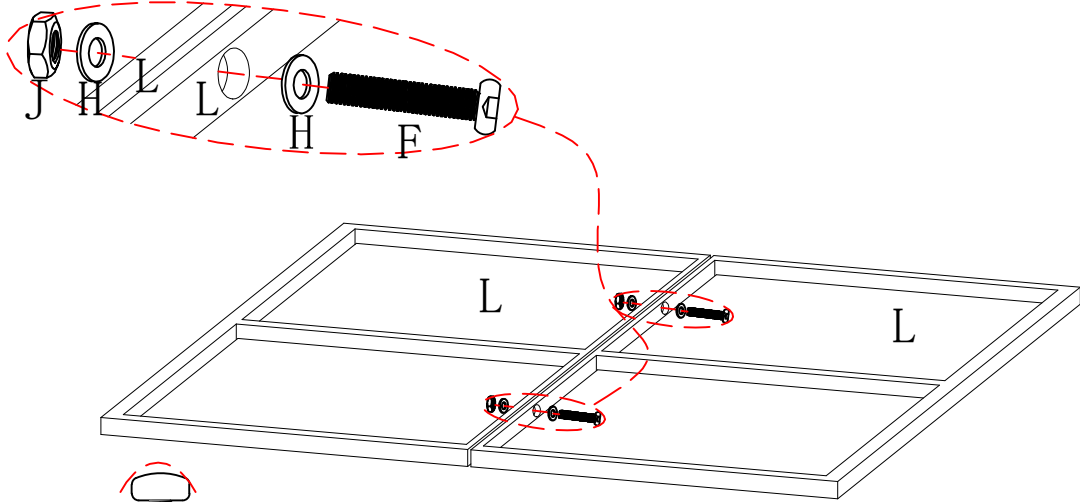


# Parts List

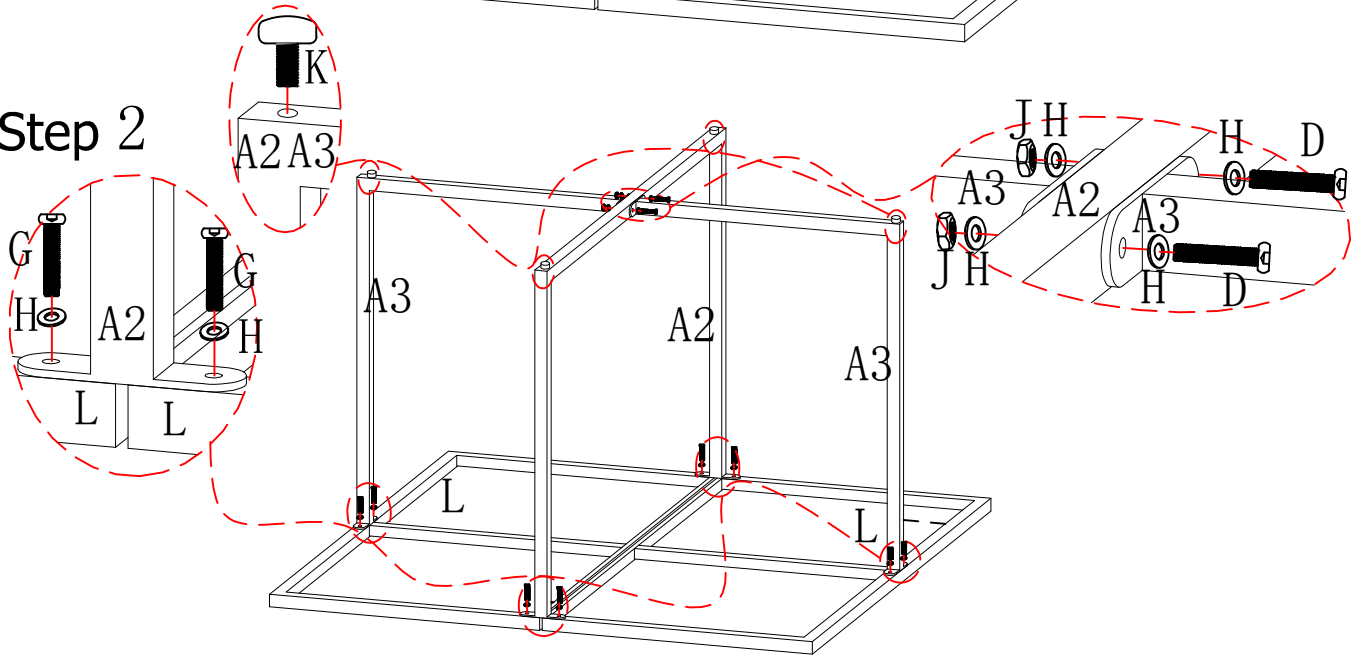
NO.	PARTS	Q' TY	NO.	PARTS	Q' TY
A1		4PCS	A2		1PCS
A3		2PCS	D	 M6*45L	2PCS
F	 M6*35L	2PCS	G	 M6*20L	8PCS
J		4PCS	H		16PCS
N		1PCS	K		4PCS
L		2PCS	O		1PCS

# ASSEMBLY STEPS

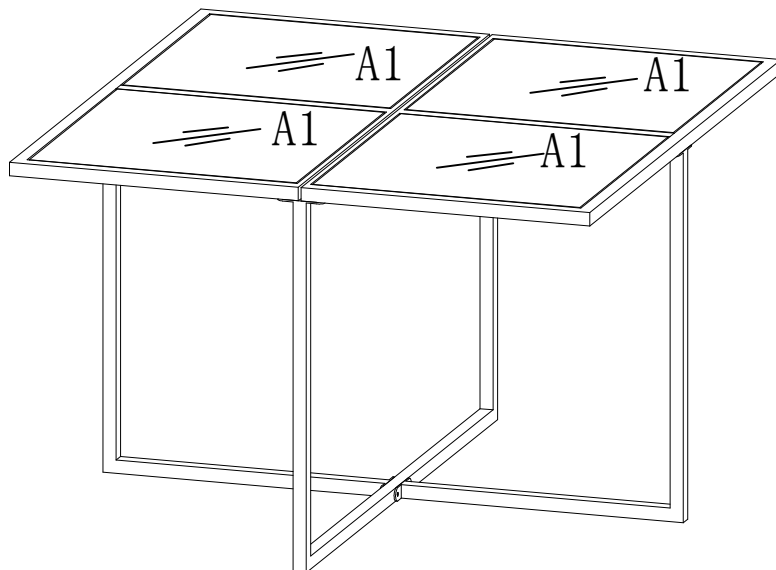
Step 1



Step 2



Step 3



A\*1PC