




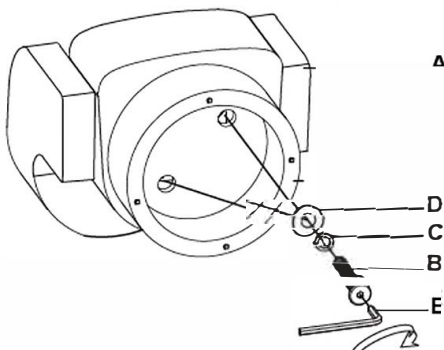
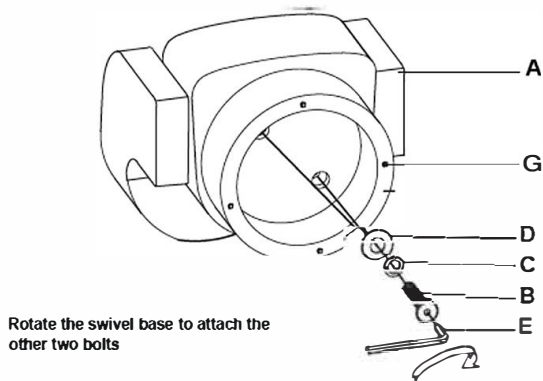
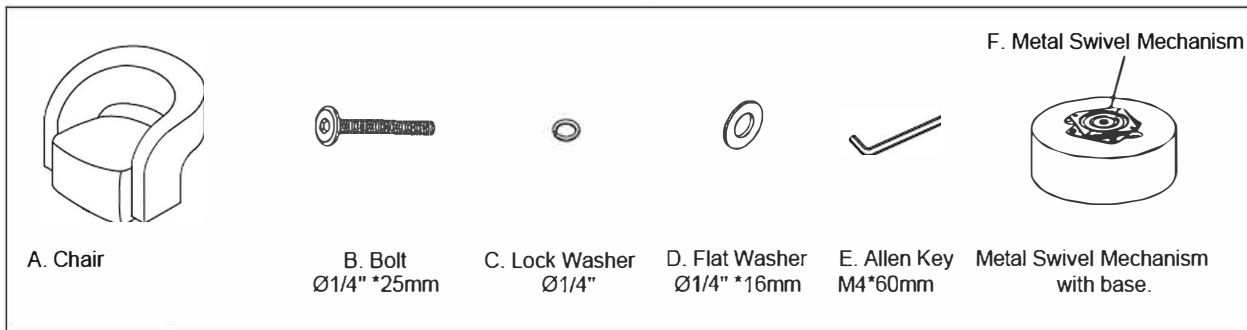
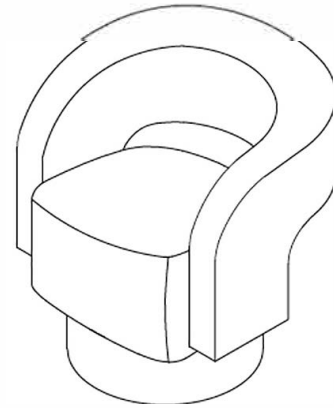


# ASSEMBLY INSTRUCTIONS & PARTS IDENTIFICATION SUTTON SWIVEL ACCENT CHAIR

Parts List			
ITEM	Code	Description	Qty
A	 SUTTONP57	Metal Swivel	1 PC
G	SUTTONP01F	Floor Glide	4 PCS
<b>Hardware Kit (SUTTONSWP46)</b>			
B		Bolt Ø1/4"x25mm	4 PCS
C		Lock Washer Ø1/4"	4 PCS
D		Flat Washer Ø1/4"	4 PCS
E		Allen Key	1 PC



### **Assembly Steps:**

- Step 1. Turn Chair (A) over on a clean flat surface.
- Step 2. Remove hardware bag from the Swivel Base of the chair.
- Step 3. Turn Swivel Mechanism (F) over on a clean flat surface.
- Step 4. Attach Swivel Mechanism (F) to Chair (A) by using a Bolt (B), Lock Washer (C), and Flat Washer (D). Align all the four bolts as shown in the diagram first. Once all the bolts are in place fully tighten the bolts with the Allen Key (E).
- Step 5. Turn chair to its upright position.

### **Fabric maintenance:**

Avoid direct sunlight, water, oil, acid, sharp object etc. Use vacuum cleaner to clean. Clean only with water-based shampoo or foam upholstery cleaner. Do not over wet. Do not use solvents to spot clean. Pile fabrics may require brushing to restore appearance. Fabric content: 100% polyester. Cleaning code: W