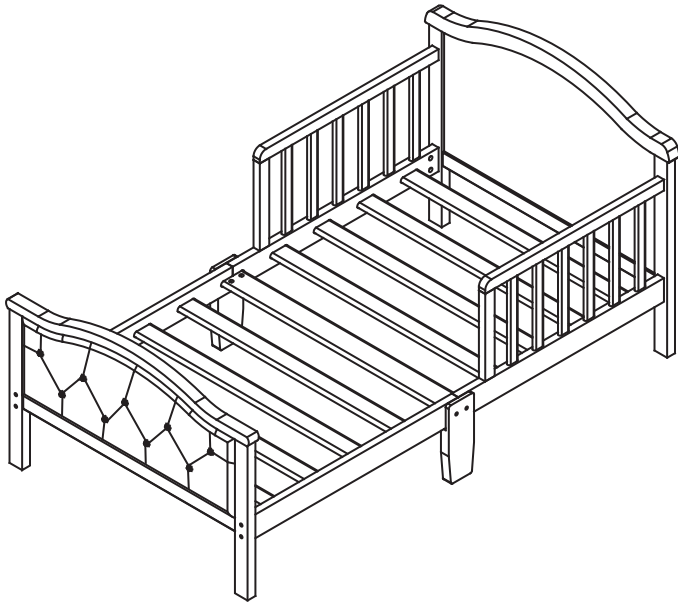




**CERTIFIED**

AN INDEPENDENT TESTING  
LABORATORY VALIDATES  
THE MANUFACTURER'S  
CERTIFICATION OF THIS  
TODDLER BED TO ASTM F-1821

# TODDLER BED



## ASSEMBLY INSTRUCTIONS

**READ ALL INSTRUCTIONS BEFORE ASSEMBLING.**

**SAVE INSTRUCTIONS FOR FUTURE USE.**

**CAREFULLY REMOVE AND LAY OUT ALL PARTS. FAMILIARIZE YOURSELF WITH ALL DIAGRAMS TO FACILITATE THE ASSEMBLY OF YOUR BED.**

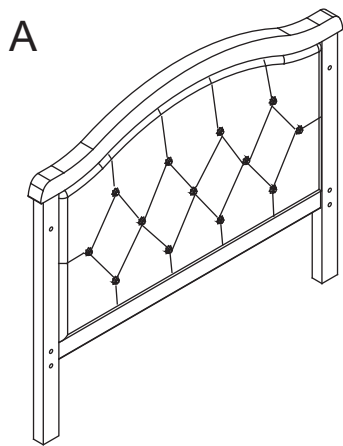
**CHECK PARTS AND THE ENCLOSED HARDWARE BAG WITH THE HARDWARE LIST TO BE SURE ALL ARE INCLUDED AND QUANTITIES ARE CORRECT. DESTROY CARDBOARD AND PLASTIC BAGS IMMEDIATELY.**

**ATTENTION: IN ORDER TO PROPERLY ASSEMBLE THE BED, FOLLOW THE INSTRUCTIONS IN THE SPECIFIED ORDER. FAILURE TO ASSEMBLE THE TODDLER BED IN THE MANNER RECOMMENDED COULD MAKE THE TODDLER BED HAZARDOUS.**

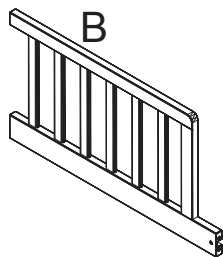


# WARNING !

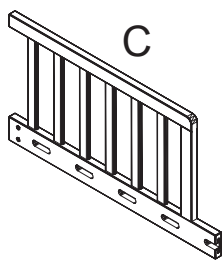
- FAILURE TO FOLLOW THESE WARNINGS AND THE ASSEMBLY INSTRUCTIONS COULD RESULT IN SERIOUS INJURY OR DEATH.
- READ ALL INSTRUCTIONS BEFORE ASSEMBLING BED. KEEP INSTRUCTIONS FOR FUTURE USE.
- UPON COMPLETION OF ASSEMBLY, MAKE SURE ALL SCREWS, BOLTS AND FASTENERS HAVE BEEN SECURELY TIGHTENED.  
A FREQUENT AND PERIODICALLY CHECK SHOULD BE MADE TO CONFIRM ALL THE SCREWS AND NUTS REMAIN TIGHT.
- NEVER USE THIS PRODUCT IF THERE ARE ANY LOOSE, MISSING FASTENERS, LOOSE JOINTS, BROKEN PARTS, OR TORN MESH/FABRIC.
- NEVER SUBSTITUTE PARTS, THE PRODUCT INCLUDING SIDE RAILS, MUST BE FULLY ERECTED PRIOR TO USE.
- NEVER USE BED FOR INFANTS, THIS TODDLER BED IS NOT A SUBSTITUTE FOR A CRIB, THE TODDLER BED IS USED FOR A CHILD BETWEEN THE AGE OF 15 MONTHS TO 5 YEARS WITH A MAXIMUM WEIGHT OF 50 POUNDS (22.7KG).
- NEVER USE PLASTIC SHIPPING BAG OR OTHER PLASTIC FILM AS A MATTRESS COVERS NOT SOLD AND INTENDED FOR THAT PURPOSE, THEY CAN CAUSE SUFFOCATION.
- CAUTION ENTRAPMENT HAZARD: TO AVOID DANGEROUS GAPS, ANY MATTRESS USED IN THIS BED SHALL BE FULL SIZE CRIB MATTRESS AT LEAST 51-58 IN (1310MM) IN LENGTH, 27-1/4 IN (690MM) IN WIDTH AND 4 IN (100MM) IN THICKNESS, OR GREATER, BUT NOT EXCEED 5 IN.
- NEVER USE A WATER MATTRESS WITH THIS TODDLER BED.
- WARNING STRANGULATION HAZARD: STRINGS CAN CAUSE STRANGULATION! NEVER PLACE BED NEAR WINDOW WHERE CORDS FROM BLINDS OR DRAPES MAY STRANGLE A CHILD. NEVER SUSPEND STRINGS OVER BED.  
NEVER PLACE ITEMS WITH A STRING CORD, OR RIBBON, SUCH AS HOOD STRINGS, PACIFIER CORDS AROUND A CHILD'S NECK. THESE ITEMS MAY CATCH ON BED PARTS.
- WARNING: INFANTS HAVE DIED IN TODDLER BEDS FROM ENTRAPMENT. OPENINGS IN AND BETWEEN BED PARTS CAN ENTRAP HEAD AND NECK OF A SMALL CHILD. NEVER USE BED WITH CHILDREN UNDER 15 MONTHS. ALWAYS FOLLOW THE ASSEMBLY INSTRUCTIONS.
- TO REDUCE THE RISK OF SIDS, PEDIATRICIANS RECOMMEND HEALTHY INFANTS BE PLACED ON THEIR BACK TO SLEEP, OR ADVISED BY YOUR PHYSICIAN.
- DO NOT USE BED IF THE SPACE BETWEEN BED AND SOLID OBJECTS IS LESS THAN 12 IN (31CM), A CHILD COULD SLID INTO THE SPACE AND SUFFOCATE.
- IF REFINISHING, USE A NON-TOXIC FINISH SPECIFIED FOR CHILDREN'S PRODUCTS.  
TO WASH, CLEAN WITH MILD SOAP AND DAMP CLOTH.  
TO STORE, PLEASE KEEP IN A COOL PLACE.



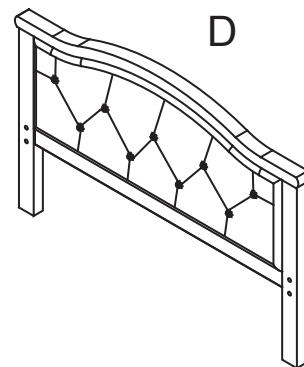
A: Head board (1PC)



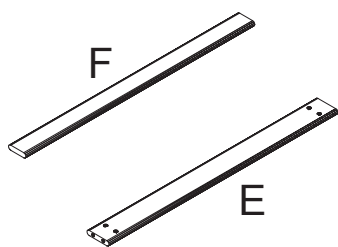
B: Left guard rail (1PC)



C: Right guard rail (1PC)

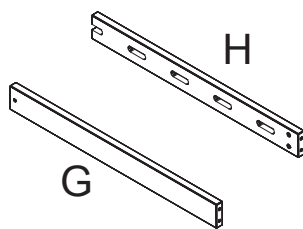


D: Foot board (1PC)



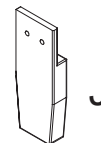
E: Middle mattress base slat (1PC)

F: Mattress base slat (8PCS)

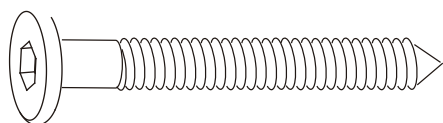


G: Left rail (1PC)

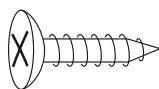
H: Right rail (1PC)



J: Split leg (2PCS)



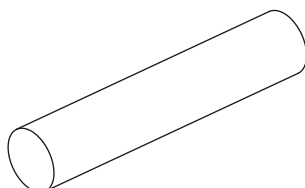
a: 2-2/5" Allen head bolts (14pcs)



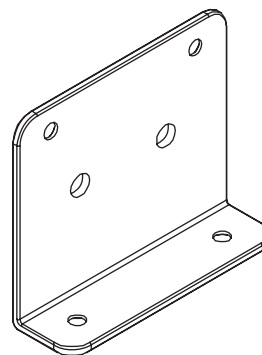
b: 3/5" Selfdrilling screws (8 pcs)



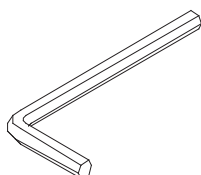
c: Barrel nuts (14 pcs)



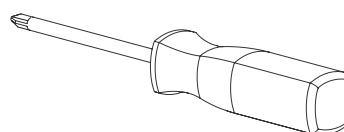
d: 2-2/5" Wood dowels (4 pcs)



e: L metal plates (2 pcs)

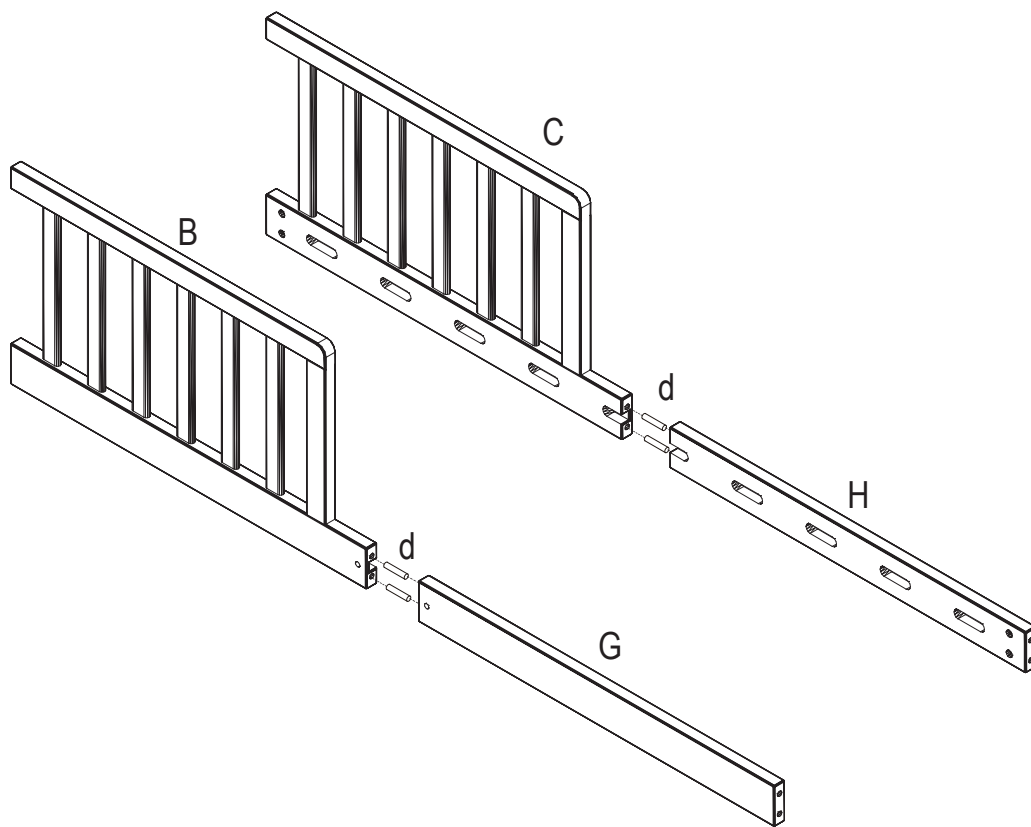


f: Allen wrench (1 pc)



**PHILLIPS-HEAD SCREWDRIVER REQUIRED FOR ASSEMBLED---NOT INCLUDE**

## STEP 1

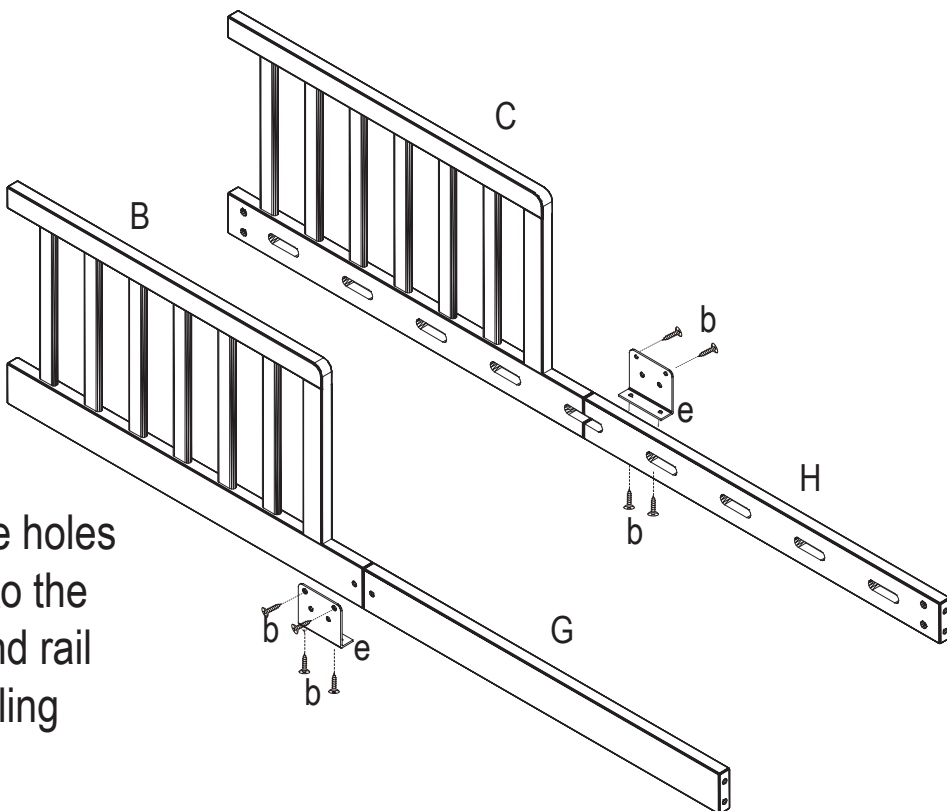


Connect the left rail (B) to the left rail (G) by wood dowels (d).  
Connect the right rail (C) to the right rail (H) by wood dowels (d).

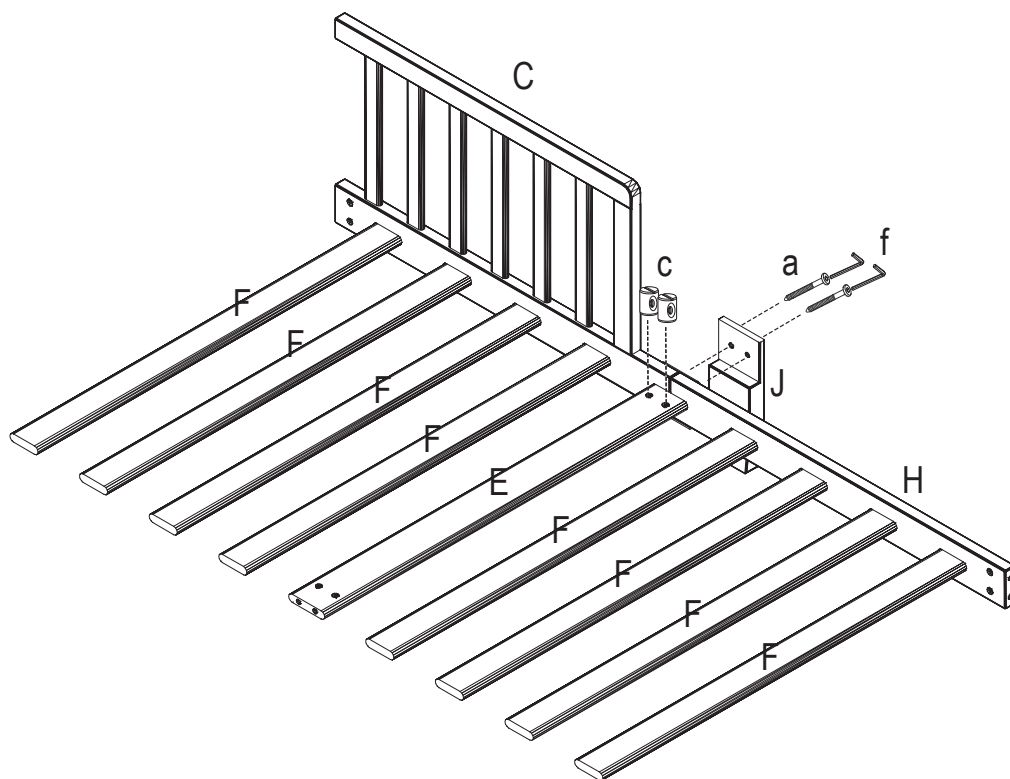
## STEP 2

Connect the guard rail (B&C) to the rail (G&H) by L metal plate (e) and selfdrilling screw (b).

NOTE: When attaching the L metal plate (e), make sure the holes on the L metal plate (e) match to the holes on the guard rail (B&C), and rail (G&H). Then tighten the self-drilling screw (b).

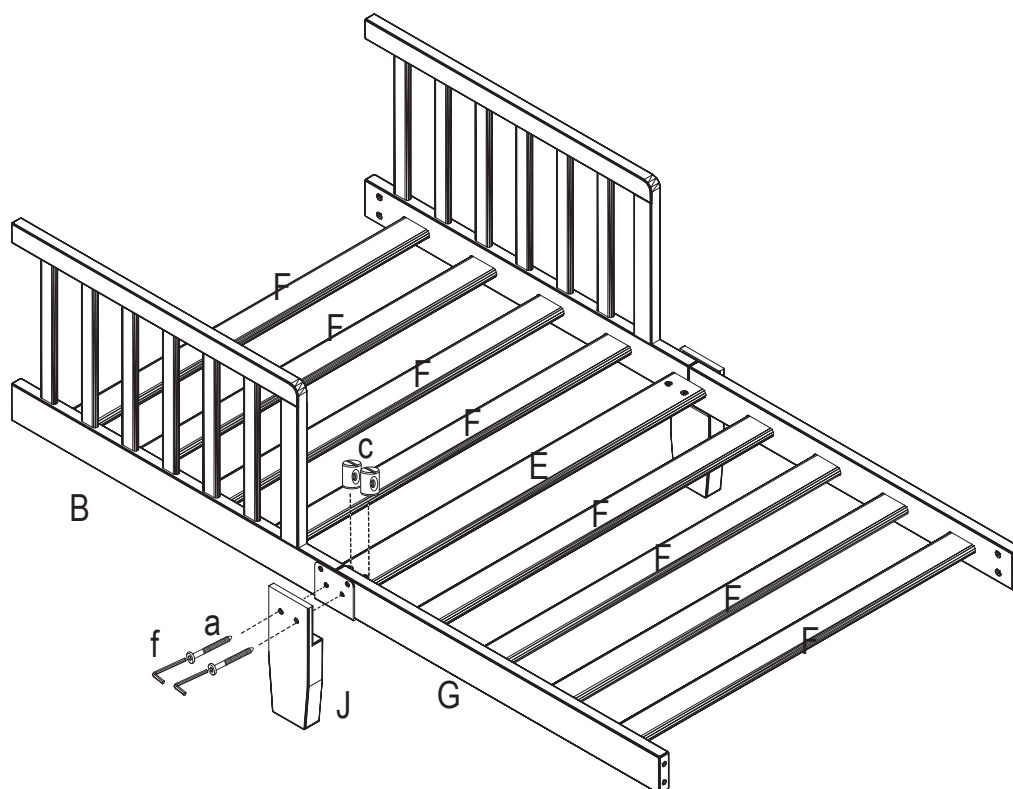


## STEP 3



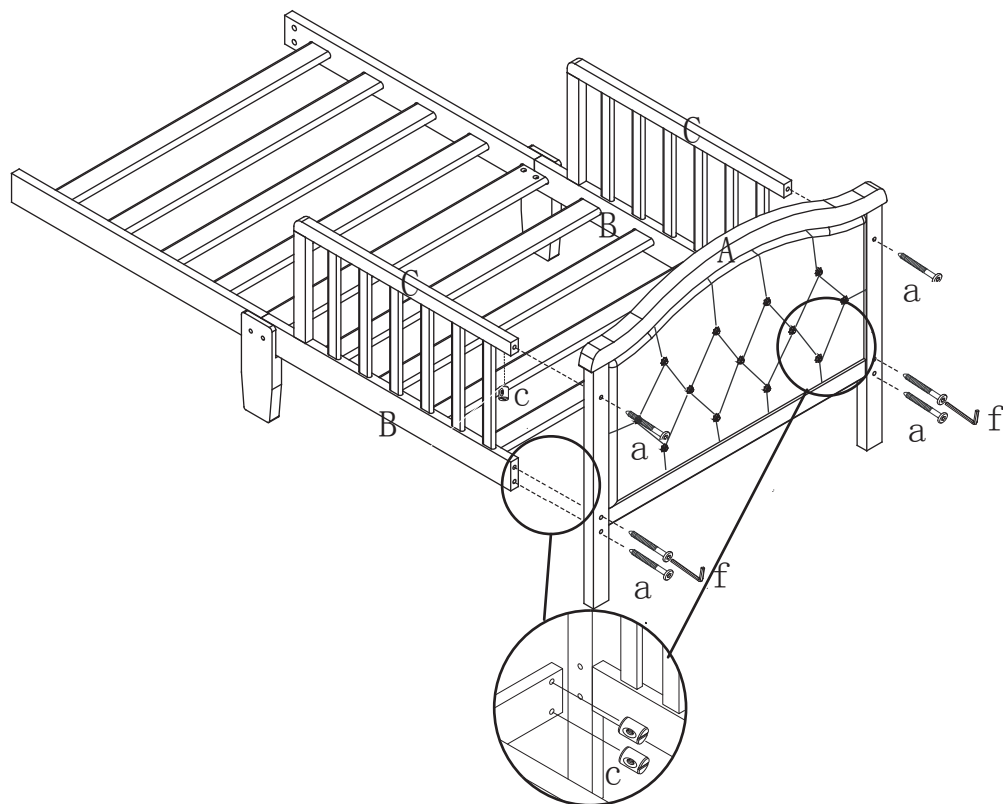
Insert the middle mattress base slat (E) and mattress base slat (F) to the right guard rail (C) and right rail (H) , then attach the split legs (J) to the middle mattress base slat (E) by bolts (a) and barrel nuts (c) .

## STEP 4



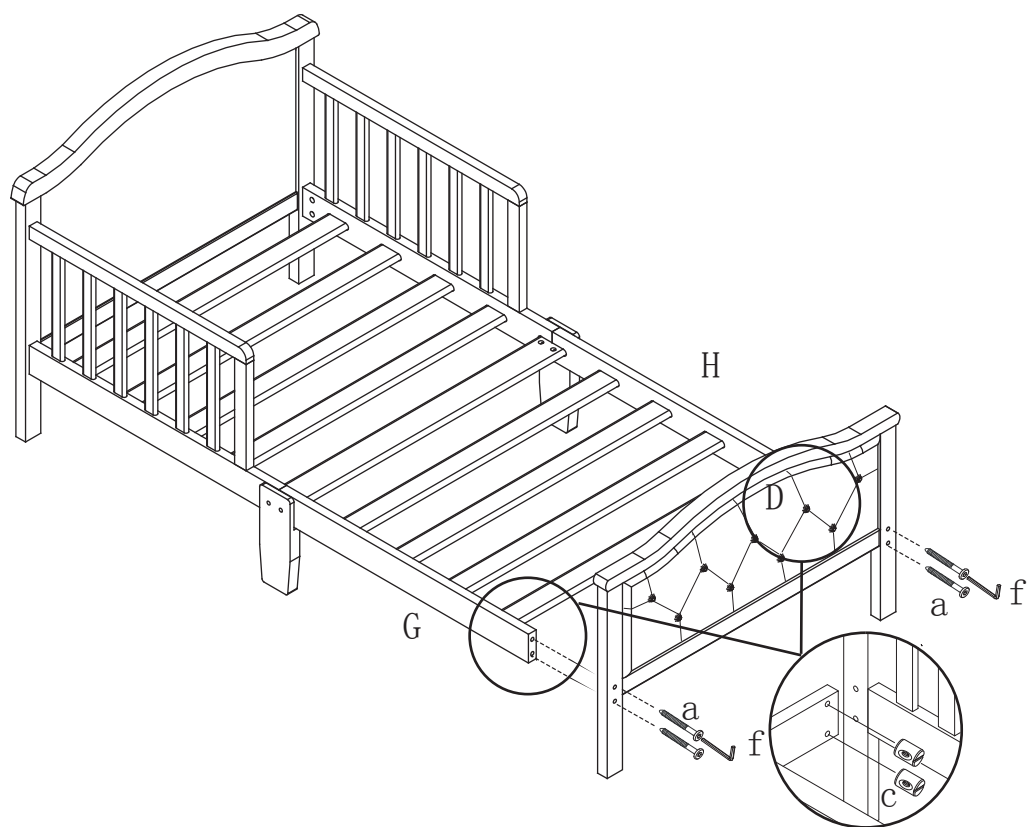
Insert the middle mattress base slat (E) and mattress base slat (F) to the left guard rail (B) and left rail (G) , then attach the split legs (J) to the middle mattress base slat (E) by bolts (a) and barrel nuts (c) .

## STEP 5



Connect the head board (A) to the left guard rail (B) and right guard rail (C) using bolts (a) and barrel nuts (c).

## STEP 6



Connect the left rail (G) and the right rail (H) to the foot board (D) by using bolts (a) and barrel nuts (c) .

**CONGRATULATIONS:** Your toddler bed is successfully assembled.

