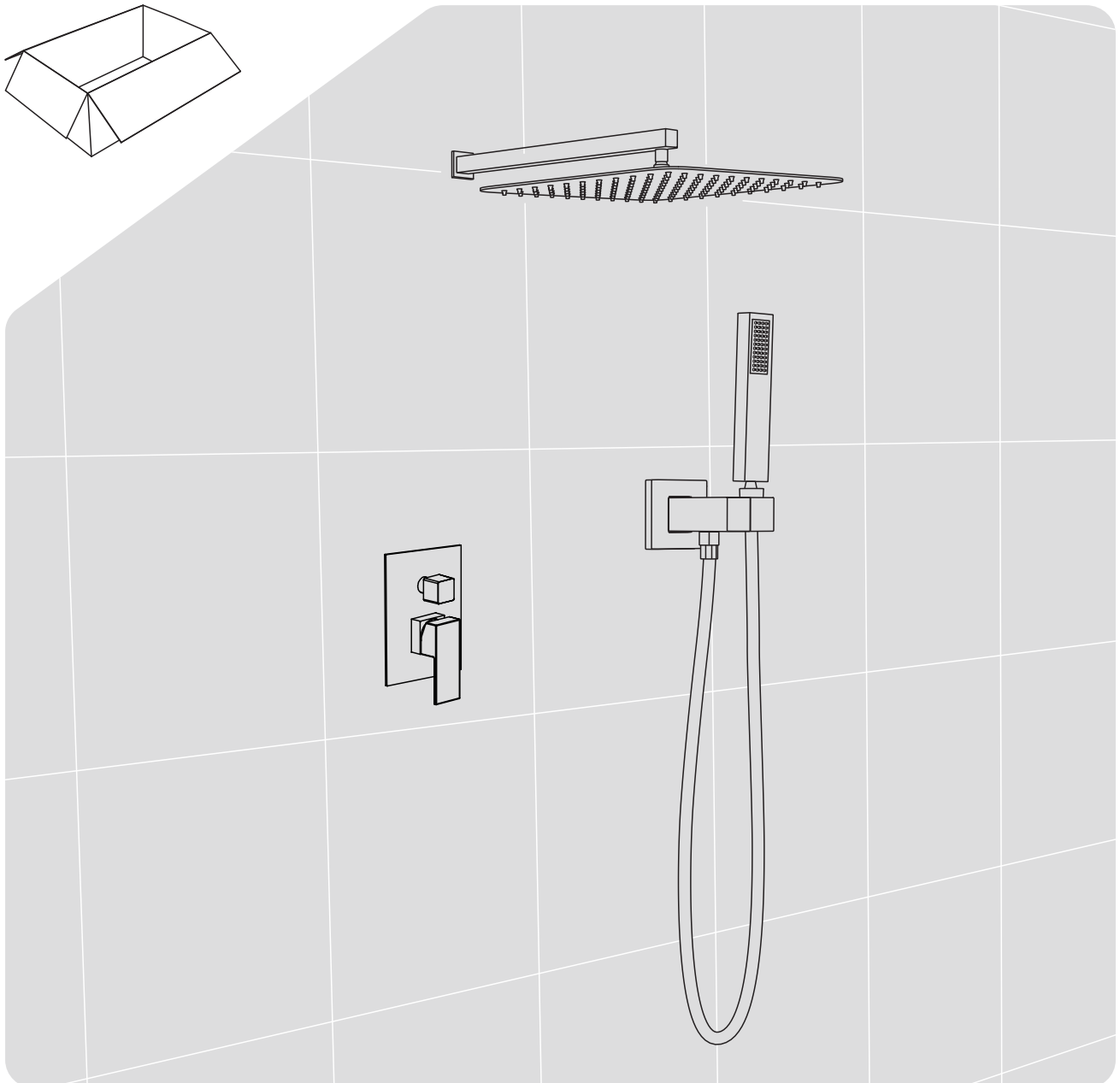




INSTALLATION MANUAL SHOWER SYSTEM

Please contact us if you have any problem about our shower system
Ph: (+1) 347-289-3016 /GMT-5 9:30AM-6:30PM



CONTENTS

1.Product List	01
2.Certificate display interface	02
3.Dimensions	03
4.Precautions before installation	06
5.Installation of the main body.....	08
6.Installation of top spray and shower	14
7.Daily care of the product	18

This product is dedicated to your health, make your life more comfortable, perfect and fashionable.

All information is written based on the latest published product information to write the characteristics, packaging or product types.

The manual includes important contents about installation, maintenance and cleaning. Please give these materials to users for reading.

Unboxing Checklist

When unboxing your new shower head, please ensure that all the following components are included. If any items are missing, contact our customer service for assistance.

Included Components:

- **Shower Head:** The main unit that will be attached to your shower arm.
- **Hose:** Flexible hose for connecting the shower head to the water supply.
- **Mounting Bracket:** The bracket used to hold the shower head in place.
- **Rubber Washers:** Small rubber rings used to ensure watertight connections.
- **Installation Wrench:** Tool to help tighten connections during installation.
- **User Guide:** This manual, providing instructions for installation, operation, and maintenance.

1



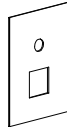
Handle *1

2



Knob Handle *1

3



Panel for Valve Control *1

4



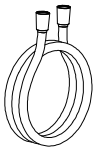
Pressure Balancing Valve *1

5



Hand Shower Holder *1

6



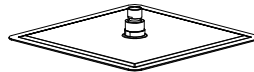
Flexible Shower Hose *1

7



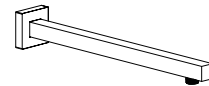
Hand Shower *1

8



Shower head *1

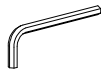
9



Shower arm *1

10

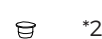
Accessories



*1



*1



*2



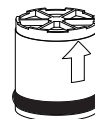
*4



*4



*1



*1

Instructions

- **Open the Box Carefully:** Avoid using sharp objects that could damage the components.
- **Check Each Component:** Verify that all the items listed above are present.
- **Inspect for Damage:** Ensure that none of the components are damaged or defective.
- **Contact Customer Service:** If any parts are missing or damaged, contact customer service at [customer service email/phone number] for replacements.

Following this checklist will help ensure a smooth installation process for your new shower head.

Certificate display interface

IAPMO RESEARCH AND TESTING, INC.
5001 E. Philadelphia Street, Ontario, CA 91761 • Phone (909) 472-4100 • Fax (909) 472-4244 • www.iapmo.org



CERTIFICATE OF LISTING

Issued To:
HESHAN RIFENG HARDWARE TECHNOLOGY CO., LTD.
AREA B,DONGXU DEVELOPMENT ZONE ZHISHAN TOWN, HESHAN JIANGMEN , GUANGDONG, CHINA

Product:
Plumbing Fixture Fittings

Products are in compliance with the following code(s):
Uniform Plumbing Code (UPC®)
National Plumbing Code of Canada

Products are certified to the following standard(s):
ASME A112.18.1-2018/CSA B125.1-18

File Number: 14358
Effective Date: July 2023
Void After: July 2028*





**This certificate is not evidence of current listing. To verify listing status, visit the IAPMO R&T Product Listing Directory at pld.iapmo.org*

This listing posted is based upon the test data of the models indicated on the Effective Date and Void After Date shown above. Any change in material, manufacturing process, marking or design without having first obtained the approval of the Product Certification Committee, or any evidence of non-compliance with applicable codes and standards or of inferior workmanship, may be deemed sufficient cause for revocation of this listing. Production of or reference to this form for advertising purposes may be made only by specific written permission of IAPMO Research and Testing, Inc. Any alteration of this certificate could be grounds for revocation of the listing. This document shall be reproduced in its entirety.

Page 1 of 6

IAPMO RESEARCH AND TESTING, INC.
CERTIFICATE OF LISTING



Issued To: HESHAN RIFENG HARDWARE TECHNOLOGY CO., LTD. Effective Date: July 2023
File Number: 14358
Product: Plumbing Fixture Fittings
Void After: July 2028

This certificate is not evidence of current listing. To verify listing status, visit the IAPMO R&T Product Listing Directory at pld.iapmo.org

Identification:
Plumbing supply fittings shall be marked with the manufacturer's recognized name, trademark, or other mark or, in the case of private labeling, the name, trademark or other mark of the customer for whom the fitting was manufactured. The marking shall be accomplished by use of a permanent mark or by placing a permanent label on the product. Markings on plumbing supply fittings shall be visible after installation.

Showerheads and hand-held showers shall be marked with the manufacturer's specified maximum flow rate, in L/min and gpm.

Kitchen, lavatory, and metering faucets shall be marked with the manufacturer's specified maximum flow rate, in L/min and gpm or L/cycle and gpc.

Single-handle and single-control bath and shower mixing valves shall have their temperature control settings identified alphabetically, numerically, or graphically.

High-efficiency commercial pre-rinse spray valves shall be marked with the manufacturer's specified maximum flow rate, in L/min (gpm).

Listed products shall bear the cUPC® certification mark.

Packaging for plumbing supply fittings shall be marked with the manufacturer's name, trademark, or mark of the customer for whom the fitting was manufactured as well as the model number.

Packaging for showerheads and hand-held showers shall be marked with the manufacturer's specified maximum flow rate and either the manufacturer's specified minimum flow rate or the statement "For use with automatic compensating valves rated at xxx L/min (yyy gpm) or less", where xxx L/min (yyy gpm) is the manufacturer's specified minimum flow rate.


Packaging for kitchen, lavatory, and metering faucets shall be marked with the manufacturer's specified maximum flow rate, in L/min and gpm or L/cycle and gpc.

Characteristics:
Fittings may include lavatory, sink, bath & shower, lean and sediment faucets. Plumbing fixture fittings to be installed in accordance with the manufacturer's instructions and the requirements of the latest edition of the Uniform Plumbing Code and National Plumbing Code of Canada.

Products listed on this certificate have been tested by an IAPMO R&T recognized laboratory. This recognition has been granted based upon the laboratory's compliance to the applicable requirements of ISO/IEC 17025.

Page 2 of 6

IAPMO RESEARCH AND TESTING, INC.
CERTIFICATE OF LISTING



Issued To: HESHAN RIFENG HARDWARE TECHNOLOGY CO., LTD. Effective Date: July 2023
File Number: 14358
Product: Plumbing Fixture Fittings
Void After: July 2028

This certificate is not evidence of current listing. To verify listing status, visit the IAPMO R&T Product Listing Directory at pld.iapmo.org

Models

Free-standing Shower/Bath Faucets

Model Number	Description
37663*	Single-lever Free-standing Shower/Bath Faucet
37763*	Single-lever Free-standing Shower/Bath Faucet
37863*	Single-lever Free-standing Shower/Bath Faucet
37963*	Single-lever Free-standing Shower/Bath Faucet
38063*	Single-lever Free-standing Shower/Bath Faucet
39663*	Single-lever Free-standing Shower/Bath Faucet
39763*	Single-lever Free-standing Shower/Bath Faucet
39863*	Single-lever Free-standing Shower/Bath Faucet
39963*	Single-lever Free-standing Shower/Bath Faucet
40063*	Single-lever Free-standing Shower/Bath Faucet

1st * Different Finishes

C	Polished Chrome
L	Brushed Nickel
D	Matte Black
W	White
H	Pewter

Shower Sets

Model Number	Description
RZ36756*****	Shower Set
RZ36856*****	Shower Set
RZ36356*****	Shower Set
RZ36378*****	Shower Set
RZ36586*****	Shower Set
RZ36176*****	Shower Set

Page 3 of 6

IAPMO RESEARCH AND TESTING, INC.
CERTIFICATE OF LISTING

Effective Date: July 2023
Void After: July 2028
Product Listing Directory at pld.iapmo.org

IAPMO RESEARCH AND TESTING, INC.
CERTIFICATE OF LISTING

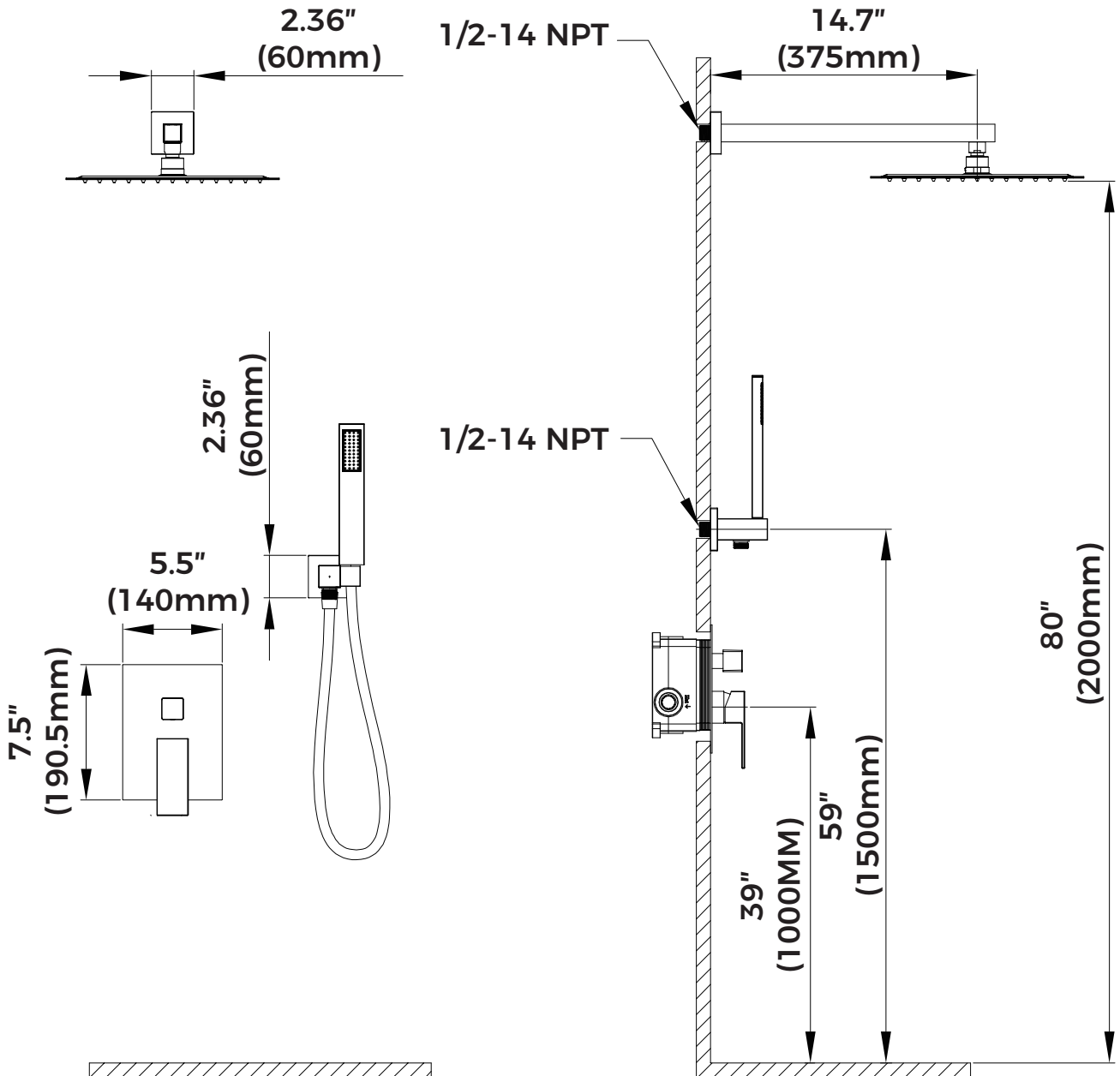
Effective Date: July 2023
Void After: July 2028
Product Listing Directory at pld.iapmo.org

IAPMO RESEARCH AND TESTING, INC.
CERTIFICATE OF LISTING

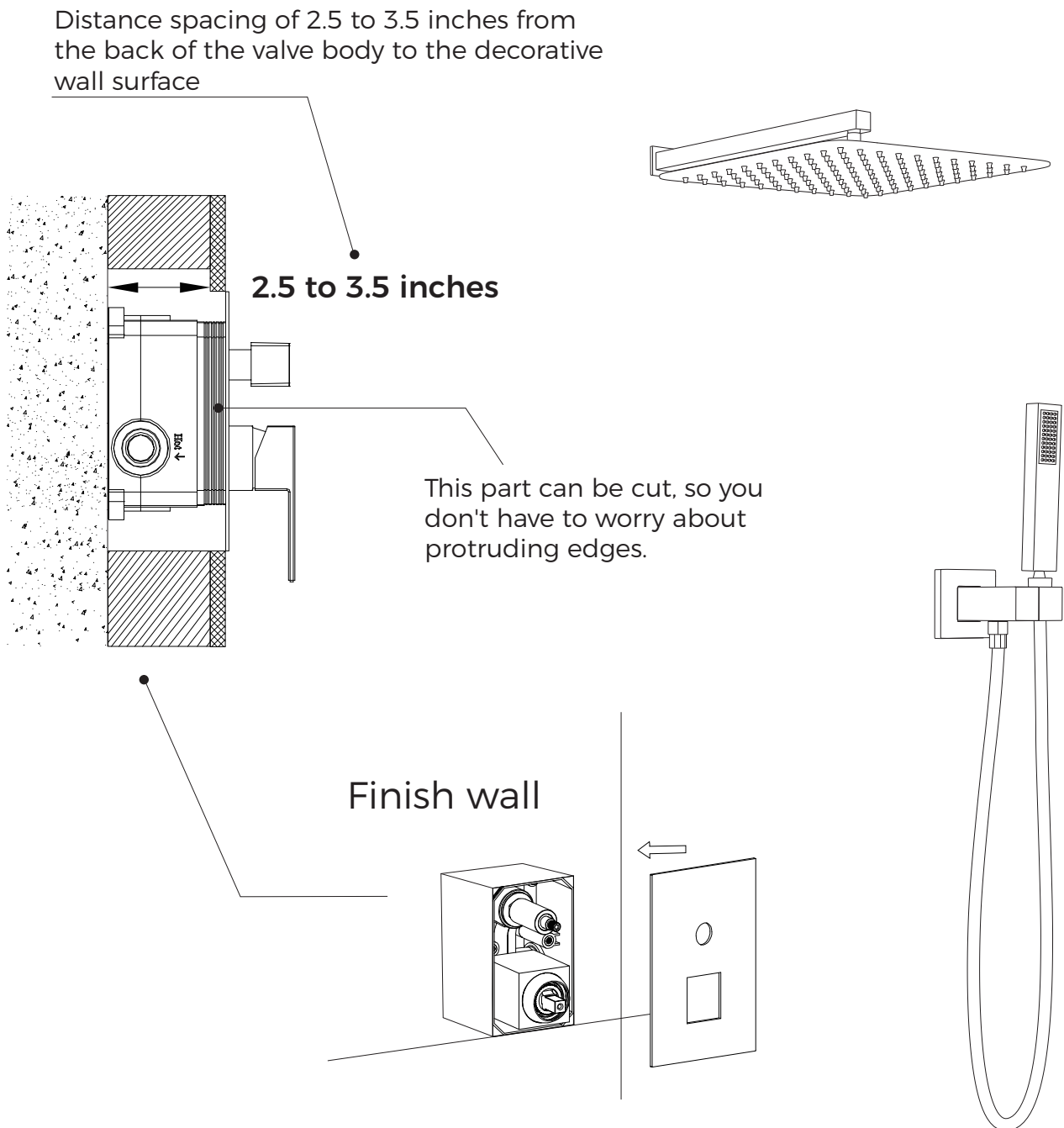
Effective Date: July 2023
Void After: July 2028
Product Listing Directory at pld.iapmo.org

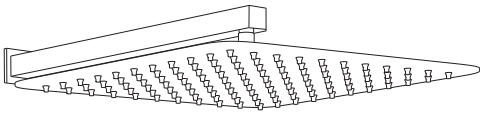
Product Size Drawing

Before installation, refer to the product installation dimension drawing to determine the installation position, and embed cold and hot water pipes in the wall (the thread and center distance must conform to the product size); Wash the pipeline and the position where the faucet is installed with a washing tool to remove sediment, copper scraps, etc.

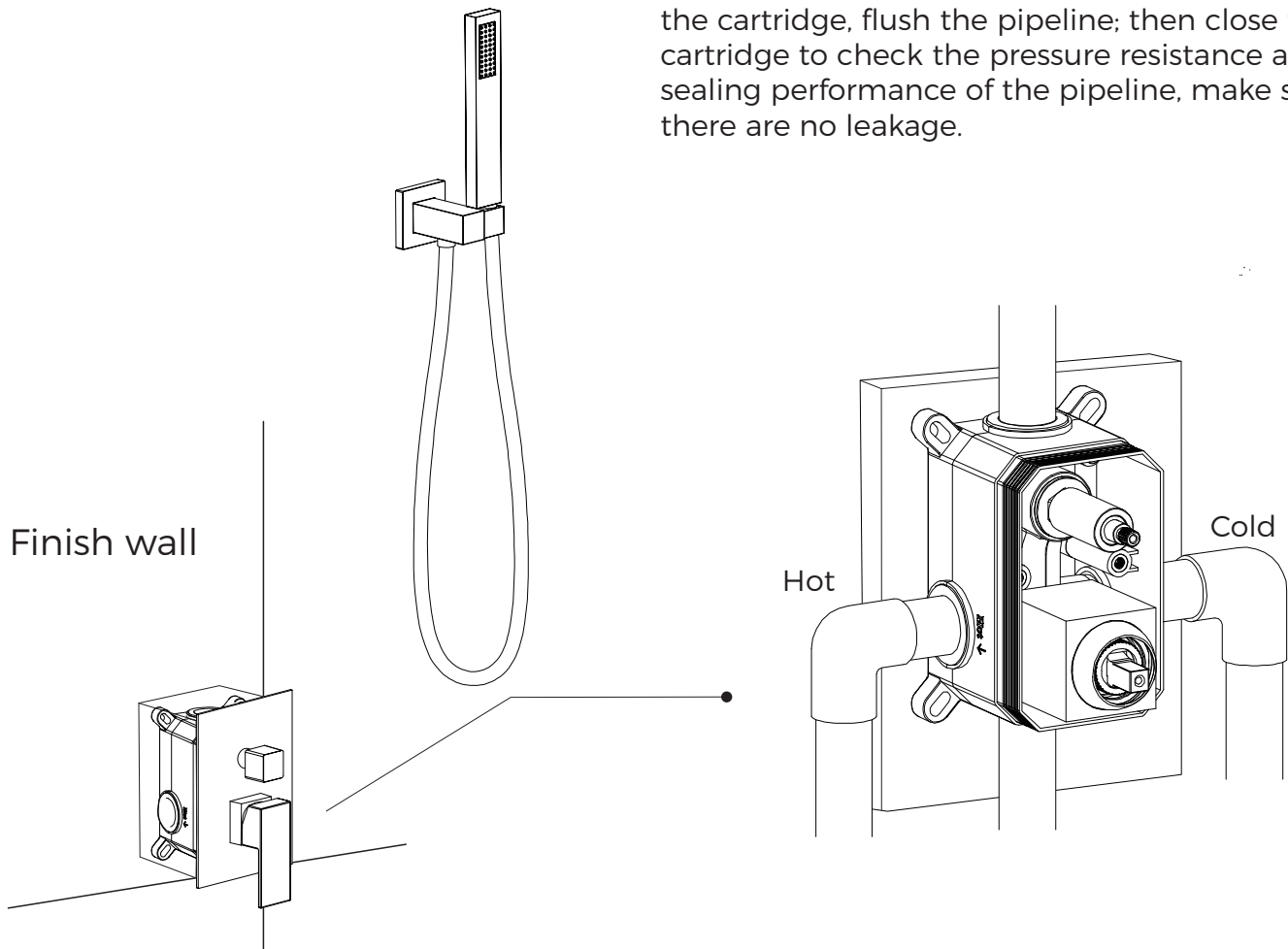


Before laying the tiles, ensure that the depth of the shower valve body is sufficient to install the decorative cover plate and the shower handle.





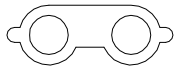
1. After the pipe connection is completed, open the protective panel and cover, and then open the cartridge, flush the pipeline; then close the cartridge to check the pressure resistance and sealing performance of the pipeline, make sure there are no leakage.



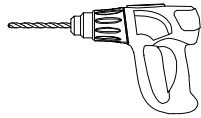
2. Block each outlet pipe with a stopper then open the cartridge to check if the pipe joint is well-sealed and the pipe condition under pressure to ensure no leakage.

Testing Purpose: Flush the impurities and sludge in the pipeline to avoid clogging and affect the effluent functions.

Installation of auxiliary tools



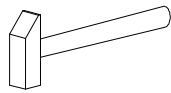
Goggles



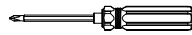
Impact drill



Tape measure



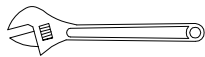
Hammer



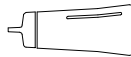
Screwdriver



Hexagon wrench



Movable wrench



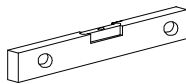
Sealant



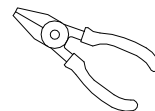
Raw material belt



Pencil



Spirit level

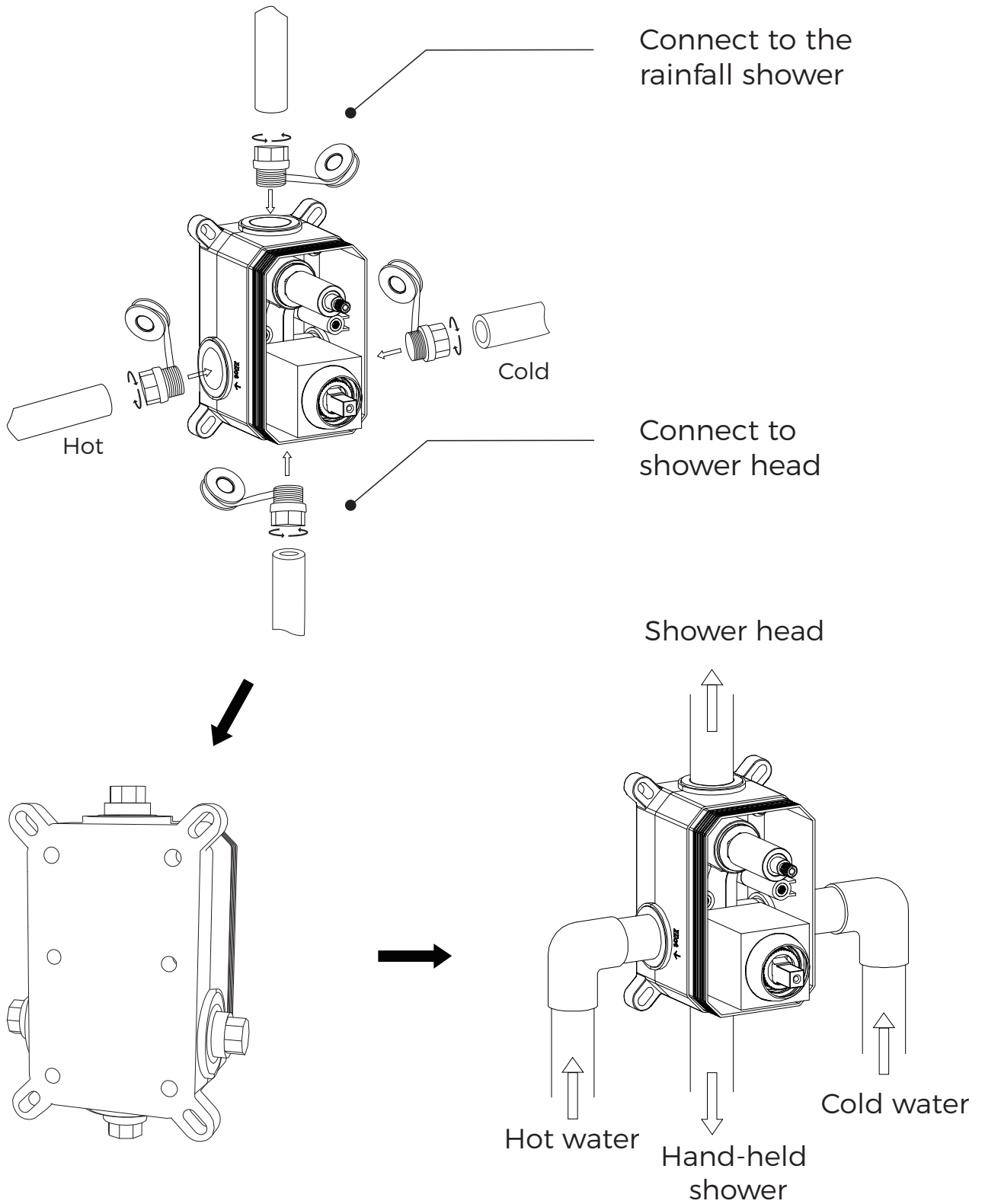


Plier

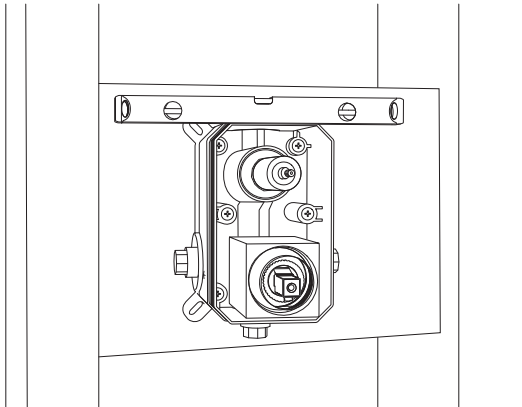
Installation items and methods

- ① The faucet body has been tested and debugged before leaving the factory. Please do not disassemble it by yourself !
- ② Before installing the faucet, please be sure to confirm whether the water inlet pipeline and angle valve are correctly installed; The impurities and sludge in the embedded water pipe have been removed to avoid blocking the faucet and affecting the water outlet function.
- ③ After installation, please check whether the joints are tightly connected and whether the pipeline leaks.
- ④ The working water pressure of the faucet is $0.05\text{MPa}\leq$ or less, and the water inlet pressure is $\leq 0.5\text{MPa}$ or less.
- ⑤ When installing and using the faucet, please use normal torque to prevent the handle and bent foot from breaking.
- ⑥ When using, please turn on cold water first, and then turn on hot water to adjust the temperature, so as not to burn.
- ⑦ Users must cover and protect the electroplating products such as faucets when installing them. If there is cement, lime slurry and sand dripping on the surface, it must be cleaned within 30 minutes.

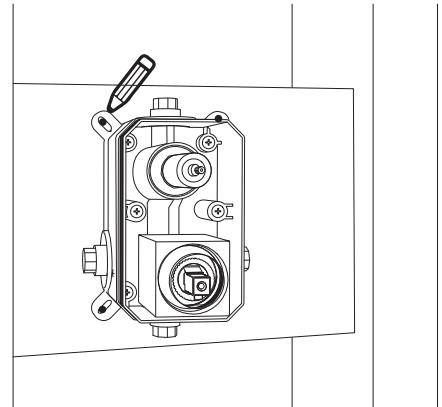
Installation of Pressure Balancing Valve



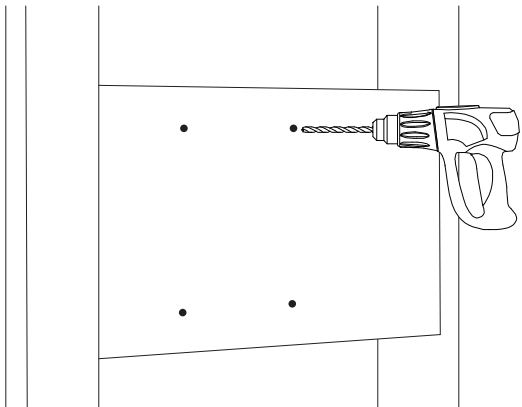
1



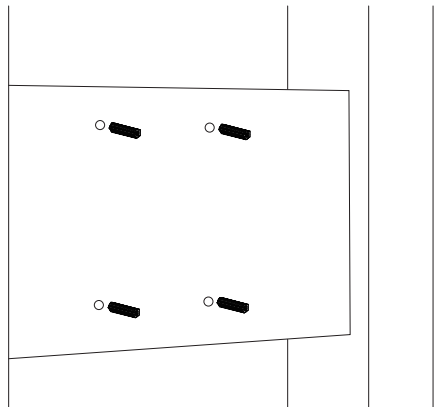
2



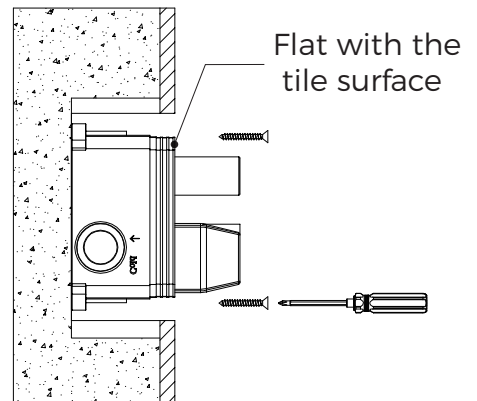
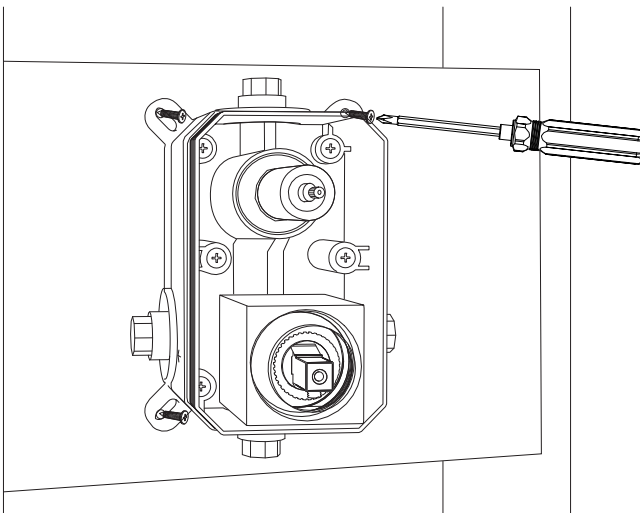
3

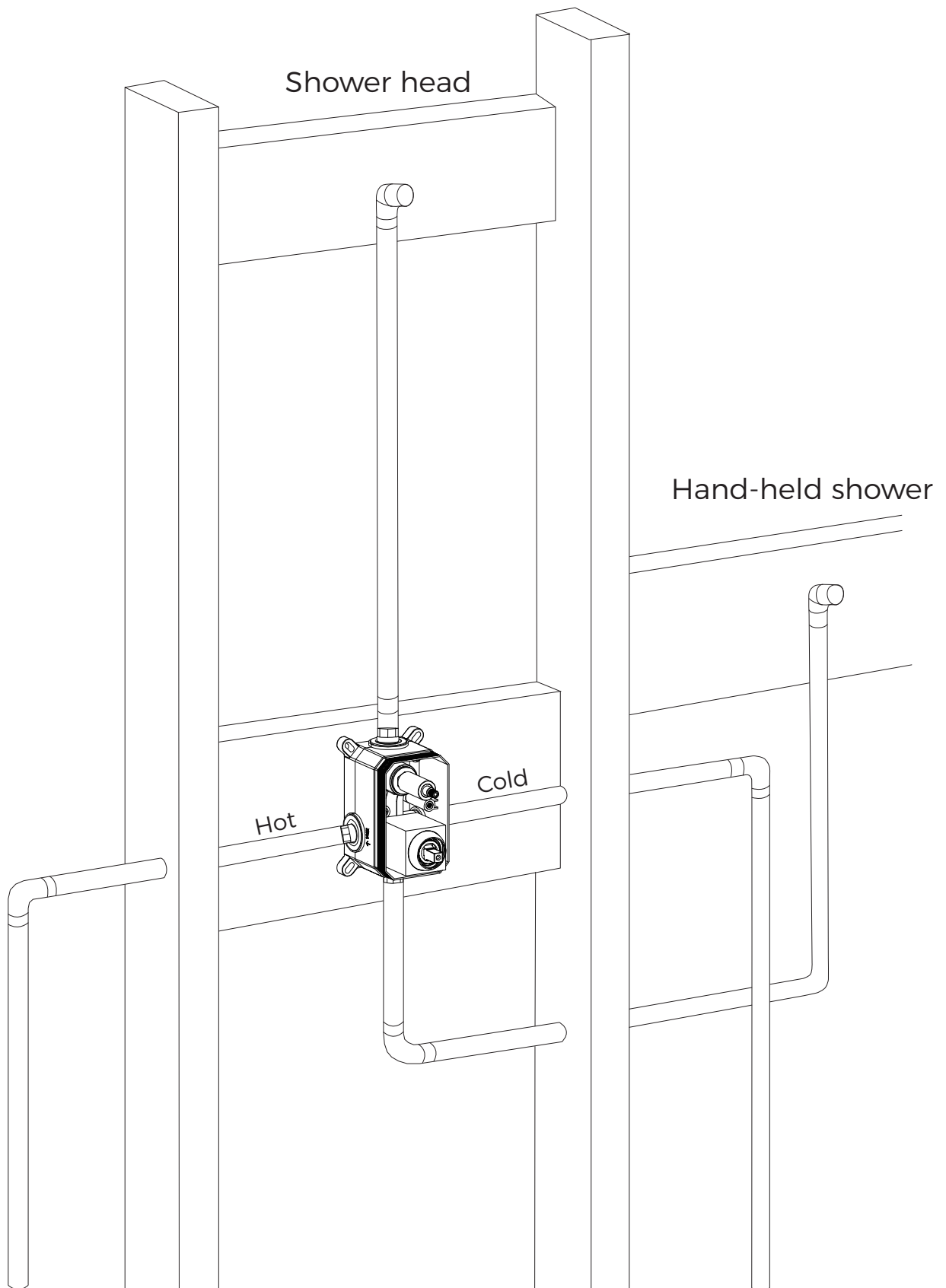


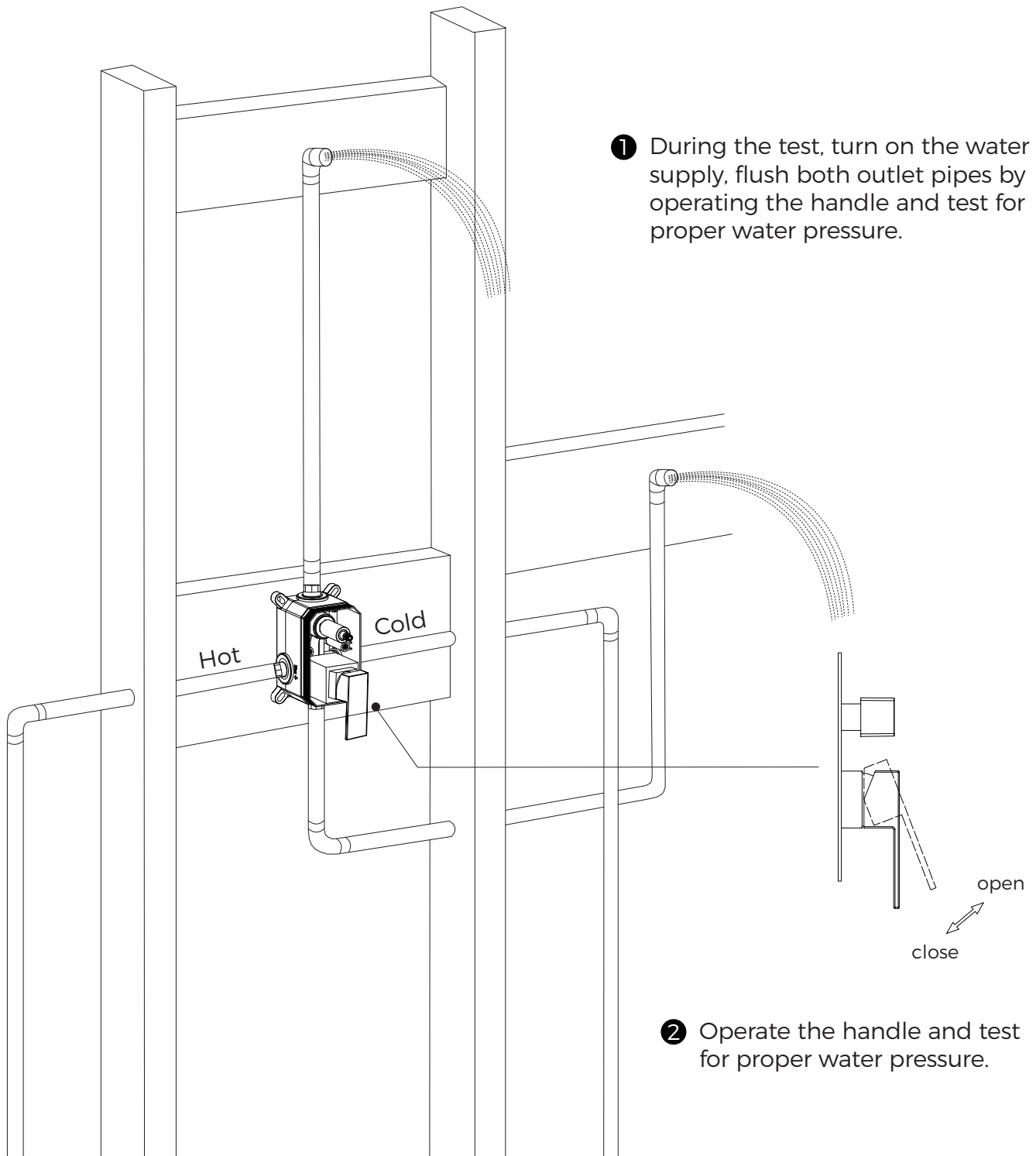
4



5





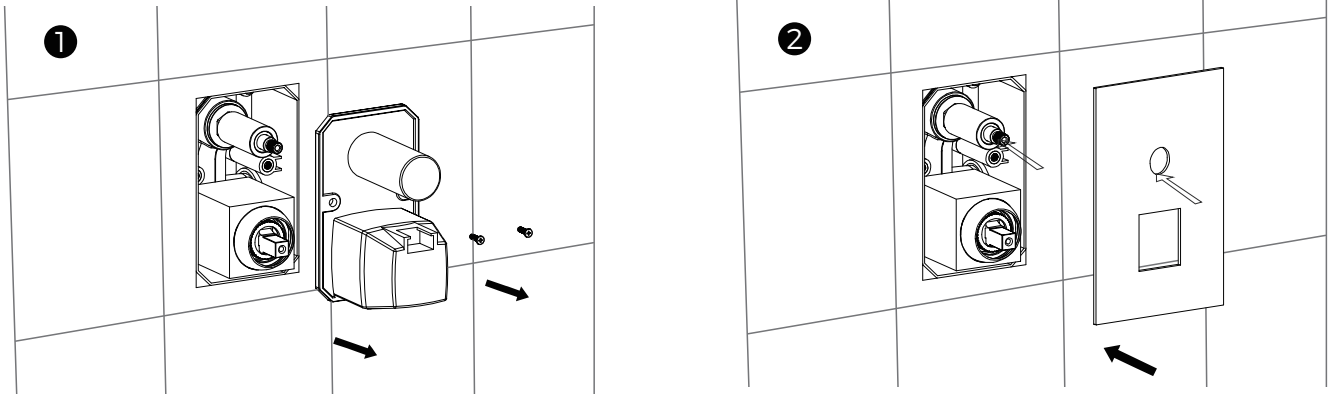


① During the test, turn on the water supply, flush both outlet pipes by operating the handle and test for proper water pressure.

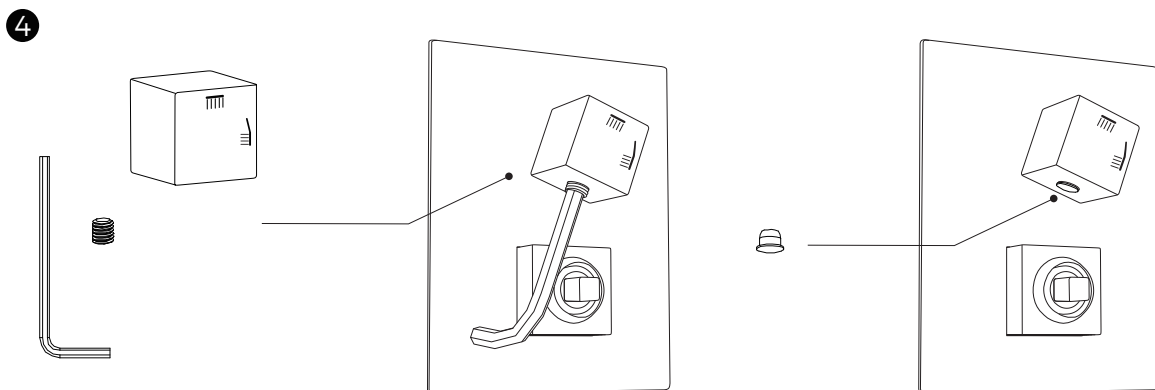
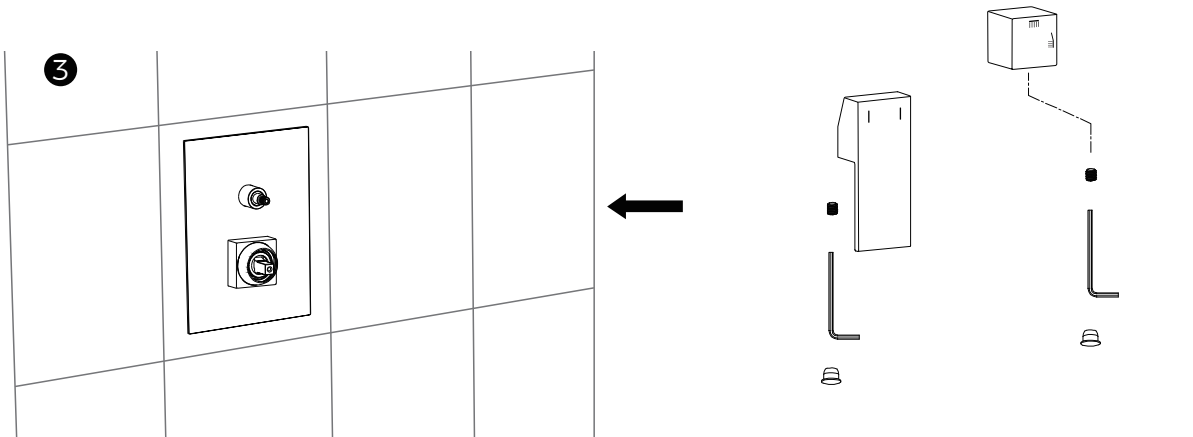
② Operate the handle and test for proper water pressure.

③ Operate the handle to turn off the water supply and test for pressure resistance and tightness to ensure there are no leaks.

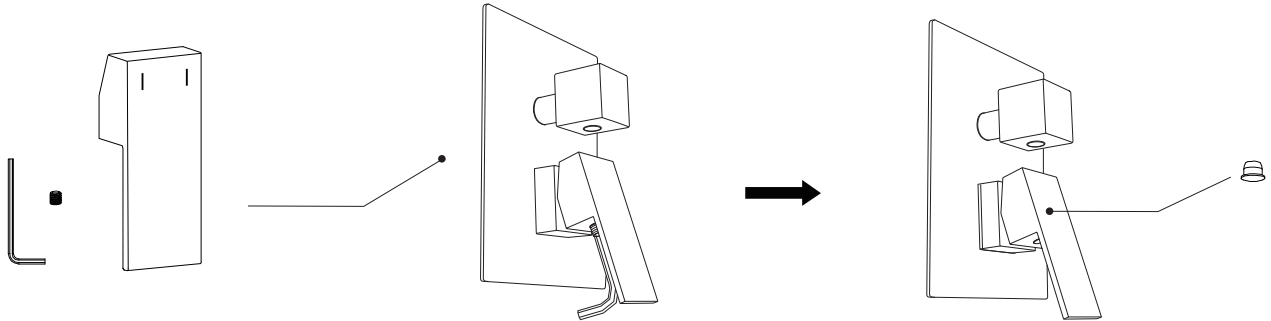
Installation of Pressure Balancing Valve



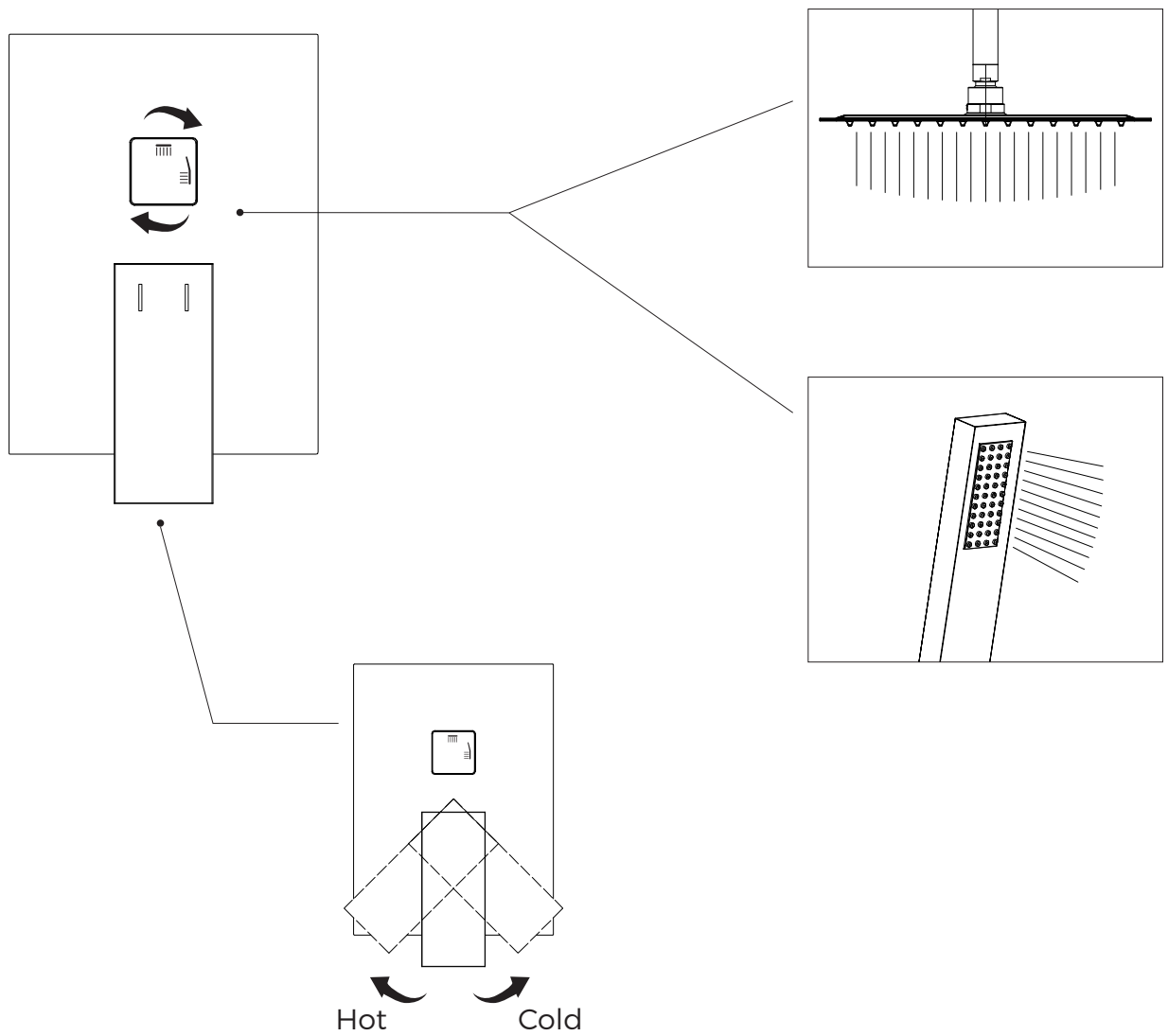
NOTE:
When cutting tiles, make sure the cut size does not exceed the size of the trim.



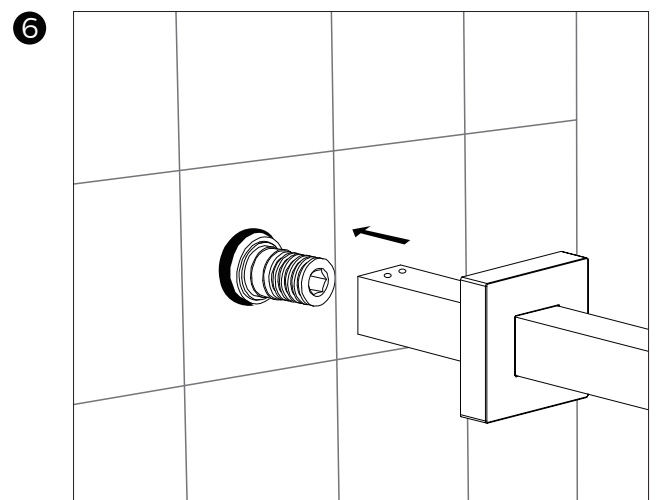
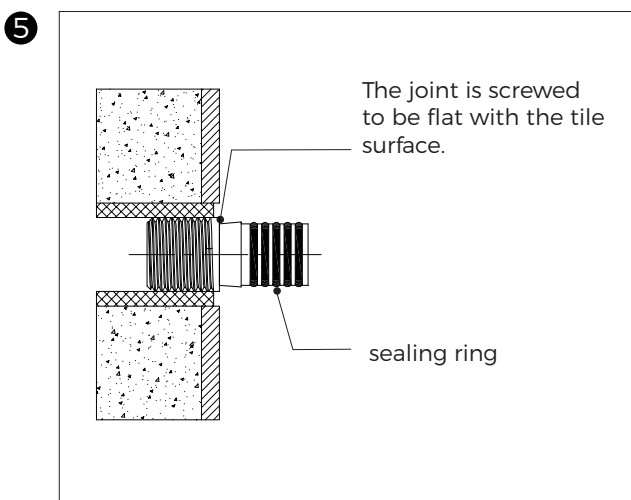
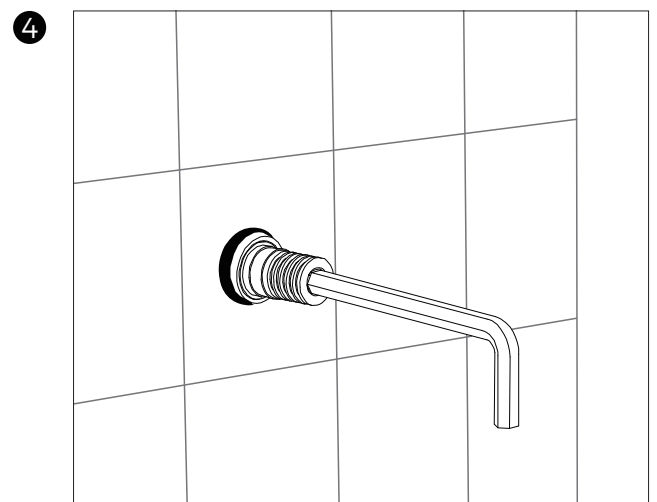
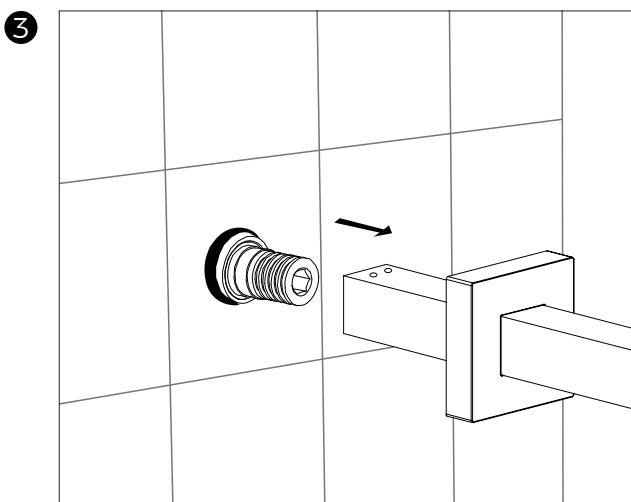
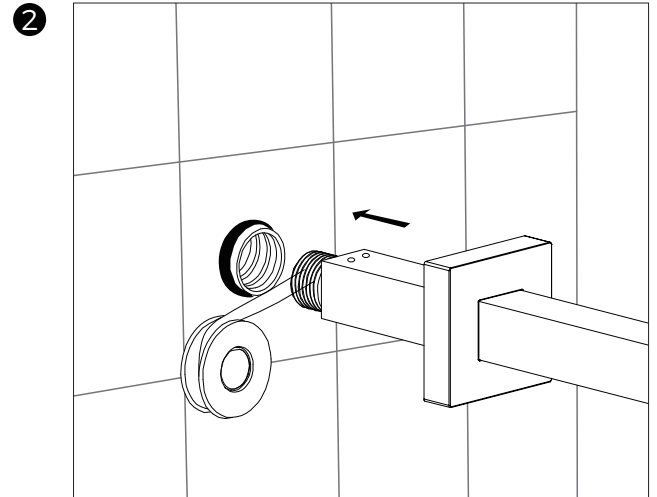
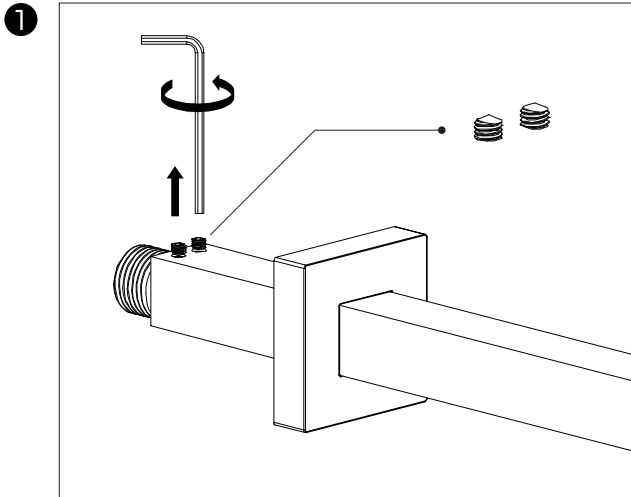
5

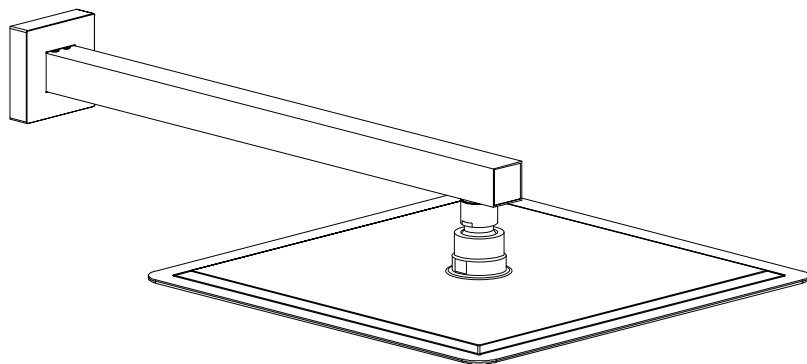
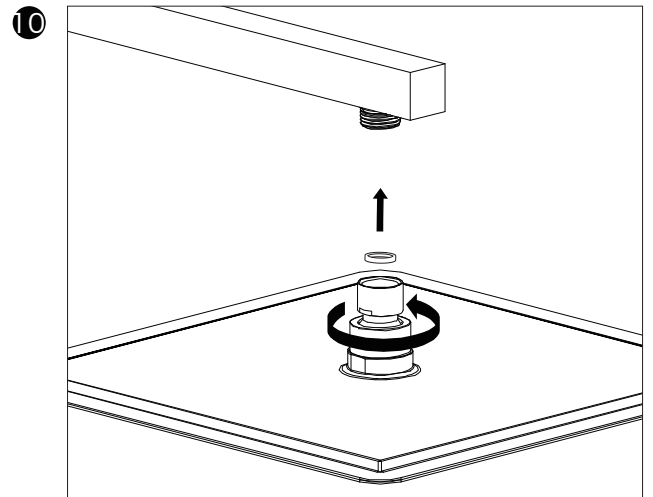
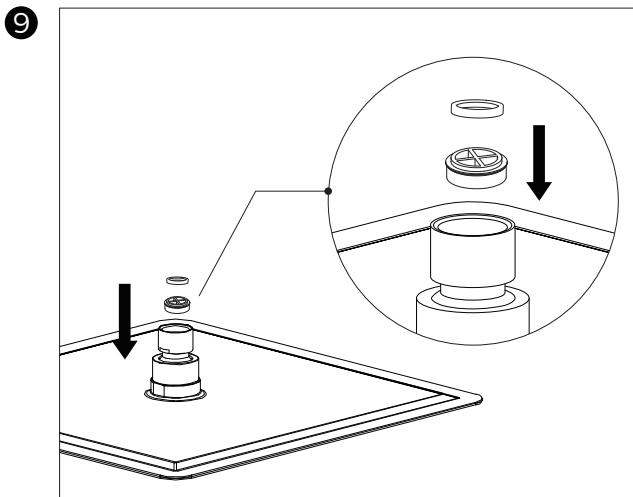
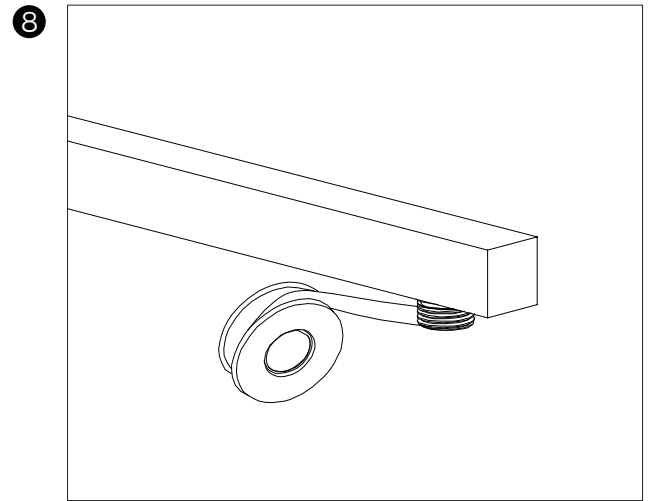
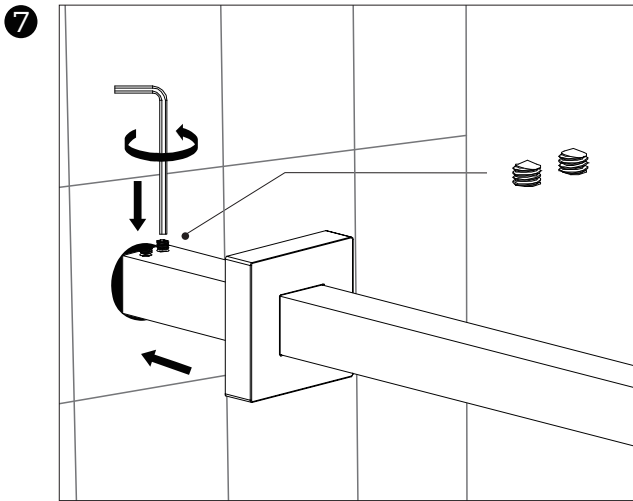


6

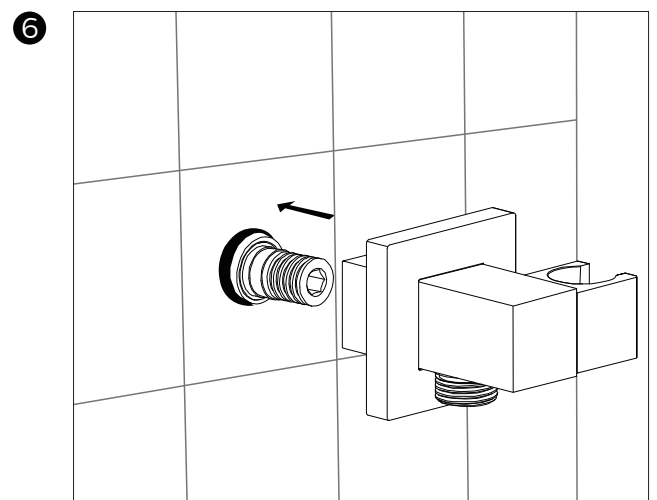
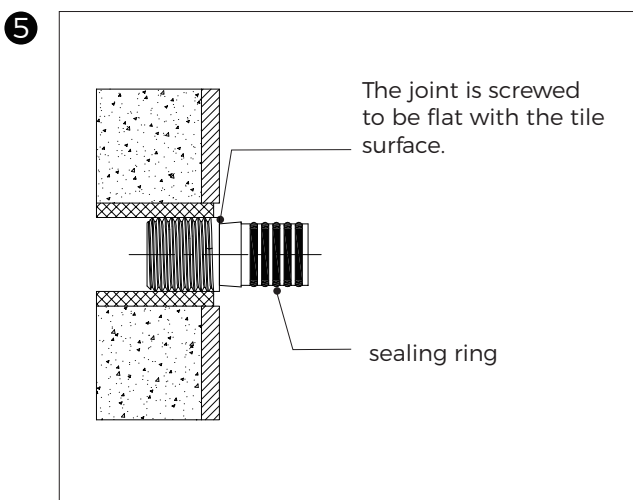
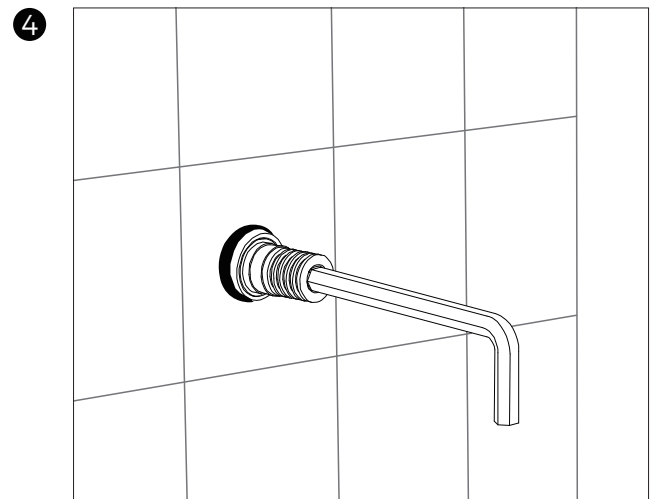
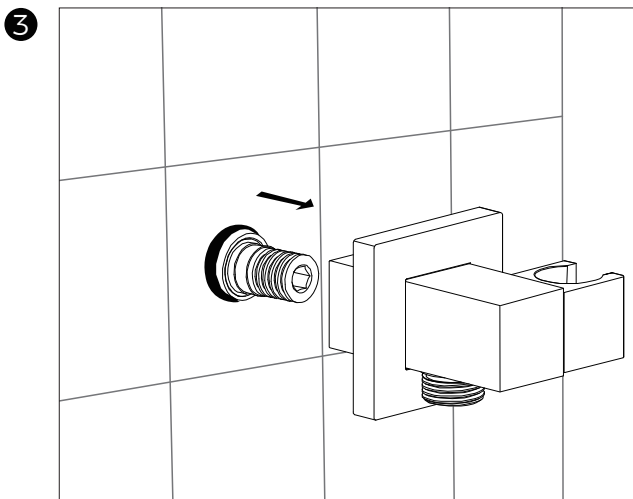
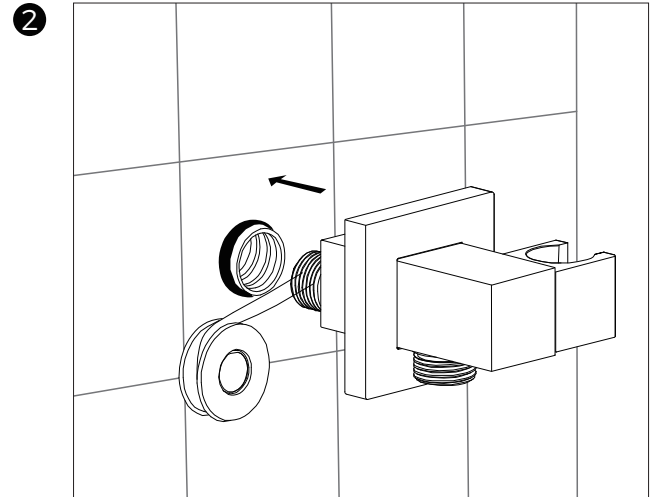
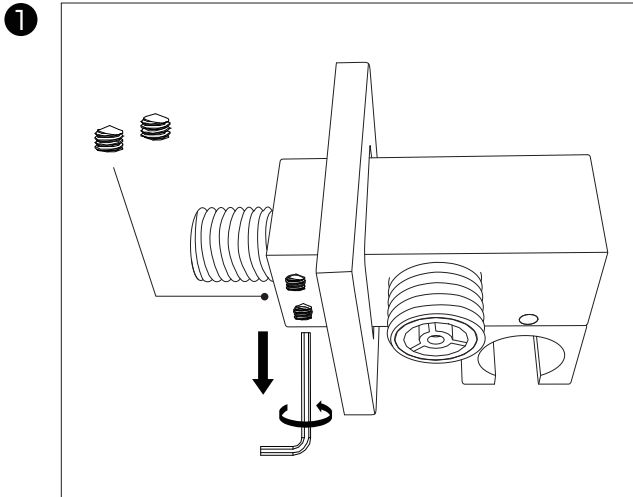


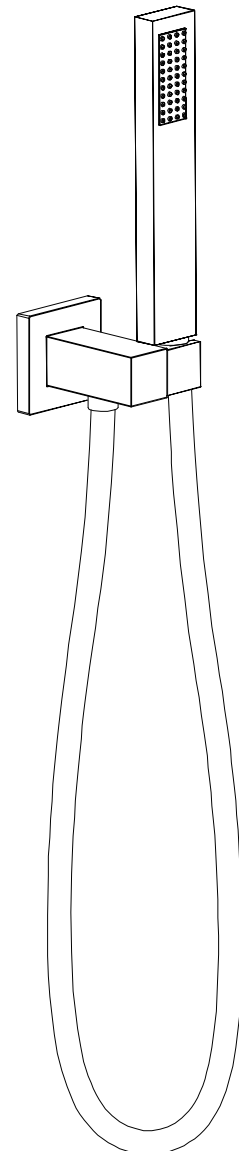
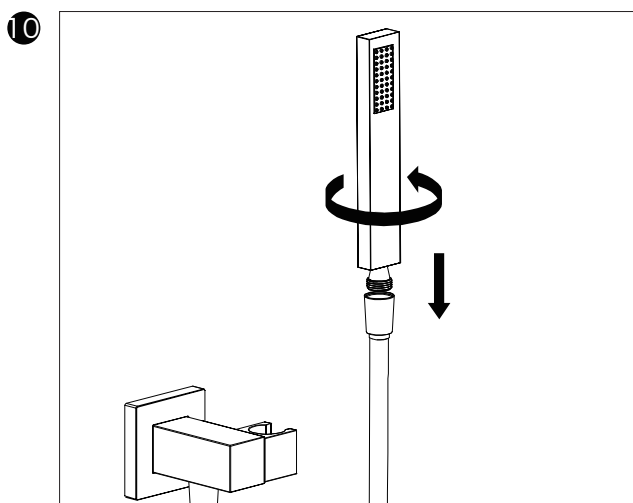
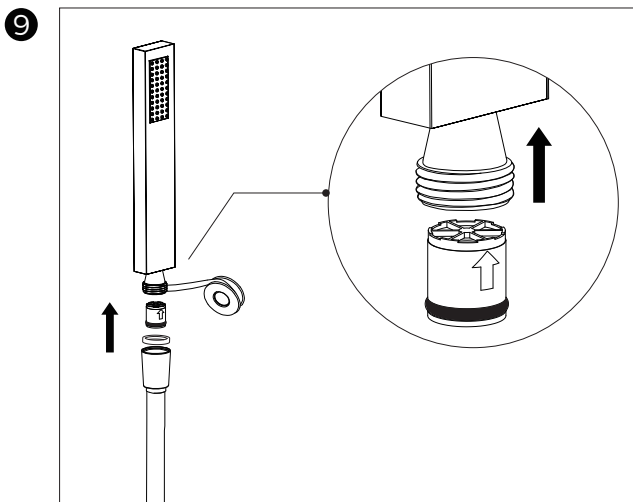
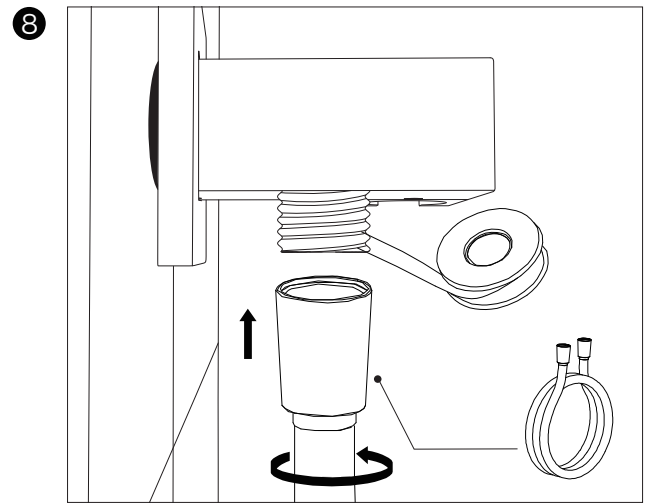
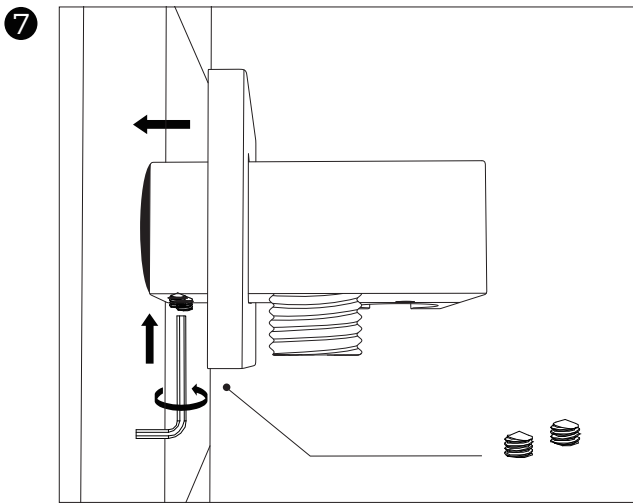
Shower head Installation





Hand Shower Installation





Daily care of the product

- ① To keep the faucet bright and clean, please clean the faucet frequently or regularly.
- ② Rinse with water only, and dry the faucet with soft cotton cloth.
- ③ Do not use detergent containing coarse particles such as cleaning powder or polishing powder, nylon brush, emery cloth or sandpaper, avoiding wearing the product.
- ④ Do not use any acidic cleaning agent or rough cleaning agent or soap to polish.
- ⑤ When the water flow of the faucet is obviously reduced, please clean the filter screen of the shower head and the rubber particle hole of the shower head, so as not to affect the water flow of the shower head or block it and burst it. Example: The water flow at the shower head is obviously reduced or some rubber particles do not come out. Please rub the rubber particles at the shower head by hand or use sewing needle to make holes in the rubber particles at the shower head.
- ⑥ If a lot of cleaning work is needed, please follow the following procedures:
 - A. Use clean water and soft cloth to remove dirt and scale film on the surface as far as possible;
 - B. Use any of the following cleaning agents to remove surface dirt and scale film;
Mild liquid cleaner;
Colorless glass cleaner, powder cleaner that has no grinding effect and can be completely dissolved (and mixed according to the manufacturing instructions);
Polishing liquid without abrasion;
Stubborn dirt can be soaked in hot vinegar, then wiped with wax or scrubbed with toothpaste or with special hardware cleaner;
 - C. After cleaning, please remove all cleaning agents with clean water and wipe them dry with soft cotton cloth.



**Please contact us if you have any problem about our shower system
Ph: (+1) 347-289-3016 /GMT-5 9:30AM-6:30PM**