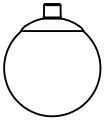




SPS-0076 REV A

# GLASS BALL PENDANT

JOB NAME: \_\_\_\_\_ FIXTURE TYPE: \_\_\_\_\_



BLE - \_\_\_\_\_ - \_\_\_\_\_ - \_\_\_\_\_ - \_\_\_\_\_  
                  **A**                  **B**                  **C**                  **D**

Order Example: BLE - C - GLB12 - 995 - SBK

### A - MOUNTING STYLE

- C** Cord Hung
- S** Stem Mount<sup>1</sup>

### B - GLASS SIZE & STYLE

- GLB8** 8" Opaque Glass
- GLB12** 12" Opaque Glass
- GLB16** 16" Opaque Glass
- GLBCL8** 8" Clear Glass
- GLBCL12** 12" Clear Glass
- GLBCL16** 16" Clear Glass

### C - FIXTURE & MOUNTING FINISH

#### POWDER COAT FINISHES:

- 100** Black
- 105** Textured Black
- 200** White
- 300** Dark Green
- 307** Emerald Green
- 311** Jadite
- 370** Mint
- 380** Chartreuse
- 390** Teal
- 400** Barn Red
- 420** Orange
- 470** Watermelon

### C - FIXTURE & MOUNTING FINISH (CONT.)

#### POWDER COAT FINISHES:

- 480** Blush Pink
- 490** Magenta
- 495** Sherbet Orange
- 500** Buttery Yellow
- 570** Sunflower
- 600** Bronze
- 601** Chocolate
- 605** Rust
- 615** Oil-Rubbed Bronze
- 700** Royal Blue
- 705** Navy
- 710** Cobalt Blue
- 715** Delphite Blue
- 790** Lavender
- 800** Industrial Grey
- 805** Charcoal Granite
- 810** Graphite
- 975** Galvanized

#### NATURAL FINISHES<sup>2</sup>:

- 995** Raw Copper
- 996** Weathered Copper
- 997** Raw Brass
- 998** Weathered Brass
- 999** Oil-Rubbed Copper

### D - MOUNTING

#### UL LISTED CORD OPTIONS:

- SBK** Standard Black
- SWH** Standard White
- CSB** Black Cloth
- CSW** White Cloth
- CMG** Grey Cloth
- CSR** Red Cloth
- CRZ** Red Chevron Cloth
- CSBW** Black & White Cloth
- CSRW** Red & White Cloth
- CSBG** Black & Gold Cloth
- CSBP** Black & Pink Cloth
- CSGW** Gold & White Cloth
- CSUW** Blue & White Cloth
- CSBB** Black & Brown Cloth

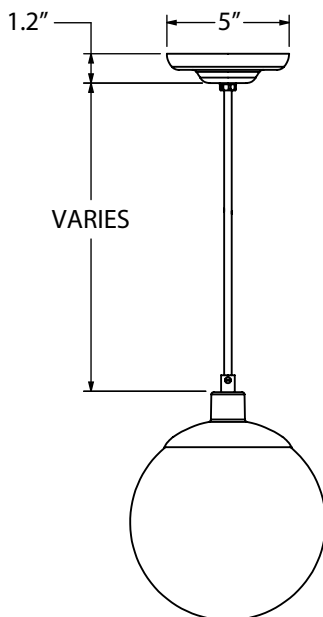
#### STEM MOUNT OPTIONS:

- ST06** 6" Stem<sup>1</sup>
- ST12** 12" Stem<sup>1</sup>
- ST18** 18" Stem<sup>1</sup>
- ST24** 24" Stem<sup>1</sup>
- ST36** 36" Stem<sup>1</sup>
- ST48** 48" Stem<sup>1</sup>

**IMPORTANT:** (1) Not available in copper finishes (2) Natural Finishes have a longer estimated manufacturing time, please check the website for exact lead time. There are no returns accepted on Natural Finishes.

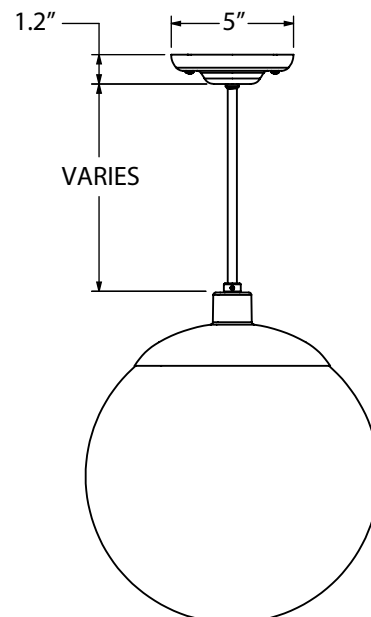
## MOUNTING STYLE

### CORD HUNG PENDANT (C)



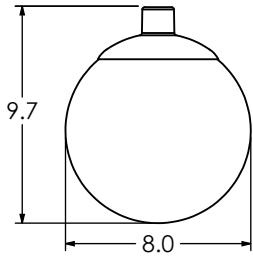
SHOWN WITH: 8" GLASS

### STEM MOUNT PENDANT (S)

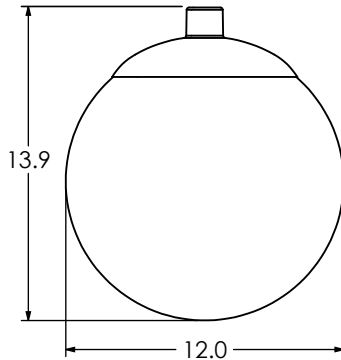


SHOWN WITH: 12" GLASS

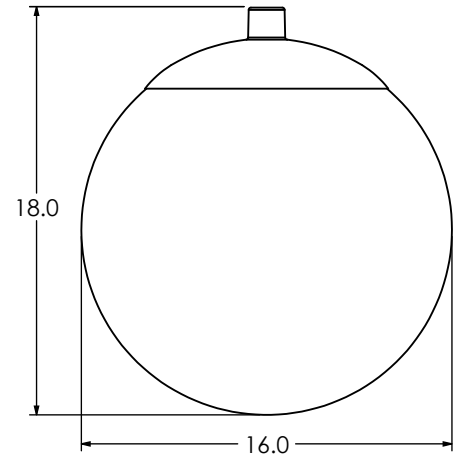
**GLASS DIMENSIONS**



**8" GLASS: GLBCL8 & GLB8**



**12" GLASS: GLBCL12 & GLB12**



**16" GLASS: GLBCL16 & GLB16**

**SPECIFICATIONS**

**CONSTRUCTION & FINISHES**

**POWDER COAT SHADE**

Hand-Spun from High Purity 0.050" Thick 3003-O Temper Aluminum

**POWDER COAT FINISHES**

Polyester Powder Coat Finishes Are Electro-Statically Applied and Thermocured

**COPPER**

Hand-Spun from High Purity .032 Thick C11000-O60 ETP Copper

**BRASS**

Hand-Spun from High Purity .050" Thick C2600-O60 Brass

TEMPERED DIFFUSED/FROSTED OR CLEAR GLASS GLOBE

**MAX FIXTURE WEIGHT**

10 lbs

**LIGHT SOURCE**

**INCANDESCENT**

Medium Base E26 Socket, 100W Max, 120 VAC

**MOUNTING**

**CORD**

Cord-Hung Pendants Include 7' of Standard Cord or 5' of Cloth Cord, +/- For Socket Orientation

**STEM**

1/8" Nominal (.38" Actual OD) Aluminum Mounting Stem. Custom Stem Lengths Available upon Request.

**CERTIFICATIONS, LISTINGS & WARRANTY**

**MADE IN THE USA**

Manufactured and Hand-Crafted in Our 60,000 Square Foot Facility Located in Titusville, FL

UL LISTED FOR DAMP LOCATION

**LIMITED WARRANTY**

For Additional Information on Our Limited Warranty, Please See Our Terms & Conditions