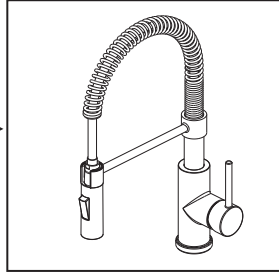


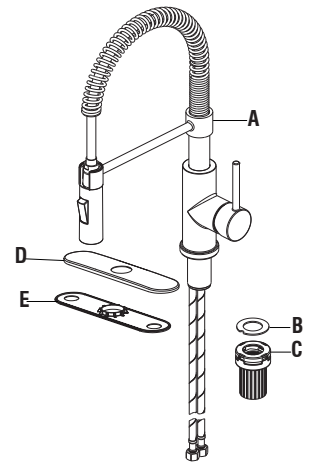
# Installation Instruction

## SINGLE-HANDLE KITCHEN FAUCET



### PACKAGE CONTENTS

Part	Description	Quantity
A	Faucet assembly	1
B	Rubber washer	1
C	Mounting Nut	1
D	Deckplate(optional)	1
E	Bottom plate(optional)	1

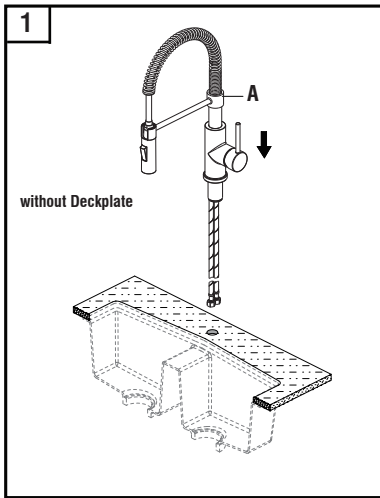


### Before You Begin

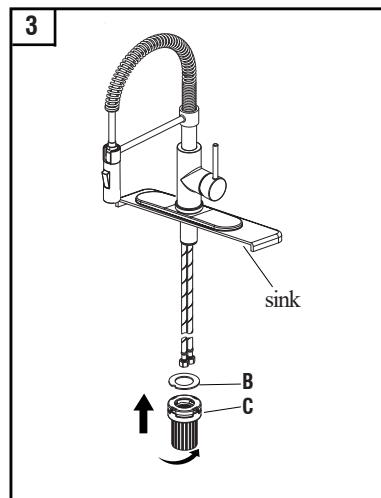
Shut off the water supply.  
check to make sure you have the following:



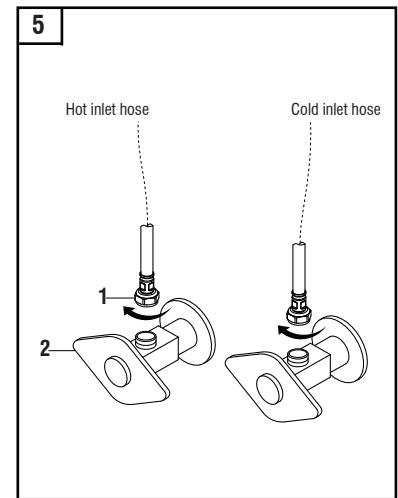
### Installation Steps



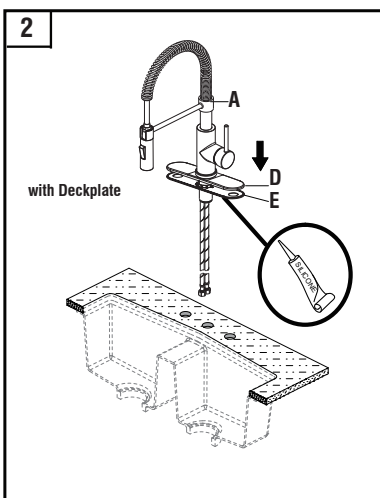
1. Installing the faucet assembly  
Insert the faucet body through the hole in the sink.  
(one hole/without Deckplate)



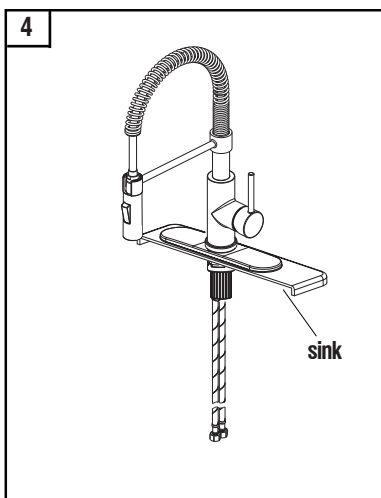
3. From underneath basin, secure the faucet assembly (A) with the rubber washer (B), mounting nuts (C) .



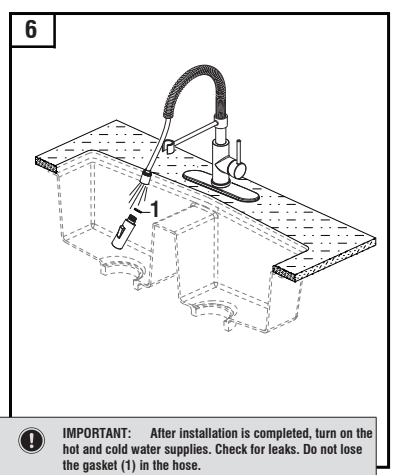
5. Making the water supply connections



2. Installing the faucet assembly  
Insert the faucet body through the hole in the sink.  
(one or three hole/ with Deckplate)



4. Tighten the faucet assembly



**IMPORTANT:** After installation is completed, turn on the hot and cold water supplies. Check for leaks. Do not lose the gasket (1) in the hose.

6. Flushing and checking for leaks