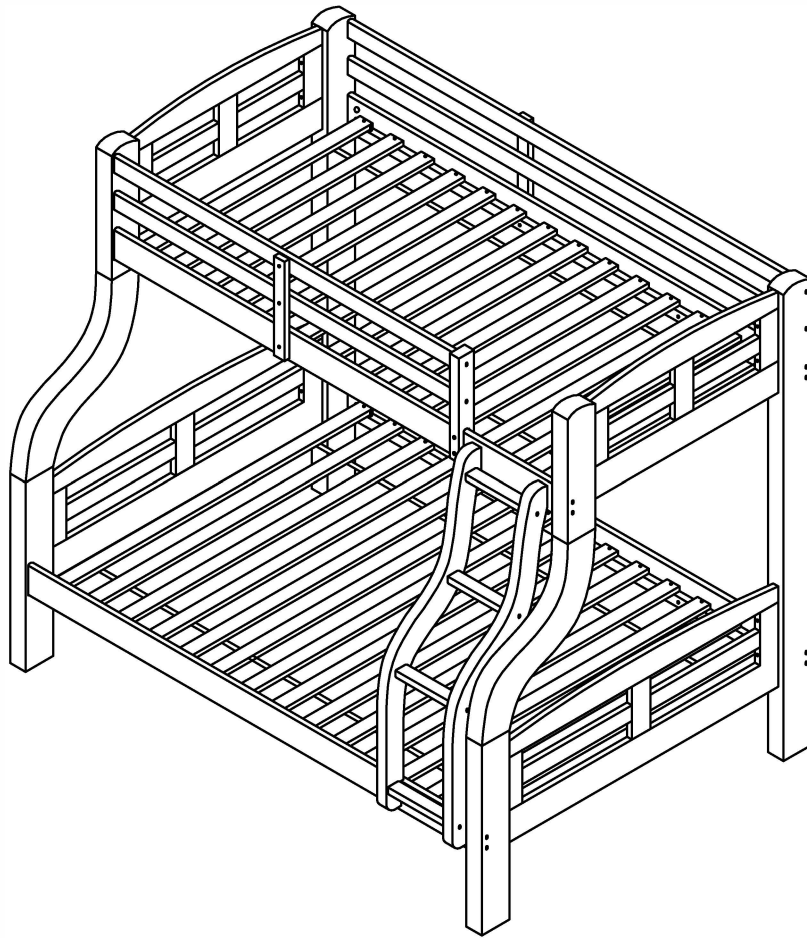


ASSEMBLY INSTRUCTIONS



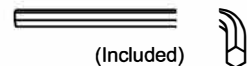
ASSEMBLY RATING

The Assembly Rating is a 5-point system that shows the degree of effort needed in assembling a specific product (with 1 being easy and 5 being difficult). For some products, two persons are recommended.

EASY  DIFFICULT

Tools Required For Assembly:

Allen Wrench



Phillips Screwdriver



2 PERSONS RECOMMENDED

ASSEMBLY & CARE ADVICE

FOR YOUR FURNITURE TO LAST, CORRECT ASSEMBLY AND PROPER MAINTENANCE ARE NECESSARY. PLEASE FOLLOW THE INFORMATION PROVIDED BELOW TO FULLY ENJOY YOUR FURNITURE.

BASIC ASSEMBLY TECHNIQUES



When lock or spring washer is used in an assembly, please make sure the lock or spring washer is placed between the larger flat washer and the head of the screw or bolt.



Position each part correctly and insert screws or bolts into their respective holes by hand tighten or using the proper hand tool. Only tighten when step is completed or when instructed to do so.



Use cardboard or carpet area when assembling furniture to prevent scratches. Make sure the furniture rests on a flat and level surface with each leg evenly touching the floor.



Some furniture comes with height adjustment knobs underneath each leg. To lower or to raise each leg, you need to turn clockwise or counterclockwise, respectively.

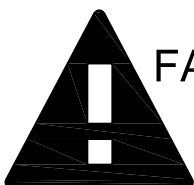


Make sure all parts are properly aligned, then use the appropriate hand tool to completely tighten the bolts or screws. Do not use power tools and do not overtighten.



Save the instructions and store the Allen wrench or any supplied tool for later maintenance. After two weeks, check and tighten any loose hardware and repeat again every six months thereafter.

IT IS THE USER'S RESPONSIBILITY TO MAINTAIN THE FURNITURE. THE HARDWARE MAY LOOSEN OVER TIME AND MAY CAUSE THE FURNITURE TO BE WOBBLY AND UNABLE TO SUPPORT ITS INTENDED WEIGHT CAPACITY. THIS MAY LEAD TO COLLAPSE AND MAY CAUSE SERIOUS INJURY.



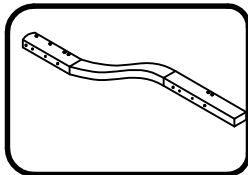
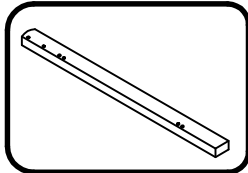
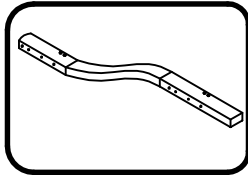
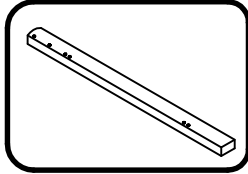
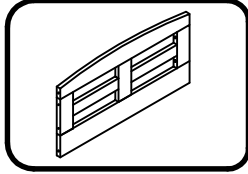
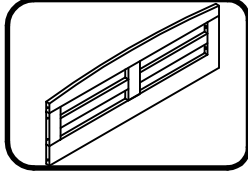
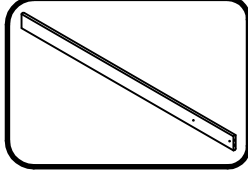
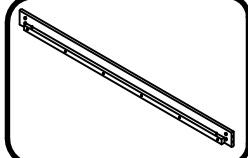
FAILURE TO FOLLOW THE GUIDELINES ABOVE MAY RESULT IN INJURY AND/OR PROPERTY DAMAGE.



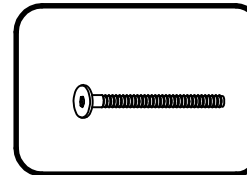
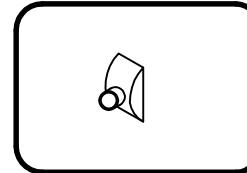
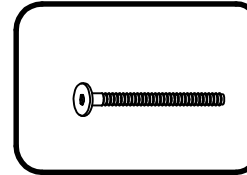
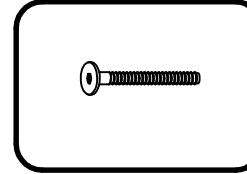
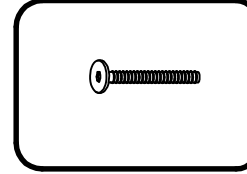
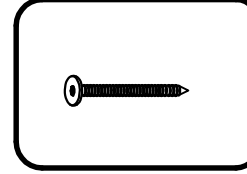
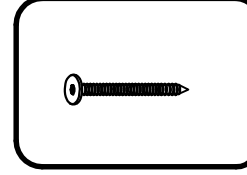
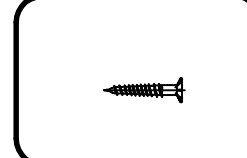
Before you begin, please read Page 2 of "Assembly and Care Advice".

And remember, do not tighten until each step is completed or instructed.

Parts List

-  #1 x 1pc
Front Left Leg
-  #2 x 1pc
Left Rear Leg
-  #3 x 1pc
Front Right Leg
-  #4 x 1pc
Right Rear Leg
-  #5 x 2pcs
Footboard Frame
-  #6 x 2pcs
Footboard Frame
-  #7 x 1pc
Lower Front Side Rail
-  #8 x 1pc
Lower Back Side Rail

Hardware List

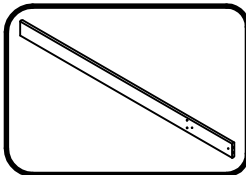
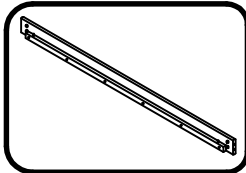
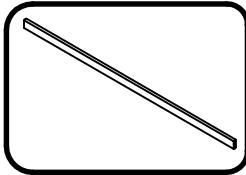
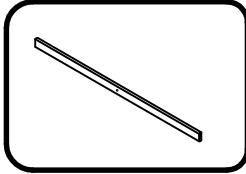
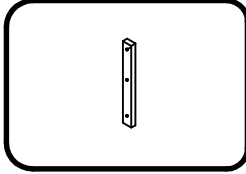
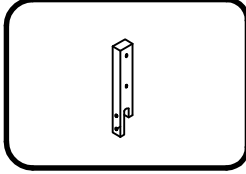
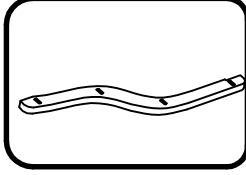
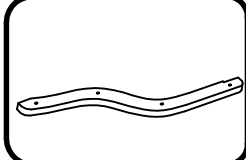
-  #A x 16pcs
Bolt 1/4" x 4-1/4"
-  #B x 16pcs
Barrel Nut
-  #C x 16pcs
Bolt 1/4" x 4"
-  #D x 2pcs
Bolt 1/4" x 2-1/4"
-  #E x 4pcs
Bolt 1/4" x 1-9/16"
-  #F x 6pcs
Screw 1/4" x 4"
-  #G x 10pcs
Screw 1/4" x 3-1/8"
-  #H x 62pcs
Screw 3/16" x 1-3/16"



Before you begin, please read Page 2 of "Assembly and Care Advice".

And remember, do not tighten until each step is completed or instructed.

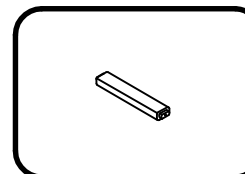
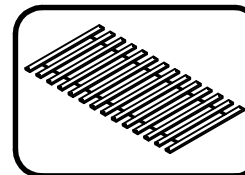
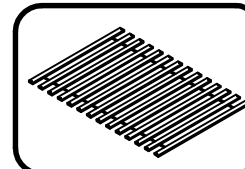
Parts List

-  #9 x 1pc
Upper Front Side Rail
-  #10 x 1pc
Upper Front Side Rail
-  #11 x 2pcs
Back Guardrail
-  #12 x 2pcs
Front Guardrail
-  #13 x 2pcs
Guardrail Support
-  #14 x 1pc
Guardrail Attachment
-  #15 x 1pc
Ladder Rail (Left)
-  #16 x 1pc
Ladder Rail (Right)

Hardware List

-  #I x 32pcs
Wood Dowel 7/16"x1-9/16"
-  #J x 1pc
Allen Wrench 4mm

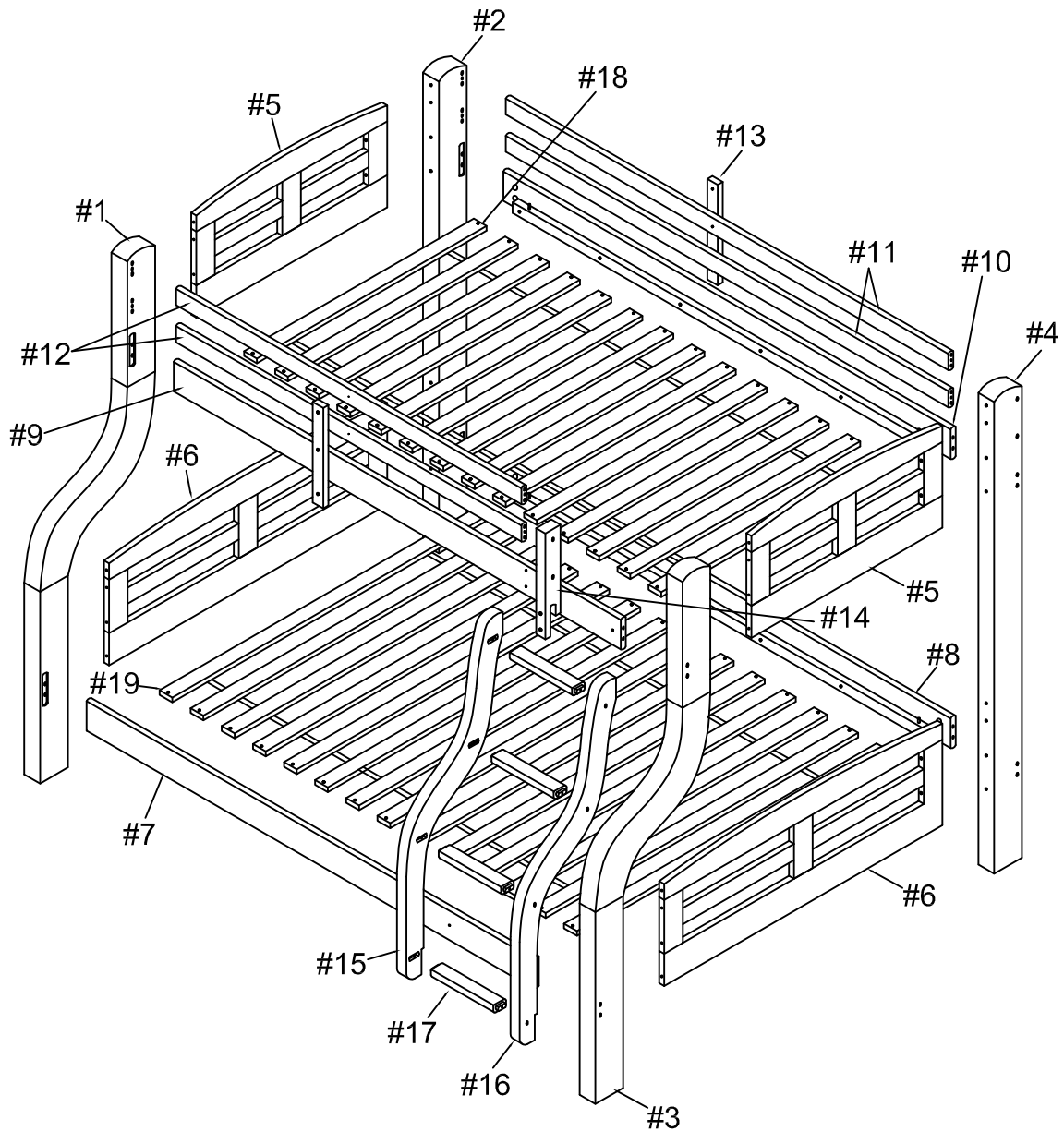
Parts List

-  #17 x 4pcs
Ladder Rung
-  #18 x 1set(14pcs)
Twin Slat Kit
-  #19 x 1set(14pcs)
Full Slat Kit



Before you begin, please read Page 2 of "Assembly and Care Advice".

And remember, do not tighten until each step is completed or instructed.

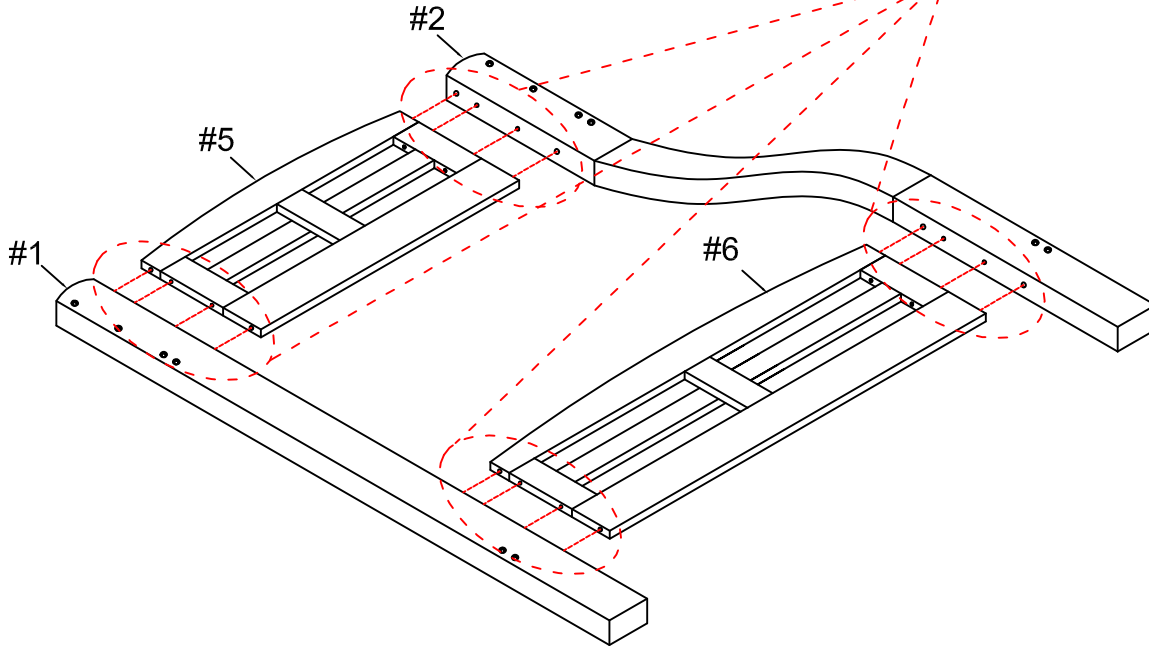
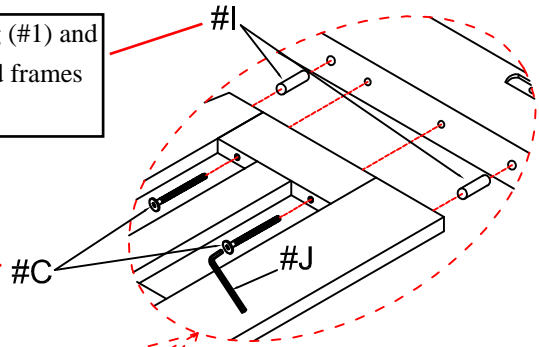




1) Insert dowels (#I) to the holes of front left leg (#1) and left rear leg (#2), then align and attach footboard frames (#5,6) to the dowels (#I) of the legs (#1,2).

#C x 8pcs
#I x 8pcs

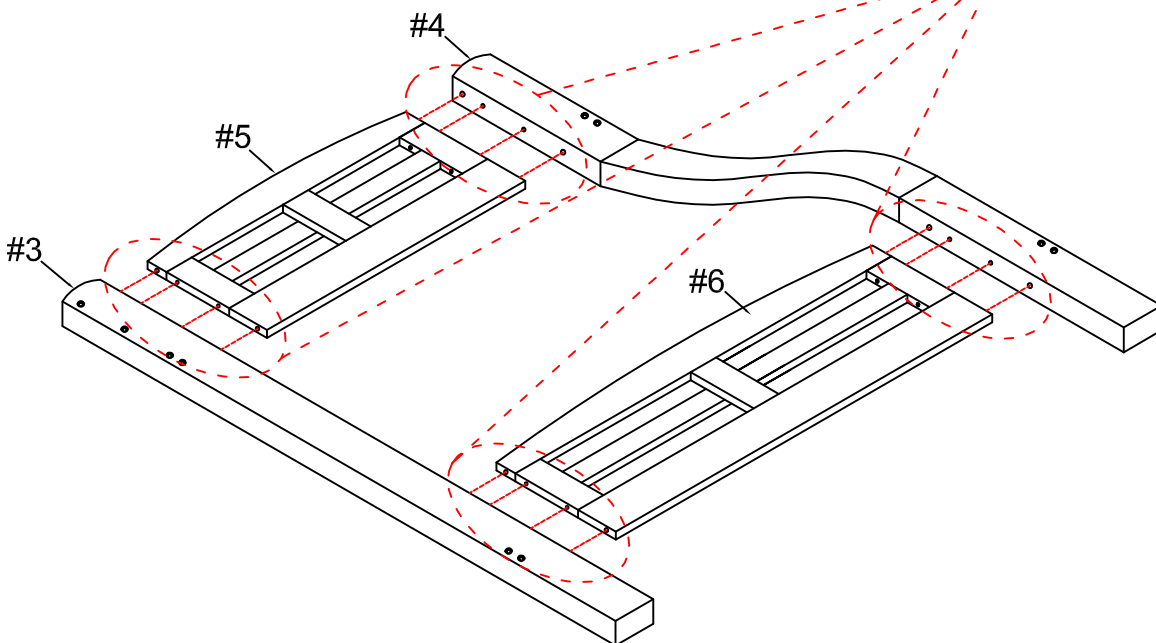
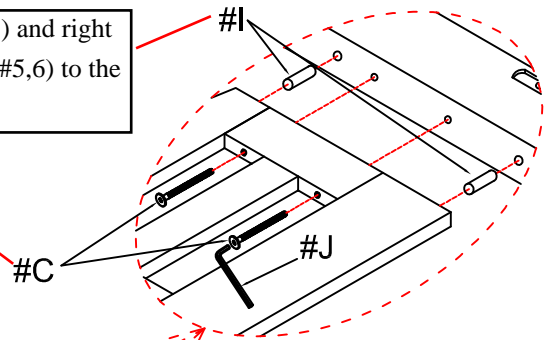
2) Secure footboard frames (#5,6) to legs (#1,2) with bolts (#C).



1) Insert dowels (#I) to the holes of front right leg (#3) and right rear leg (#4), then align and attach footboard frames (#5,6) to the dowels (#I) of the legs (#3,4).

#C x 8pcs
#I x 8pcs

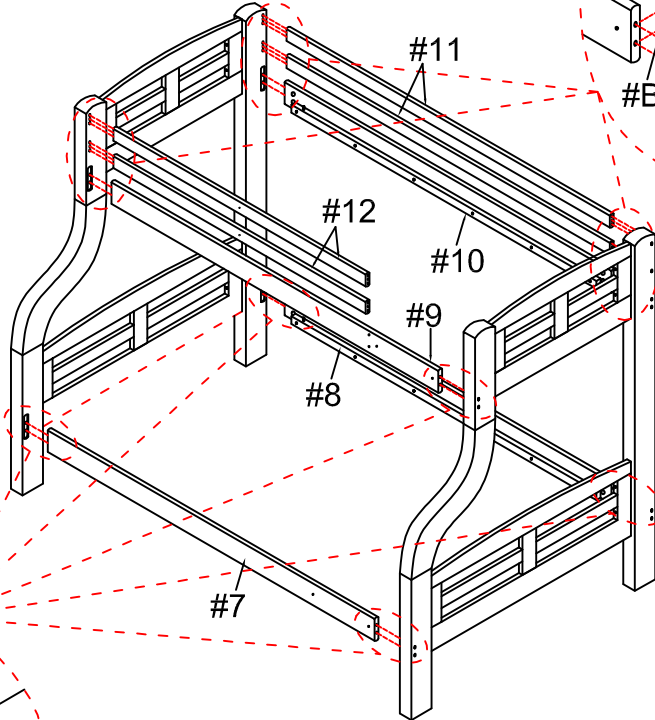
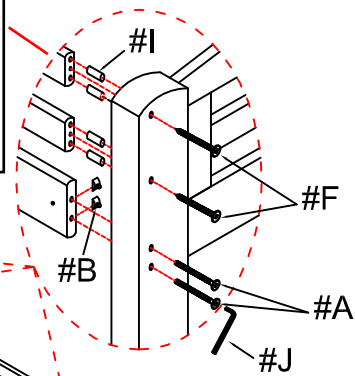
2) Secure footboard frames (#5,6) to legs (#3,4) with bolts (#C).



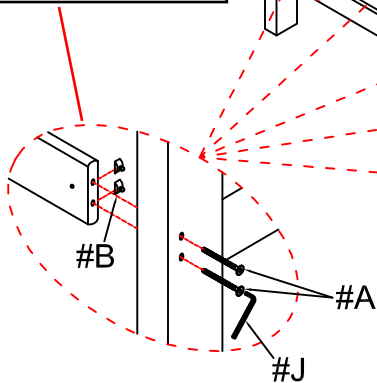


1) Insert 2 dowels (#I) to each side of the back and front guardrails (#11,12). Insert 2 barrel nuts (#B) to each side of the lower side rails (#7,8) and upper side rails (#9,10). Align back and front guardrails (#11,12) to the upper holes of the headboard/footboard posts. Secure with screws (#F).

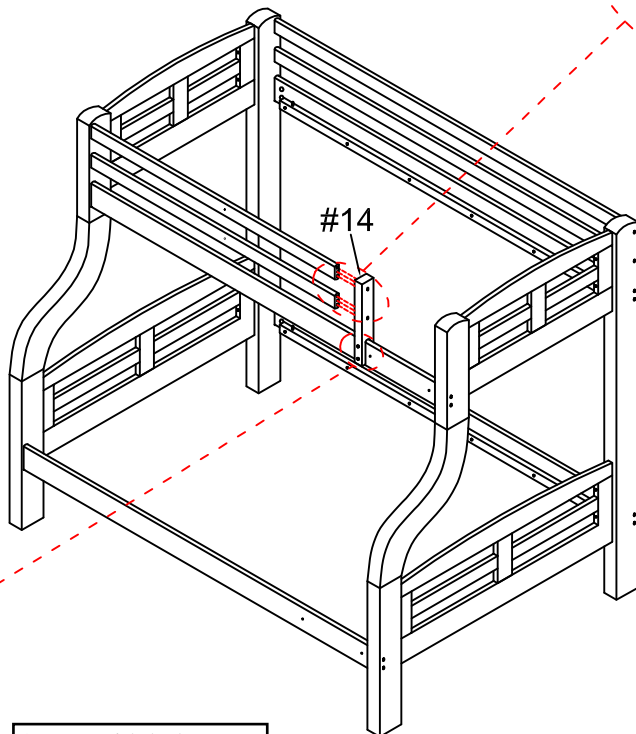
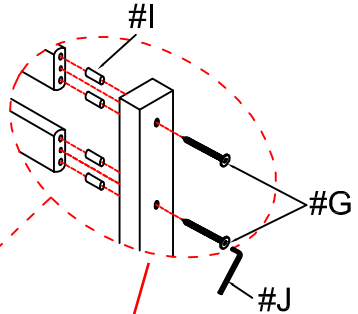
#A x 16pcs
#B x 16pcs
#F x 6pcs
#I x 12pcs



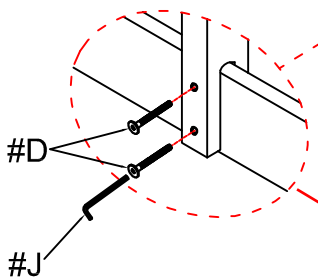
2) Align guardrails (#7,8,9,10) to the holes of the headboard/footboard posts. Secure by tightening bolts (#A) to the barrel nuts (#B).



#D x 2pcs
#G x 2pcs
#I x 4pcs



1) Align guardrail attachment (#14) to the dowels of the front guardrails (#12) and holes of the upper front side rail (#9). Secure with screws (#G).



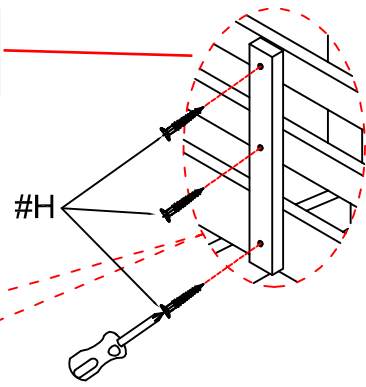
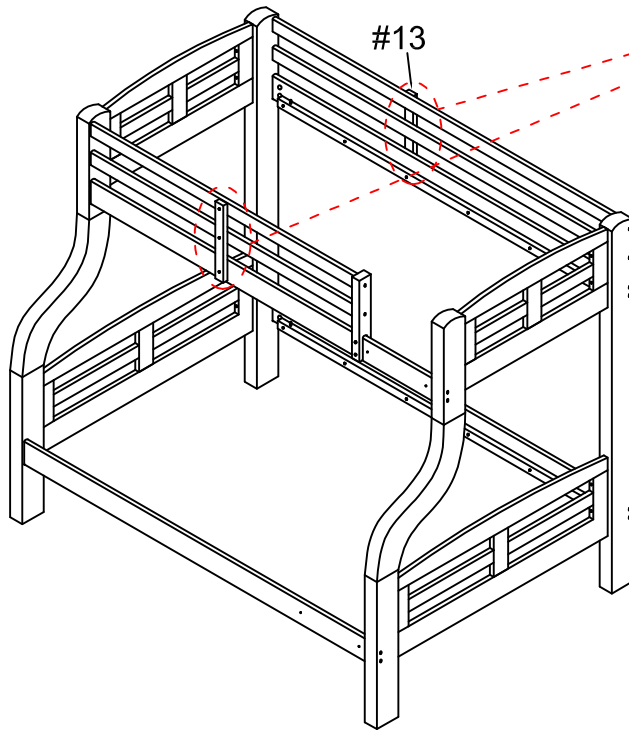
Secure with bolts (#D).



#5

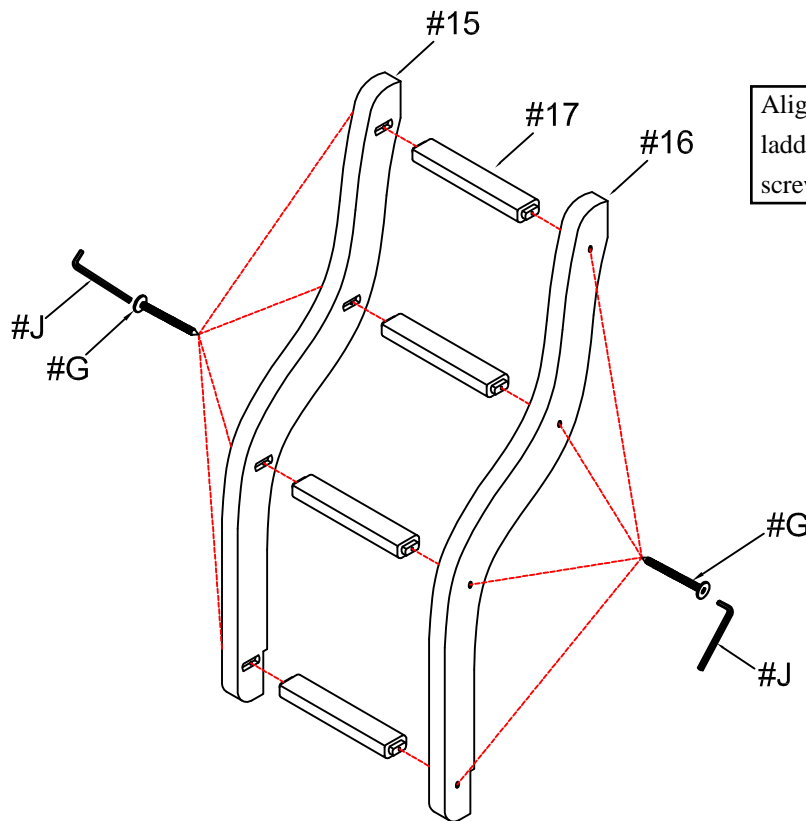
Align the guardrail supports (#13) to the upper guardrails, then secure with screws (#H).

#H x 6pcs



#6

#G x 8pcs

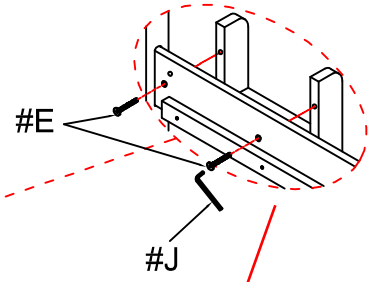
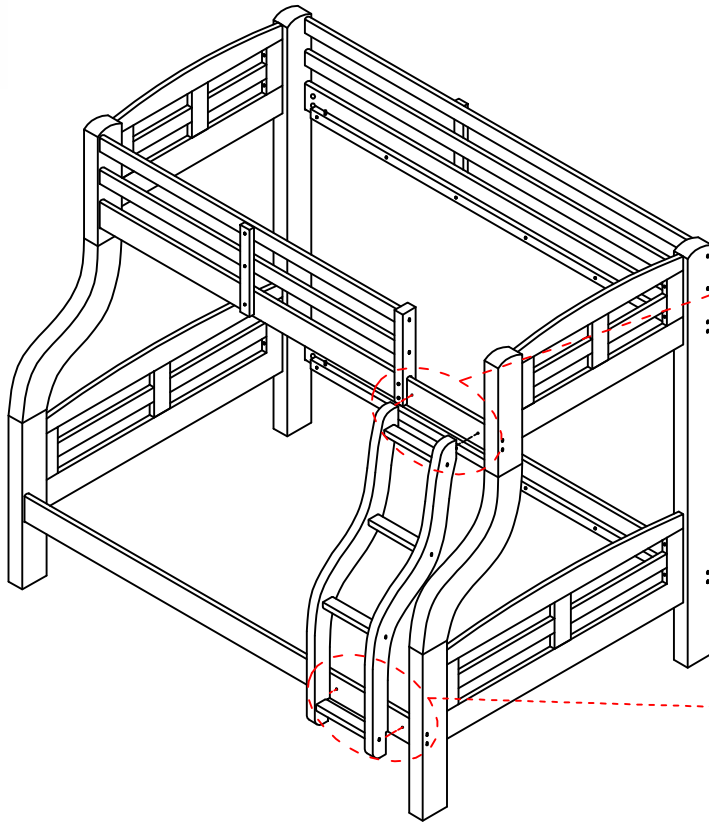


Align the ladder rung (#17) to the ladder rails (#15,16). Secure with screws (#G).

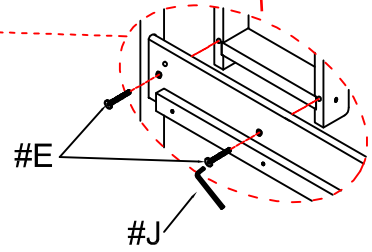


#7

#E x 4pcs



Align the ladder to the holes of the guardrails. Secure with bolts (#E).



#8

#H x 56pcs

Align slat kits (#18) to the upper and bottom side rails. Secure with screws (#H).

