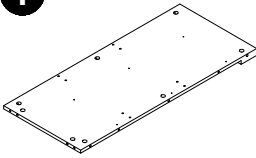


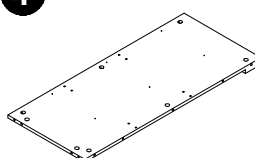


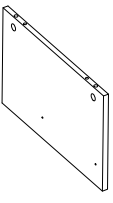
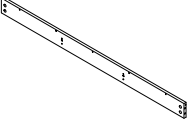
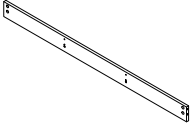
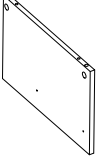
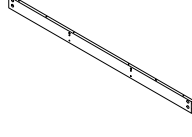
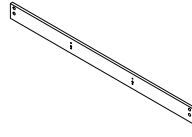
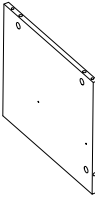
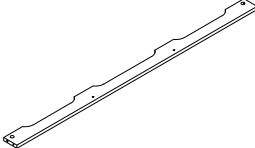
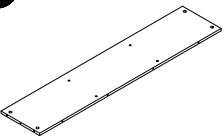
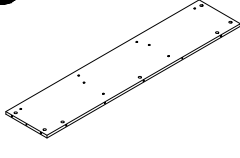
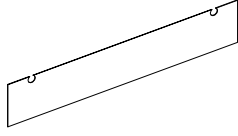
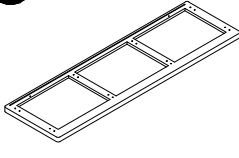
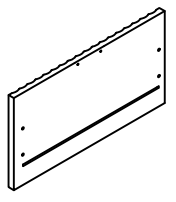
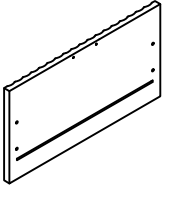
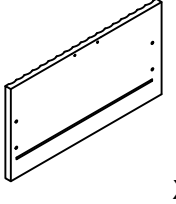
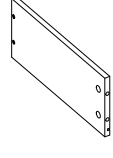
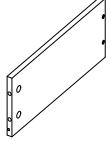
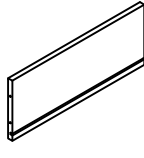
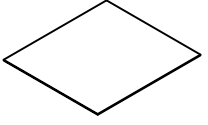


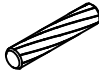
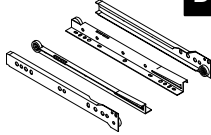



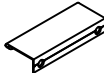



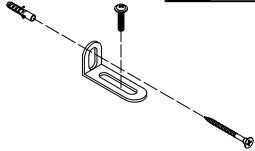

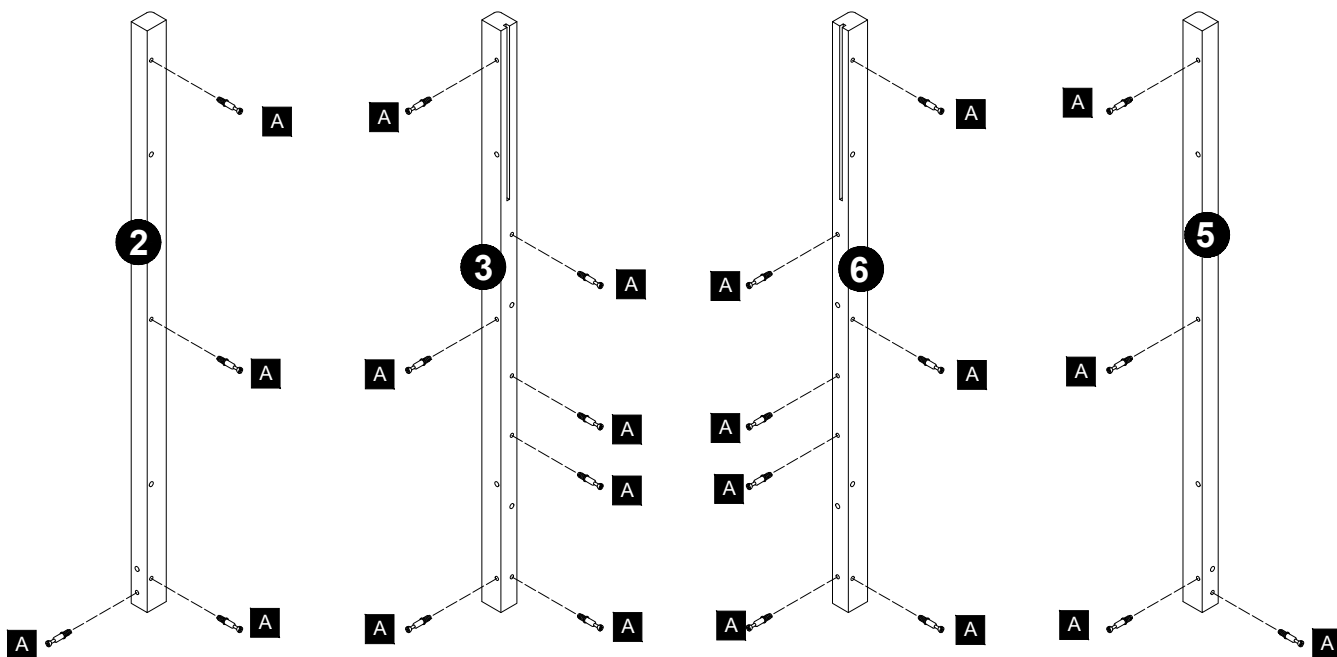
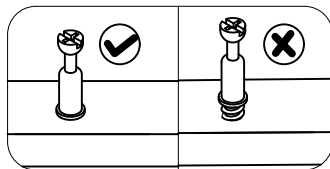


<p>1</p>  <p>X1</p>	<p>2</p>  <p>X1</p>	<p>3</p>  <p>X1</p>	<p>4</p>  <p>X1</p>	<p>5</p>  <p>X1</p>
<p>6</p>  <p>X1</p>	<p>7</p>  <p>X2</p>	<p>8</p>  <p>X1</p>	<p>9</p>  <p>X1</p>	<p>10</p>  <p>X2</p>
<p>11</p>  <p>X1</p>	<p>12</p>  <p>X1</p>	<p>13</p>  <p>X2</p>	<p>14</p>  <p>X1</p>	<p>15</p>  <p>X1</p>
<p>16</p>  <p>X1</p>	<p>17</p>  <p>X1</p>	<p>18</p>  <p>X1</p>	<p>19</p>  <p>X3</p>	<p>20</p>  <p>X3</p>
<p>21</p>  <p>X3</p>	<p>22</p>  <p>X9</p>	<p>23</p>  <p>X9</p>	<p>24</p>  <p>X9</p>	<p>25</p>  <p>X9</p>

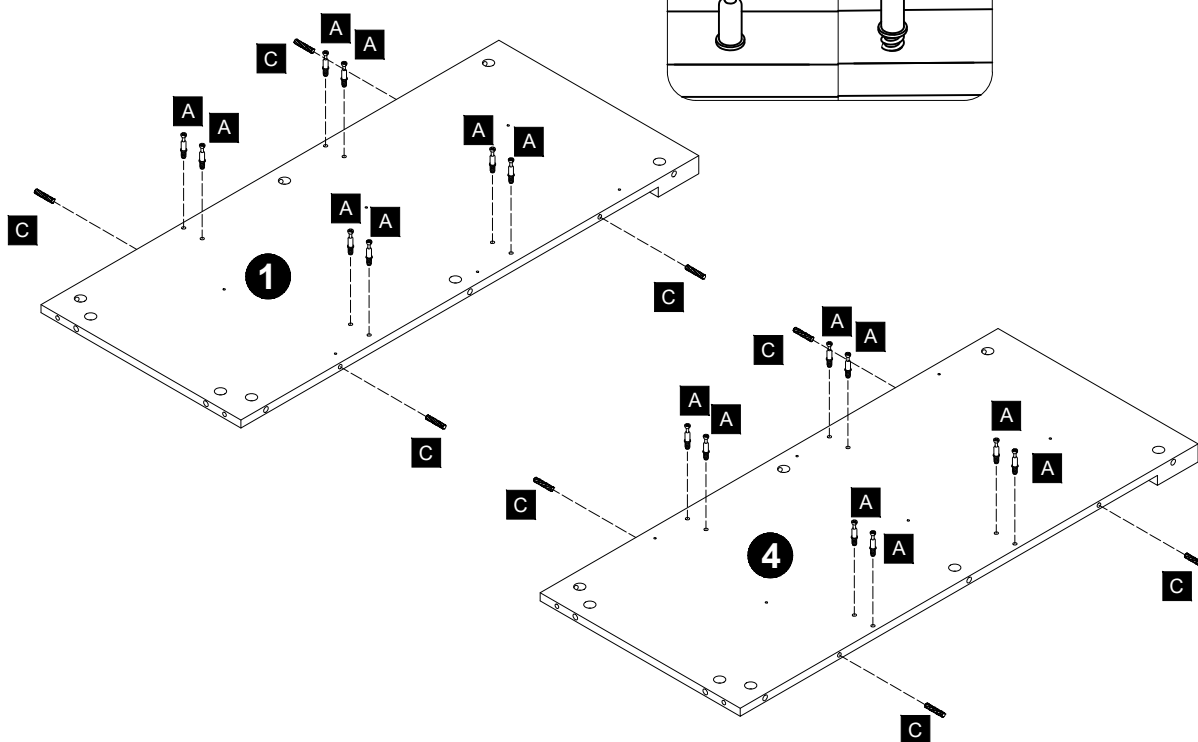
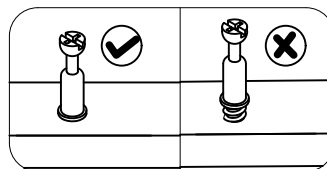
<p>A X95</p>  <p>6x32mm</p>	<p>B X95</p>  <p>15x10mm</p>	<p>C X46</p>  <p>6x30mm</p>	<p>D X 9</p>  <p>10"</p>
<p>E X 20</p>  <p>5x40mm</p>	<p>F X90</p>  <p>3x12mm</p>	<p>G X36</p>  <p>4x30mm</p>	<p>H X9</p>  <p>80x32x13mm</p>
<p>I X6</p>  <p>3x17mm</p>	<p>J X6</p> 	<p>K X36</p>  <p>Ø20mm</p>	<p>L X 2</p> 
<p>X 1</p> 			

A X 22

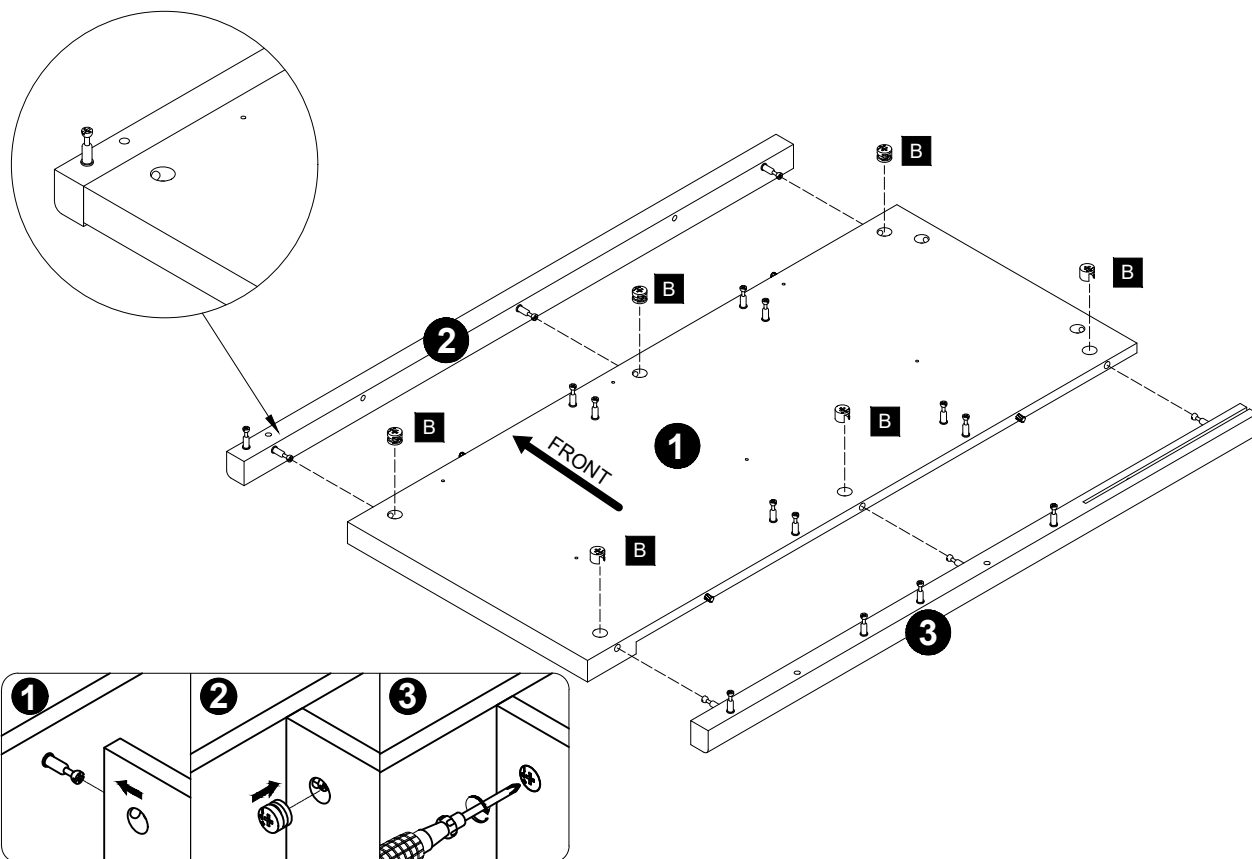


A X 16

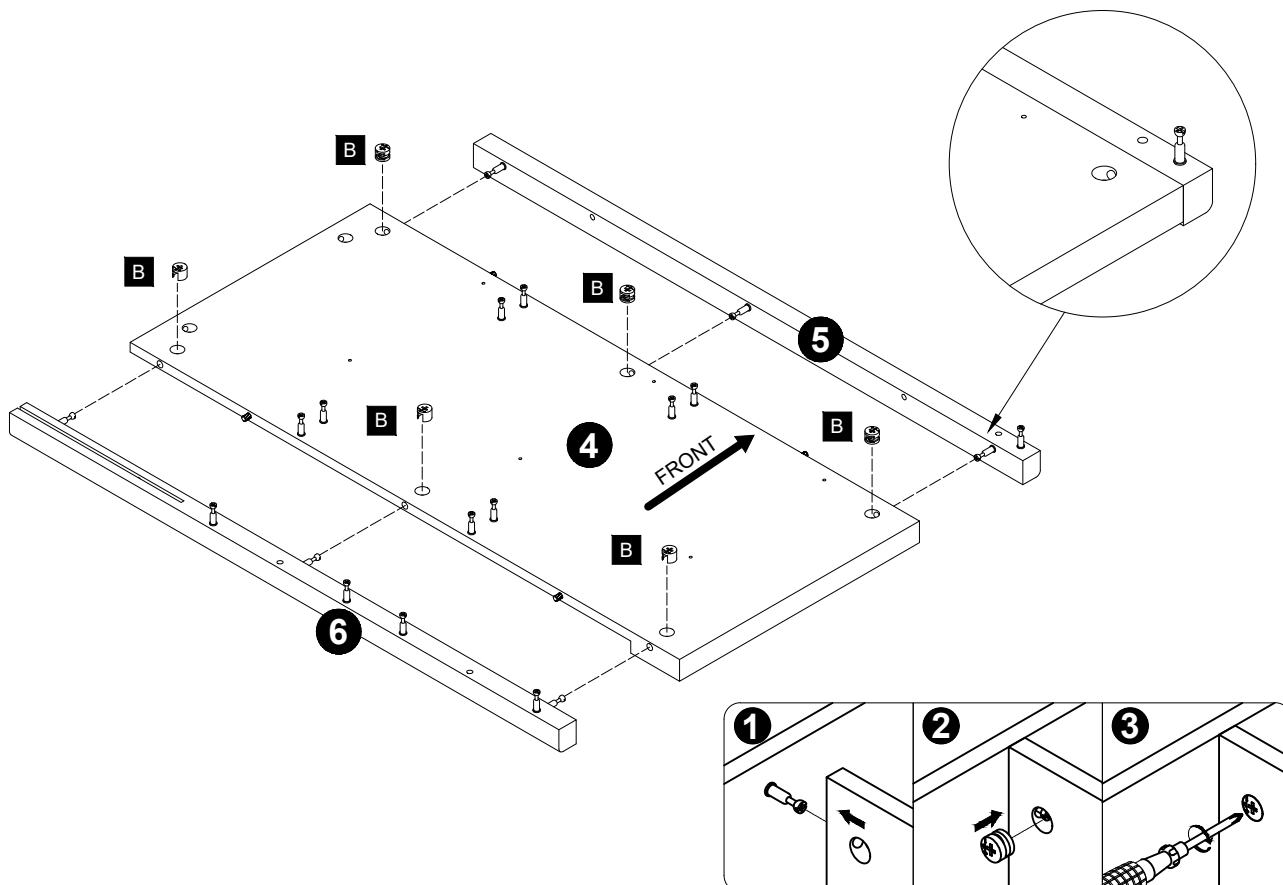
C X 8



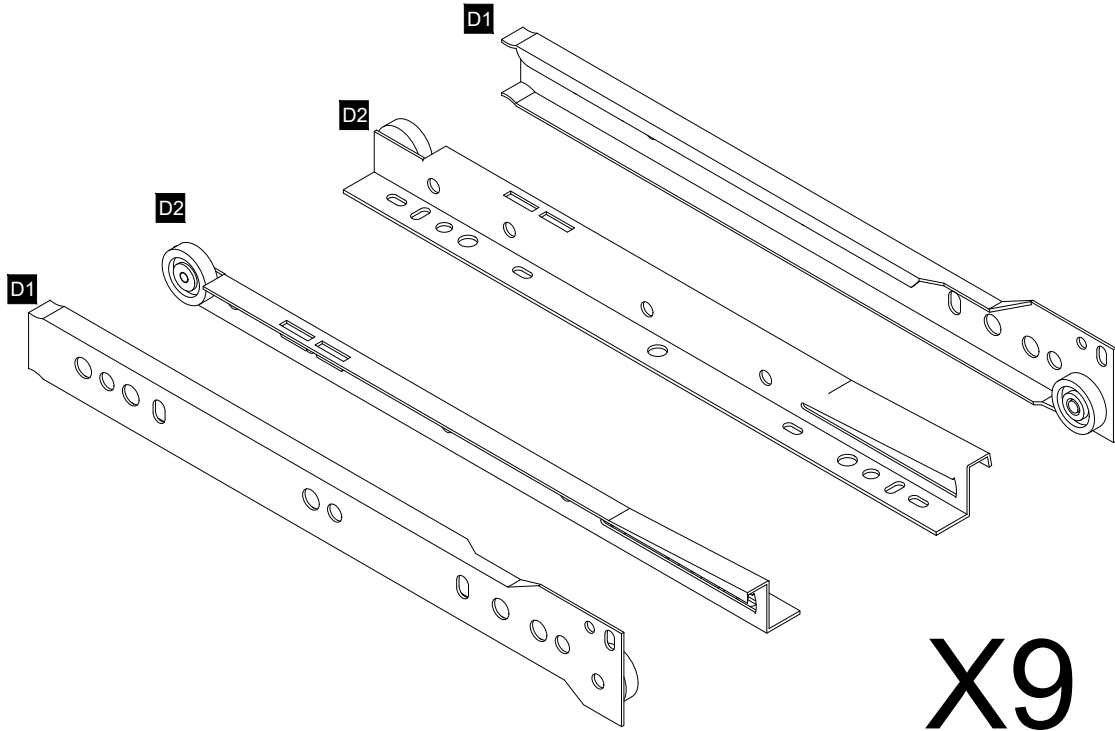
B X6



B X6

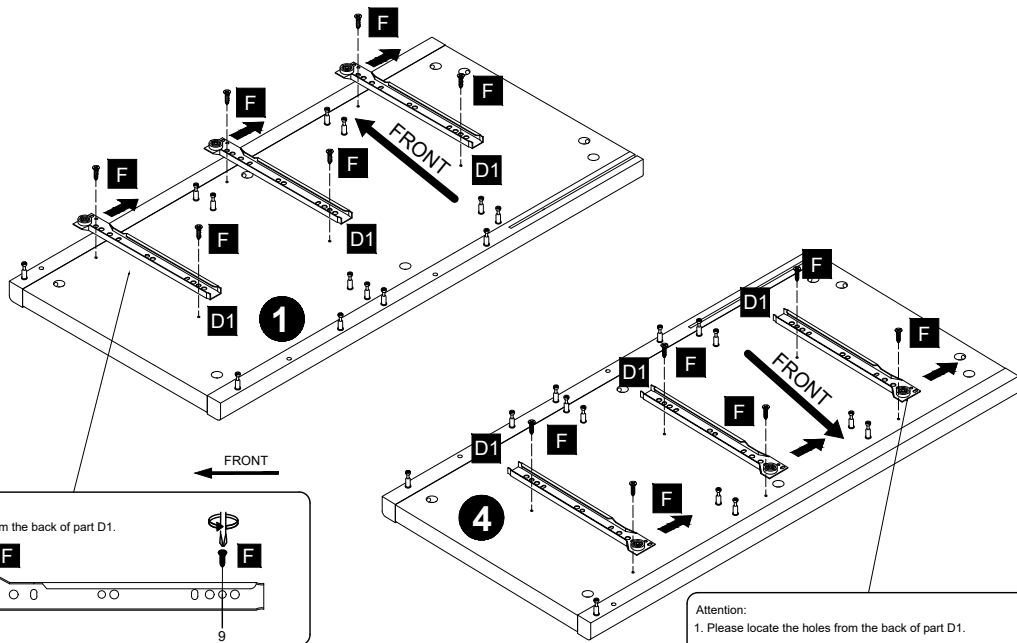


D X9



X9

F X12



Attention:
1. Please locate the holes from the back of part D1.

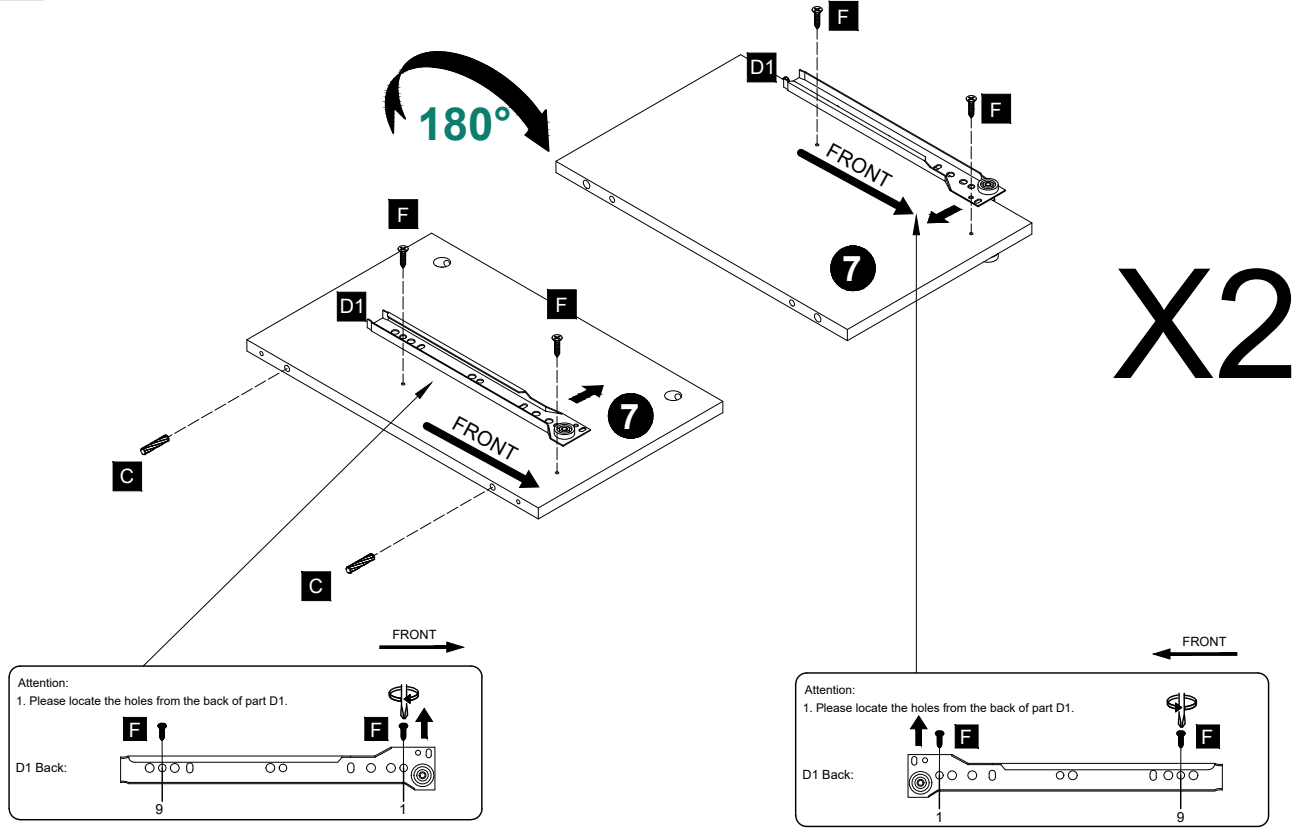
D1 Back:

Attention:
1. Please locate the holes from the back of part D1.

D1 Back:

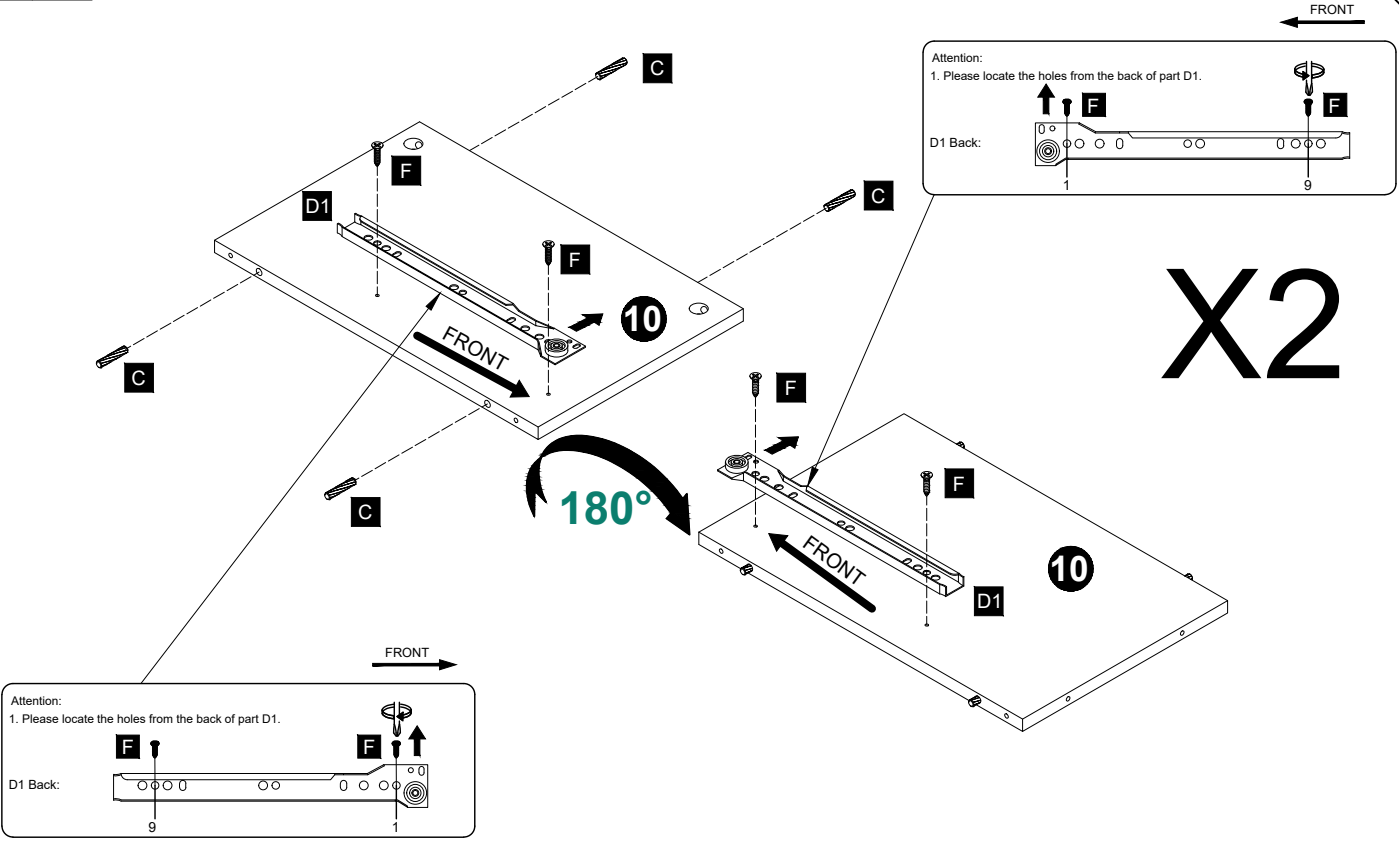
C X4

F X8



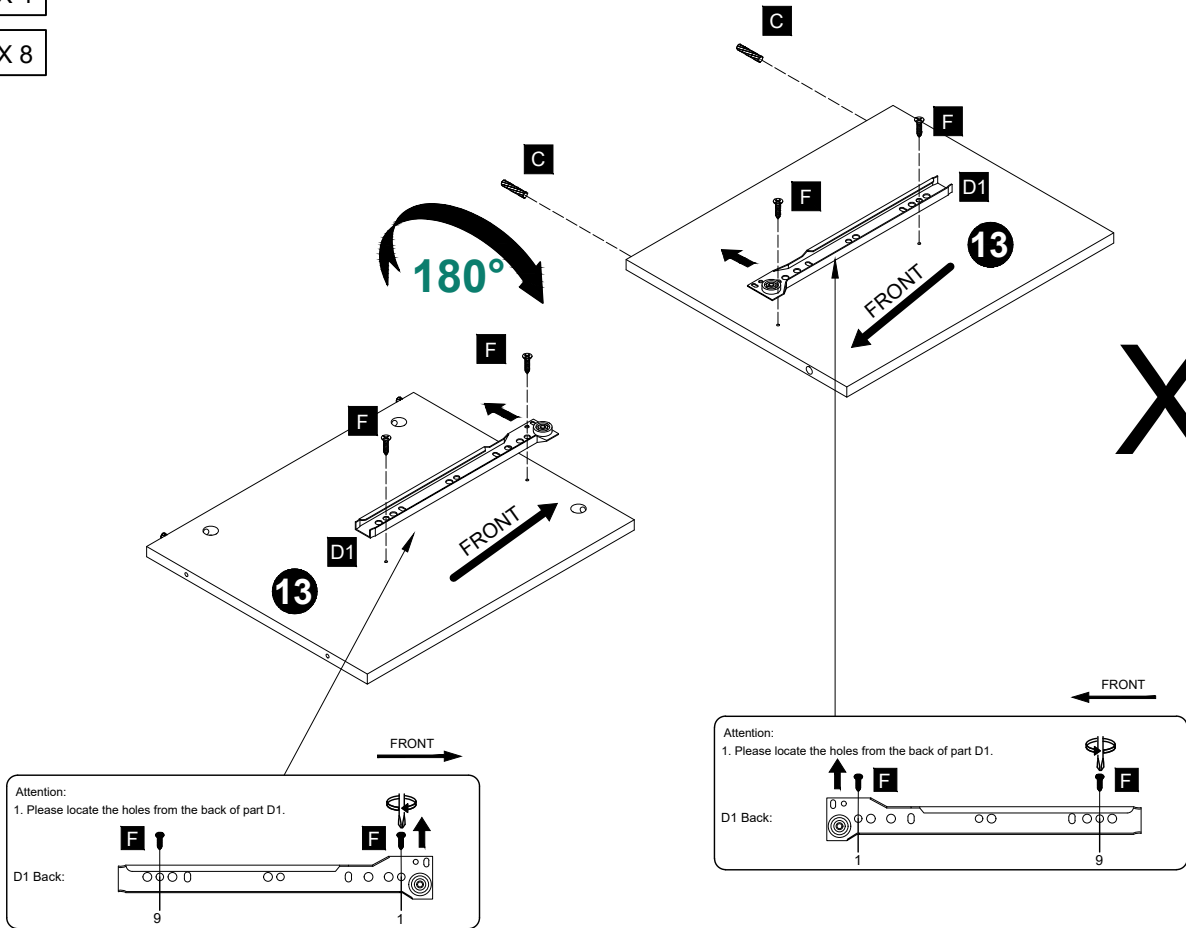
C X8

F X8

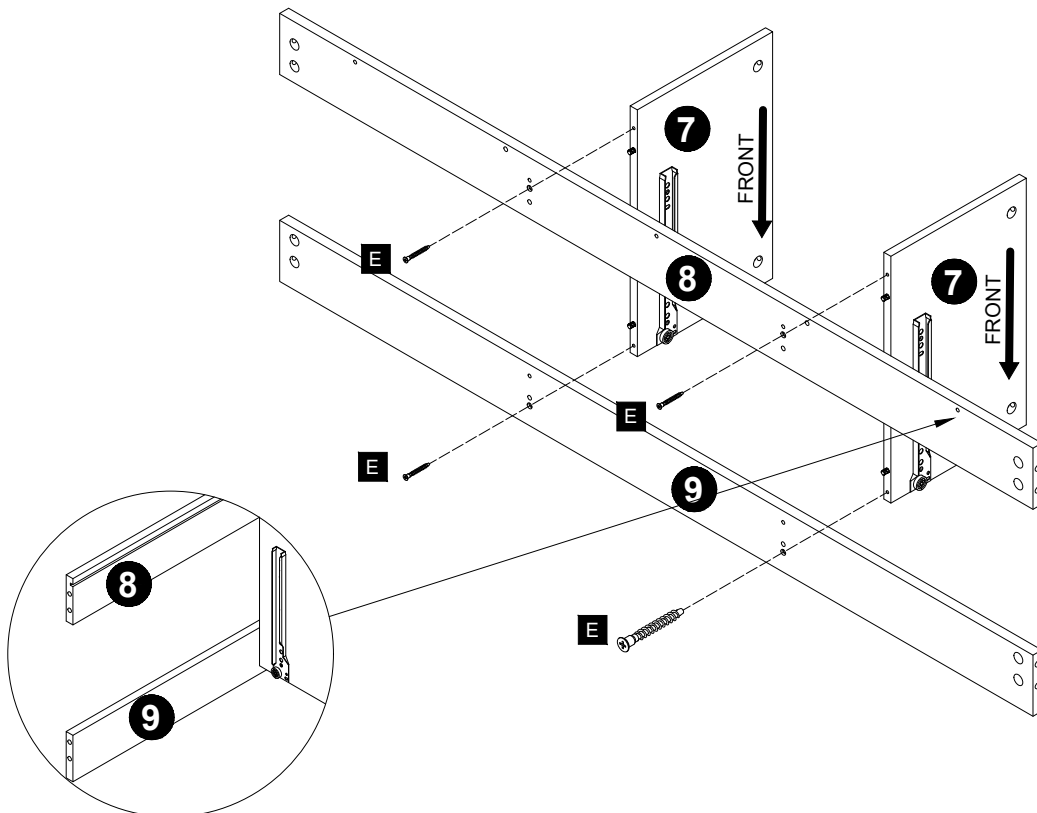


C X 4

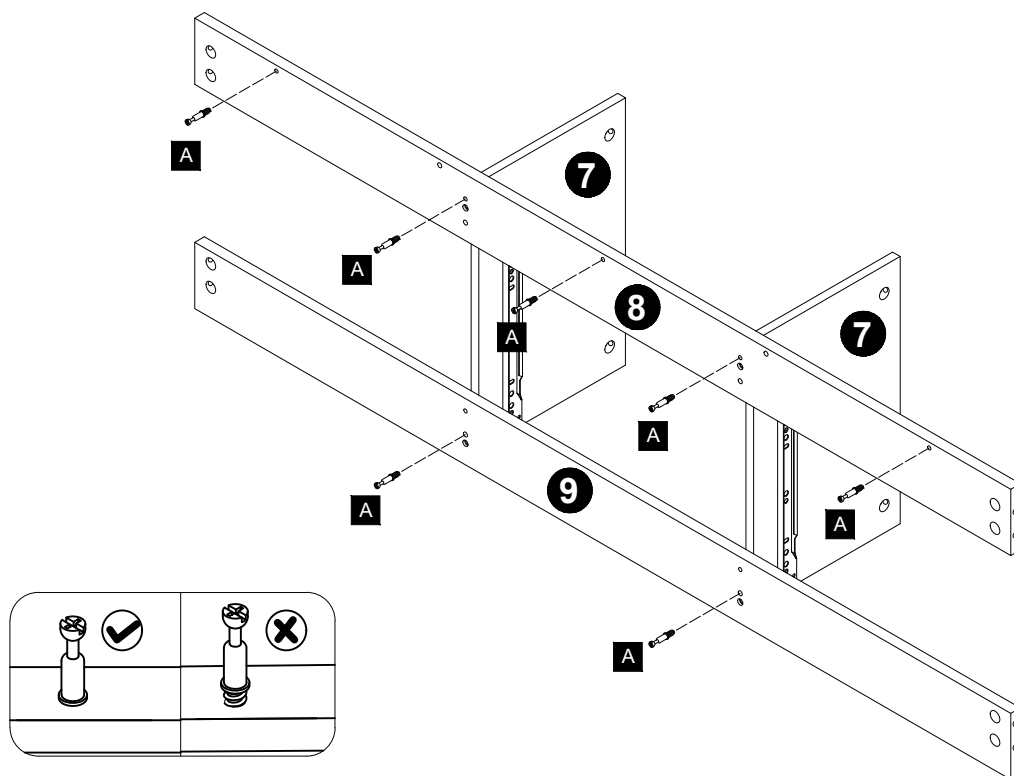
F X 8



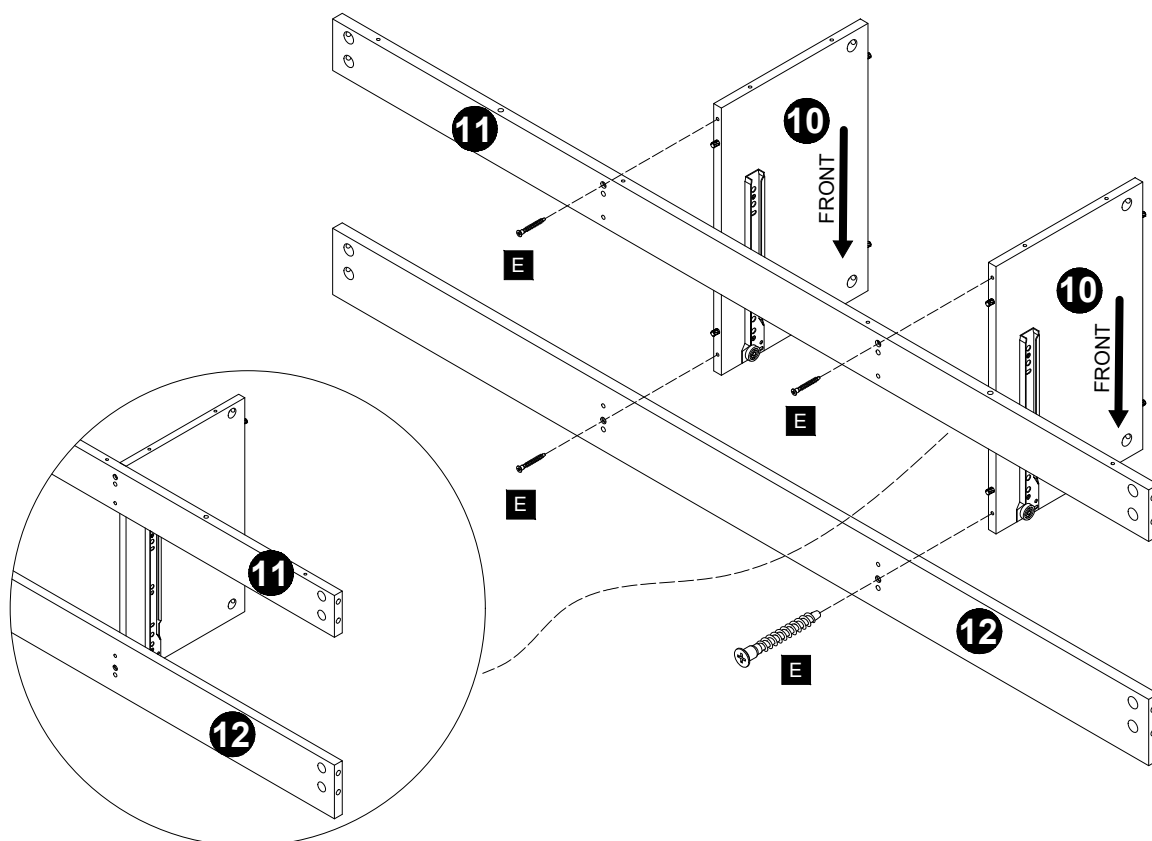
E X 4



A X7

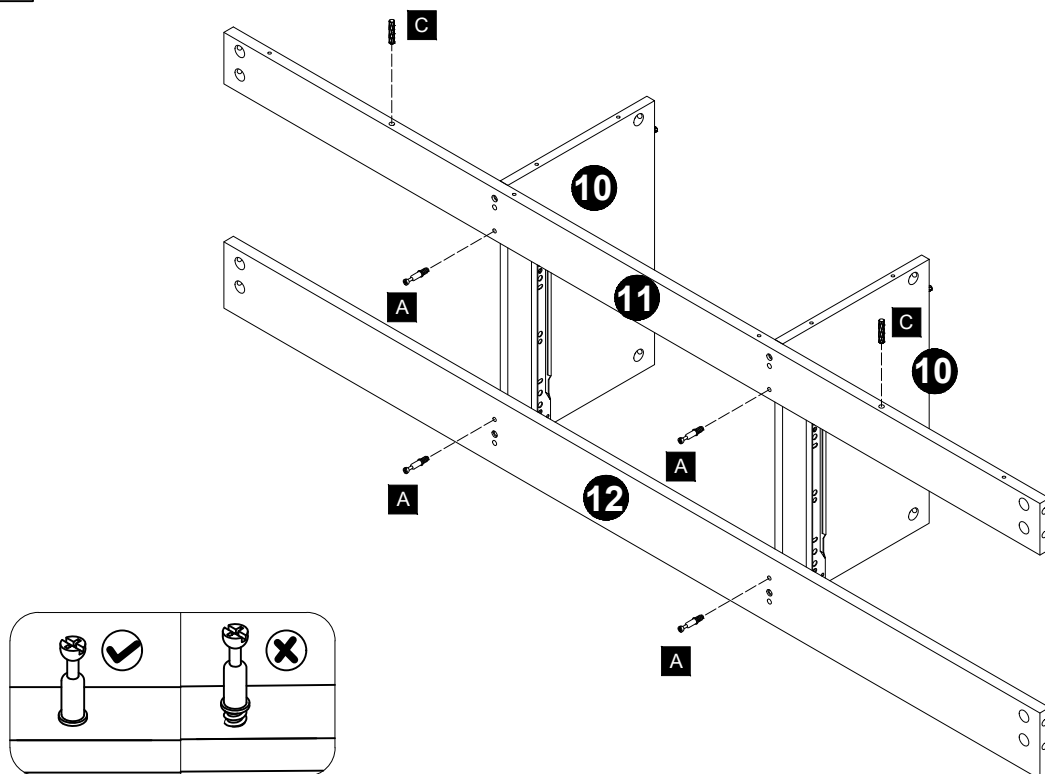


E X4



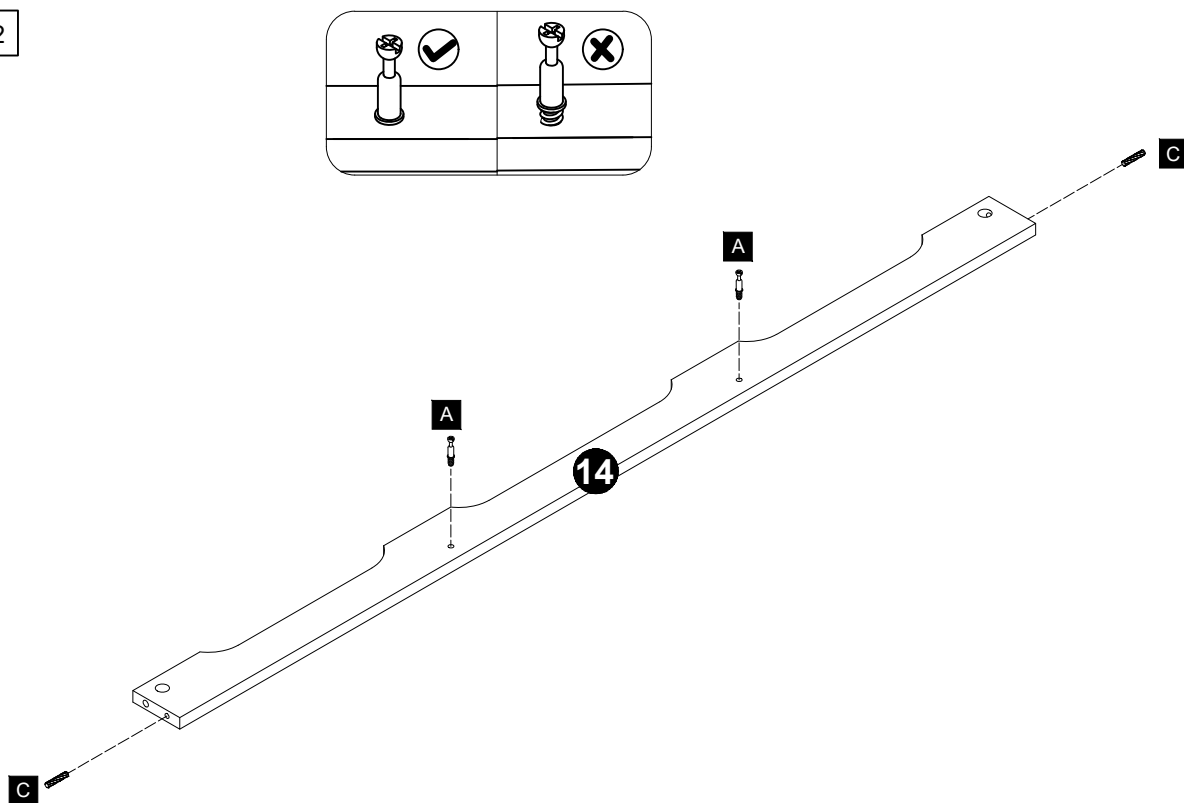
A X4

C X2

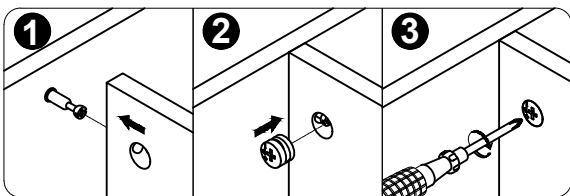
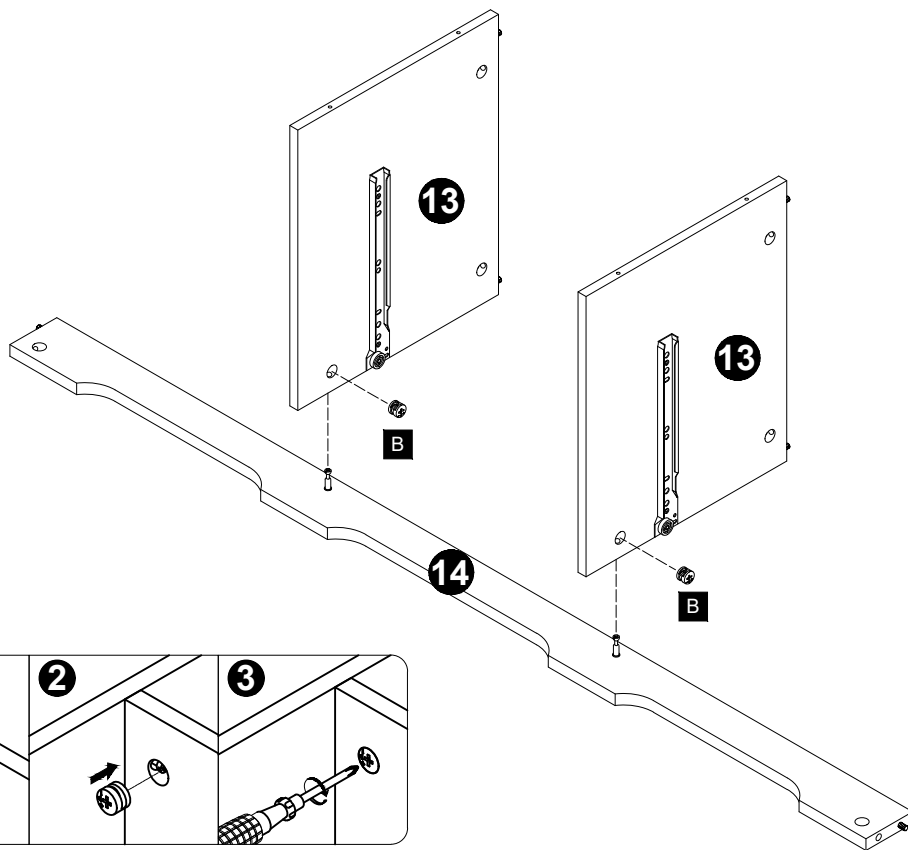


A X2

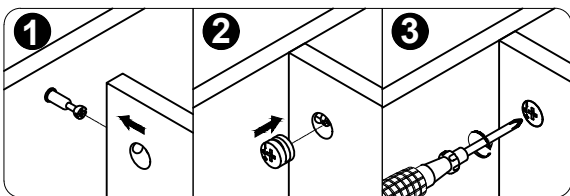
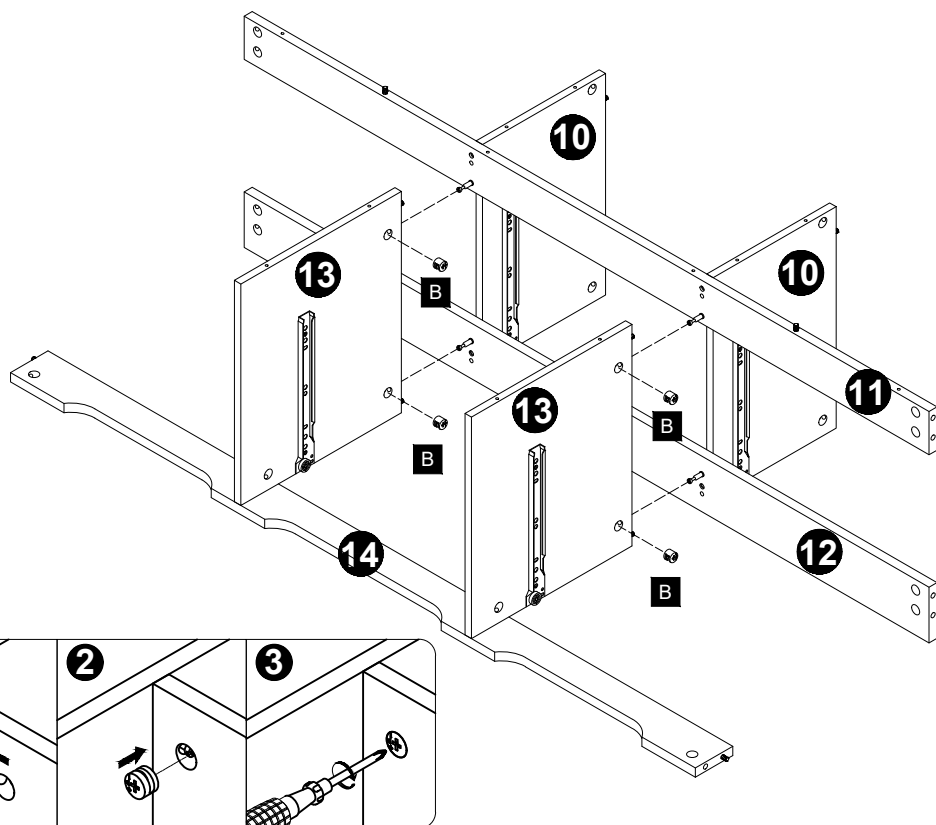
C X2



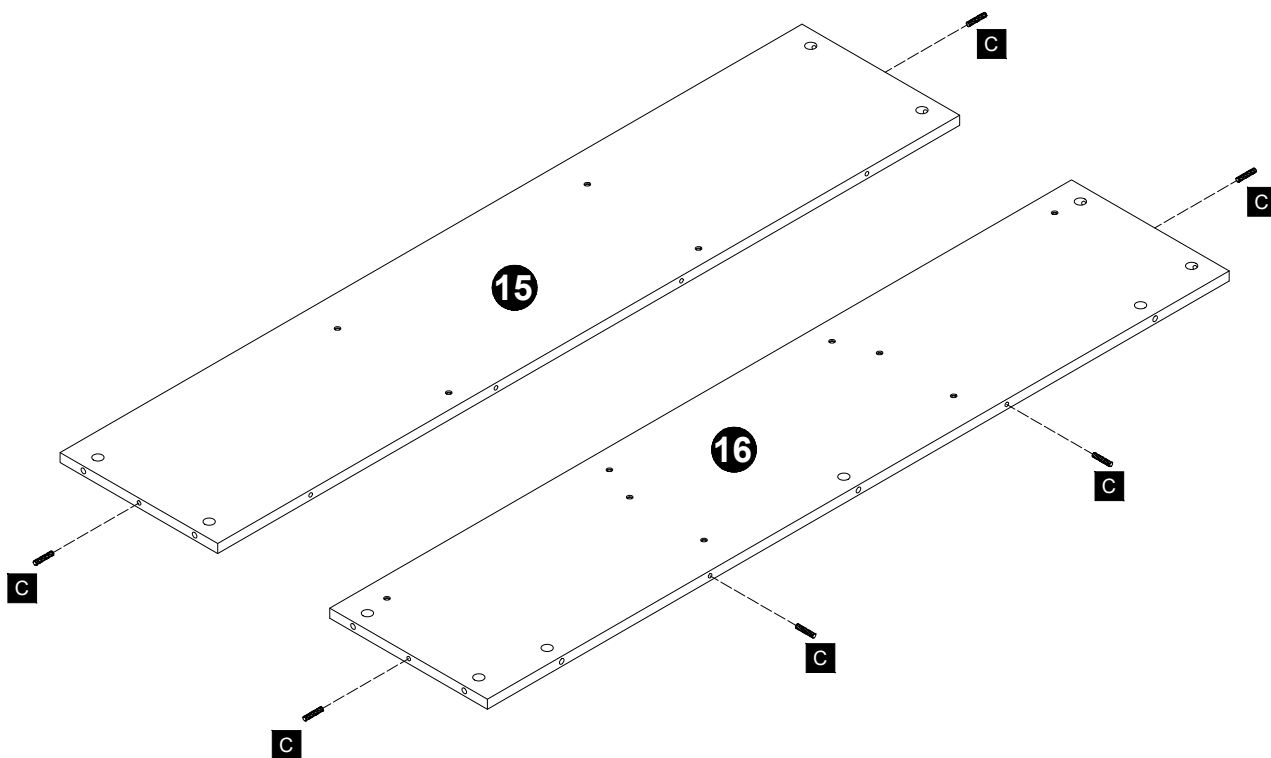
B X2



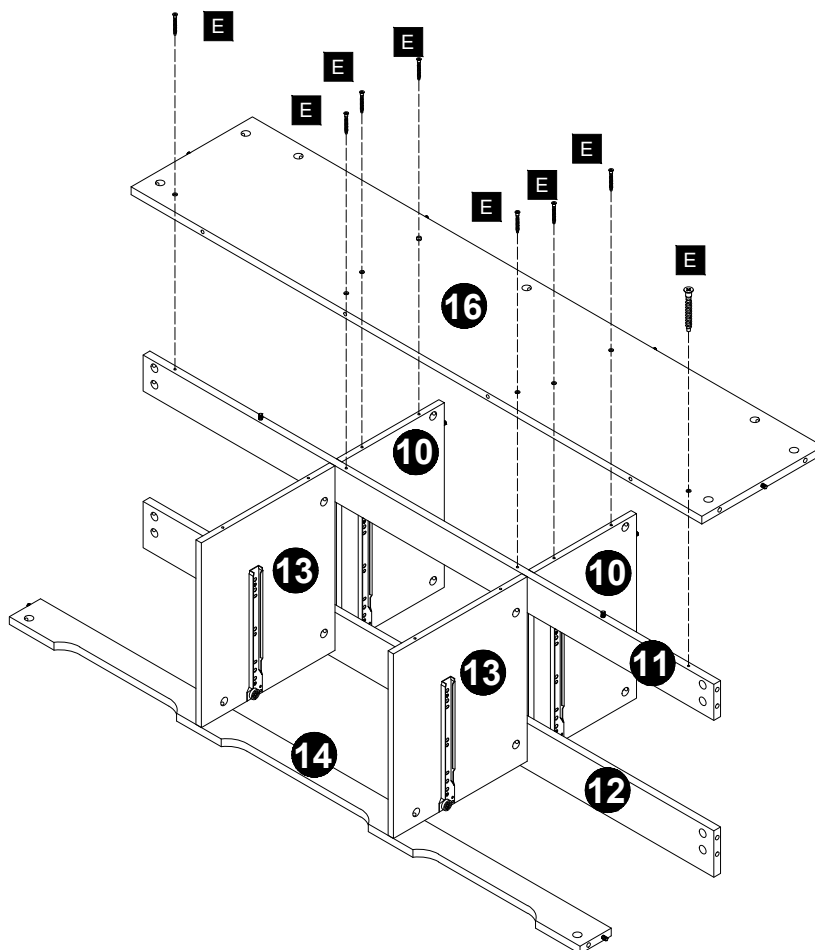
B X4



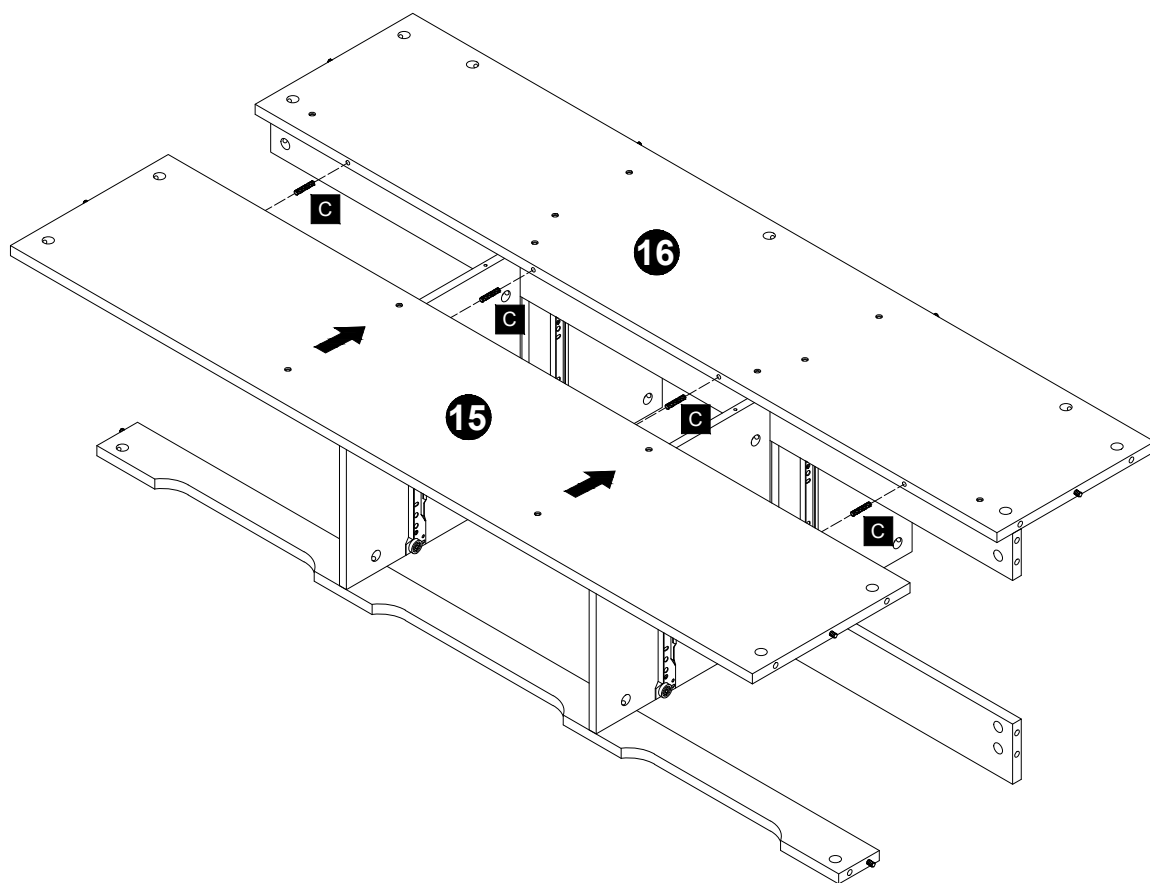
C X 6



E X 8

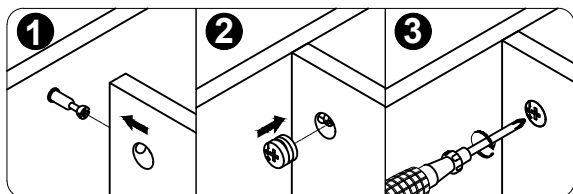
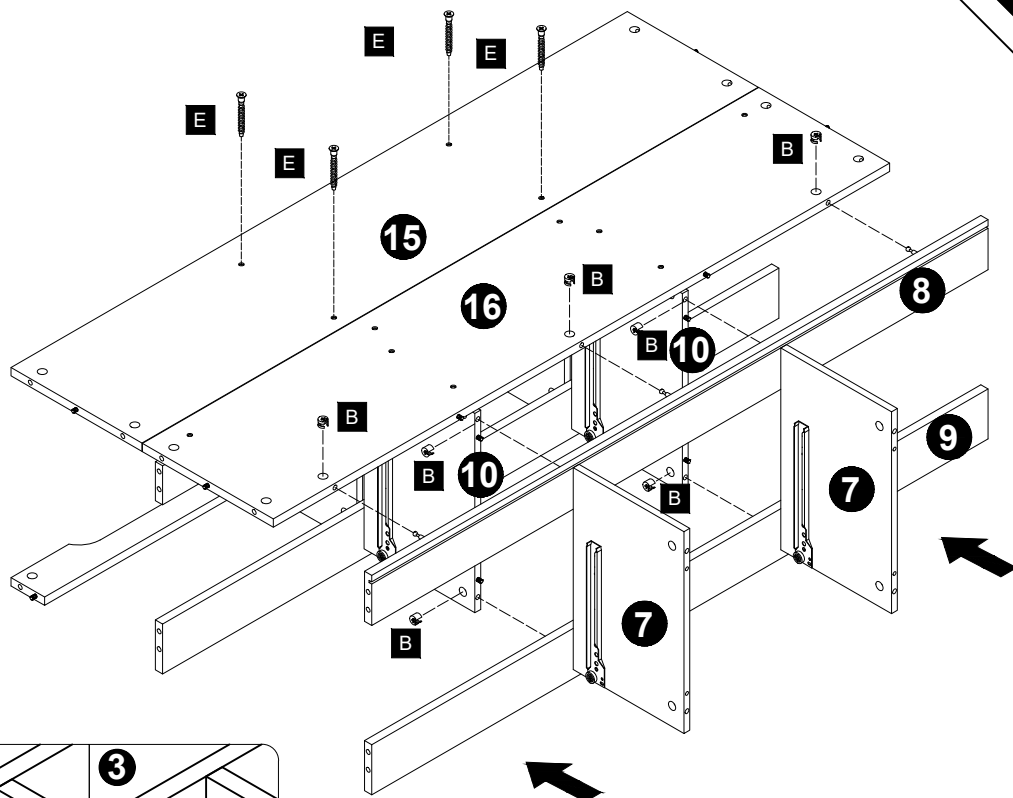


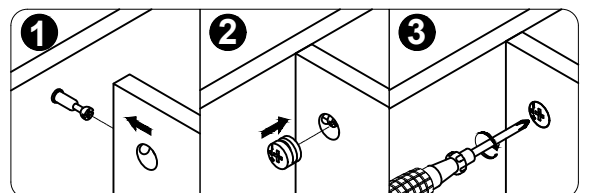
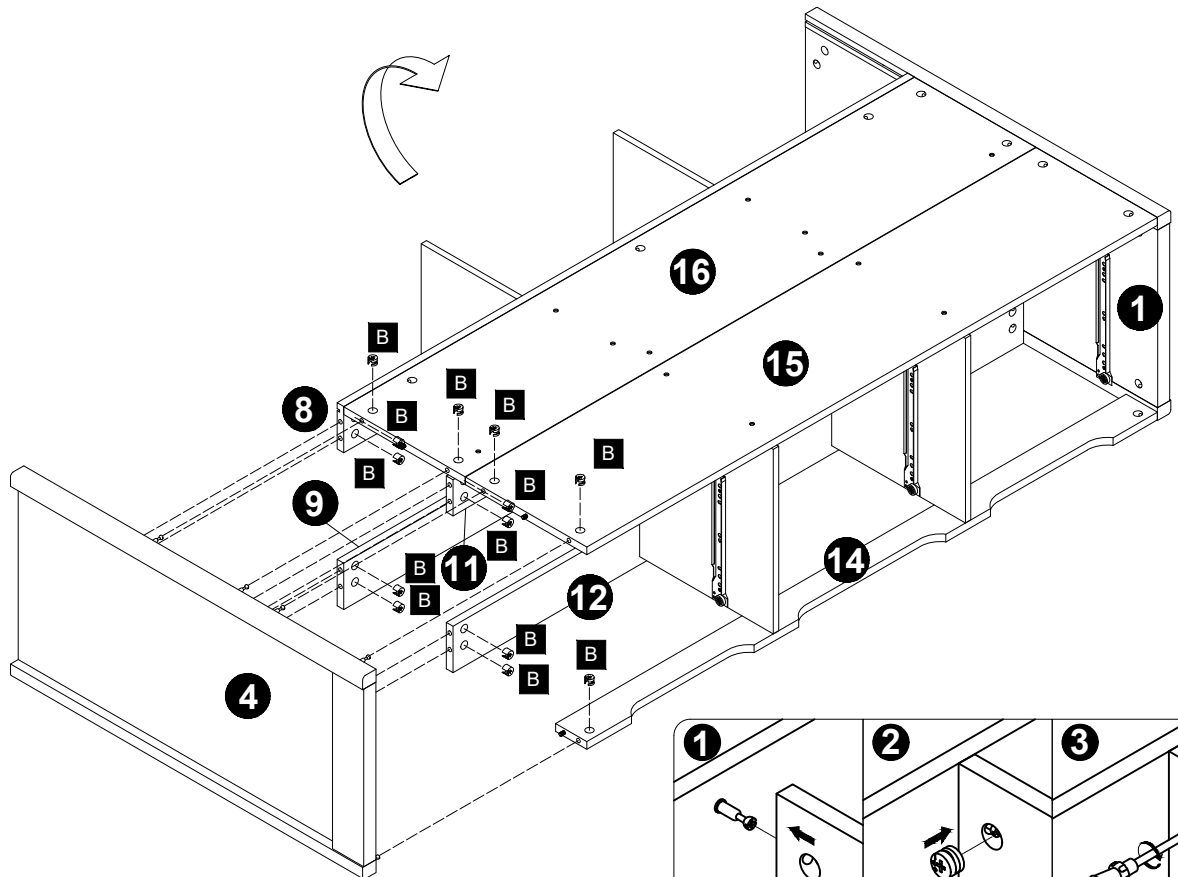
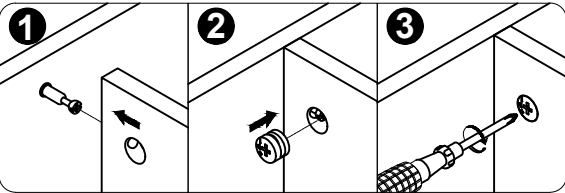
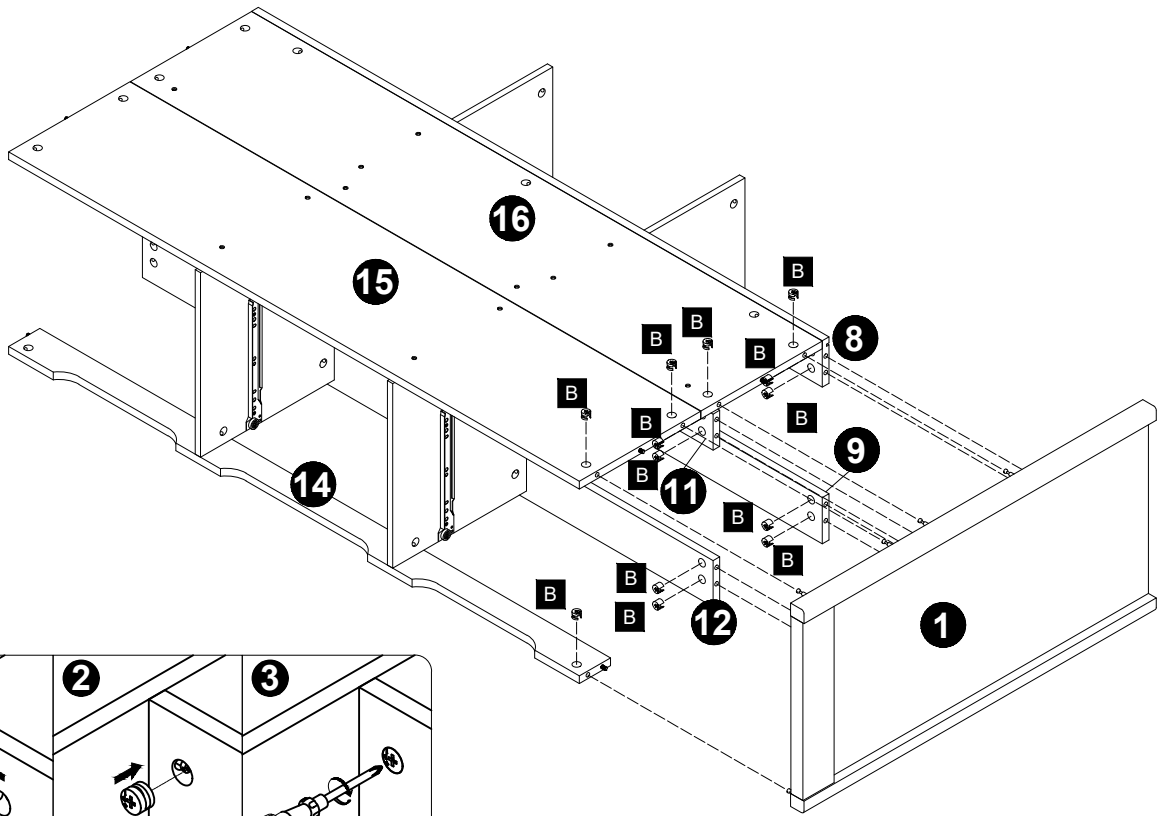
C X4



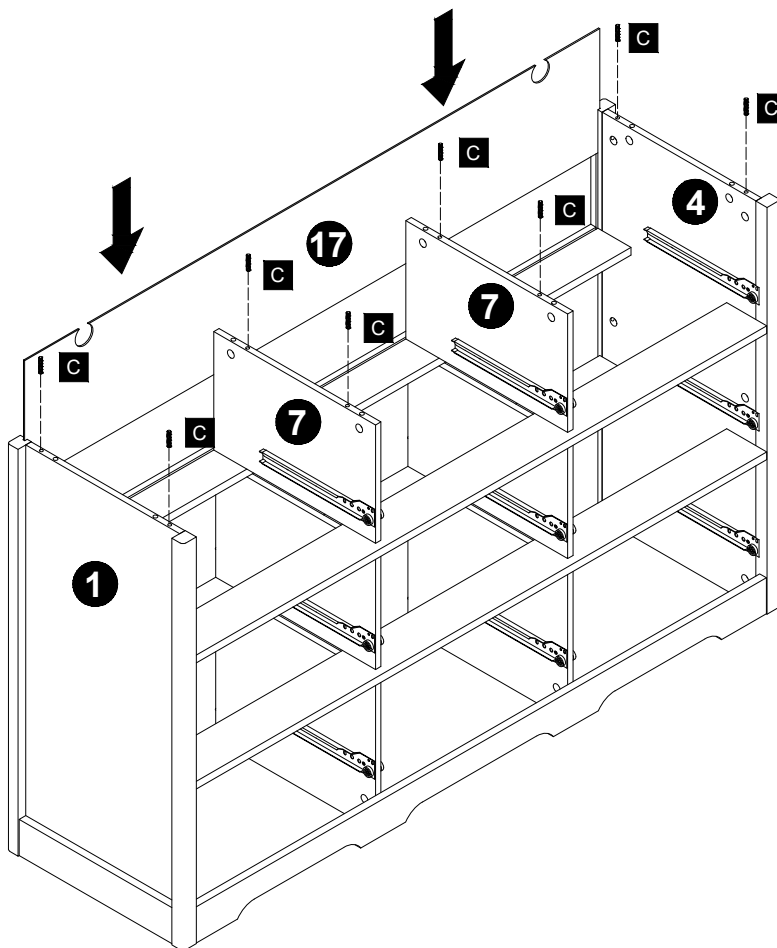
B X7

E X4



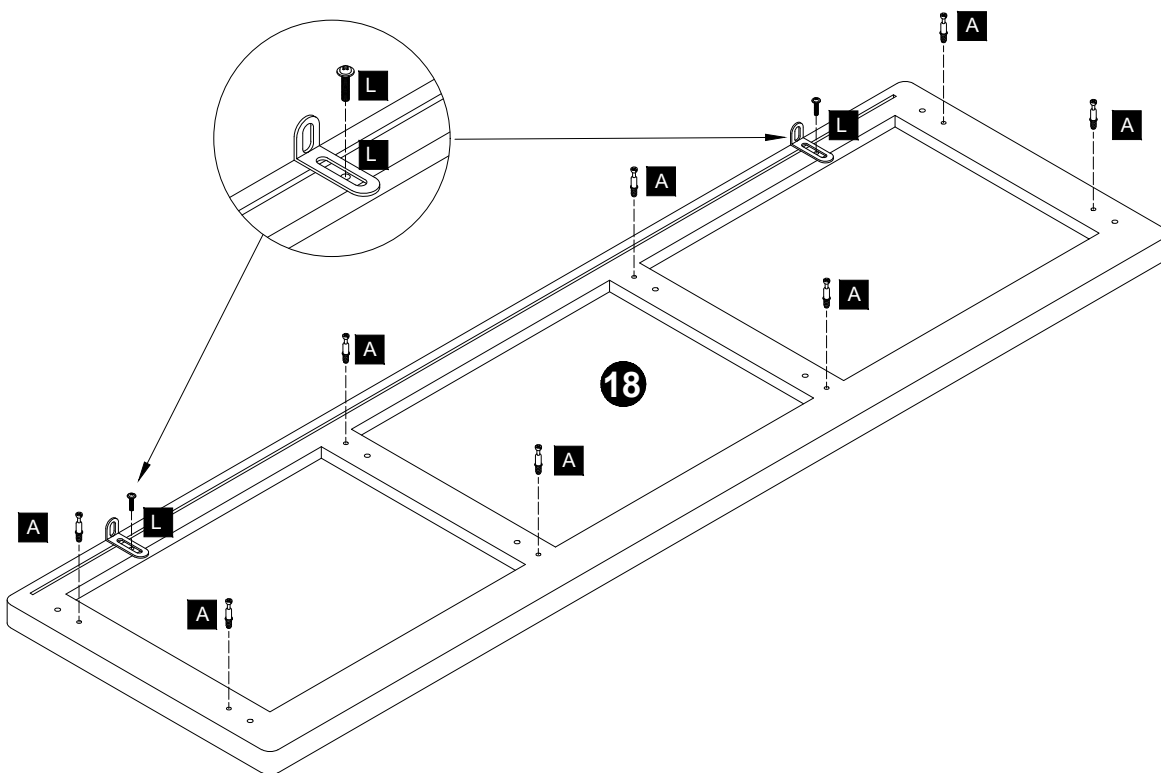


C X 8

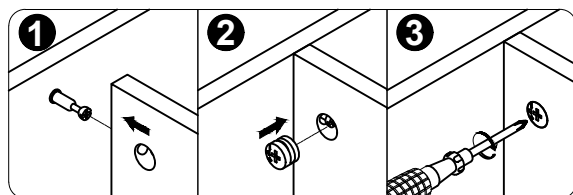


A X 8

L X 2

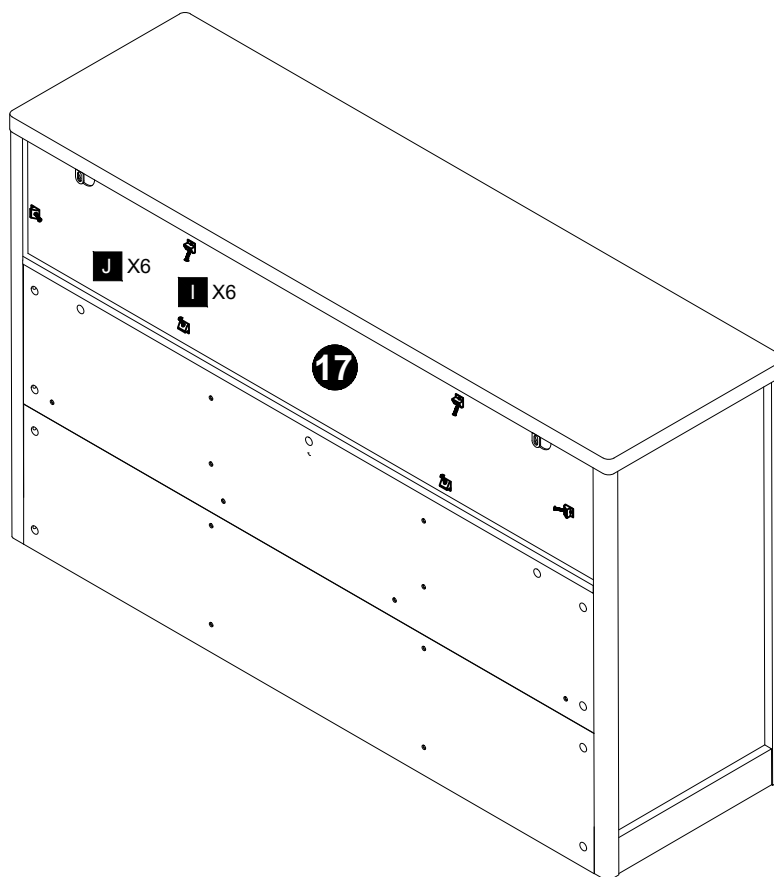
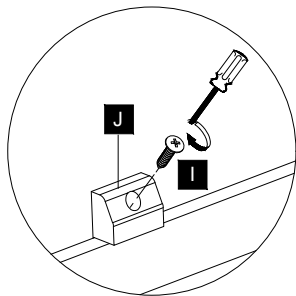
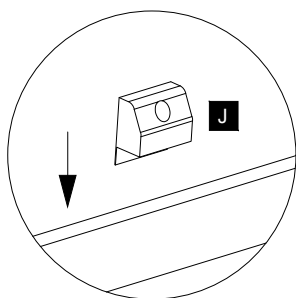


B X8



I X6

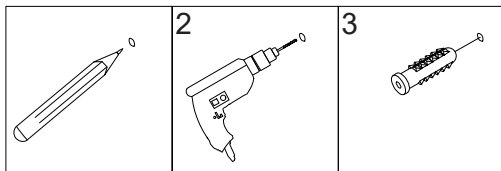
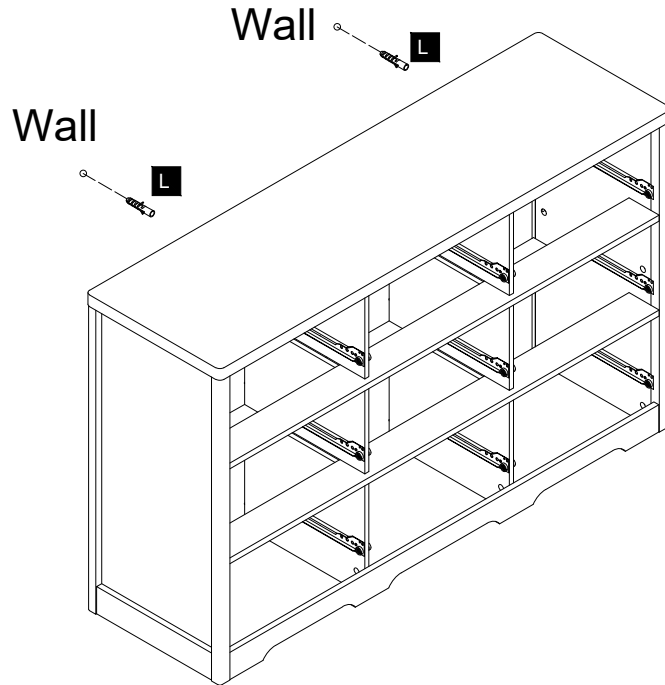
J X6



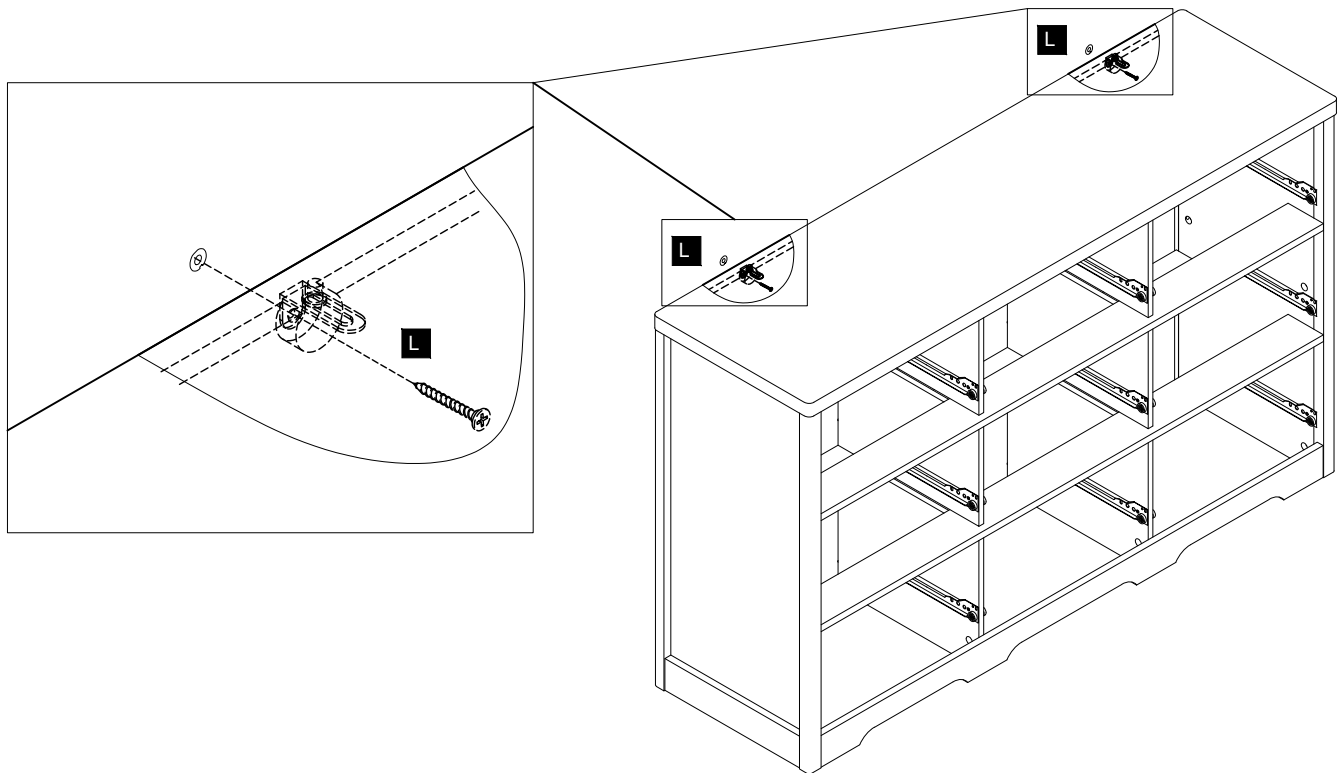
L X2

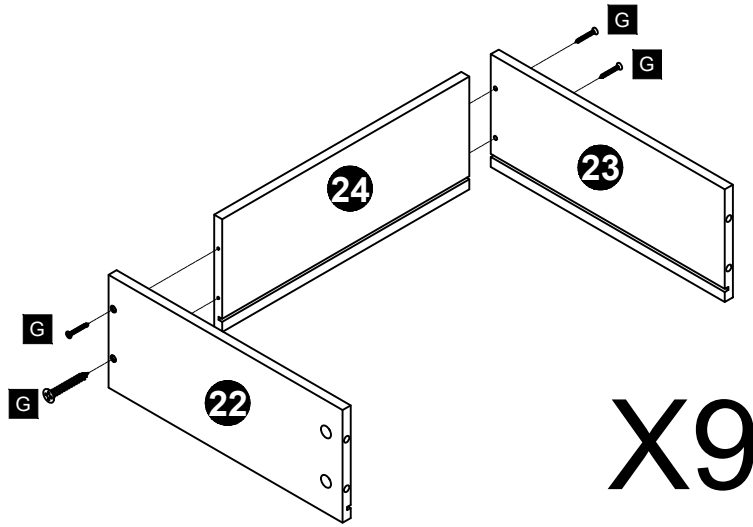
WARNING

Serious or fatal injuries can occur from furniture tipping over. To prevent the furniture from tipping over we recommend that it is permanently fixed to the wall. Wall anchor and hardware are included with this product. Please make sure hardware is suitable for your walls before installing, as different wall materials may require different types of anchors.

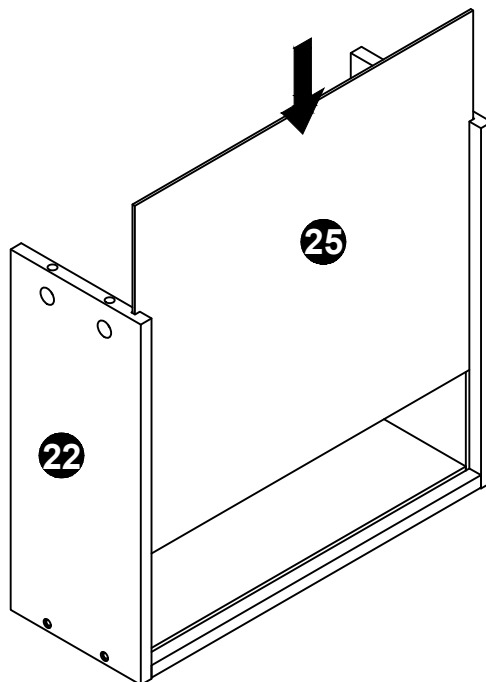


L X2



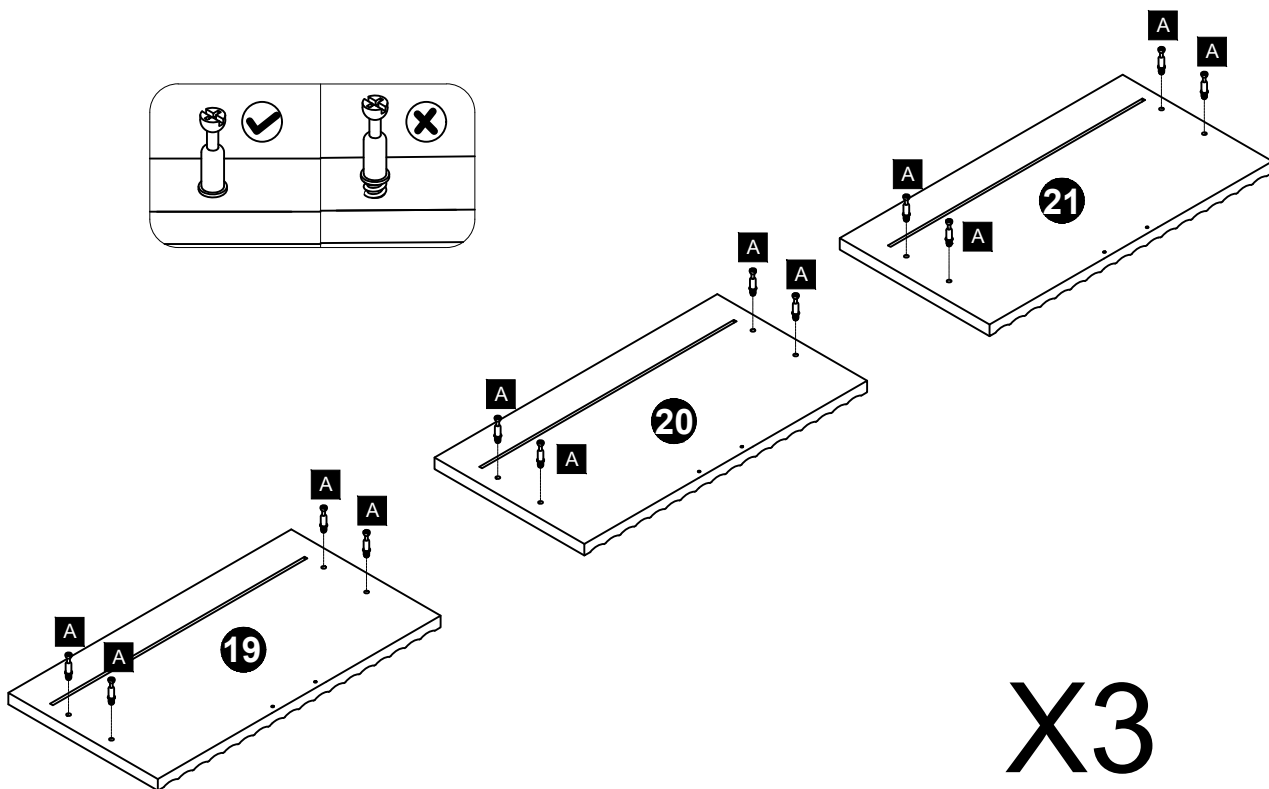
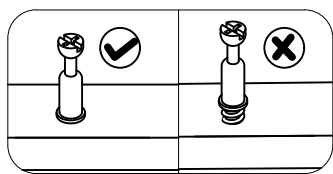


X9



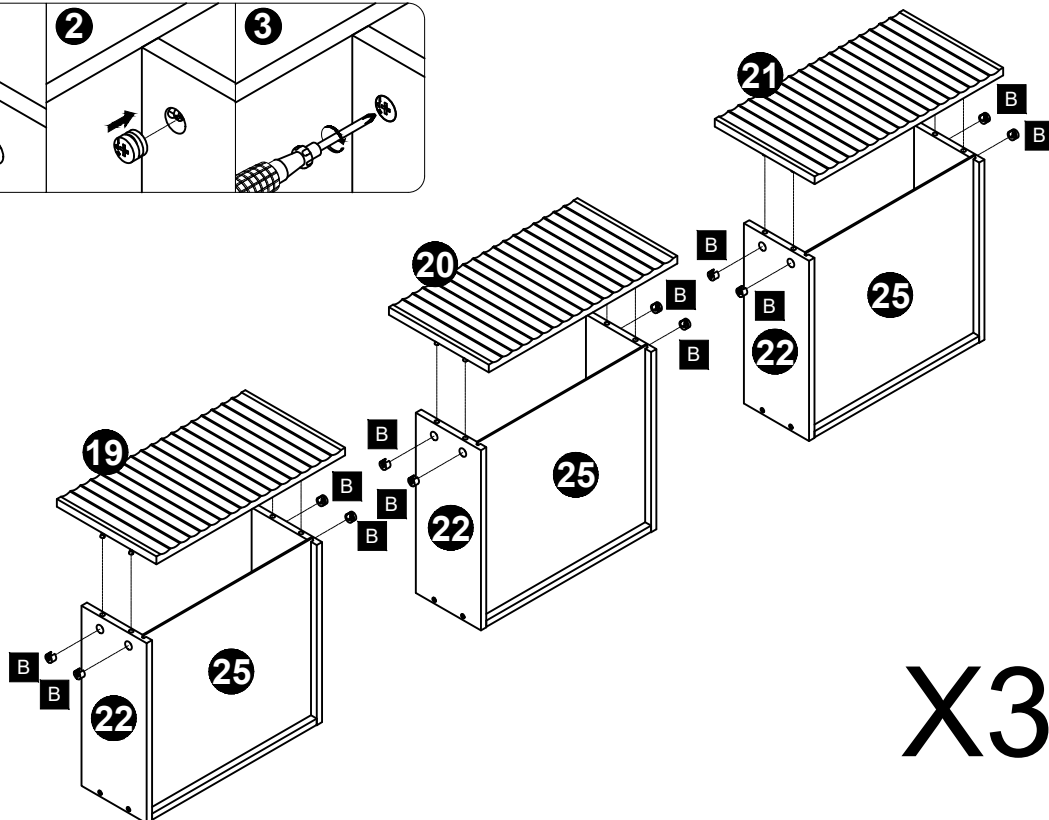
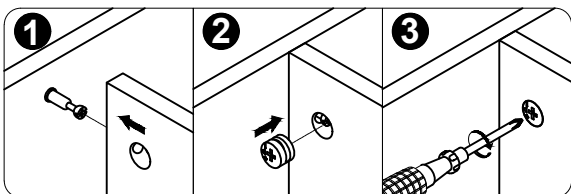
X9

A X36



X3

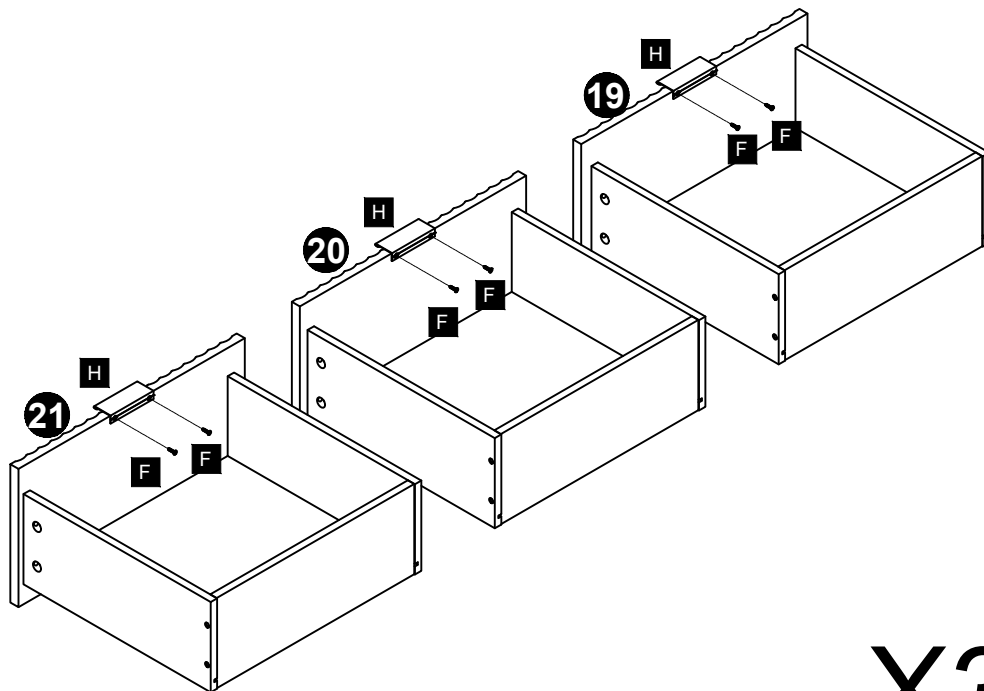
B X36



X3

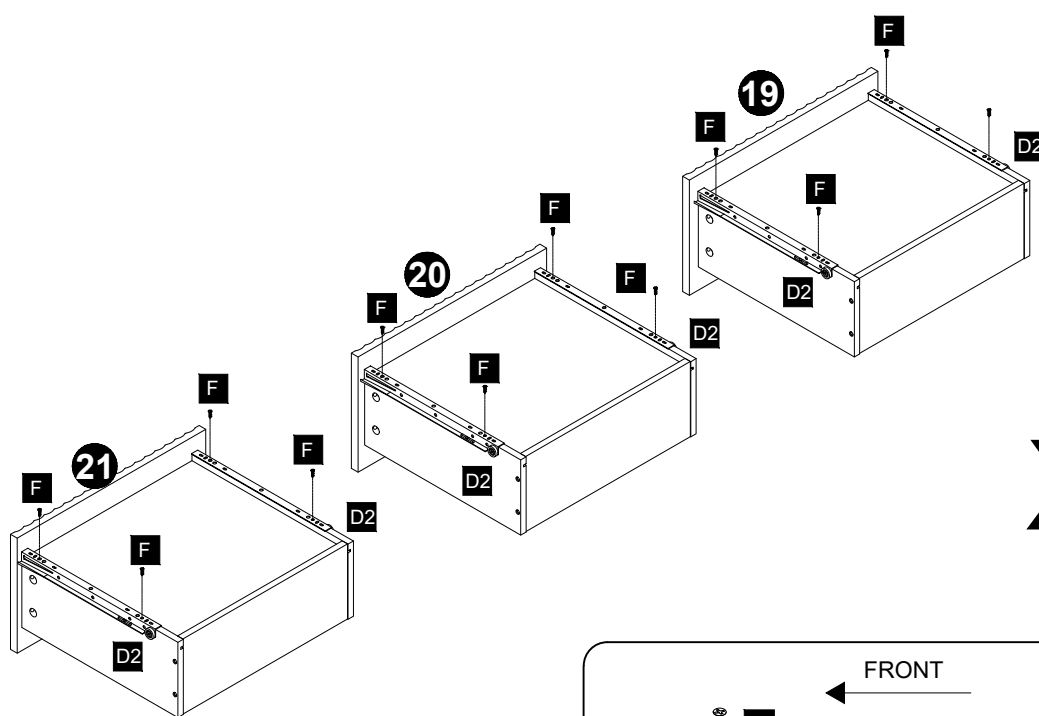
F X18

H X9

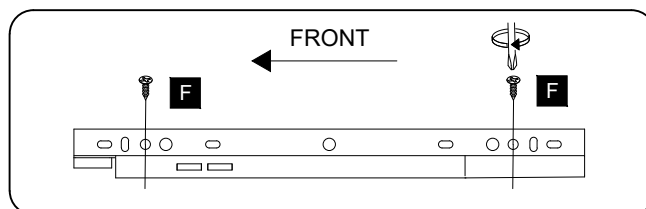


X3

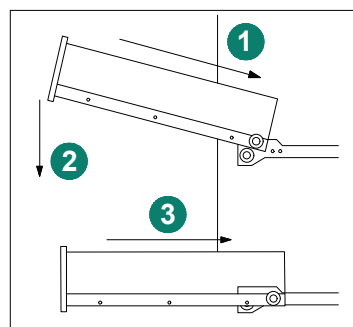
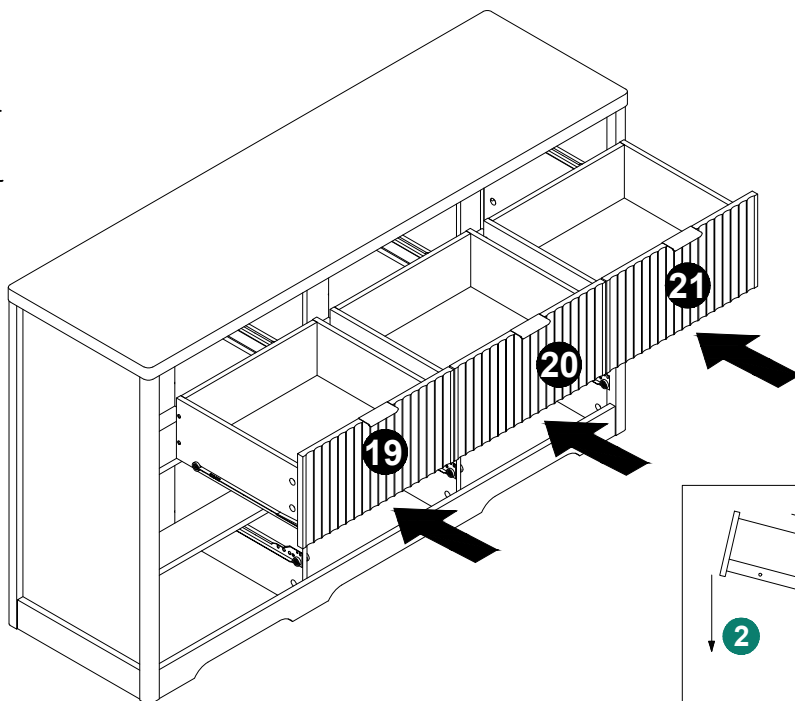
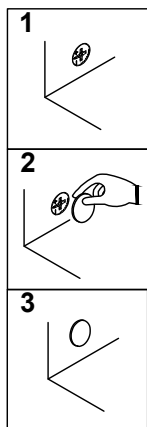
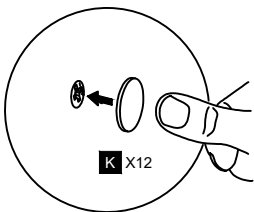
F X36



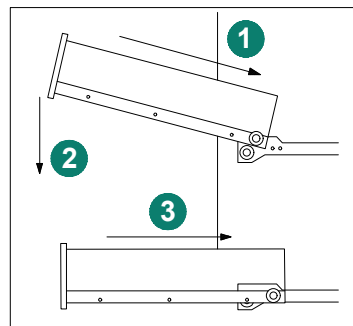
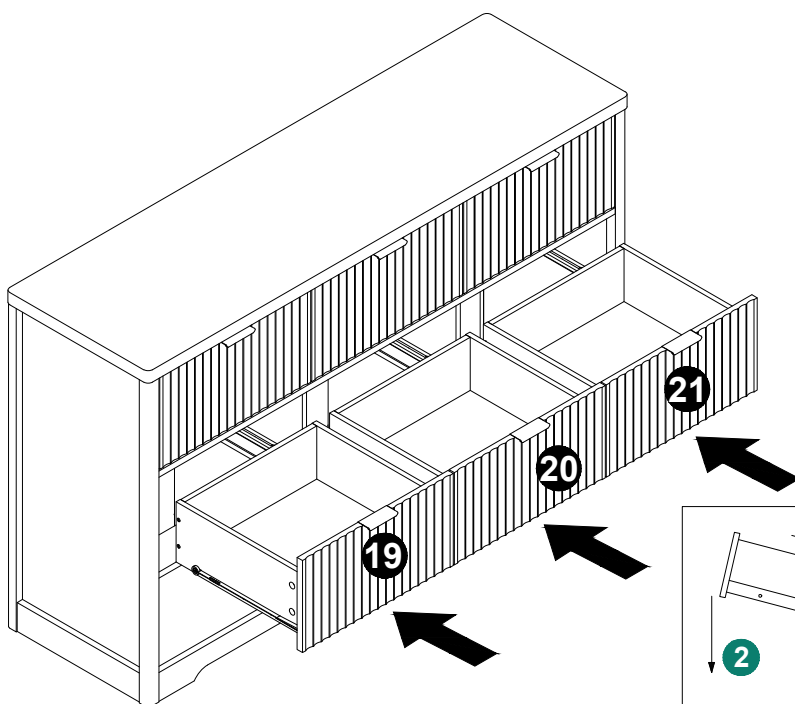
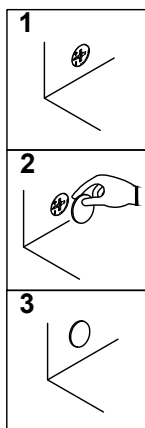
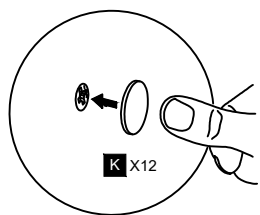
X3



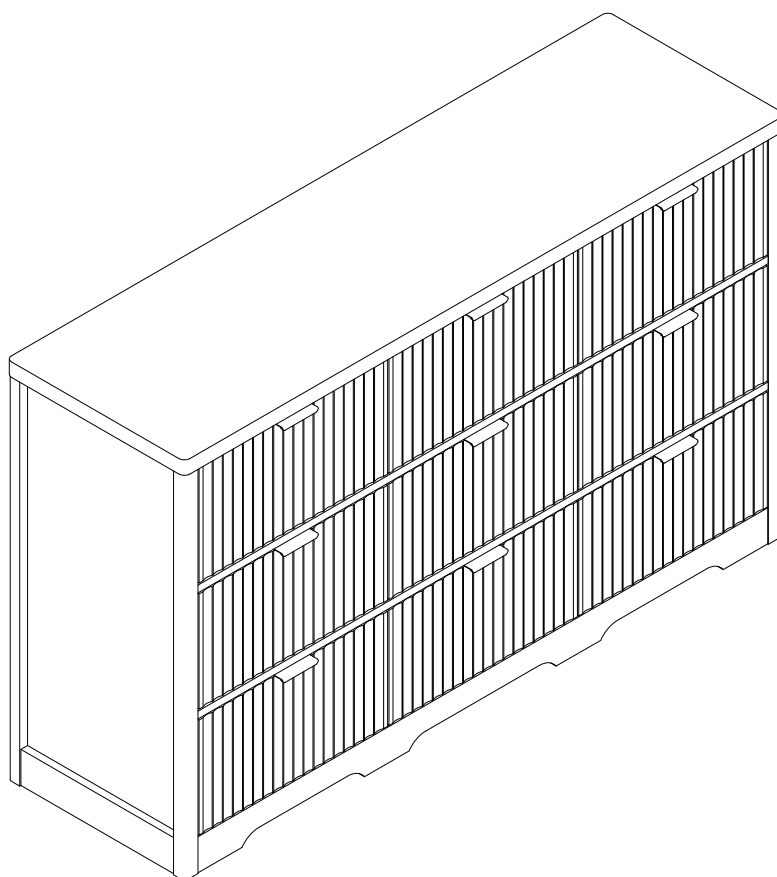
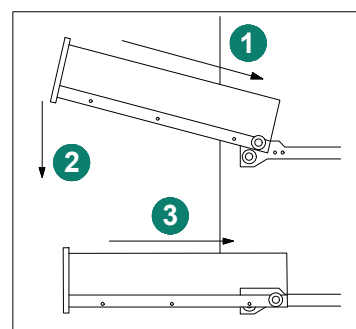
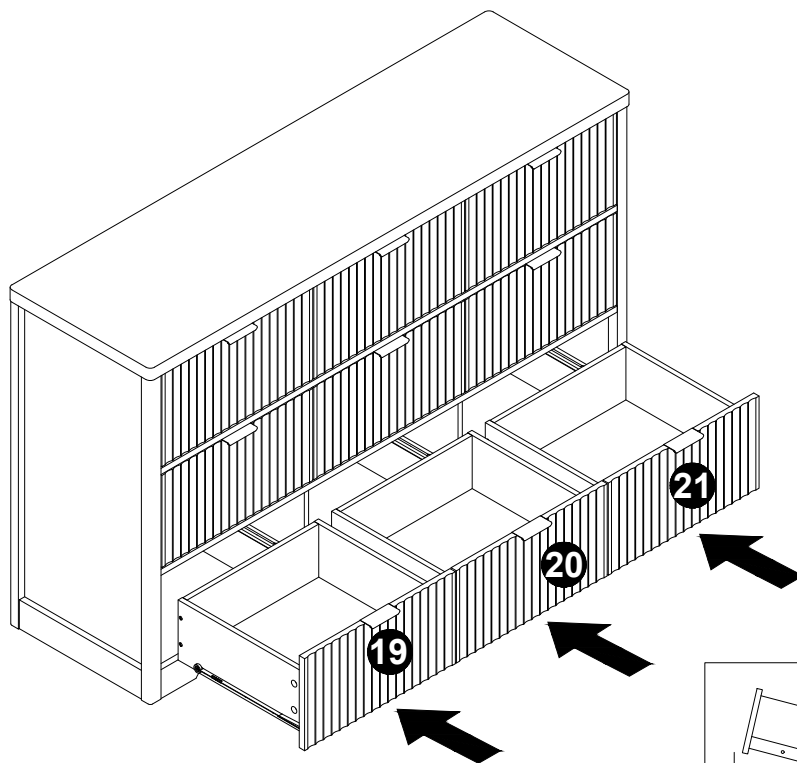
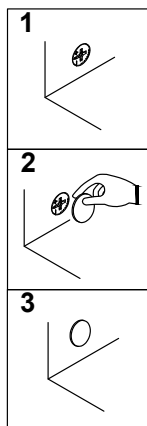
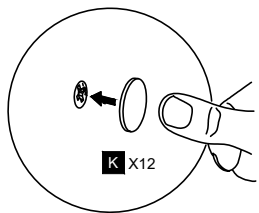
K X12



K X12



K X12

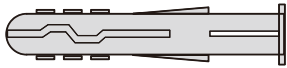


Assembly is complete.

A Guide to Wall Mounting & Fixings

Important note:

If plastic wall plugs (rawl plugs) are supplied with your product, e.g.:



- these are only suitable for use in masonry walls.

If you are in any doubt about the correct wall plugs for your wall, seek professional advice.


Failure of the product due to using the incorrect fixings is the responsibility of the installer.



Important: when drilling into walls always check that there are no hidden wires or pipes etc.

Make sure that the screws and wall plugs being used are suitable for supporting your unit. Consult a qualified tradesperson if you are unsure.

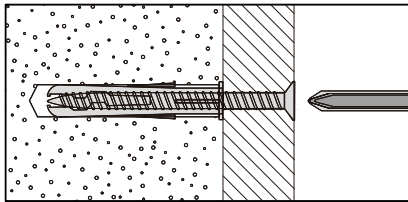
Hints:

- 1: General rule:  always use a larger screw and wall plug if you are not sure.
- 2: Ensure you use the recommended drill bit to match the wall plug and hole size.
- 3: Ensure you drill the hole horizontally; do not force the drill or enlarge the hole.
- 4: Take extra care when drilling high walls, ceilings and ceramic tiles. Ensure wall plugs are inserted beyond the thickness of the ceramic tiles to avoid the tiles splitting or cracking.
- 5: Ensure wall plugs are well fitted and are a tight fit in the drilled hole.

Types of walls

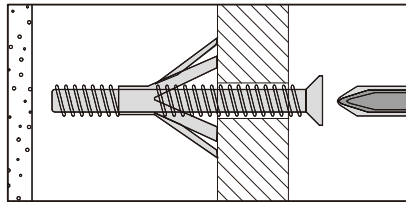
You can use one of the following types of wall plug if your walls are made of brick, breeze block, concrete, stone or wood.

No.1 "General Purpose" wall plug



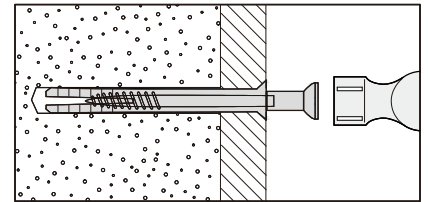
Generally aerated blocks should not be used to support heavy loads, use a specialist fitting in this case. For light loads, general purpose wall plugs can be used.

No.3 "Cavity Fixing" wall plug



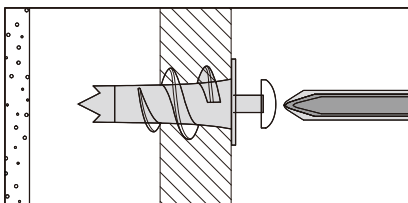
For use with plasterboard partitions or hollow wooden doors.

No.5 "Hammer Fixing" wall plug



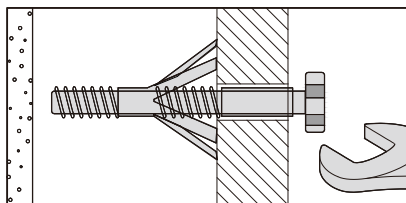
For use with walls stuck with plasterboard. The hammer fixing allows it to be fixed to the wall rather than the plasterboard. Always check the fixing is secure to the retaining wall.

No.2 "Plasterboard" wall plug



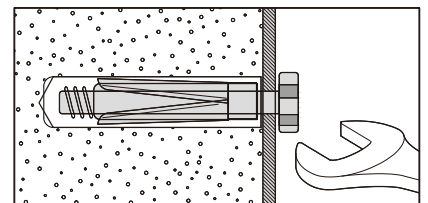
For use when attaching light loads onto plasterboard partitions.

No.4 "Cavity Fixing - Heavy Duty" wall plug



For use when fitting or supporting heavy loads such as shelving, wall cabinets and coat racks.

No.6 "Shield Anchor" wall plug - heavy loads



For use with heavier loads such as TV and HiFi speakers and satellite dishes etc.



Care & Maintenance

Safety: always check the fitting and location to ensure your safety in and around the home.

Fitting: from time to time check the fitting to ensure the wall plugs or screws do not become loose.