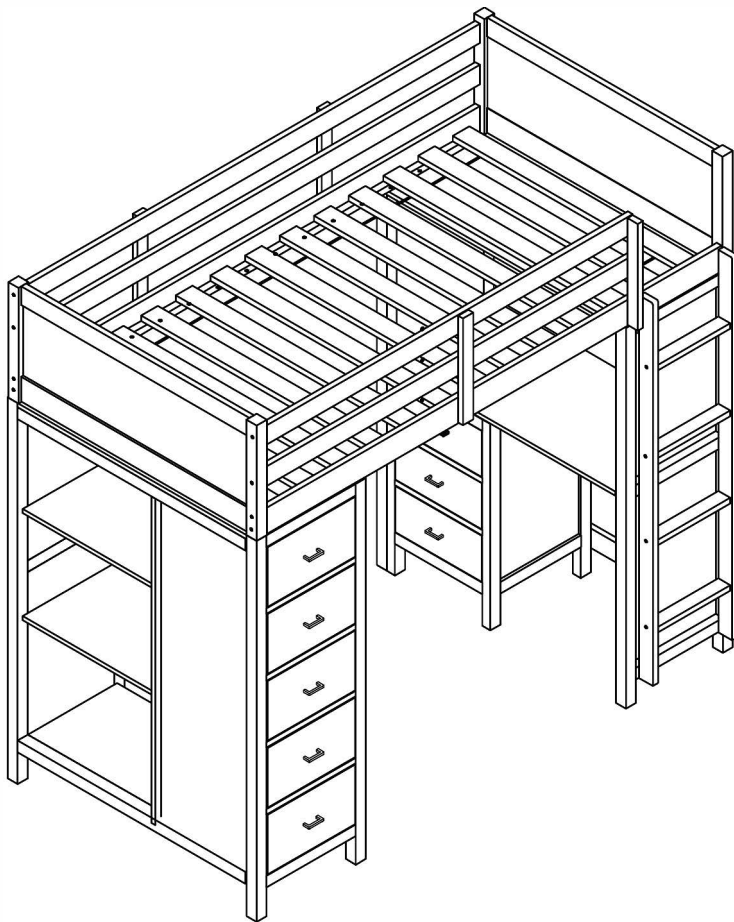


ASSEMBLY INSTRUCTIONS



TOOLS REQUIRED



Allen Wrench

(Included)



Phillips
Screwdriver

(Not Included)



2 - People
Recommended

ASSEMBLY RATING



EASY —————> DIFFICULT

The Assembly Rating is a 5-point system showing the level of effort needed to assemble a specific product.



CHECK BEFORE STARTING

Are you missing anything?

Double-check all parts, hardware and accessories listed on Page 6 are accounted for.

Check out our Quick Tips!

We recommend reviewing the pre-assembly handouts. Even experts need a refresher now and then!

Should we send any replacements?

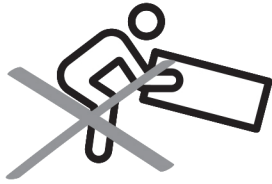
Are there any irregularities or flaws in the parts? We can send replacements!

Prep Time!

Please review the assembly instructions and all diagrams prior to assembling. Arrange parts as recommended on Page 7 and group identical hardware together to make assembling easier.

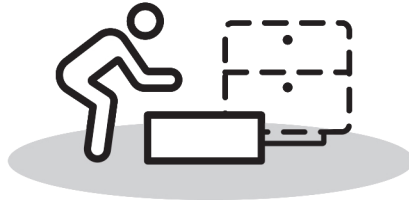
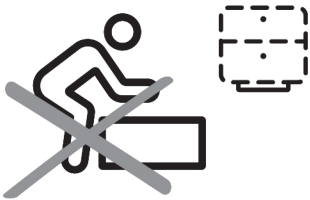
PRE ASSEMBLY INTRODUCTION

We understand building ready-to-assemble furniture can be a challenging experience for some. To help avoid confusion, we have provided some helpful tips that may speed up the process.



Teamwork

ALWAYS have at least two people to help with transporting and assembling the product to avoid potential injury and/or damage.



Suitable Location

Assembling near the area of the intended location is highly recommended.



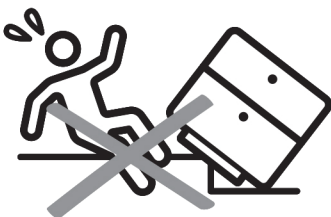
Sufficient Space

Make sure you have enough space to move around during the assembly.



Avoid Scratches

Use cardboard, blankets or a carpeted area while assembling furniture to prevent scratches.



Flat Surface

Make sure the furniture rests on a flat and level surface with each leg evenly touching the floor.

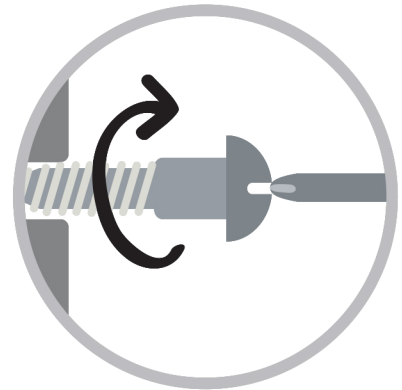
ASSEMBLY AND CARE ADVICE



FAILURE TO FOLLOW THE GUIDELINES BELOW MAY RESULT IN INJURY AND/OR PROPERTY DAMAGE.



Position each part correctly and insert screws or bolts into their respective holes.



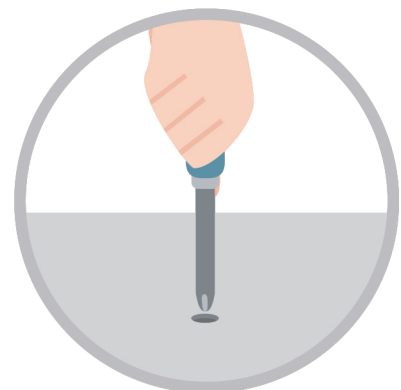
Turn clockwise to tighten and only tighten when step is completed or when instructed to do so.



Use the appropriate hand tools or power tools for assembly. Select steps, such as tightening screws and/or bolts, may require hand tools to avoid causing damage during assembly.



Save the instructions and store any supplied tools for later maintenance.



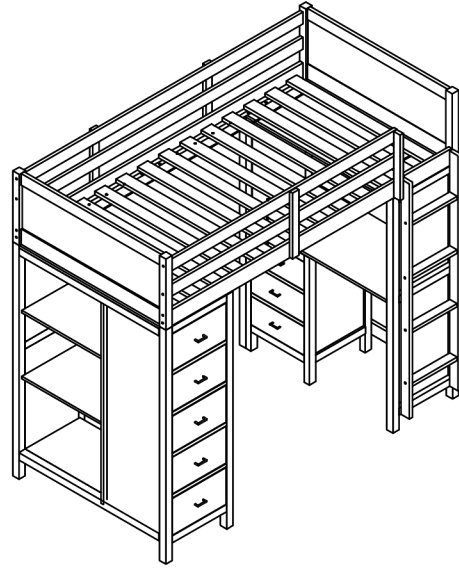
After two weeks, check and tighten any loose hardware and repeat again every six months thereafter.

IT IS THE USER'S RESPONSIBILITY TO MAINTAIN THE FURNITURE. THE HARDWARE MAY LOOSEN OVER TIME AND MAY CAUSE THE FURNITURE TO BE WOBBLY AND UNABLE TO SUPPORT ITS INTENDED WEIGHT CAPACITY. THIS MAY LEAD TO COLLAPSE AND MAY CAUSE SERIOUS INJURY.

BED



• Please keep instructions for future reference.
 • Check the quantity and irregularity of parts and hardware before you start.



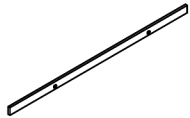
PARTS

#1 2pcs



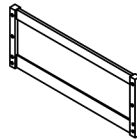
Short Guadrail

#2 2pcs



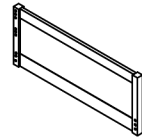
Long Guadrail

#3 1pc



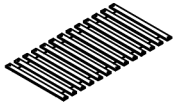
Left Headboard

#4 1pc



Right Headboard

#5 1set



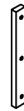
Slat (13pcs)

#6 1pc



Front Side rail

#7 3pcs



Guadrail Support

#8 1pc



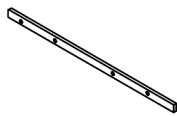
Guadrail Support

#9 1pc



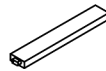
Bookcase

#10 2pcs



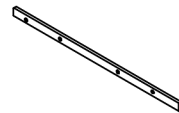
Right Ladder Rail

#11 4pcs



Ladder Rung

#12 1pc



Left Ladder Rail

#13 1pc



Chest

#14 1pc



Back Side rail

HARDWARE

#A 8pcs



Bolt Ø5/16"x4"

#B 9pcs



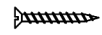
Bolt Ø1/4"x1-1/4"

#C 1pc



Allen Key 4mm

#D 26pcs



Screw #4x35mm

#E 8pcs



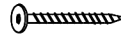
Barel Nut Ø5/16"

#F 12pcs



Dowel #10x40mm

#G 6pcs



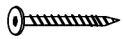
Screw Ø1/4"x3-1/8"

#H 6pcs



Bolt Ø1/4"x1-5/8"

#I 8pcs



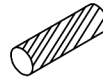
Bolt Ø1/4"x2"

#K 6pcs

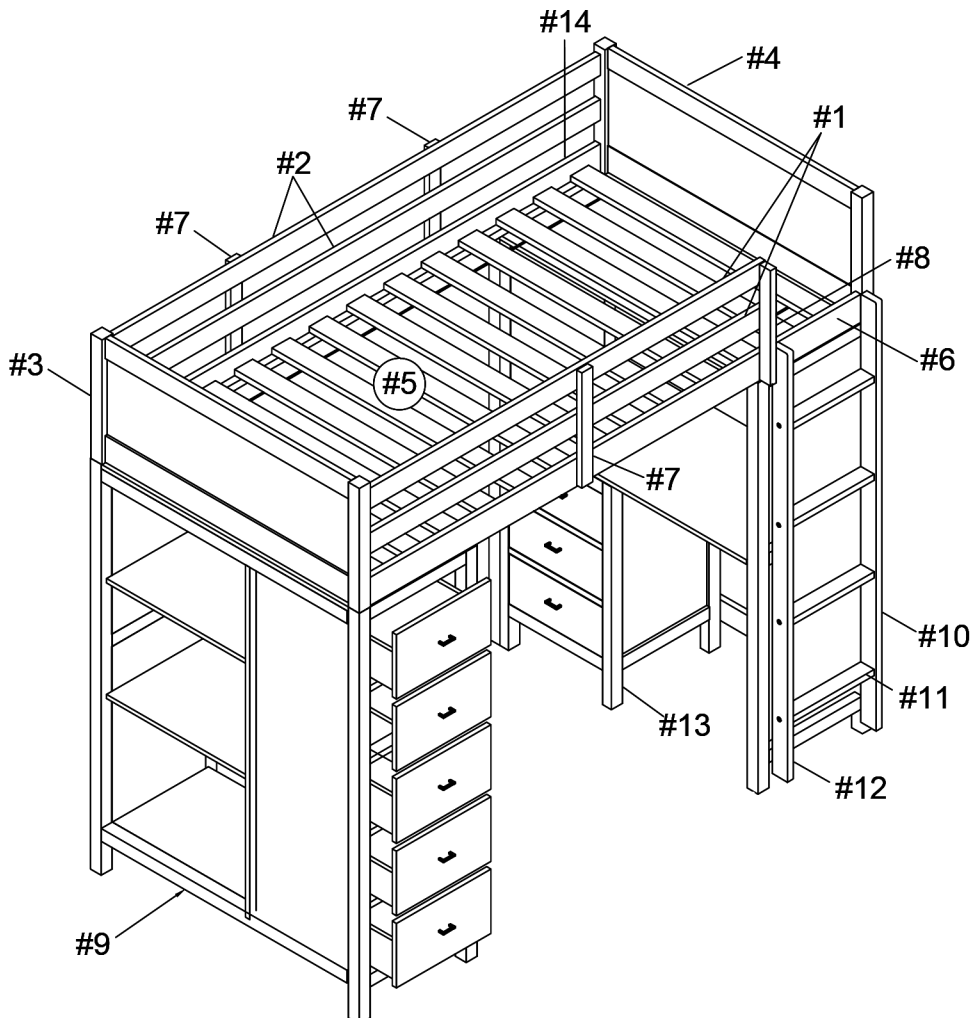


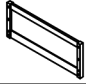

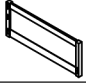





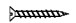






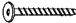



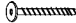








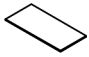

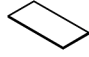




Bolt Ø1/4"x2-3/8"

#L 4pcs



Dowel #10x30mm

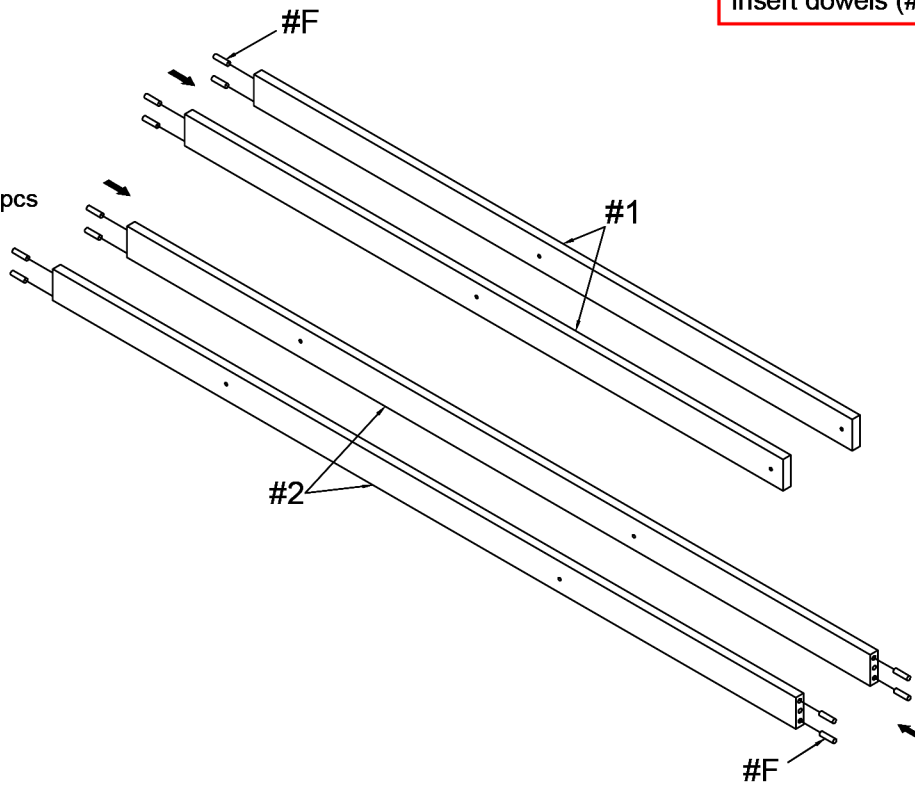


Disignation	Part	Hardware
Left Headboard	#3 	 #A x 8pcs
Right Headboard	#4 	
Slat (13pcs)	#5 	 #B x 9pcs
Short Guadrail	#1 	 #C x 1pc
Long Guadrail	#2 	 #D x 26pcs
Font Side Rail	#6 	 #E x 8pcs
Guadrail Support	#7 	 #F x 12pcs
Guadrail Support	#8 	
Back Side Rail	#14 	 #G x 6pcs
Right Ladder Rail	#10 	 #H x 6pcs
Ladder Rung	#11 	 #I x 8pcs
Left Ladder Rail	#12 	 #K x 6pcs
Bookcase	#9 	 #L x 4pcs
Left Frame	#15 	
Right Frame	#16 	 #C x 1pc
Back Rail	#17 	
Top Panel	#18 	 #M x 8pcs
Shelf Panel	#19 	 #K x 2pcs
Chest	#13 	 #N x 8pcs
		 #O x 20pcs

ASSEMBLY INSTRUCTIONS

1

- Part #1 x2pcs
- Part #2 x2pcs
- Hardware #F x12pcs

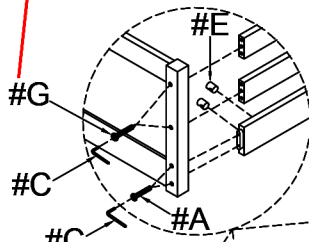


Insert dowels (#F) to panels (#1,2).

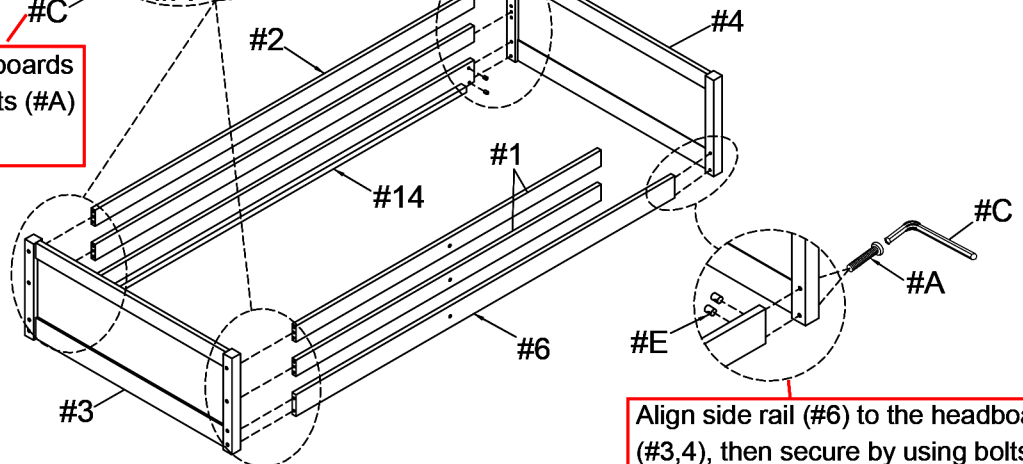
2

- Part #3 x1pc
- Part #4 x1pc
- Part #6 x1pc
- Part #14 x1pc
- Hardware #A x8pcs
- Hardware #E x8pcs
- Hardware #G x6pcs

Align guardrails (#1,2) to headboard (#3,4), then secure by using screws (#G).



Align side rail (#14) to the headboards (#3,4), then secure by using bolts (#A) onto barrel nuts (#E).

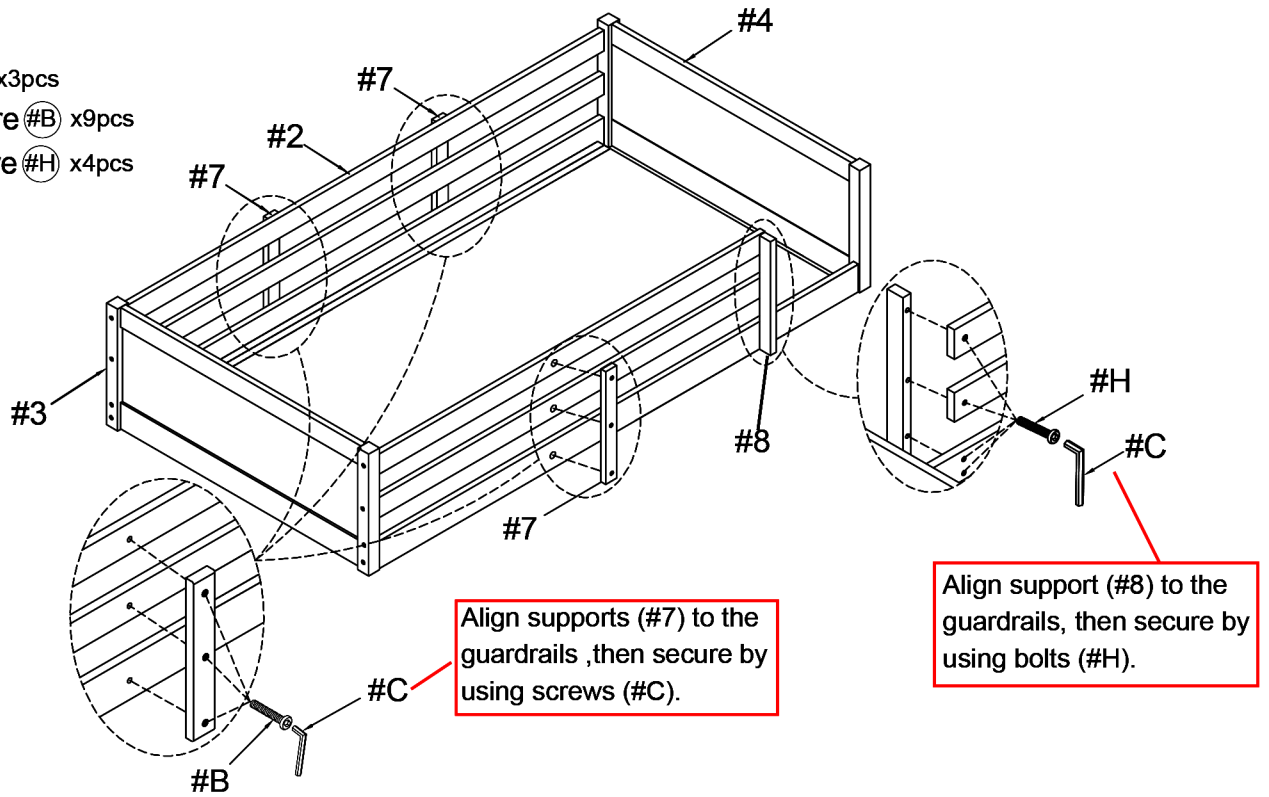


Align side rail (#6) to the headboards (#3,4), then secure by using bolts (#A) onto barrel nuts (#E).

ASSEMBLY INSTRUCTIONS

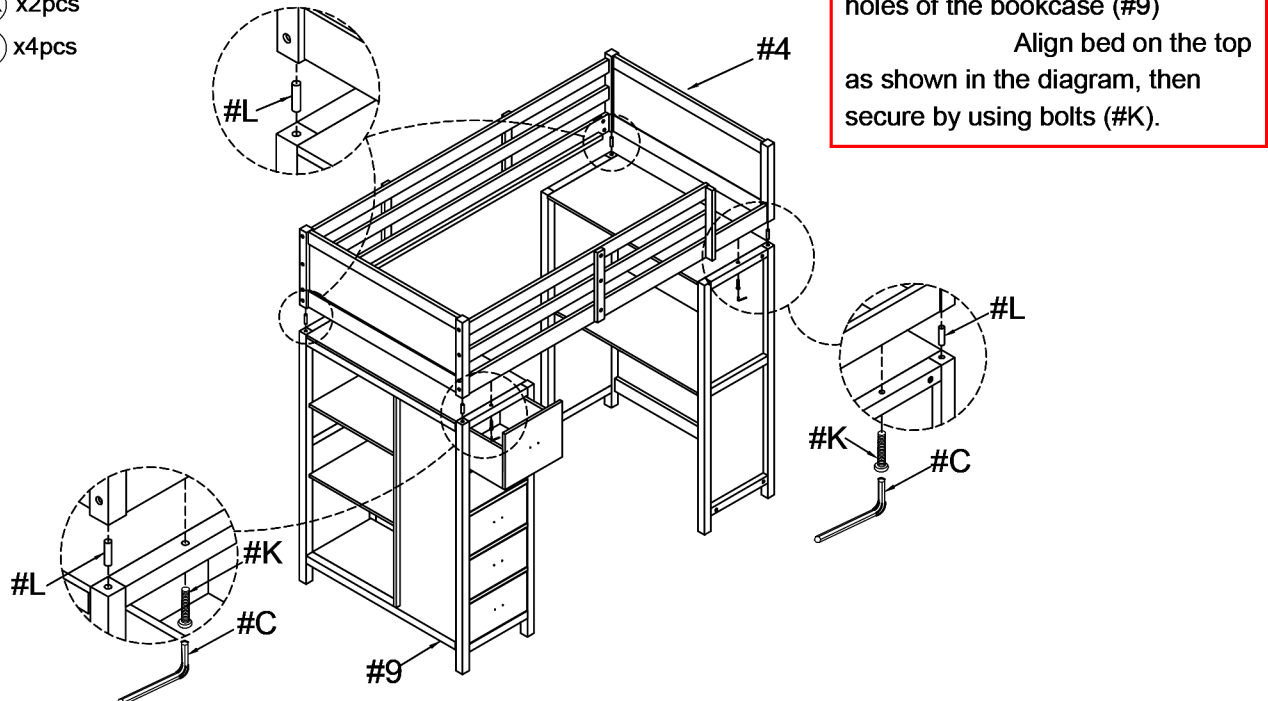
3

- Part #7 x3pcs
- Hardware #B x9pcs
- Hardware #H x4pcs



4

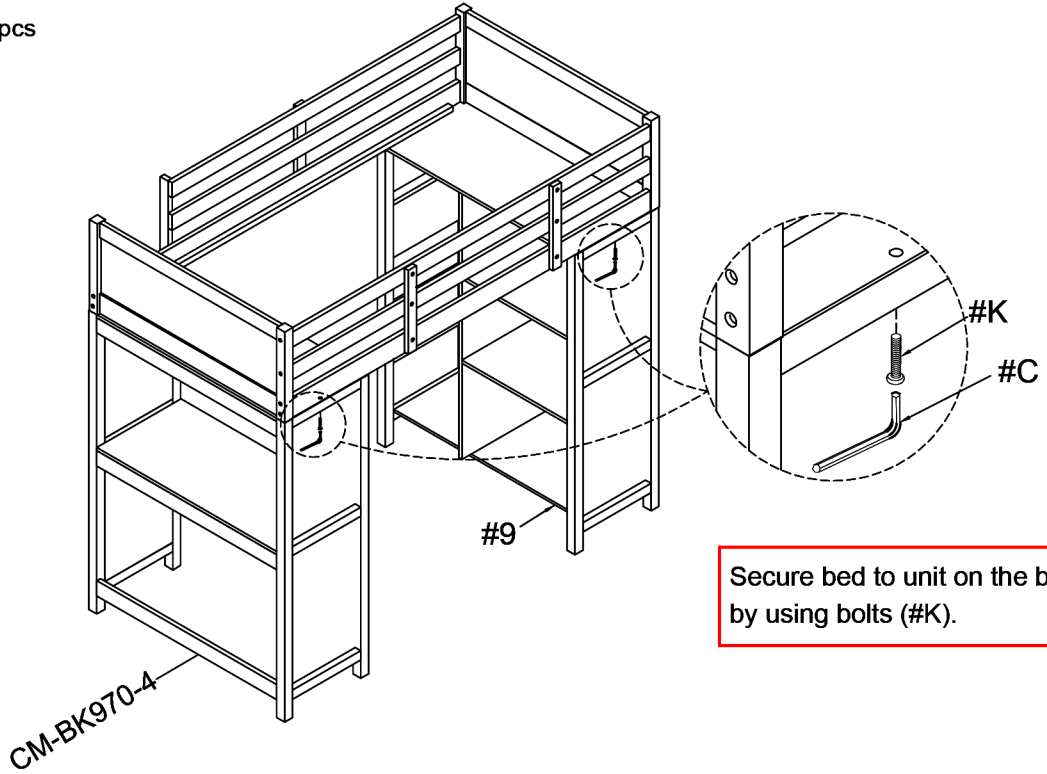
- Part #9 x1pc
- Hardware #K x2pcs
- Hardware #L x4pcs



ASSEMBLY INSTRUCTIONS

5

Hardware (#K) x2pcs



Secure bed to unit on the back side by using bolts (#K).

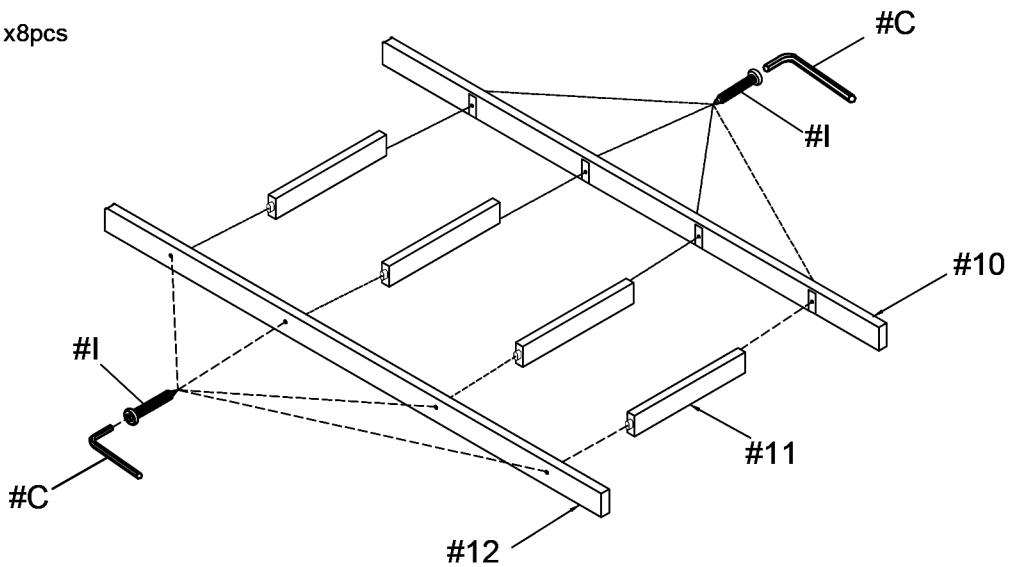
6

Part (#10) x1pc

Part (#11) x4pcs

Part (#12) x1pc

Hardware (#I) x8pcs

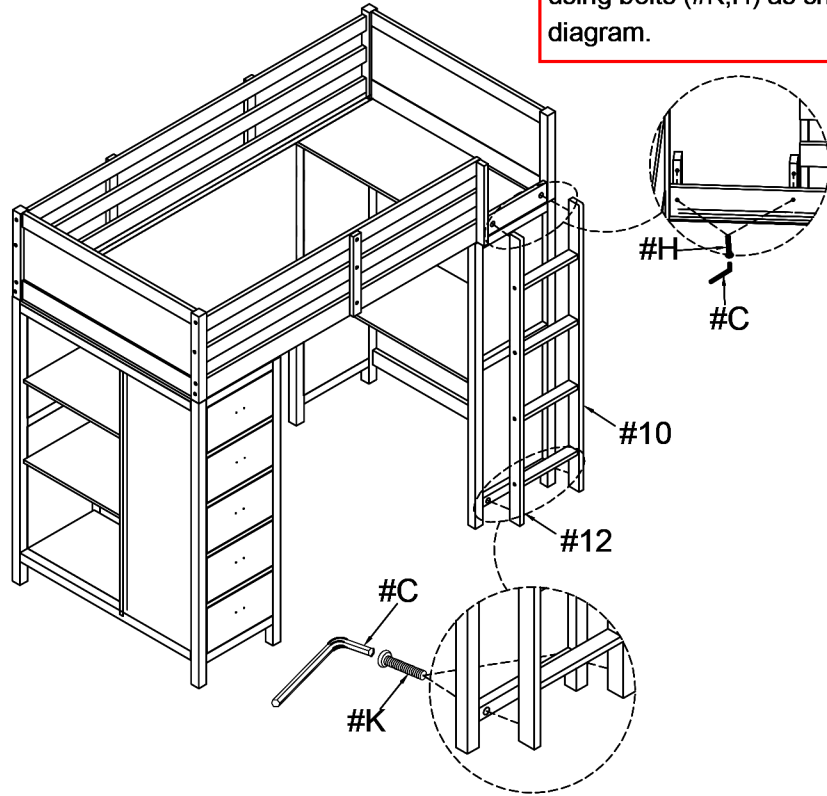


Align ladder rungs (#11) to ladder rails (#10,12), then secure by using screws (#I).

ASSEMBLY INSTRUCTIONS

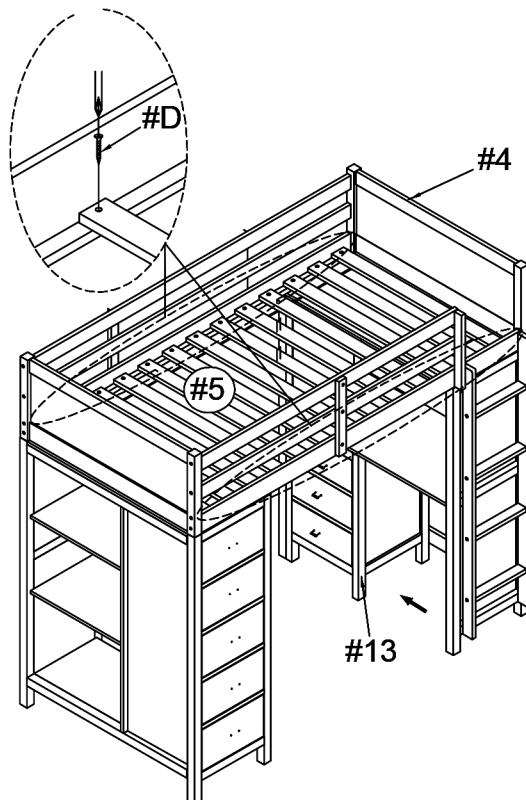
7

Hardware (#H) x2pcs
Hardware (#K) x2pcs



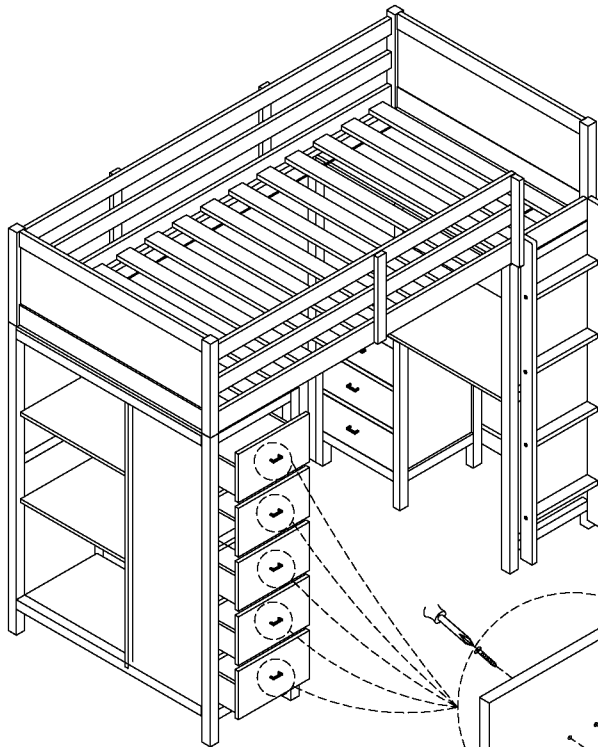
8

Part (#5) x1set
Hardware (#D) x26pcs

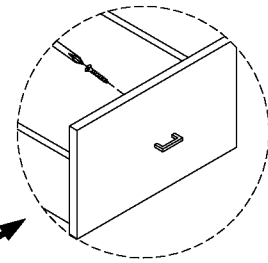


ASSEMBLY INSTRUCTIONS

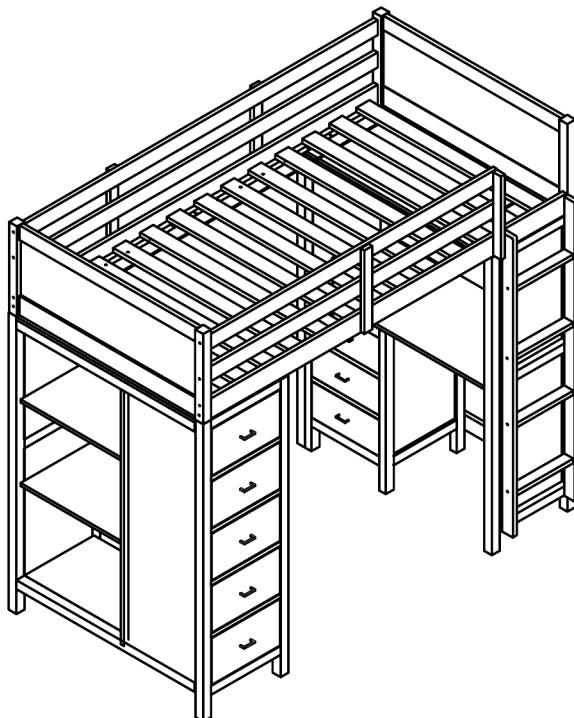
9



Attach drawer handles to the front of the drawers.



10



ASSEMBLY COMPLETED



Please ensure the furniture rests on an even and flat surface. If the product wobbles or feels loose, double-check all bolts and/or screws are properly tightened and secured.

✓ **Keep this handy!**

Please retain this instruction manual and any order-related information for future reference.

✓ **Lift, don't drag!**

To avoid damage to product please always LIFT the product when transporting or adjusting the placement.