

Installation & Assembly



Due to the size of this product, the panels can be quite heavy. To ensure your safety and make the installation more efficient, we highly recommend teaming up with family or friends. Let ' s make assembly fun—we hope you enjoy the hands-on experience !

QUESTIONS OR CONCERNS?

IMPORTANT! Please read all instructions before use and keep this manual for future reference.

Your satisfaction is very important to us. If you have any issues, **PLEASE CONTACT US** before initiating a **RETURN**.

ATTENTION

Attention Customers living in the United States and Canada

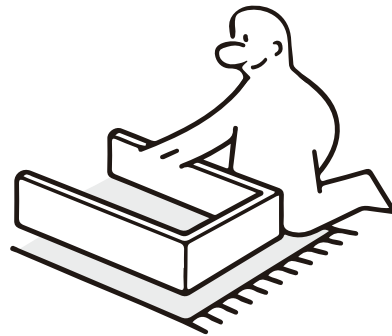
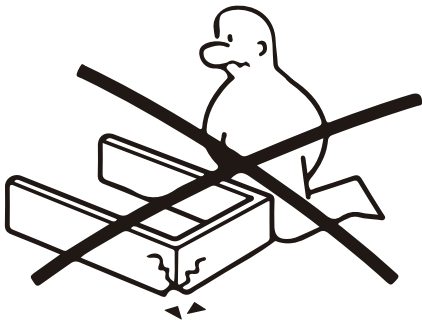
If you are missing parts, hardware, or if your product has been damaged during shipping

DO NOT RETURN YOUR PRODUCT

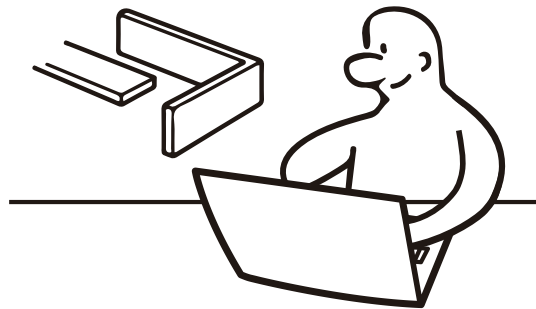
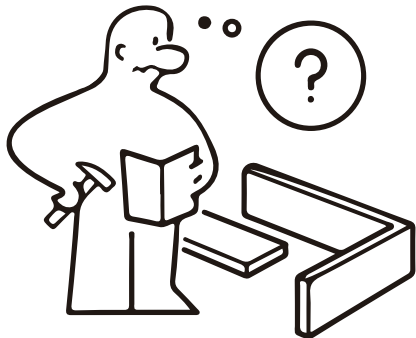
The store does not stock parts and may not be able to help you. Please contact us directly and **we will ship you the parts** you need to your shipping address **at no cost to you**. For the quickest and most efficient service, please reach out to us.

We're here to help!

※Stay Scratch-Free: Safeguard Your Furniture by Assembling on Carpet.



※Stuck in Assembly Limbo? Check out our website or contact our support team for quick solutions!



WARNING: ASSEMBLY NOTICE

Attention

Important Instructions for Assembling Your Furniture To ensure the longevity and integrity of your MDF furniture, please adhere to the following guidelines:

DO NOT USE AN ELECTRIC DRILL



Using an electric drill can cause irreversible **damage to the MDF boards**, leading to compromised structural integrity and potential voiding of your warranty.

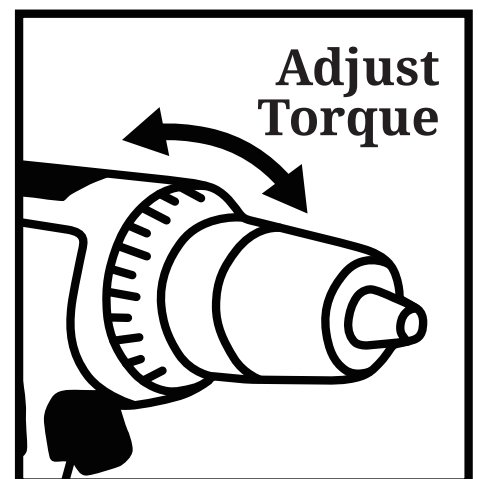
IF AN ELECTRIC DRILL MUST BE USED

- **Set to Lowest Torque Setting :**

Ensure your drill is set to the lowest possible torque setting to avoid over-tightening and damaging the material.

- **Proceed with Caution :**

Carefully monitor the drilling process to prevent excessive force and damage.

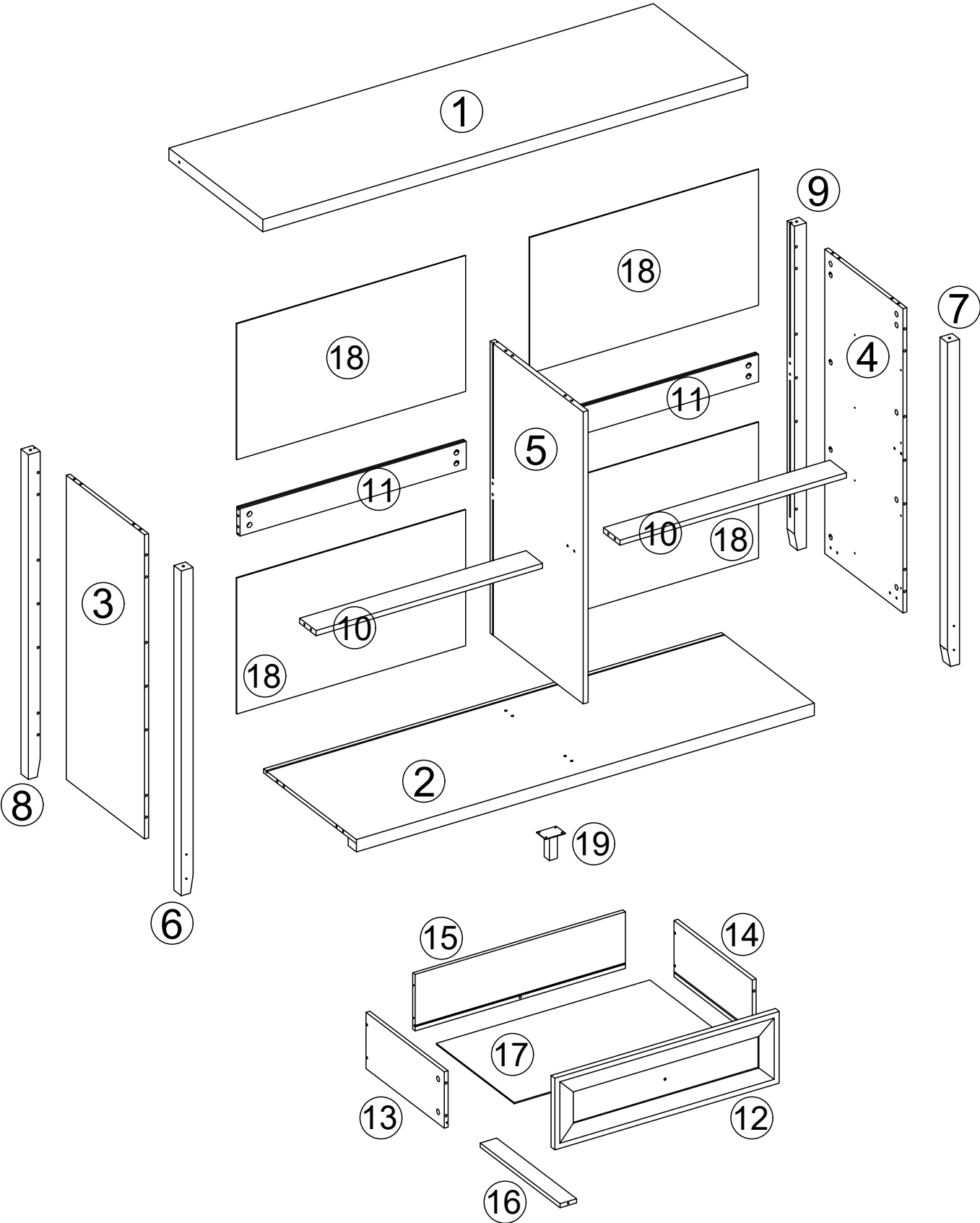


For best results and to avoid any damage, we highly recommend using the provided manual tools or a handheld screwdriver.

Thank you for your attention and understanding.

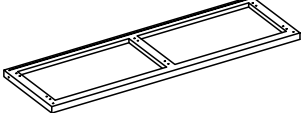
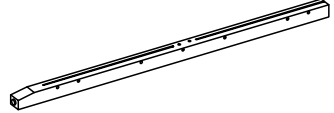
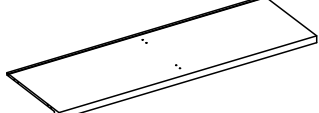
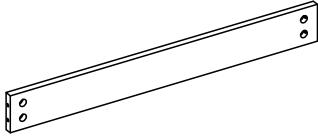
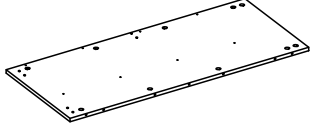
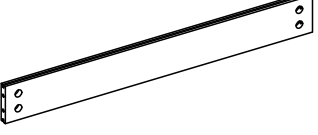
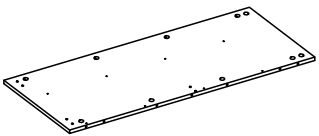
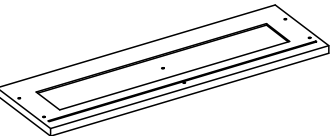
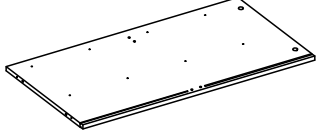

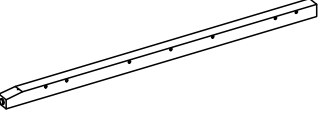
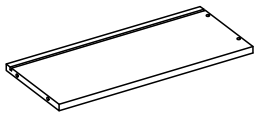
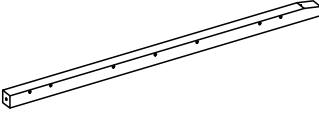
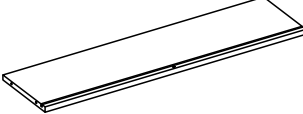
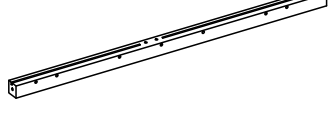
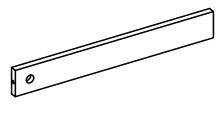
PARTS

LIST







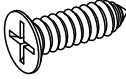
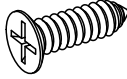
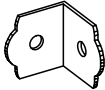
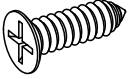
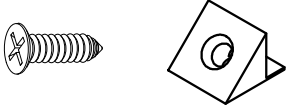

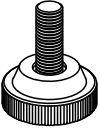
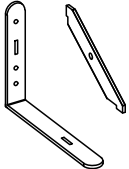
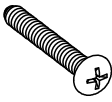

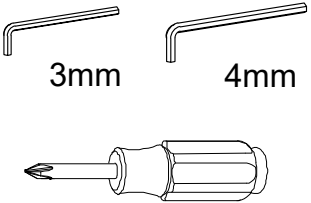
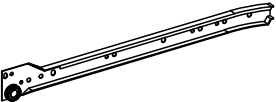
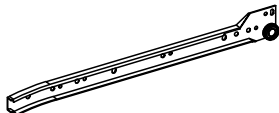
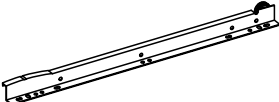
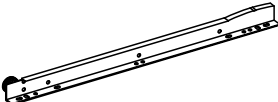
PARTS

LIST

Item no.	Reference Image	Qty	Item no.	Reference Image	Qty
1		x1	9		x1
2		x1	10		x2
3		x1	11		x2
4		x1	12		x8
5		x1	13		x8
6		x1	14		x8
7		x1	15		x8
8		x1	16		x8

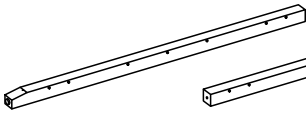
HARDWARE

LIST

<p>A</p>  <p>x42+2</p>	<p>B</p>  <p>x28+2</p>	<p>C</p>  <p>x82+4</p>	<p>D</p>  <p>x82+4</p>
<p>E</p>  <p>$\phi 3 * 12$ x56+4</p>	<p>F</p>  <p>$\phi 3.5 * 12$ x12+1</p>	<p>G</p>  <p>x2</p>	<p>H</p>  <p>$\phi 3.5 * 14$ x4+1</p>
<p>I</p>  <p>$\phi 3 * 14$ x16+2</p>	<p>J</p>  <p>x8 x9</p>	<p>K</p>  <p>x1</p>	<p>L</p>  <p>x2</p>
<p>M</p>  <p>$\phi 3.5 * 20$ x4+1</p>	<p>N</p>  <p>N1 x3 N2 x3 N3 x3 N4 x2</p>		 <p>3mm 4mm</p>
<p>CL</p>  <p>x2</p>	<p>CR</p>  <p>x2</p>	<p>DL</p>  <p>x2</p>	<p>DR</p>  <p>x2</p>

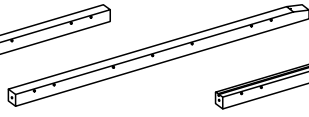
1

⑥



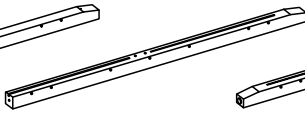
x1

⑦



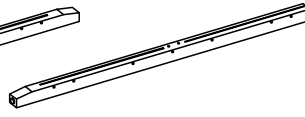
x1

⑧



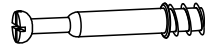
x1

⑨

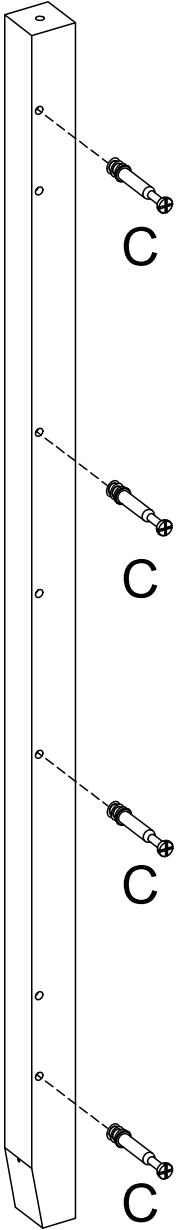


x1

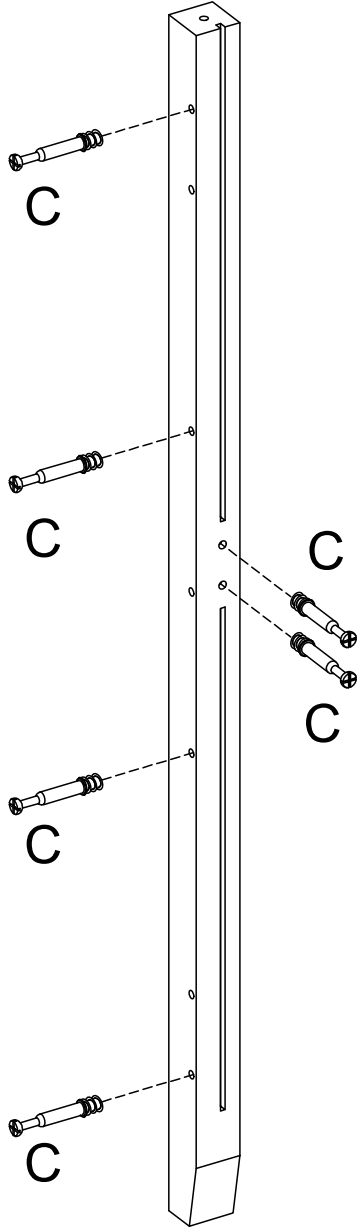
C



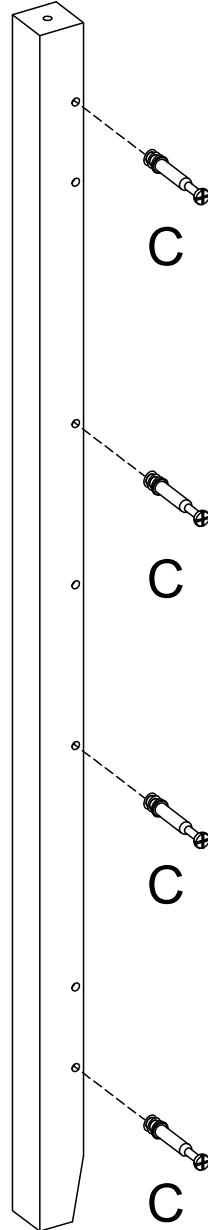
x20



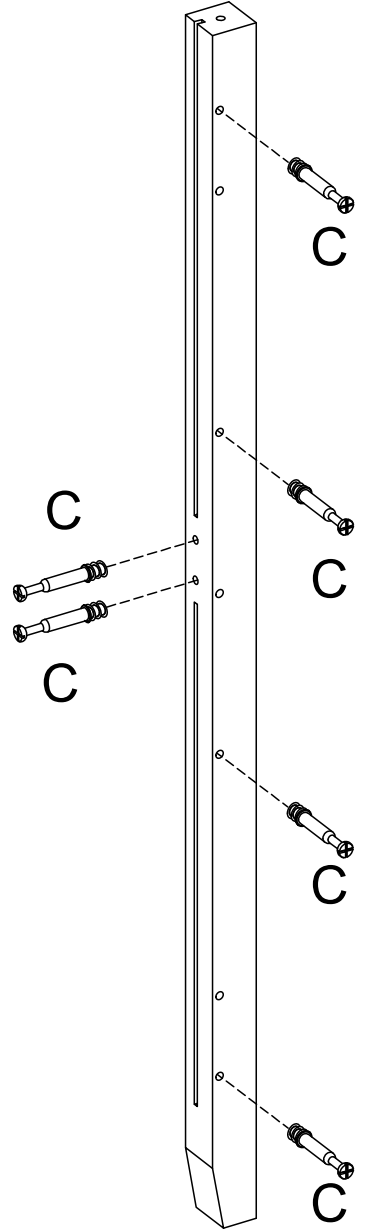
⑥



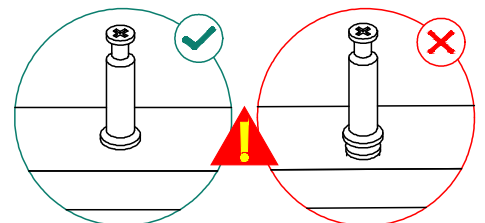
⑧



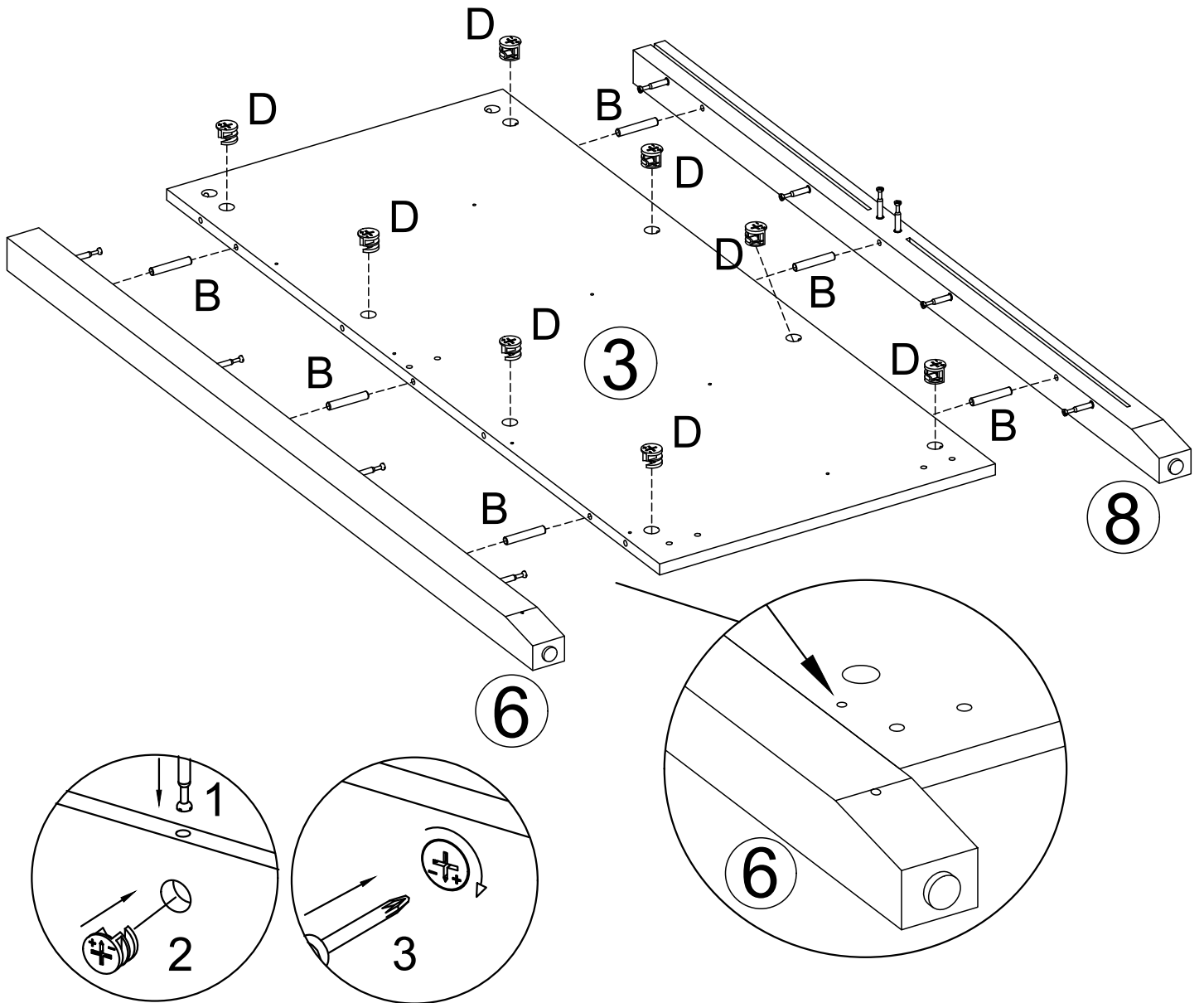
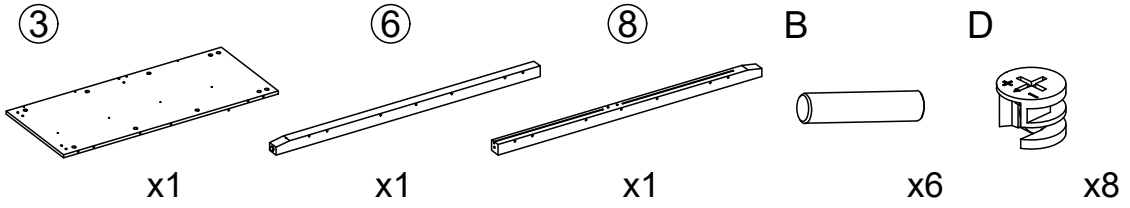
⑦



⑨

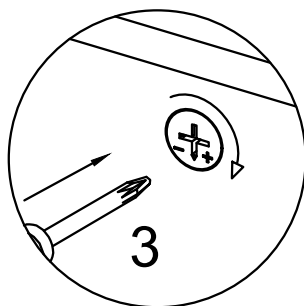
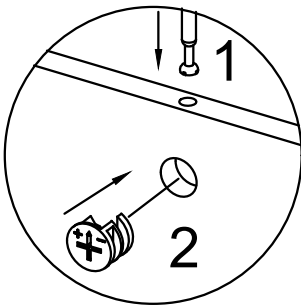
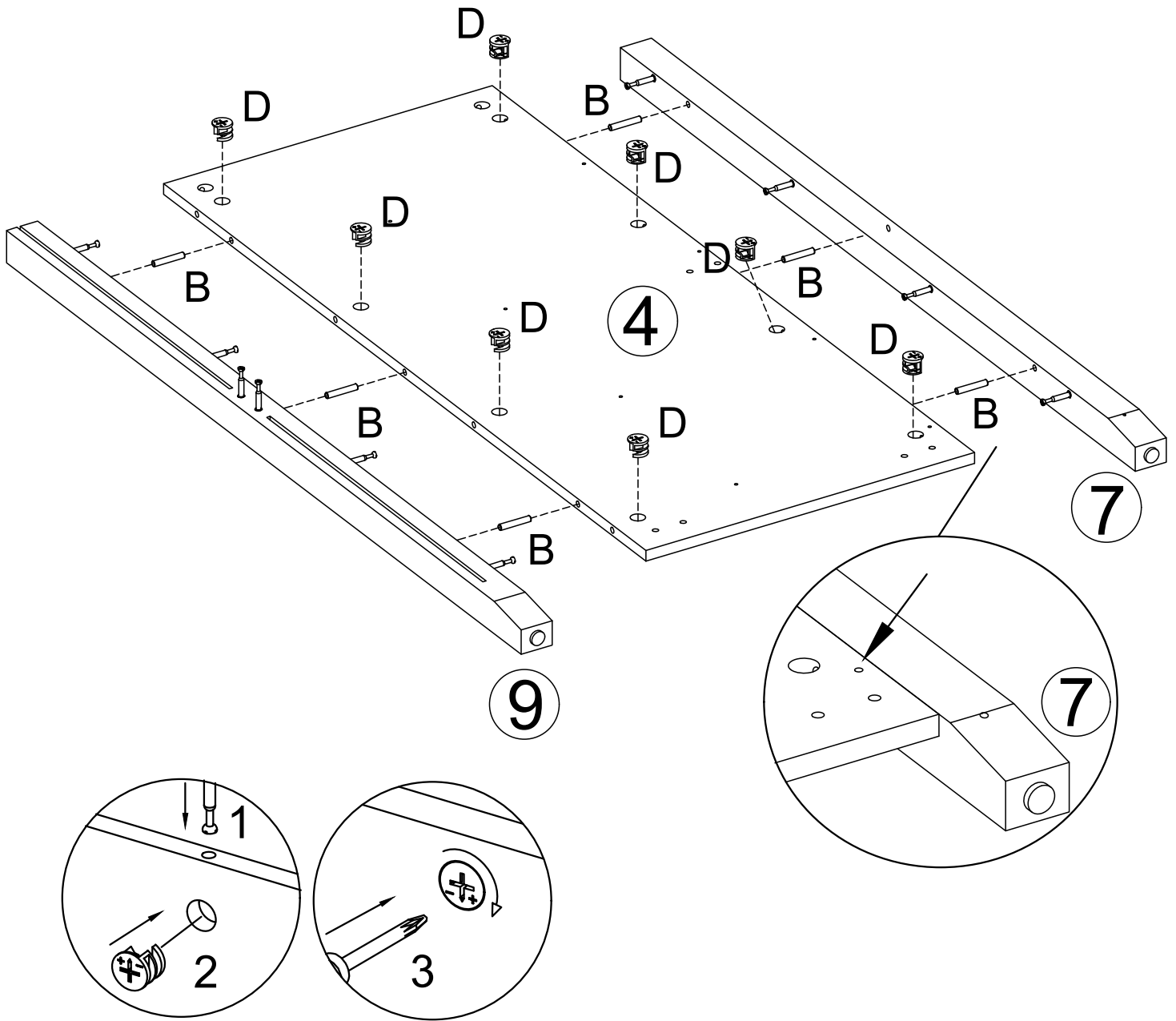
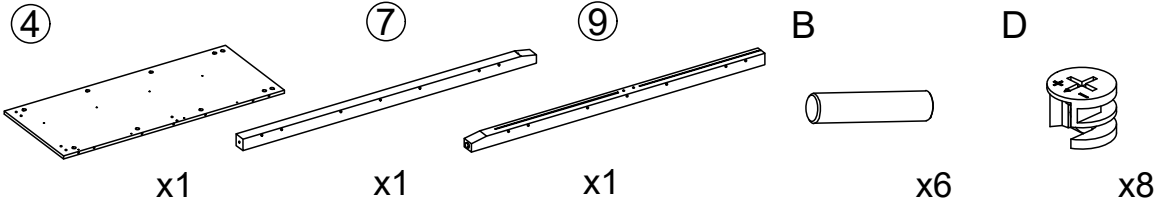


2



Pay attention to ensuring that this position corresponds to No. 6. This screw hole is the access point for installing the drawer slide.

3



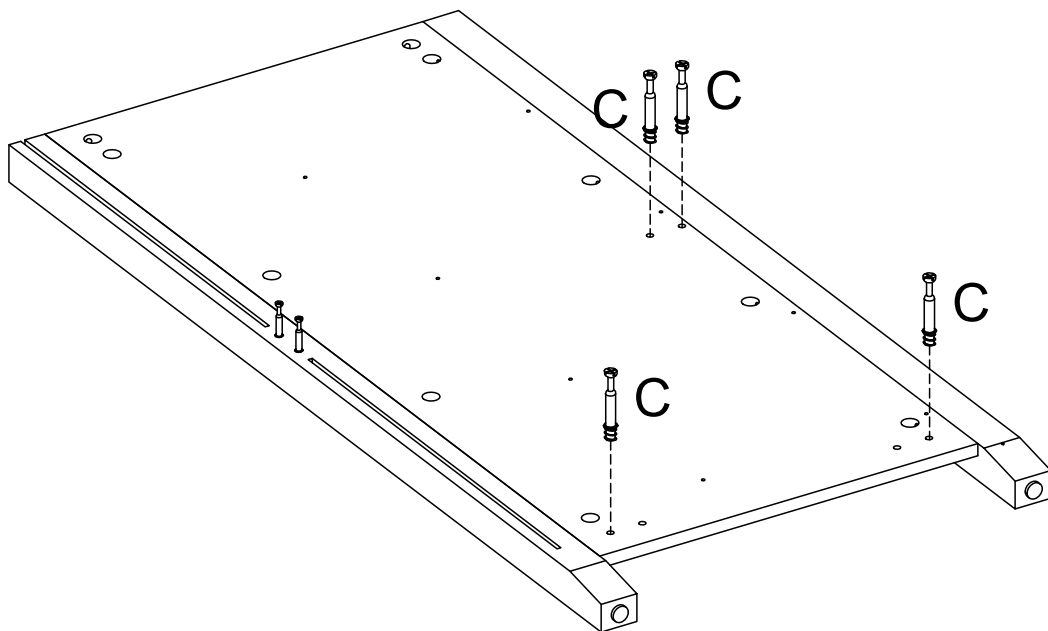
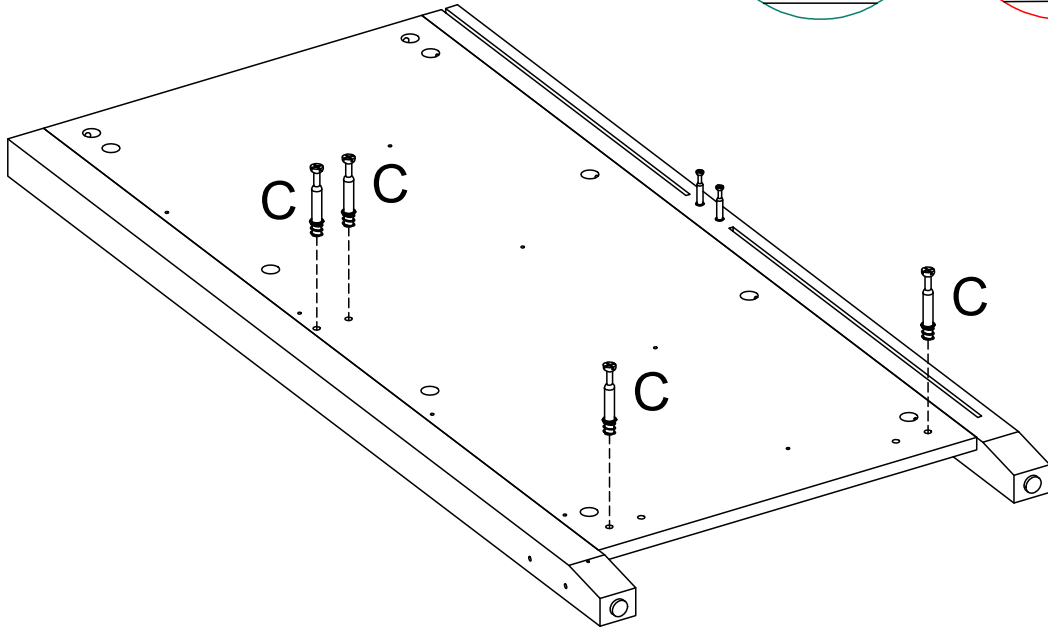
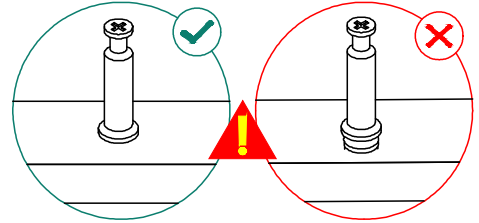
Pay attention to ensuring that this position corresponds to No. 7. This screw hole is the access point for installing the drawer slide.

4

C



x8

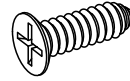
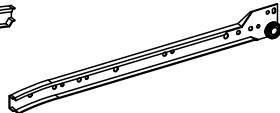
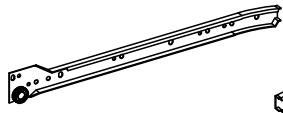


5

CL

CR

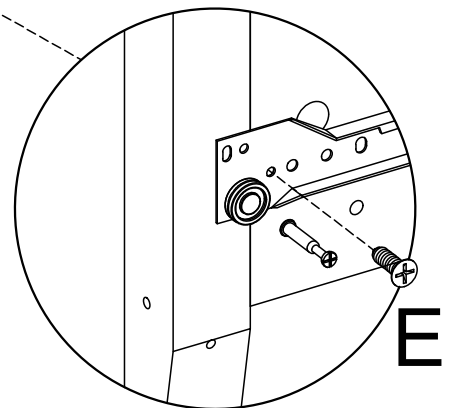
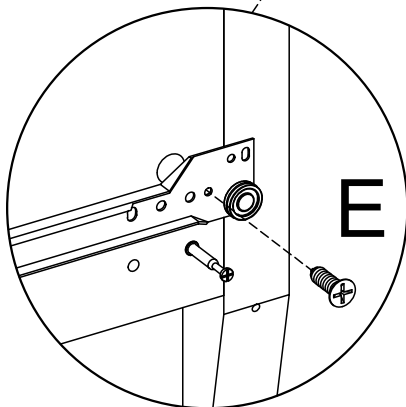
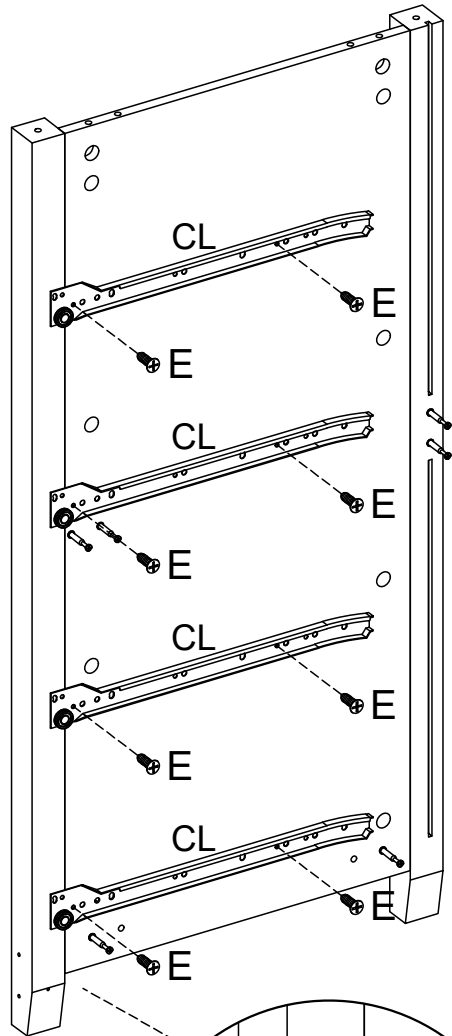
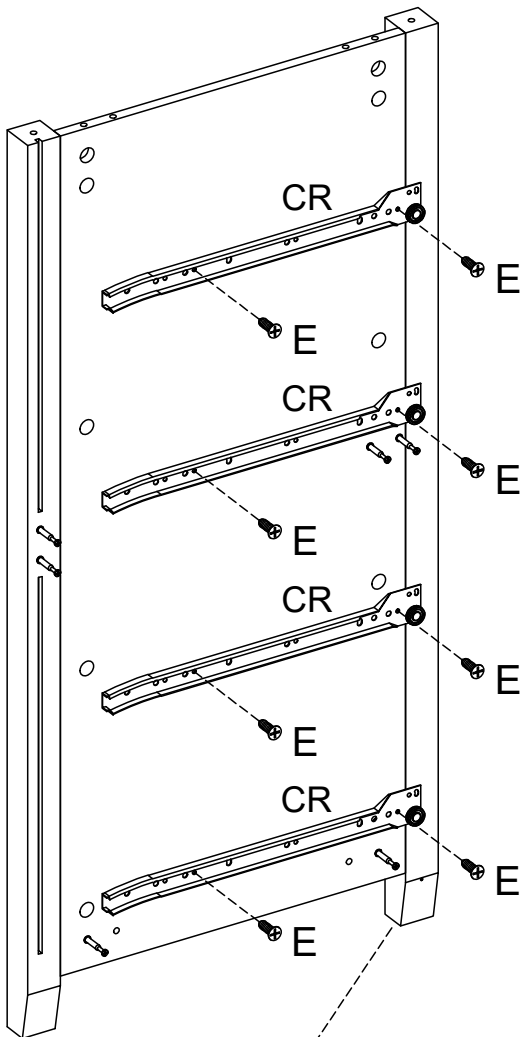
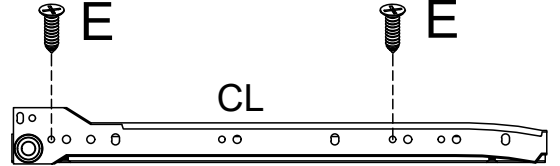
E



x4

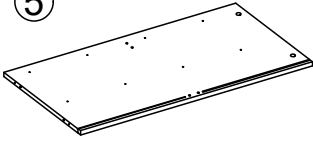
x4

x16



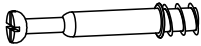
6

⑤

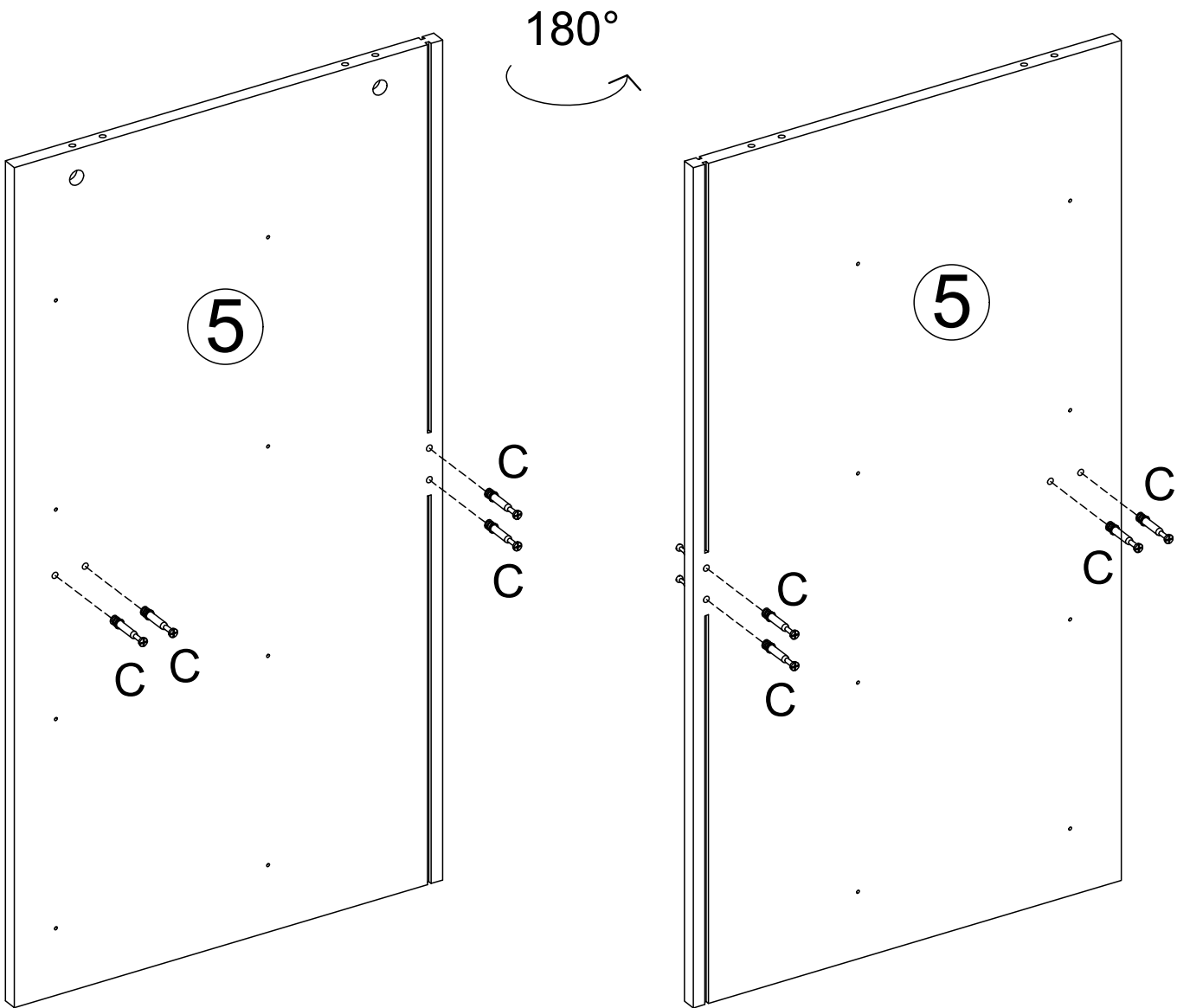
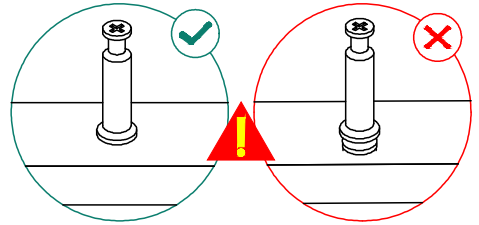


x1

C



x8



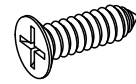
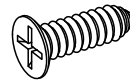
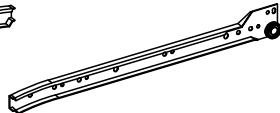
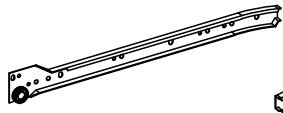
7

CL

CR

E

F

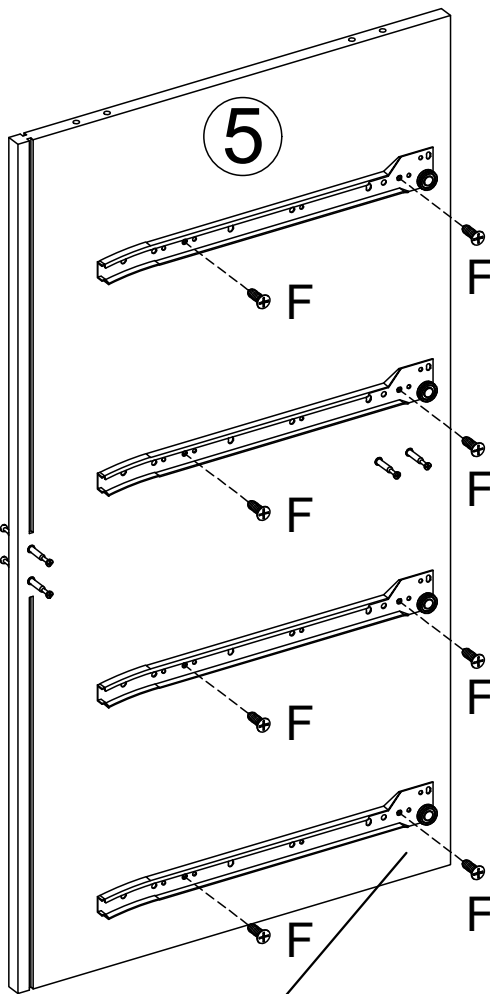


x4

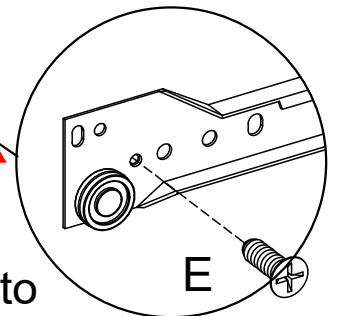
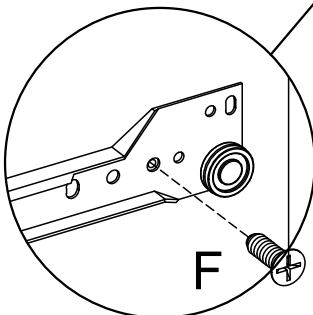
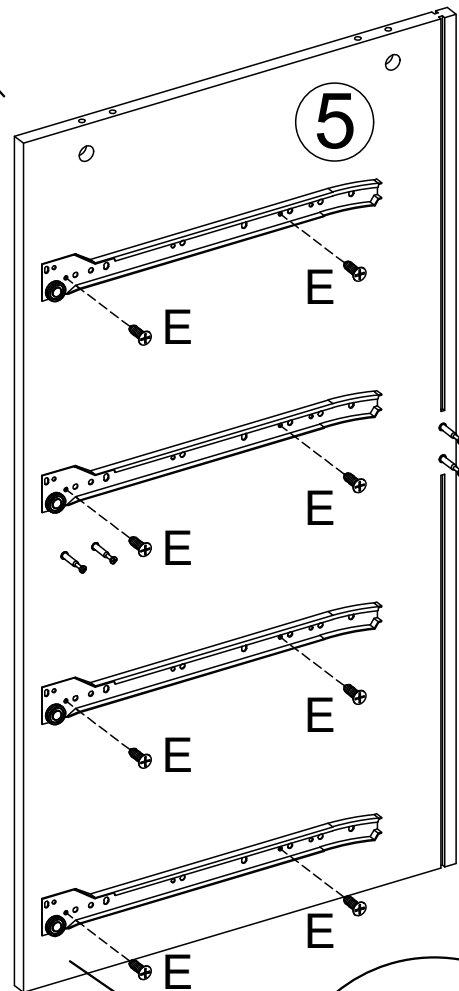
x4

x8

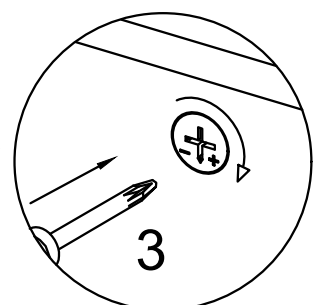
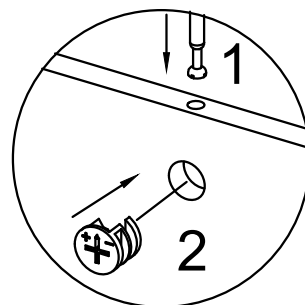
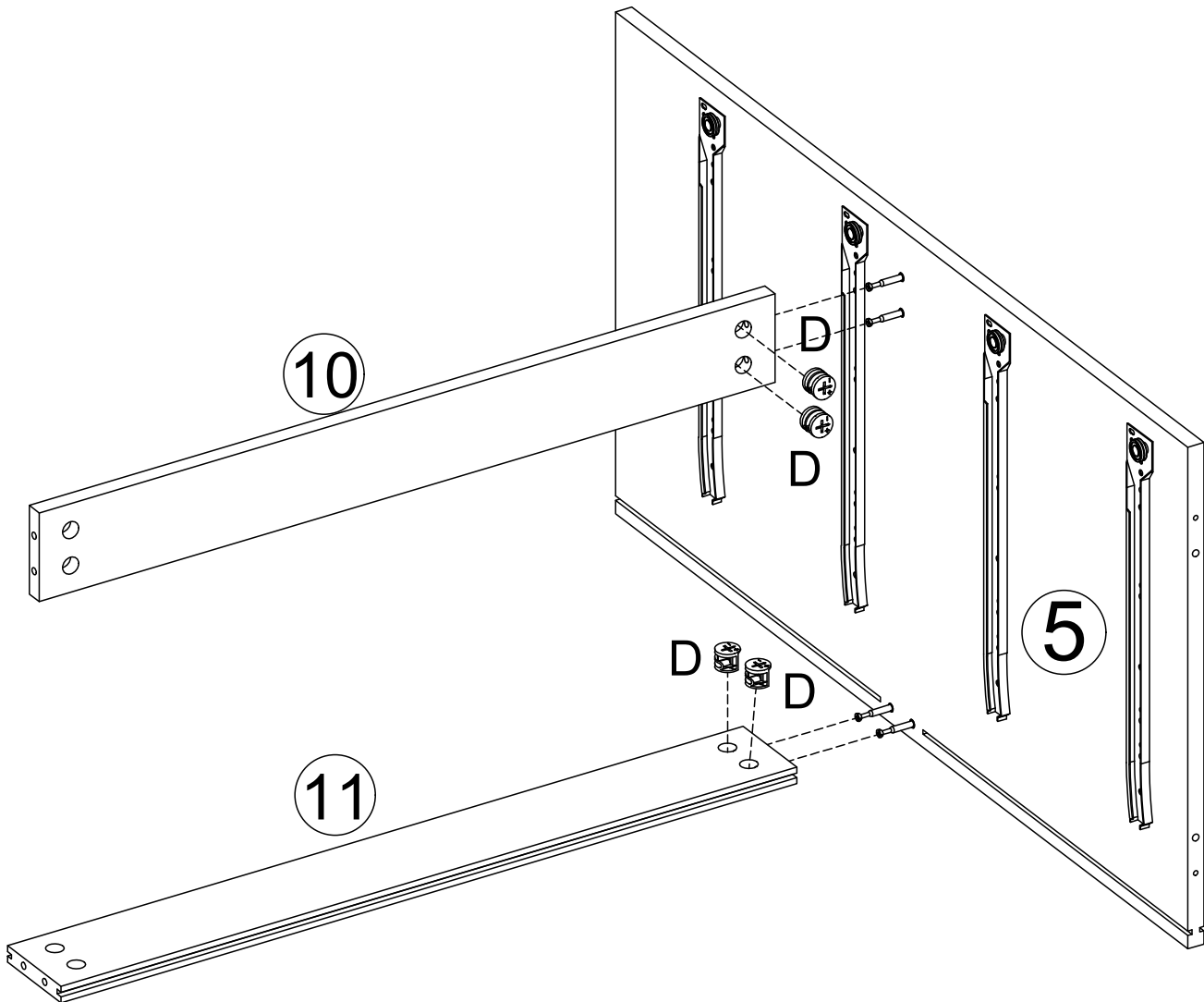
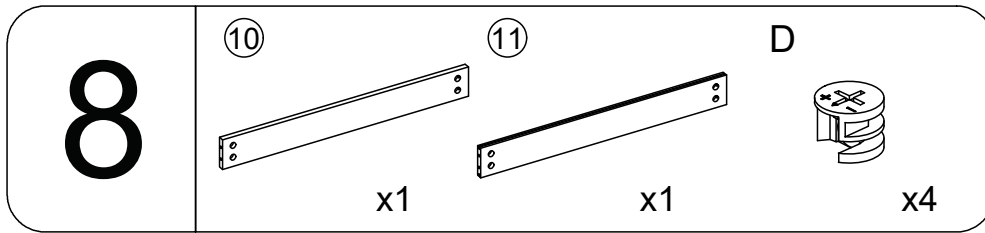
x8



180°



Please note that the screws numbered E and F correspond to different positions and orientations.

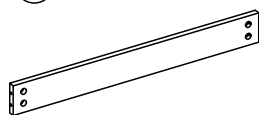


9

10

11

D



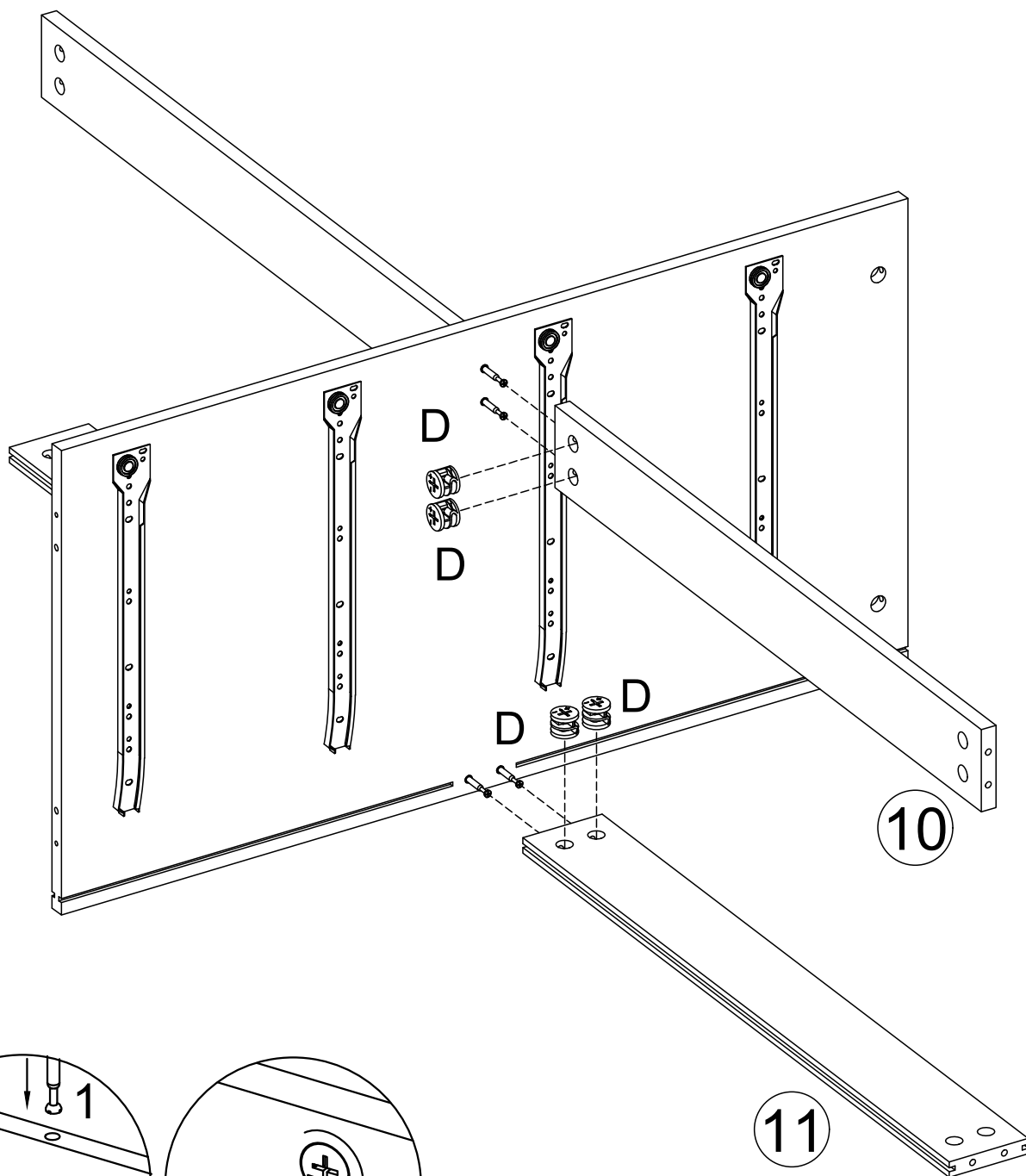
x1



x1

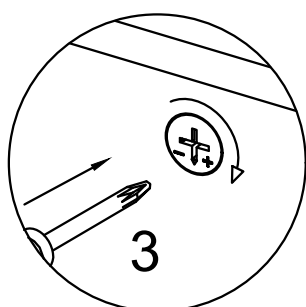
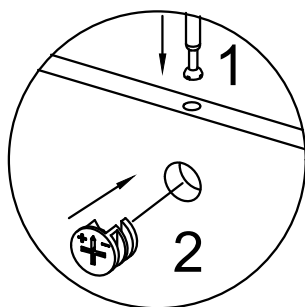


x4



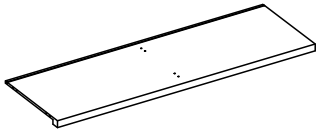
10

11



10

②



B

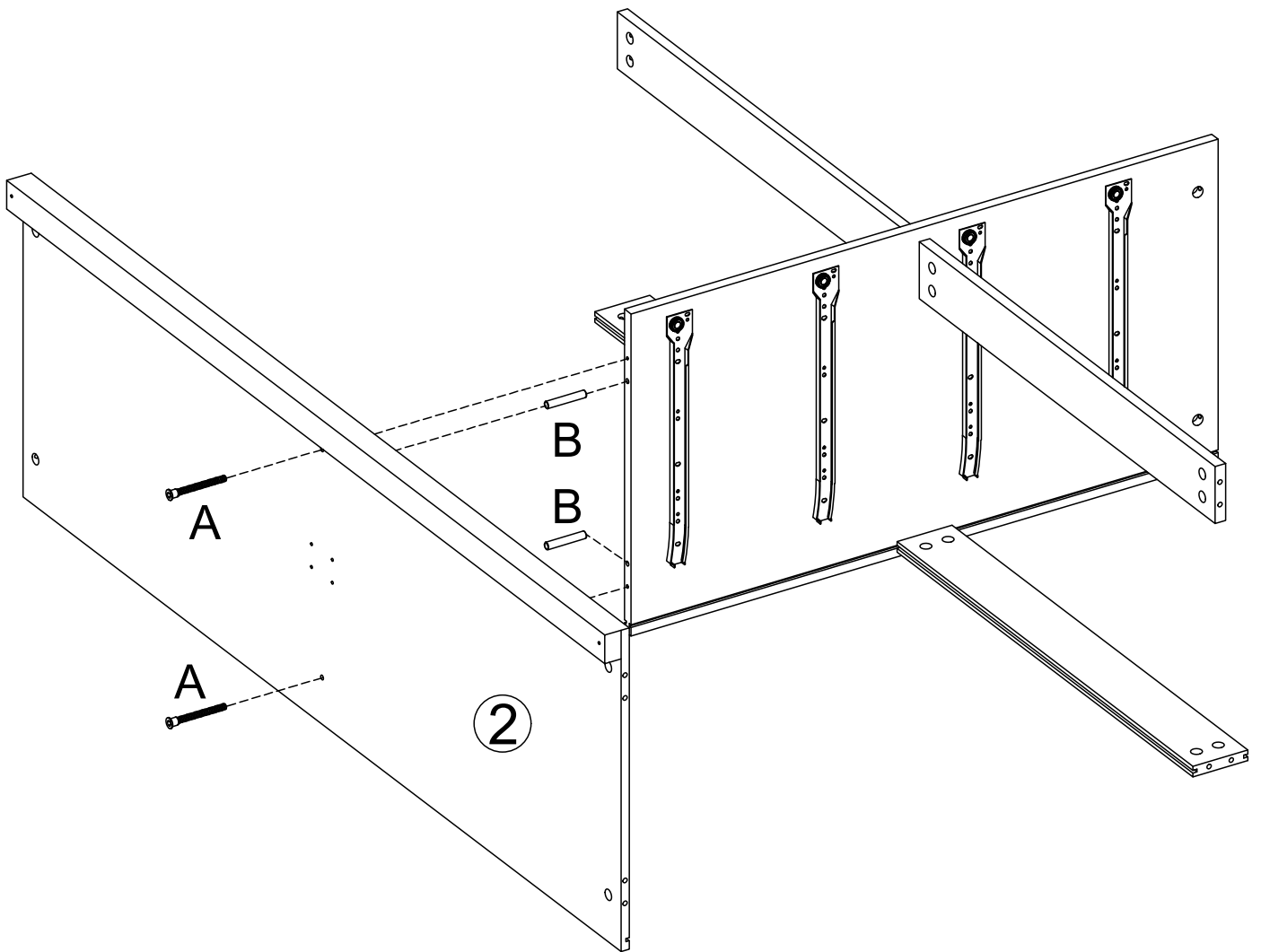


x2

A



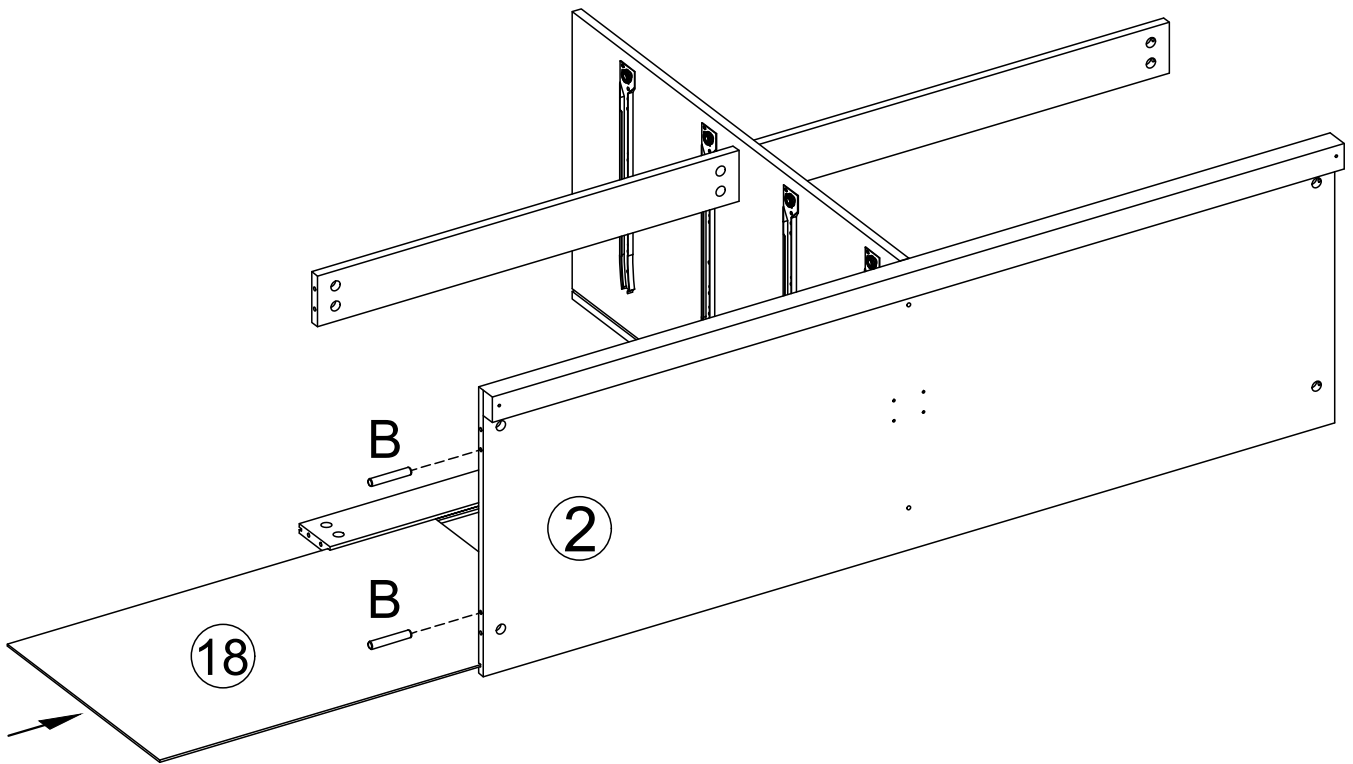
x2




11

⑱ x1

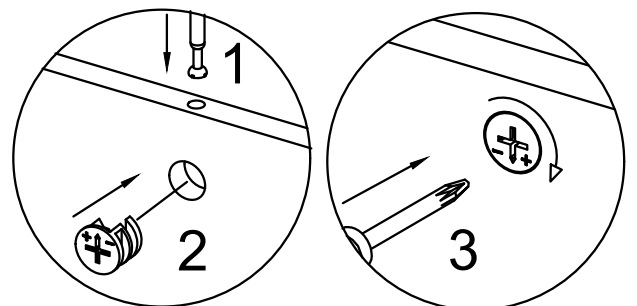
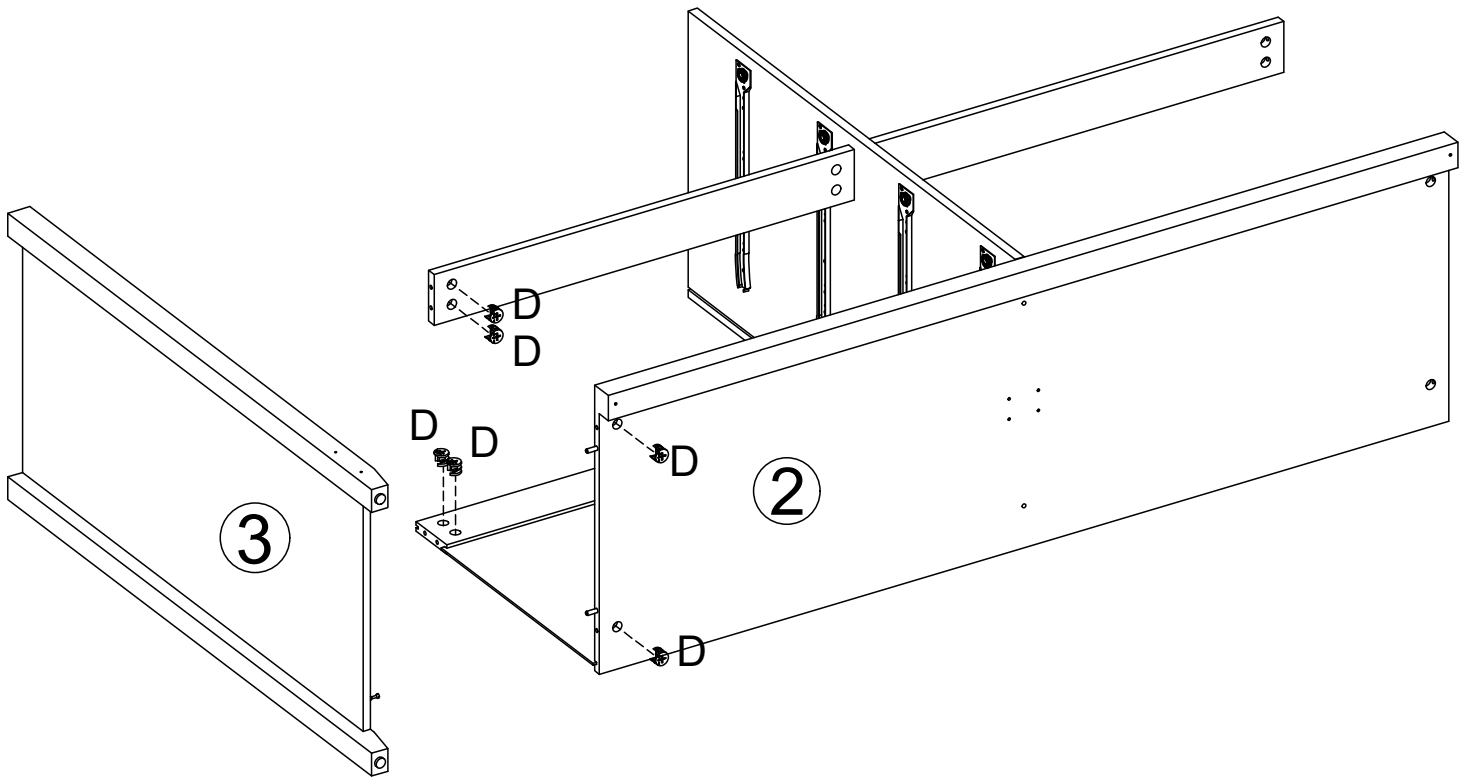
B x2



12^D

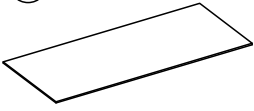


x6



13

18

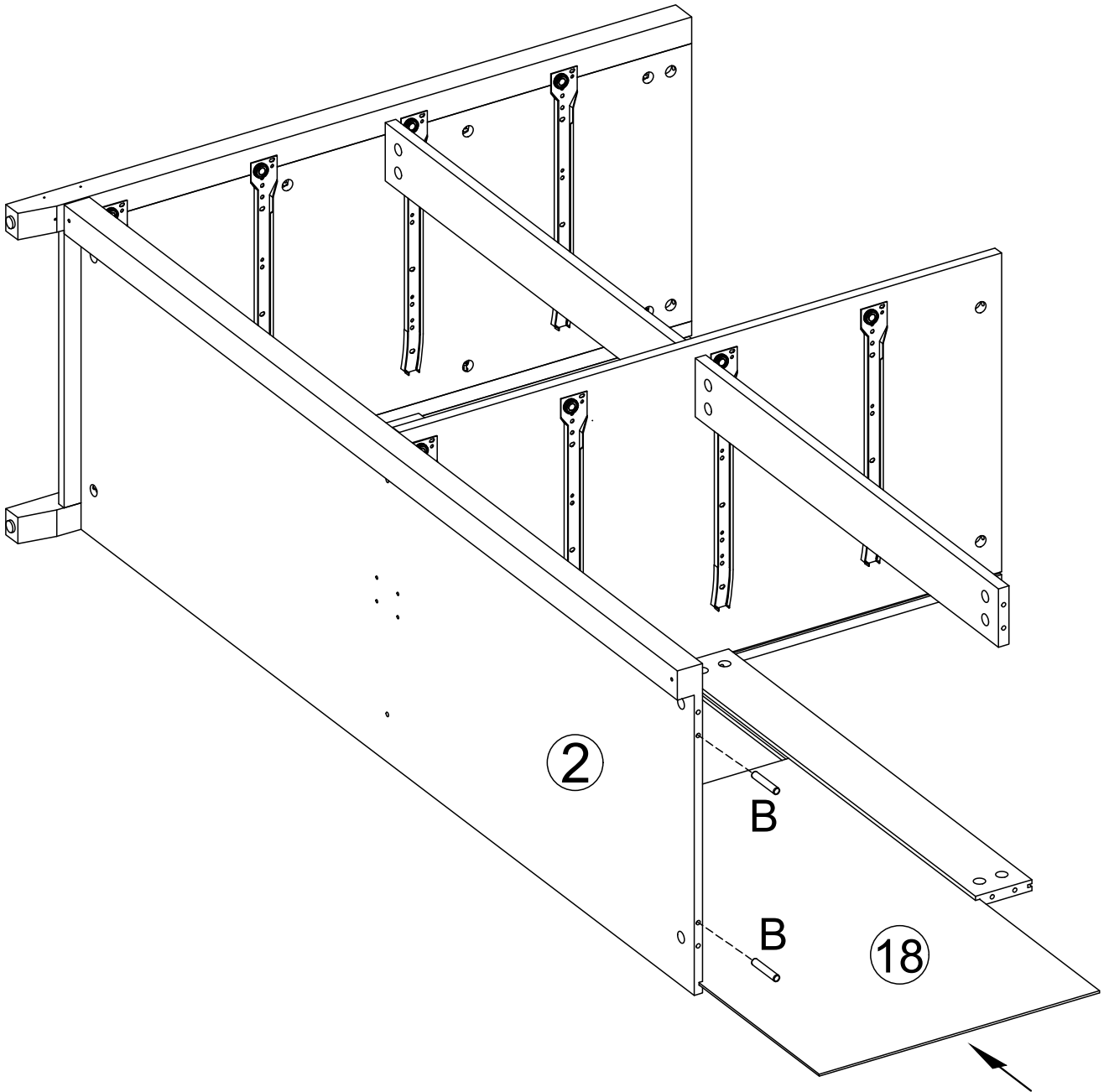


x1


B



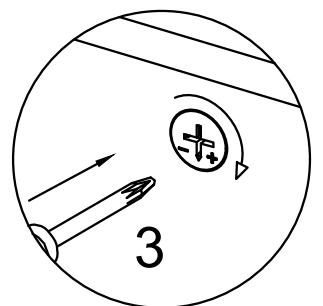
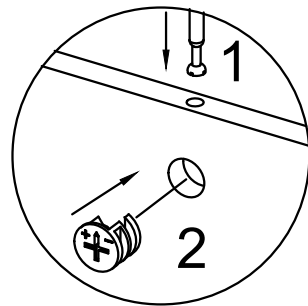
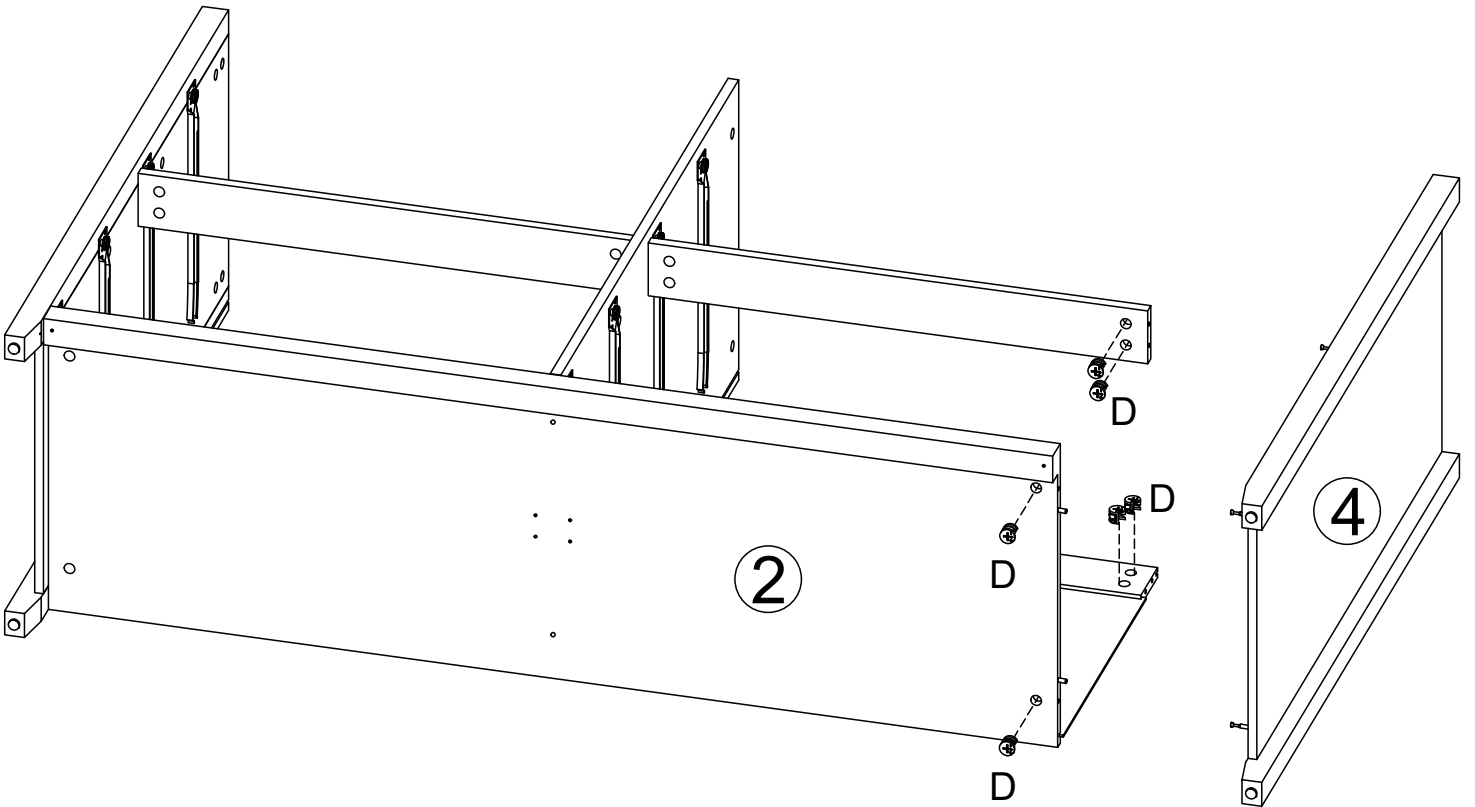
x2



14^D

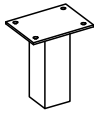


x6



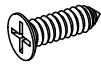
15

19



x1

F



x4

G



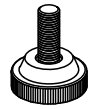
x2

H

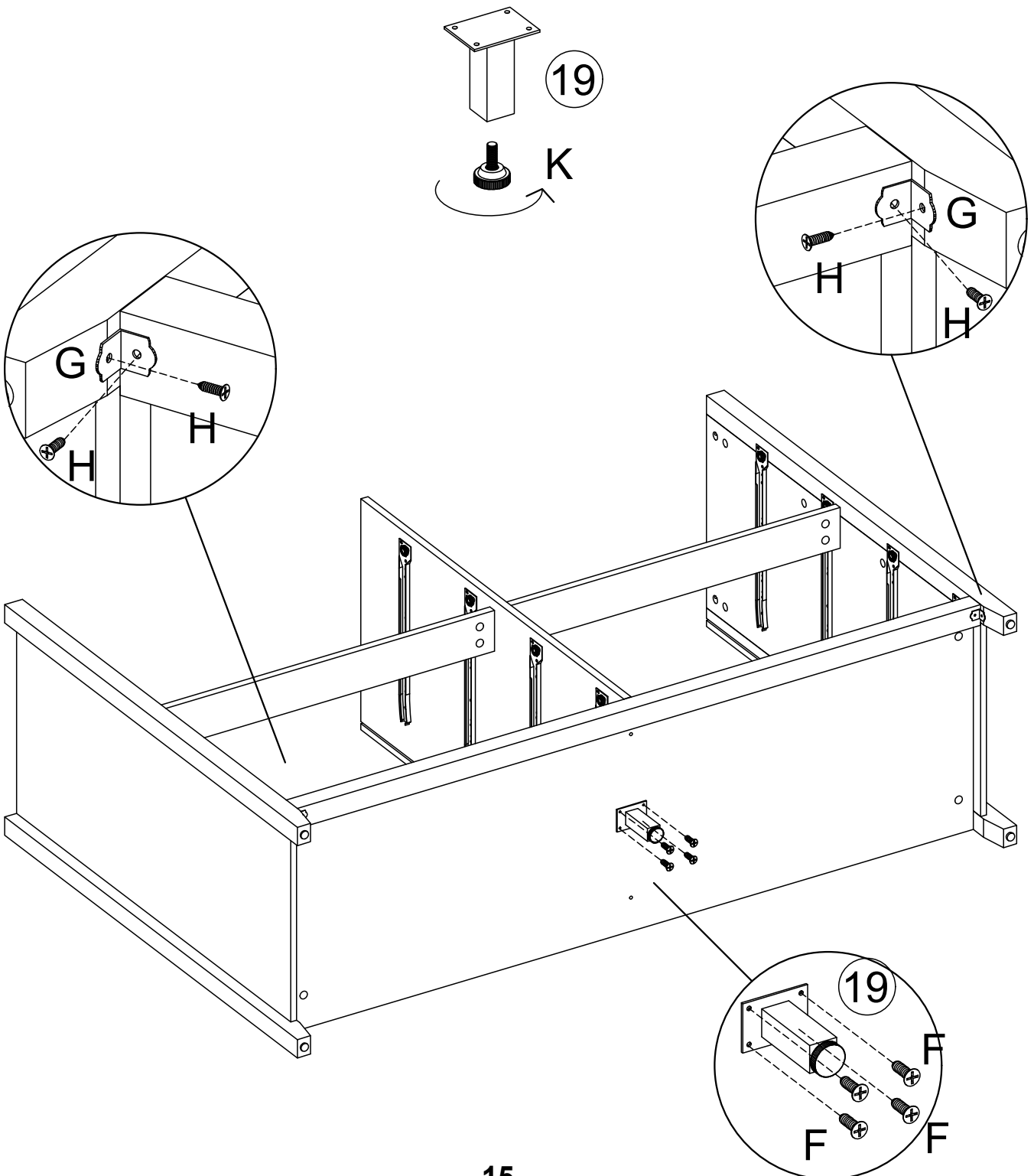


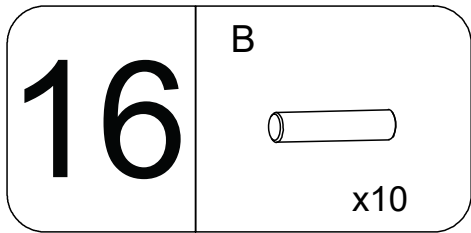
x4

K

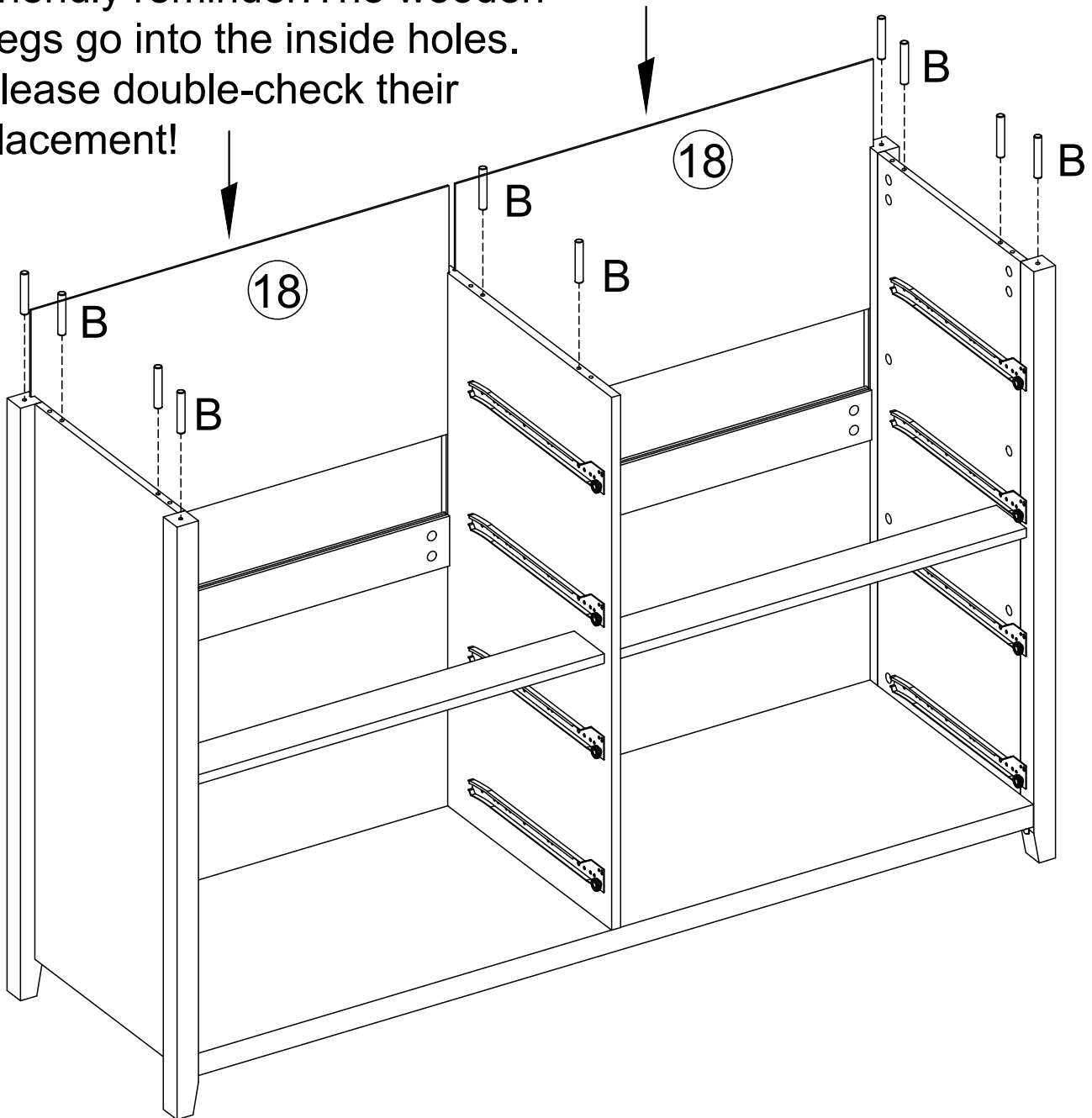


x1



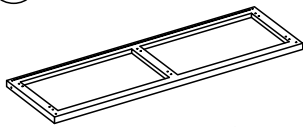


Friendly reminder: The wooden
pegs go into the inside holes.
Please double-check their
placement!



17

1

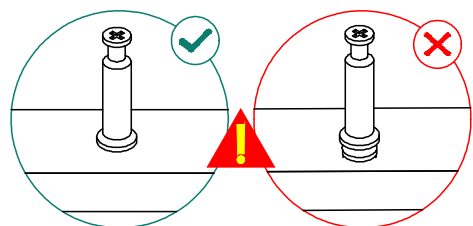
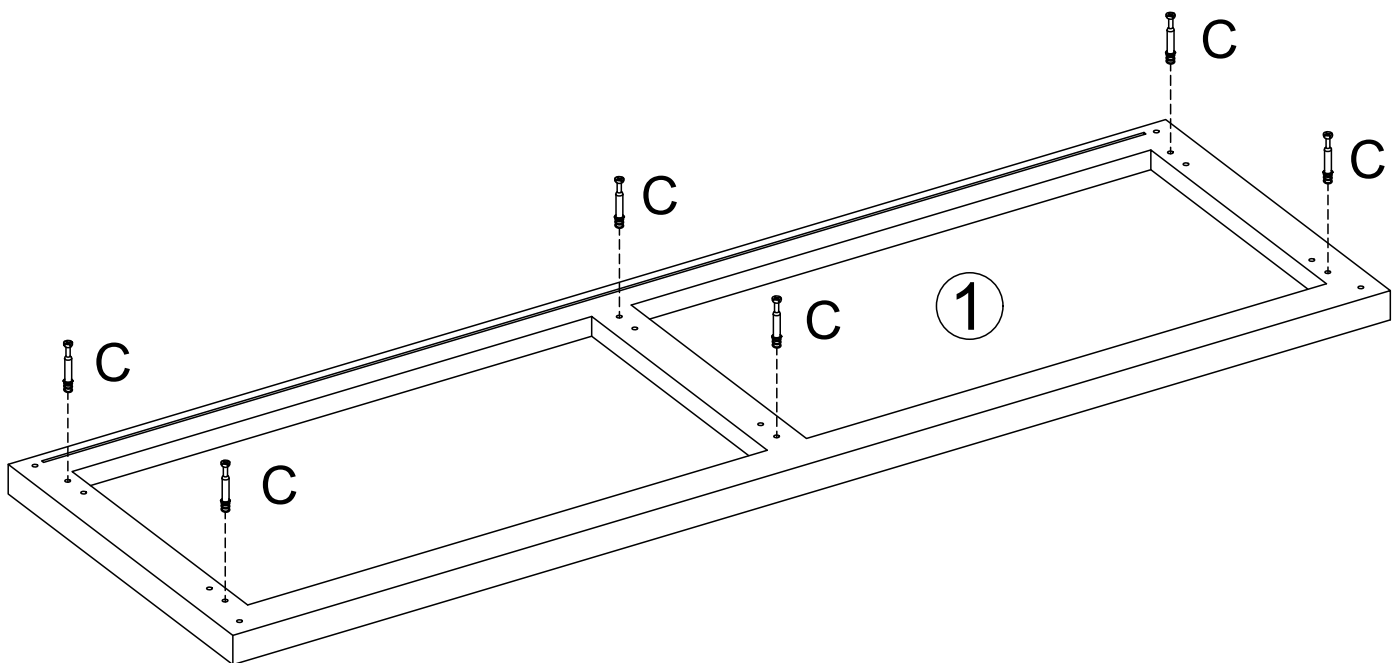


x1

C



x6

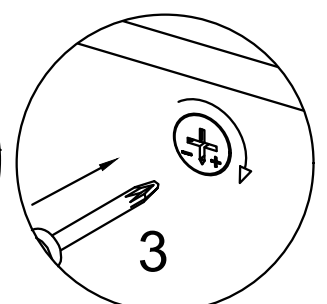
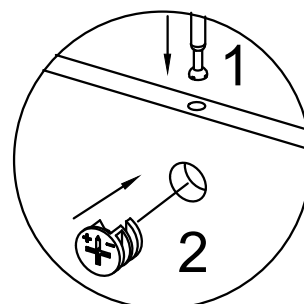
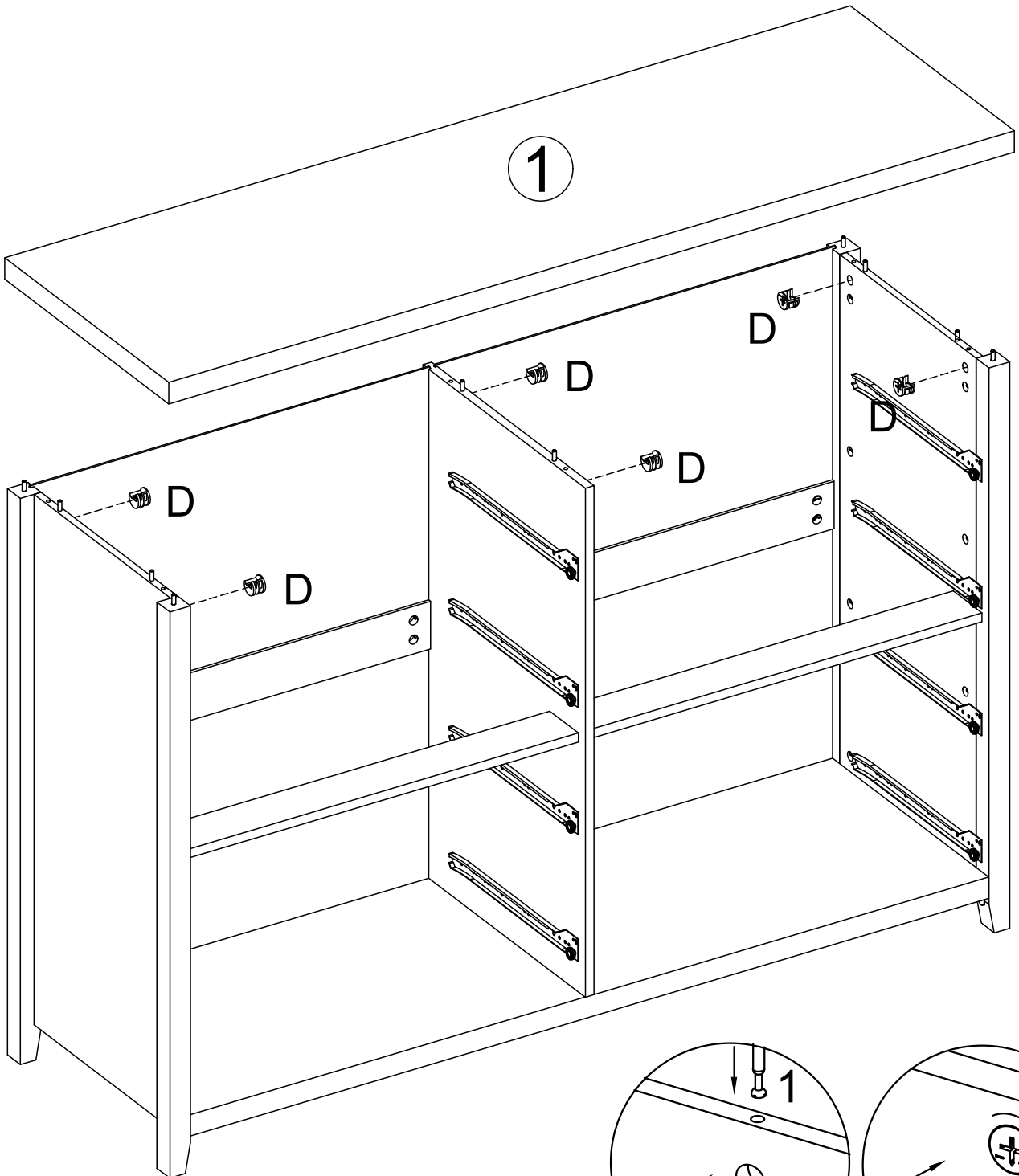


18

D

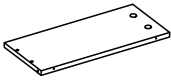


x6



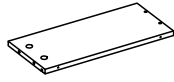
19

13



x8

14



x8

15



x8

17

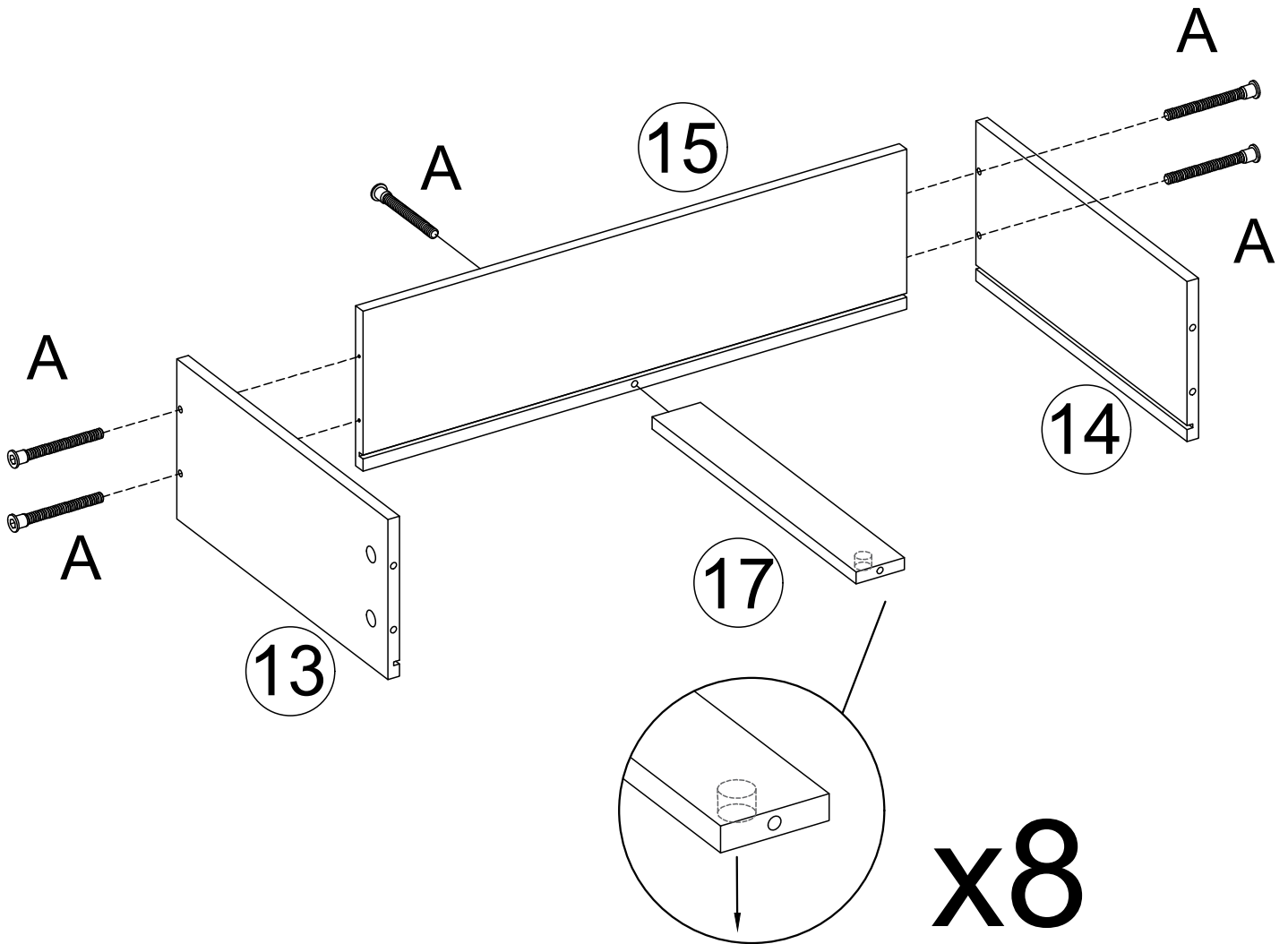


x8

A

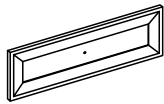


x40



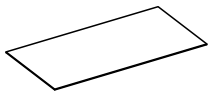
20

12



x8

16



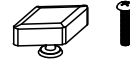
x8

C

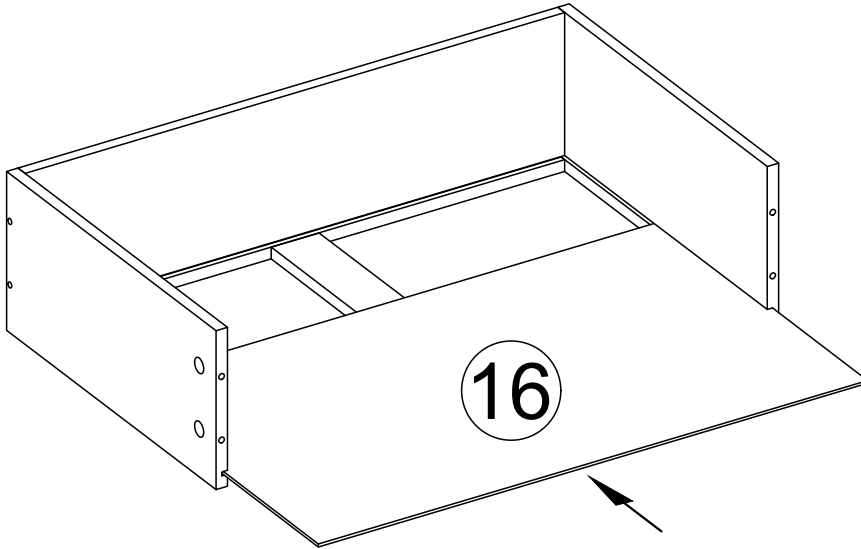


x40

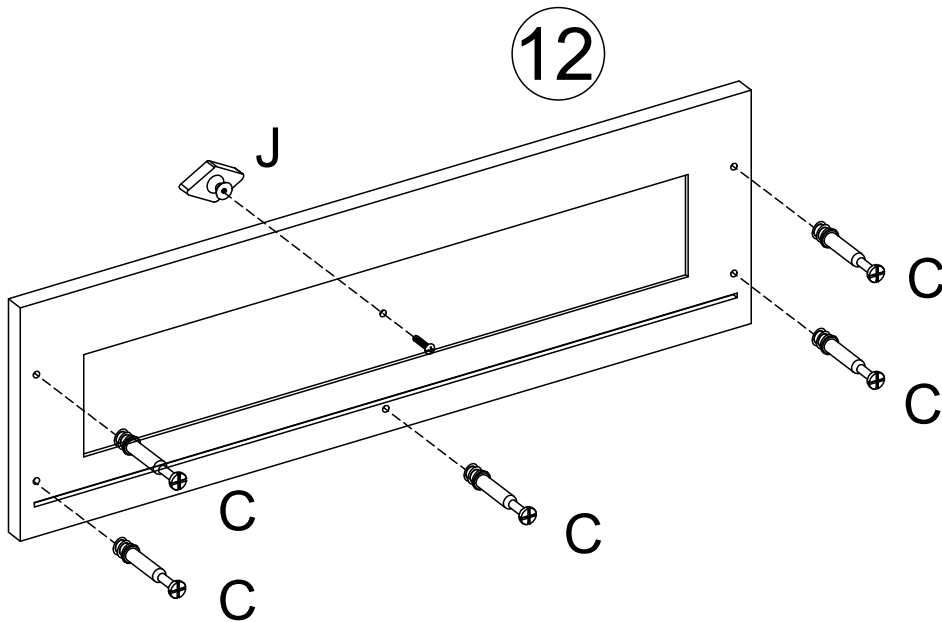
J



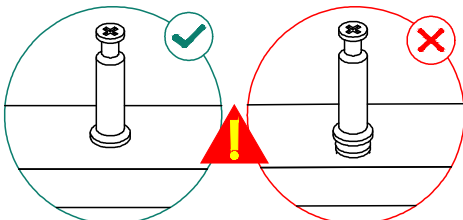
x8




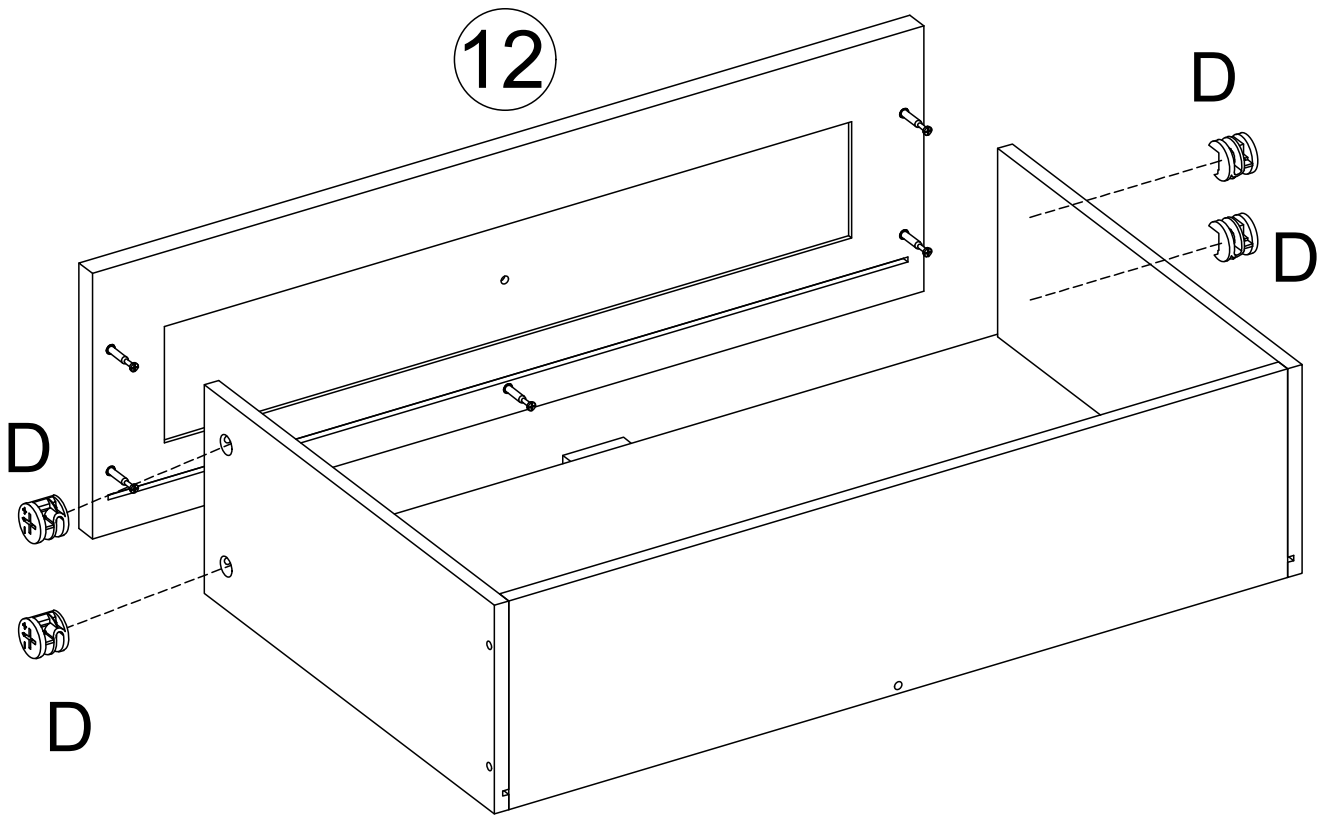
x8



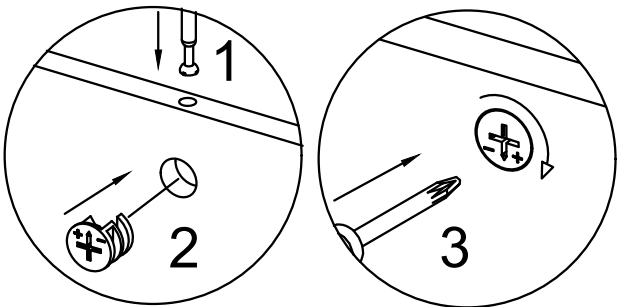
x8



21 ^D

x32

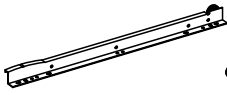


x8



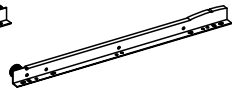
22

DL



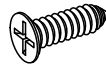
x8

DR



x8

E

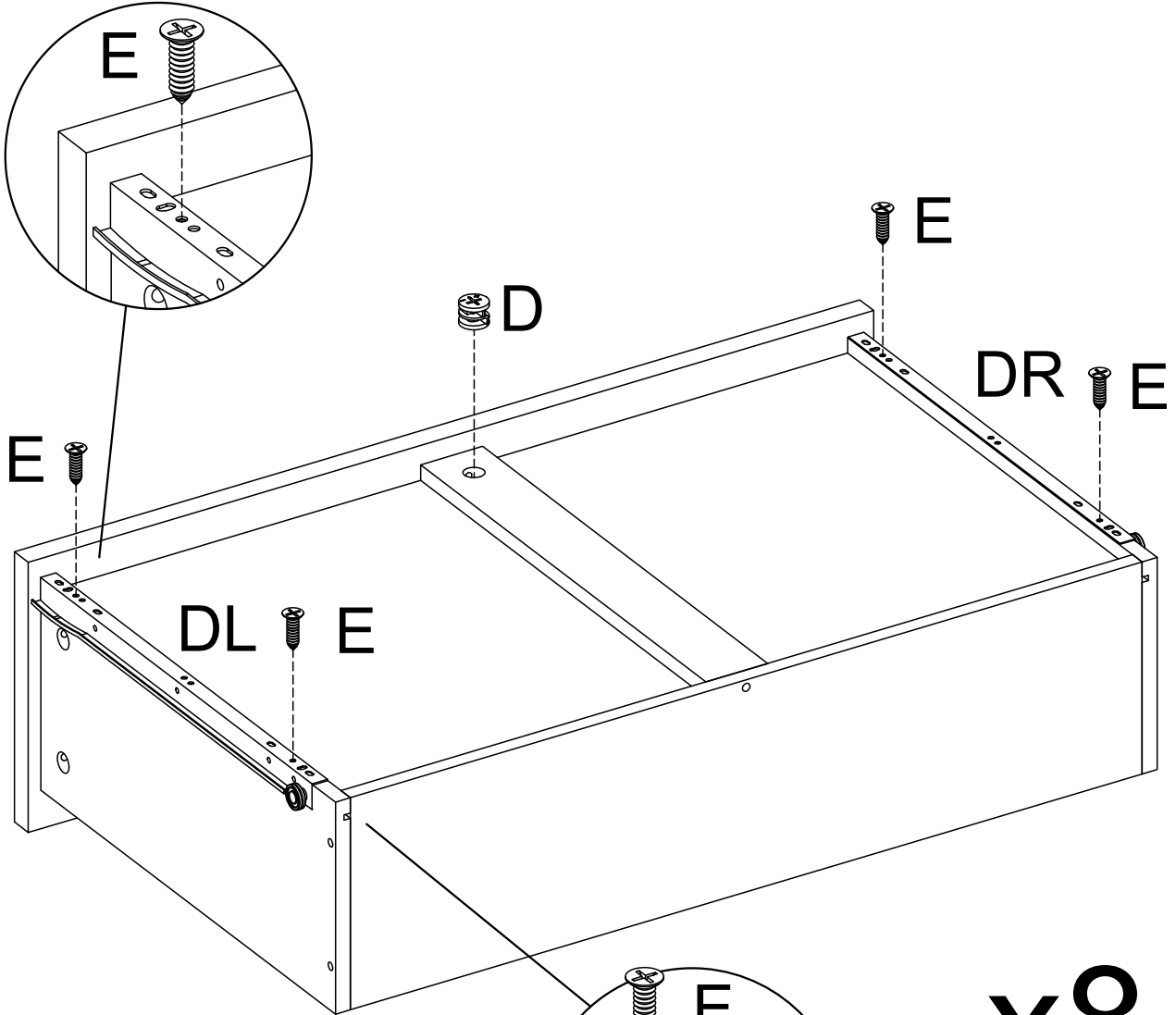


x32

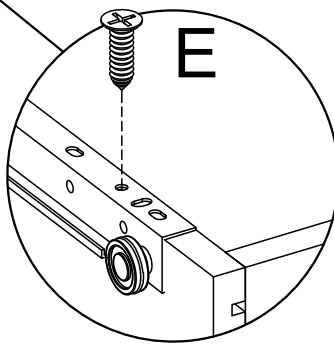
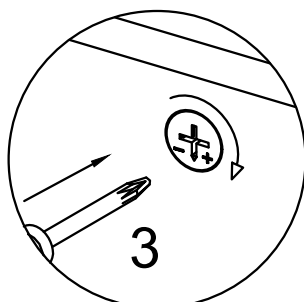
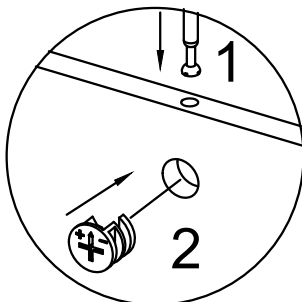
D



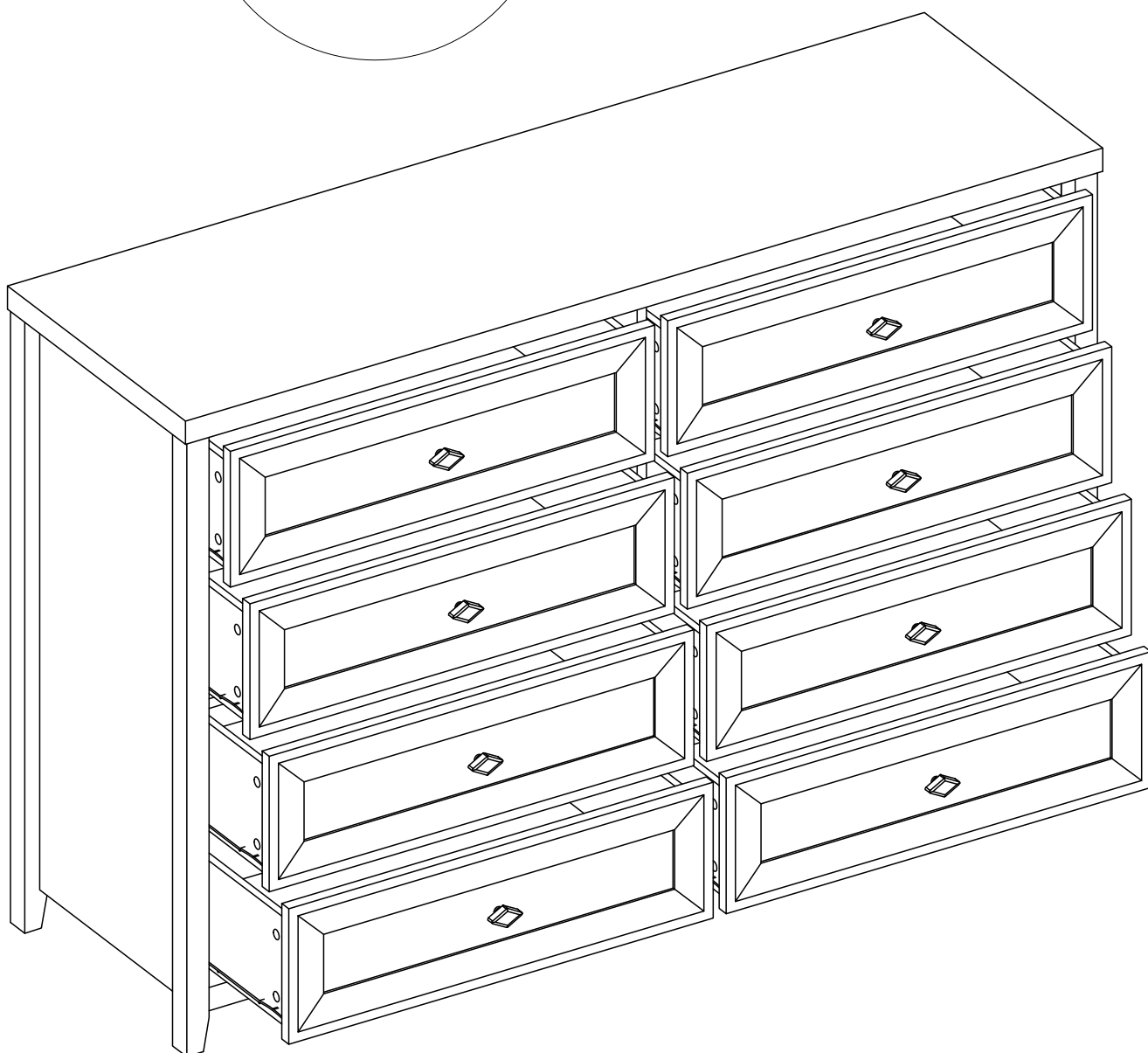
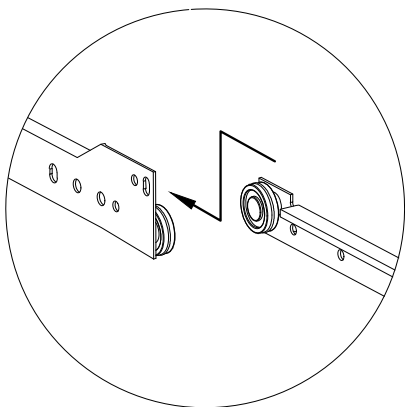
x8



x8

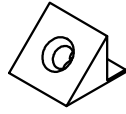
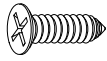


23

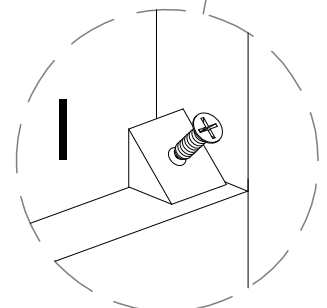
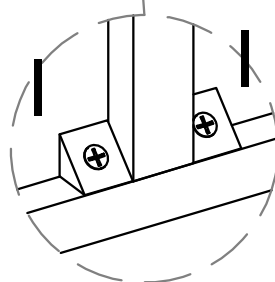
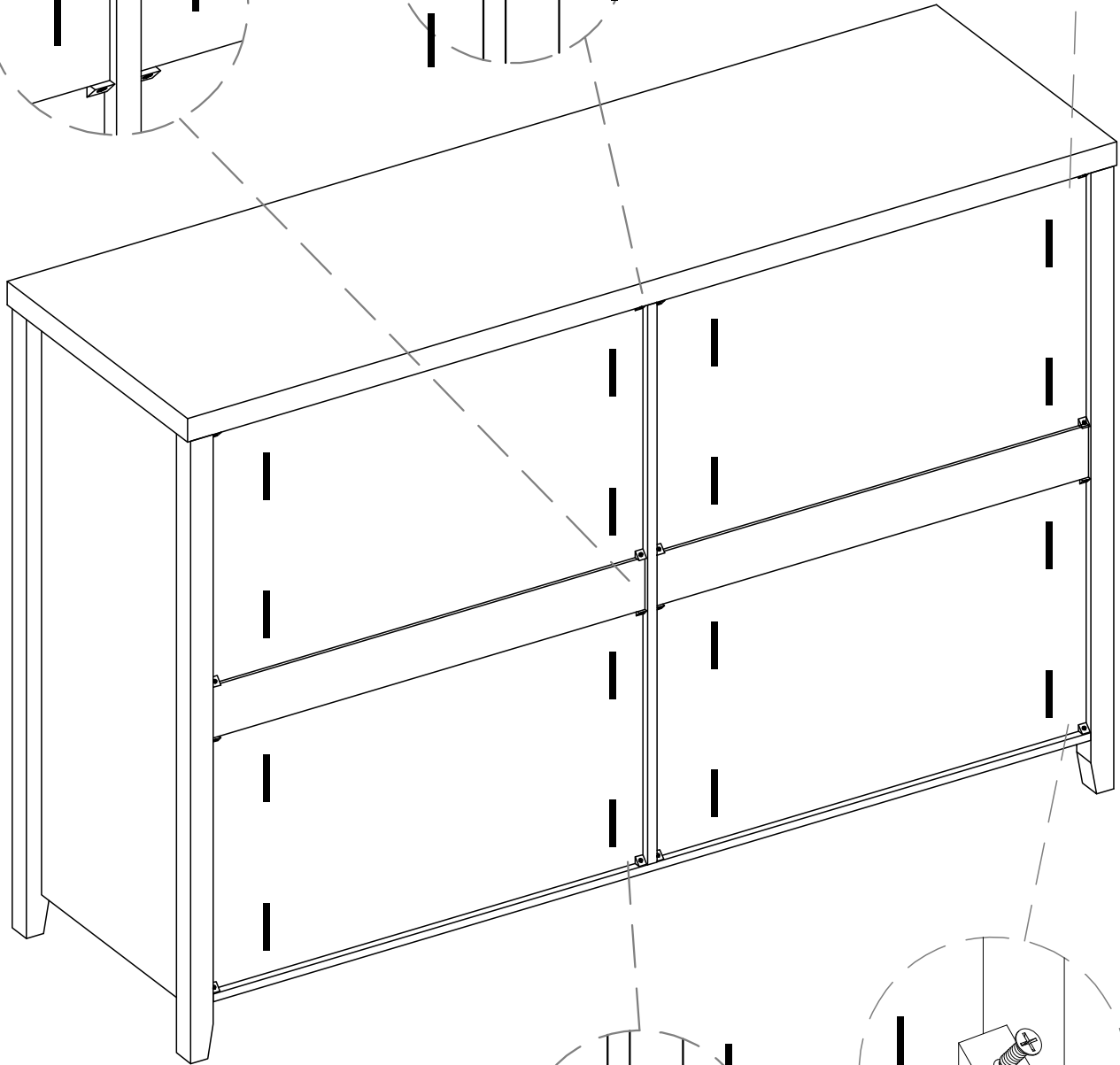
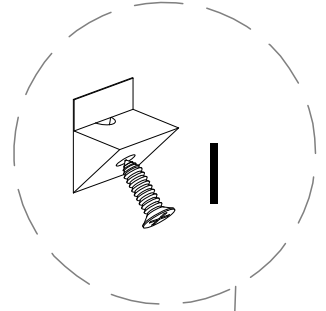
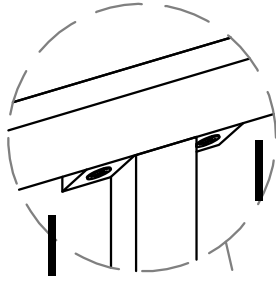
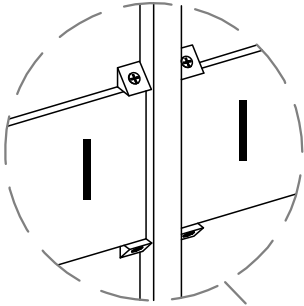


24

1



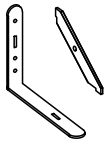
x16



24

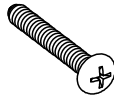
25

L



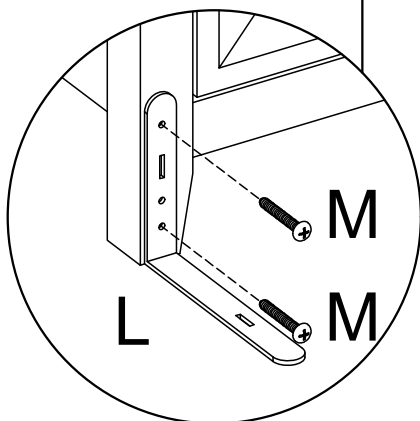
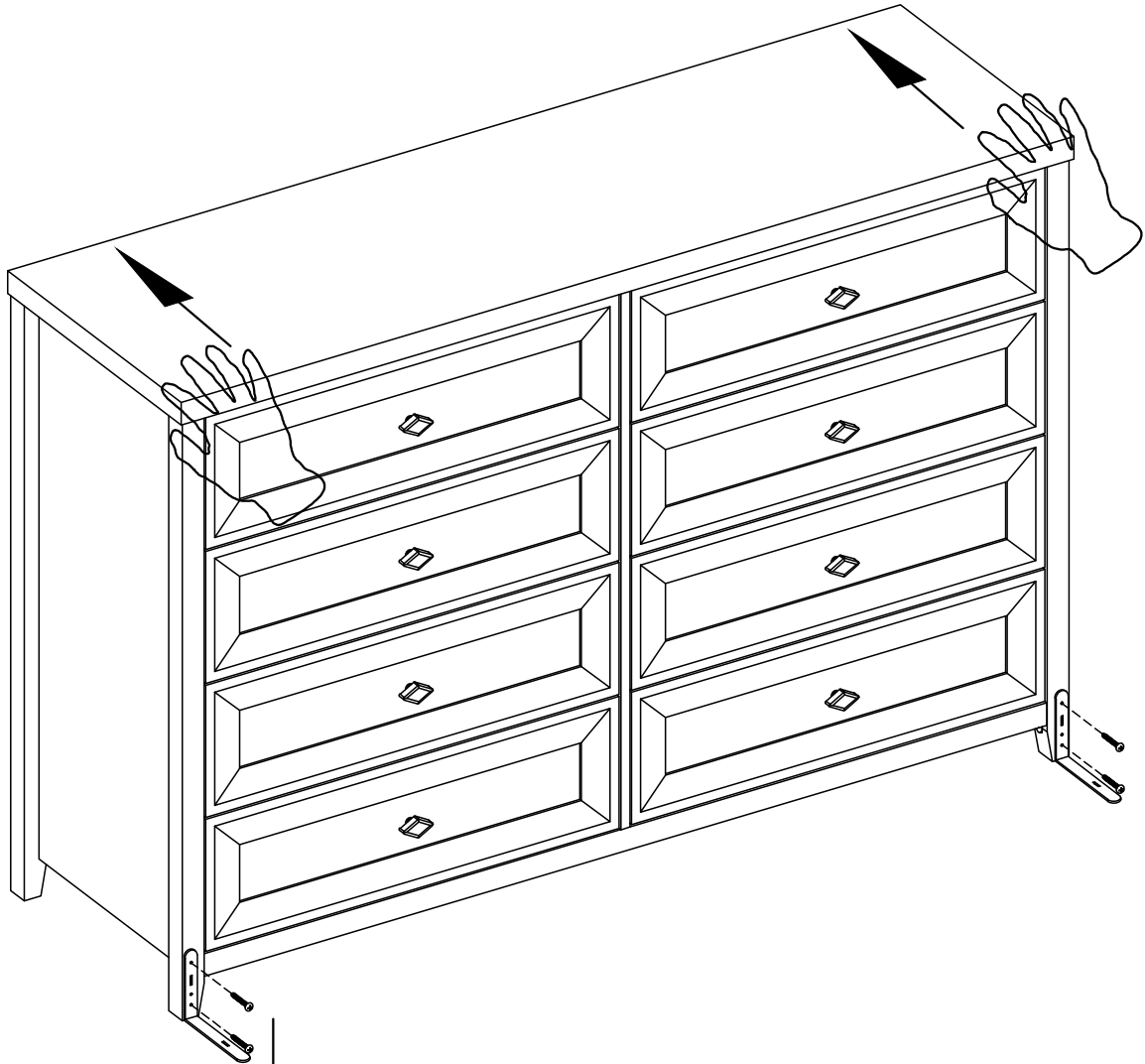
x2

M

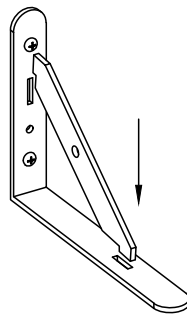


x4

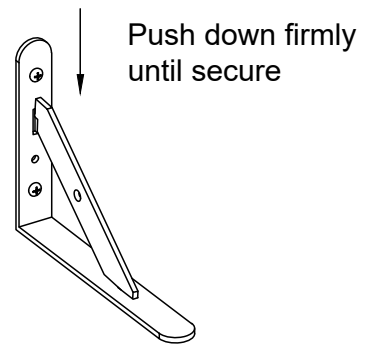
First, snap the lower support clips into place. Then align the upper support clips with the mounting points and press inward—use your other hand to push the cabinet forward to widen the angle, which will make it easier to lock the clips securely.



STEP 1



STEP 2



STEP 3

26

N



N1



N2



N3

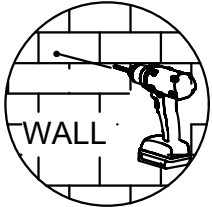


N4

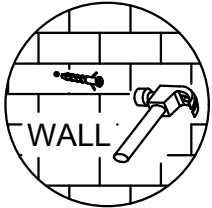
x2



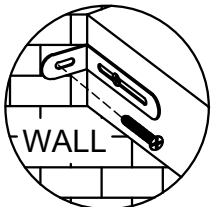
Step 1



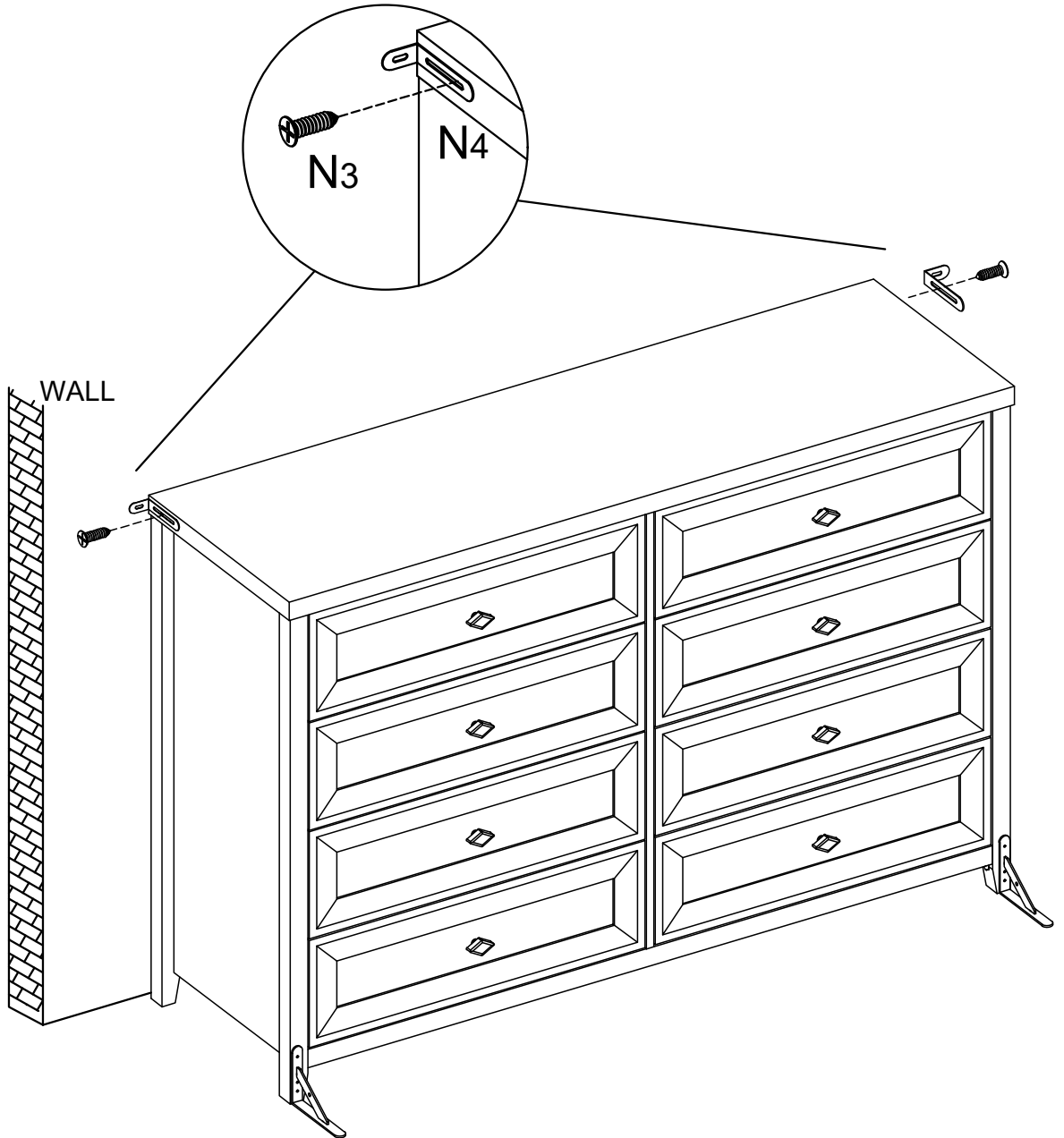
Step 2



Step 3



Step 4



Mandatory Anti-Tip Installation Notice:

For maximum safety, the front anti-tip bracket and rear wall-mount fasteners **MUST** be installed. This prevents the cabinet from tipping, protecting you and your family from serious injury. Please follow the installation diagrams carefully to ensure proper, secure attachment.

Thank You!

For Purchasing from us

Despite our reinforced packaging, transit mishandling can sometimes occur. In the rare event that your product arrives damaged, we're here to assist you. If your product is in perfect condition, you can disregard this message.

If you discover any damage upon receipt of your package, please contact our after-sales mailbox immediately.

Additionally, we kindly request your assistance in filing a claim against the shipping carrier for the mishandling of your package. Please help us by providing clear photo as follows:

- ★ Complete Shipping Label (Express Delivery Waybill): Take a clear image of the entire shipping label affixed to the package with visible and legible text and barcodes
- ★ Exterior Packaging Damage: Capture a comprehensive photo showing the damaged exterior of the shipping package.
- ★ Interior Item Damage: Provide images focusing on the damaged areas of product

Your cooperation is invaluable, and we assure you that we're committed to resolving this issue promptly. Your satisfaction remains our top priority.

Thank you for your understanding and assistance.

Best regards,