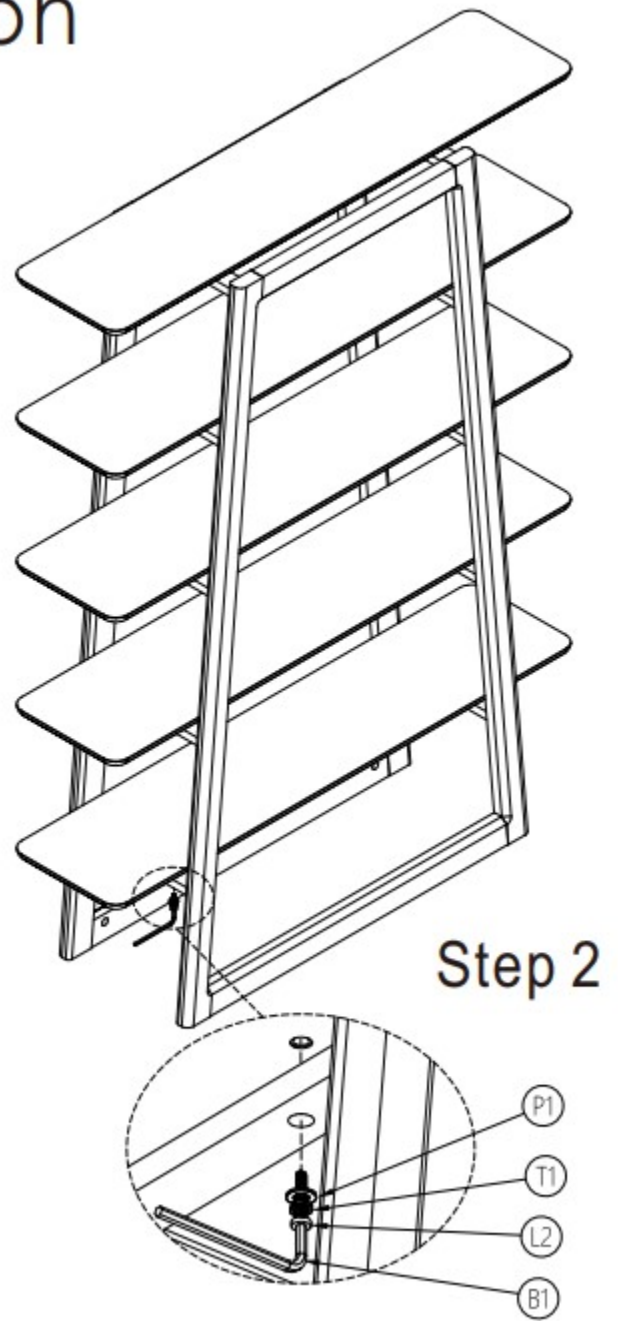
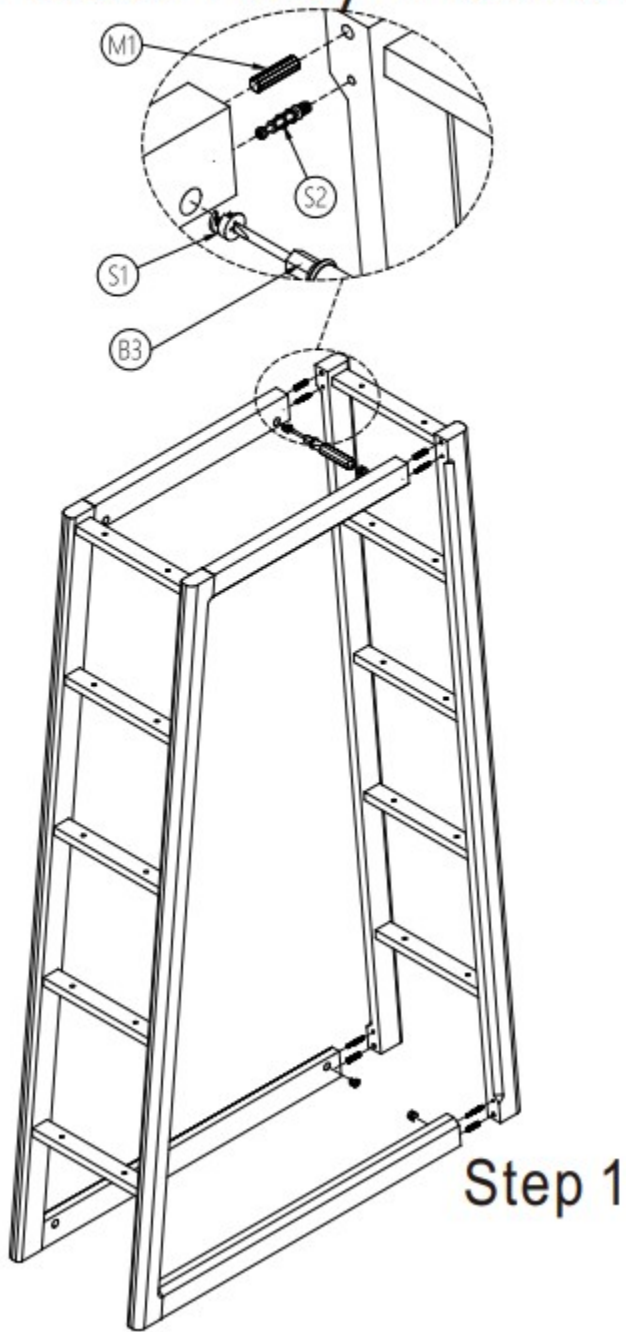
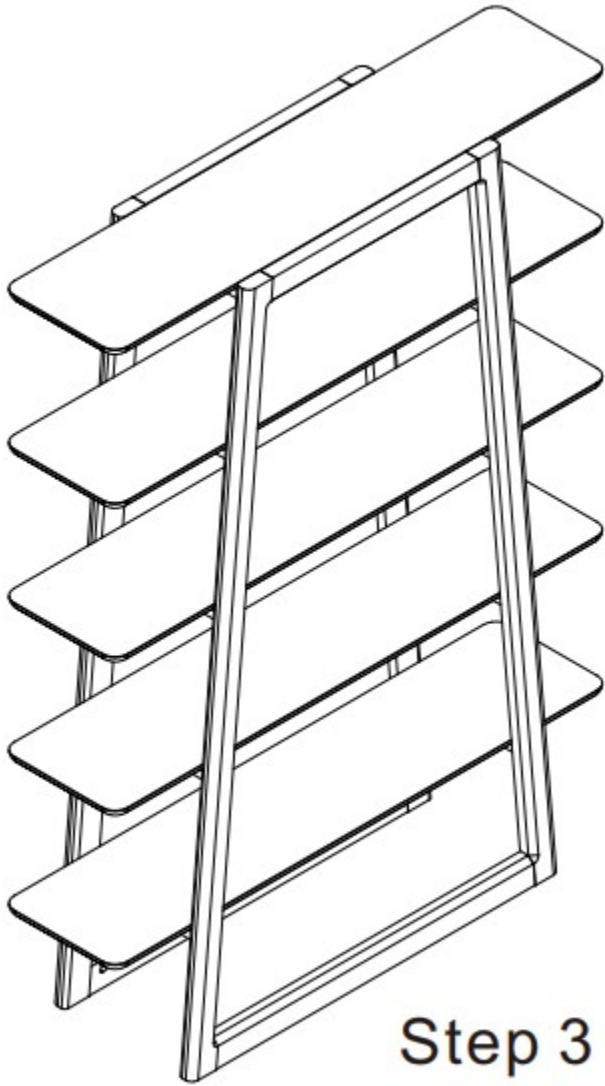


# Assembly Instruction





Step 3