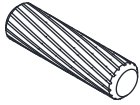


hardware

(M) x 26
Wood dowel



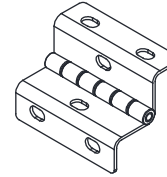
(N) x 23
Cam bolt



(O) x 23
Cam



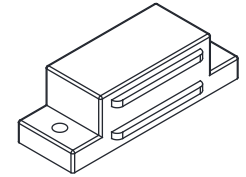
(P) x 2
Hinge



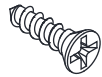
(Q) x 12
Screw Ø3.5 X 12mm



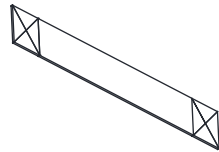
(R) x 1
Magnet



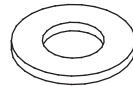
(S) x 10
Screw Ø3 X 16mm



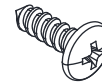
(T) x 1
Fabric strap



(U) x 2
Metal washer



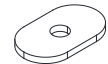
(V) x 1
Screw Ø4 X 14mm



(W) x 8
Plastic connector



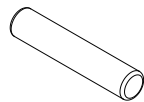
(X) x 1
Metal plate



(Y) x 1
Screw Ø3 X 12mm



(Z) x 8
Shelf pin



(Aa) x 1
Handle



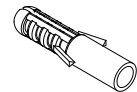
(Bb) x 1
Screw



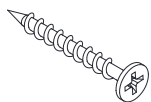
(Cc) x 12
Plastic cover



(Dd) x 1
Wall anchor



(Ee) x 1
Screw Ø3.8 X 35mm

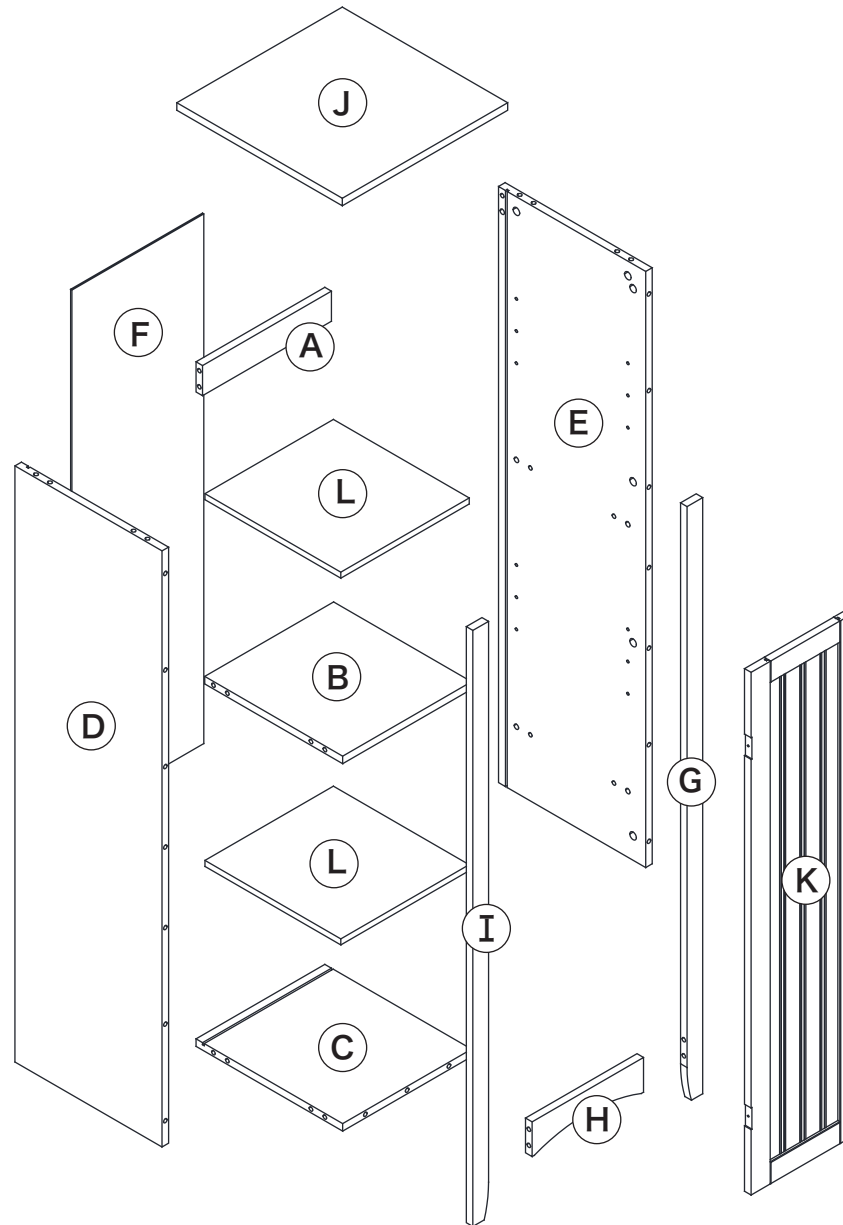


(Ff) x 2
Glue

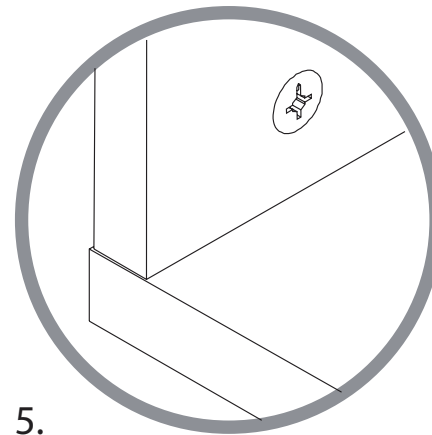
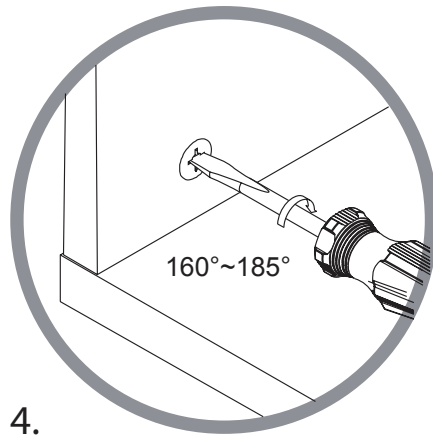
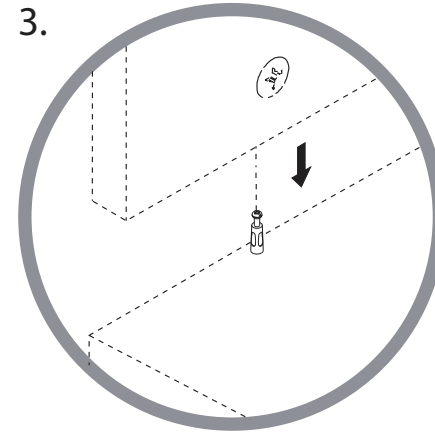
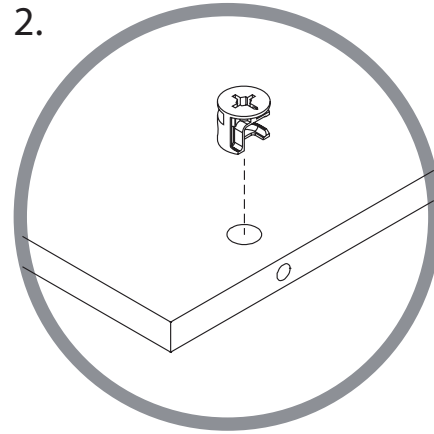
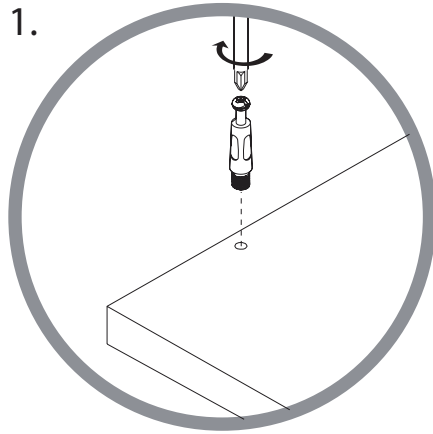


ITEM DESCRIPTION QUANTITY

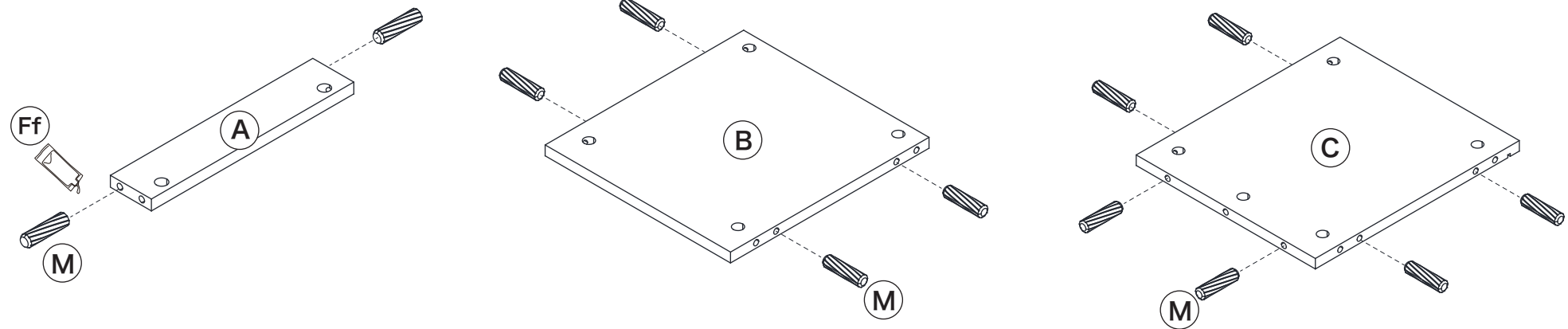
ITEM	DESCRIPTION	QUANTITY
A	Back rail	1
B	Fixed shelf	1
C	Bottom	1
D	Left side panel	1
E	Right side panel	1
F	Back panel	1
G	Right side rail	1
H	Toe kick	1
I	Left side rail	1
J	Top	1
K	Door panel	1
L	Adjustable shelf	2
M	Wood dowel	26
N	Cam bolt	23
O	Cam	23
P	Hinge	2
Q	Screw Ø3.5 X 12mm	12
R	Magnet	1
S	Screw Ø3 X 16mm	10
T	Fabric strap	1
U	Metal washer	2
V	Screw Ø4 X 14mm	1
W	Plastic connector	8
X	Metal plate	1
Y	Screw Ø3 X 12mm	1
Z	Shelf pin	8
Aa	Handle	1
Bb	Screw	1
Cc	Plastic cover	12
Dd	Wall anchor	1
Ee	Screw Ø3.8 X 35mm	1
Ff	Glue	2



how to use the cam lock system



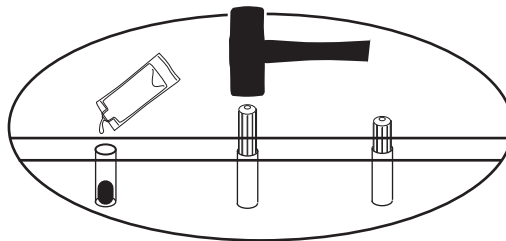
step 1.



(M) x 12
Wood dowel

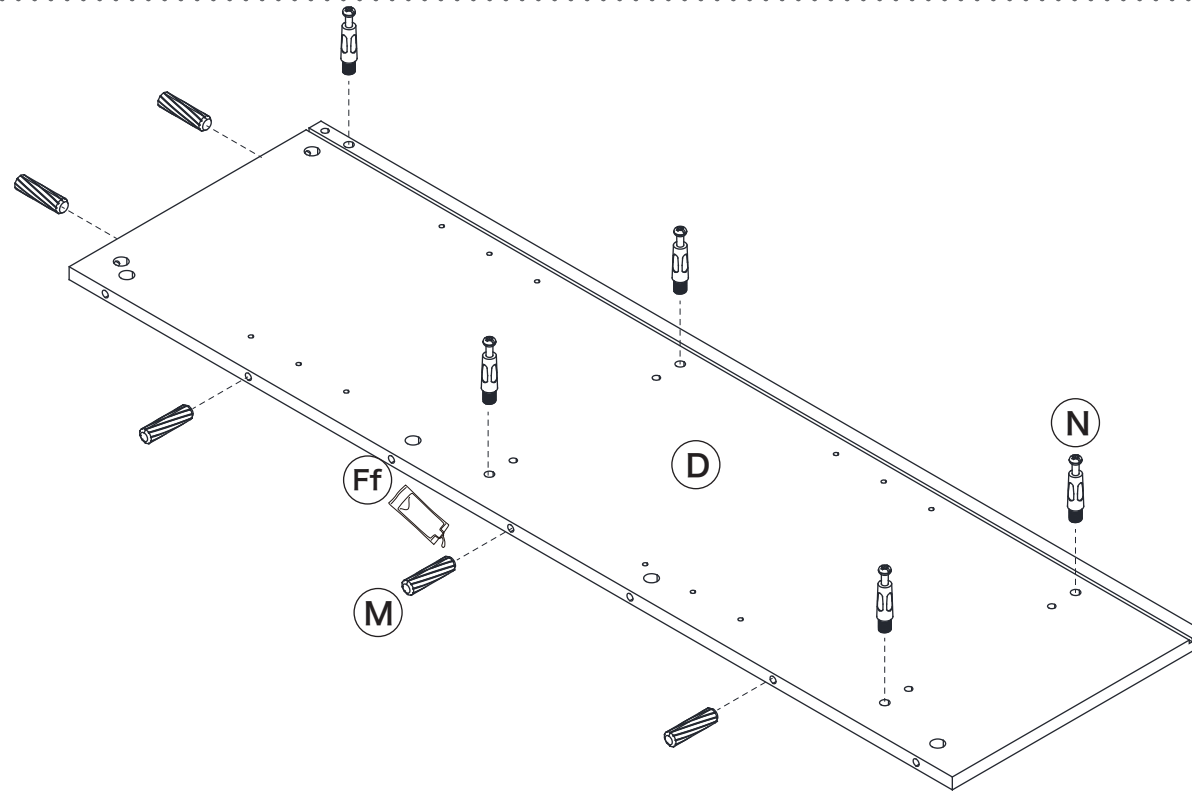


(Ff)
Glue



1. Instill the glue (Ff) to the wood dowel hole as image shown.
2. Insert the wood dowel (M) to the part (A), (B) and (C).

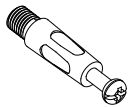
step 2.



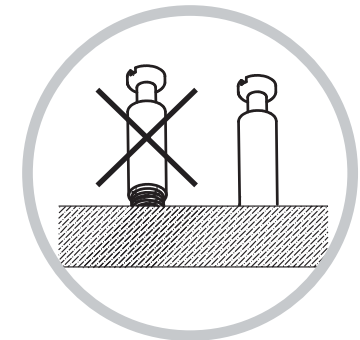
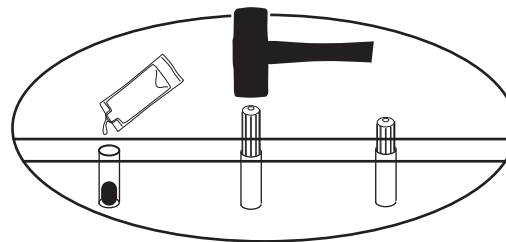
(M) x 5
Wood Dowel



(N) x 5
Cam Bolt

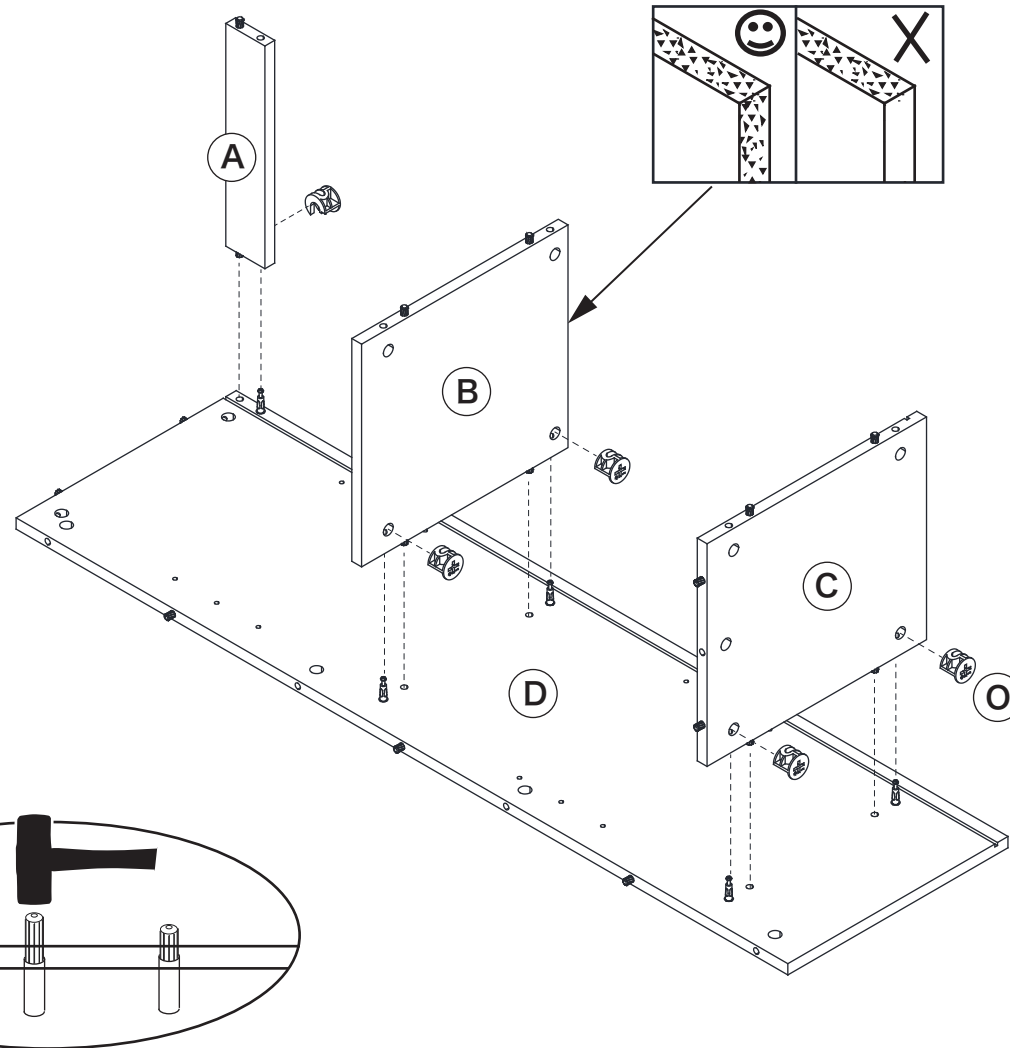


(Ff)
Glue



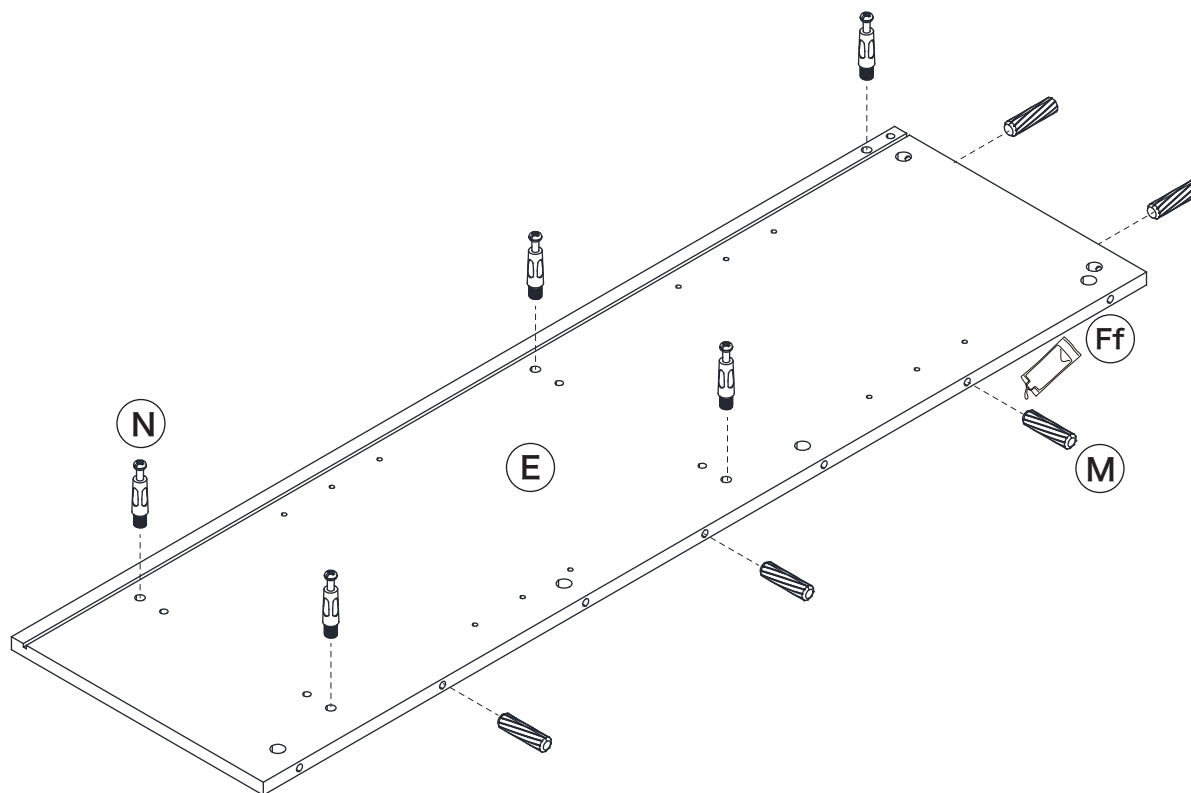
1. Instill the glue (Ff) to the wood dowel hole as image shown.
2. Insert the wood dowel (M) to the part (D).
3. Attach the cam bolt (N) to part (D).

step 3.



1. Instill the glue (Ff) to the wood dowel hole as image shown.
2. Attach part (A), (B) and (C) to part (D), please pay attention to put correct side of part (B).
3. Attach the cam (O) to part (A), (B) and (C) and tighten it.

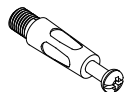
step 4.



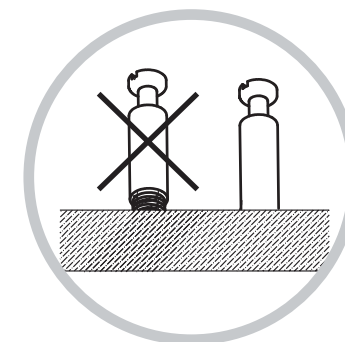
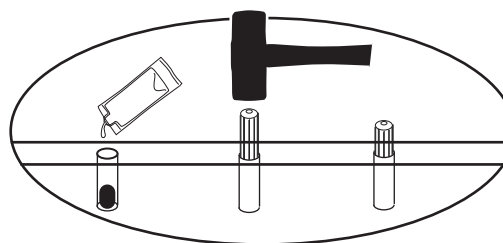
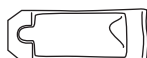
(M) x 5
Wood dowel



(N) x 5
Cam bolt

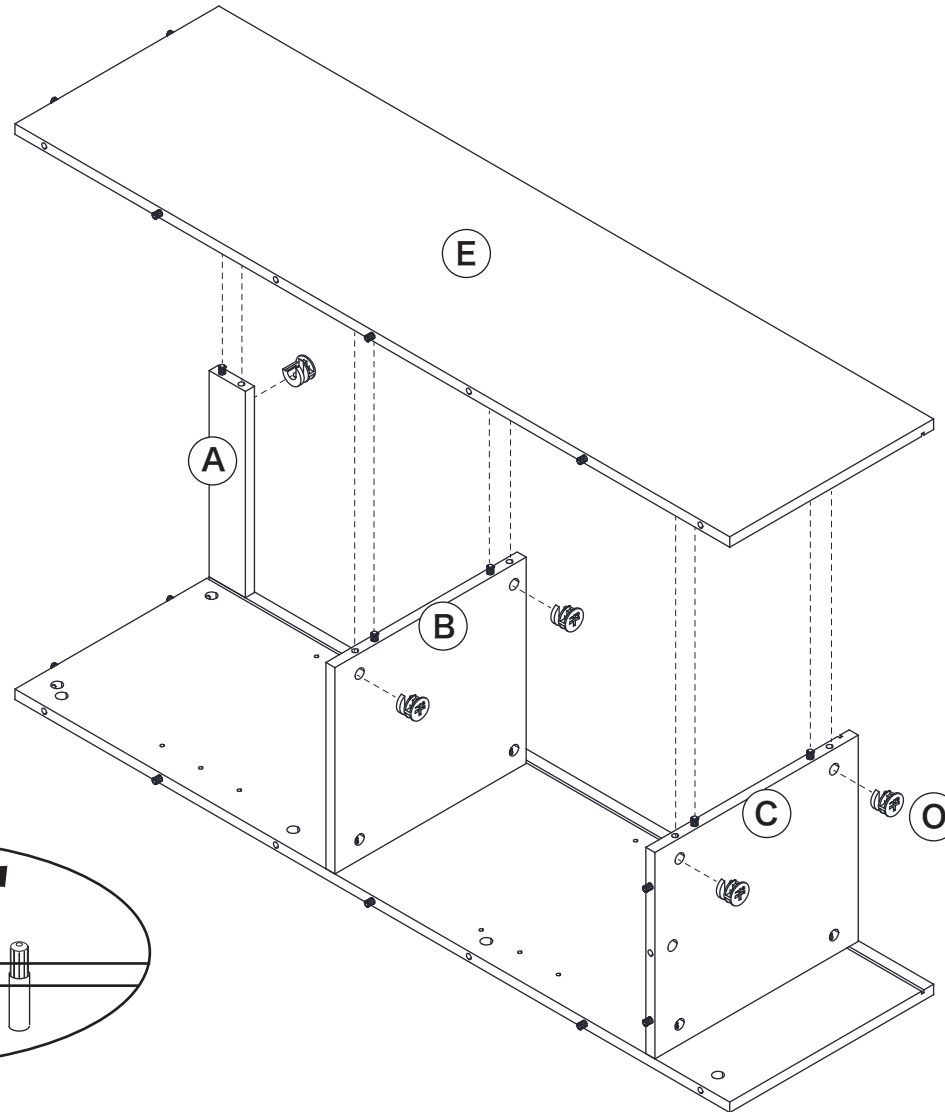


(Ff)
Glue

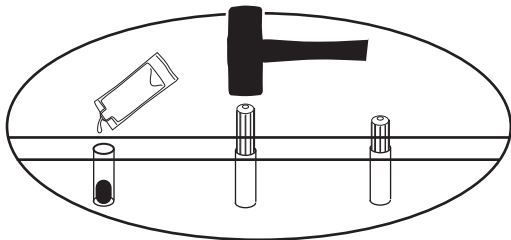


1. Instill the glue (Ff) to the wood dowel hole as image shown.
2. Insert the wood dowel (M) to the part (E).
3. Attach the cam bolt (N) to part (E).

step 5.

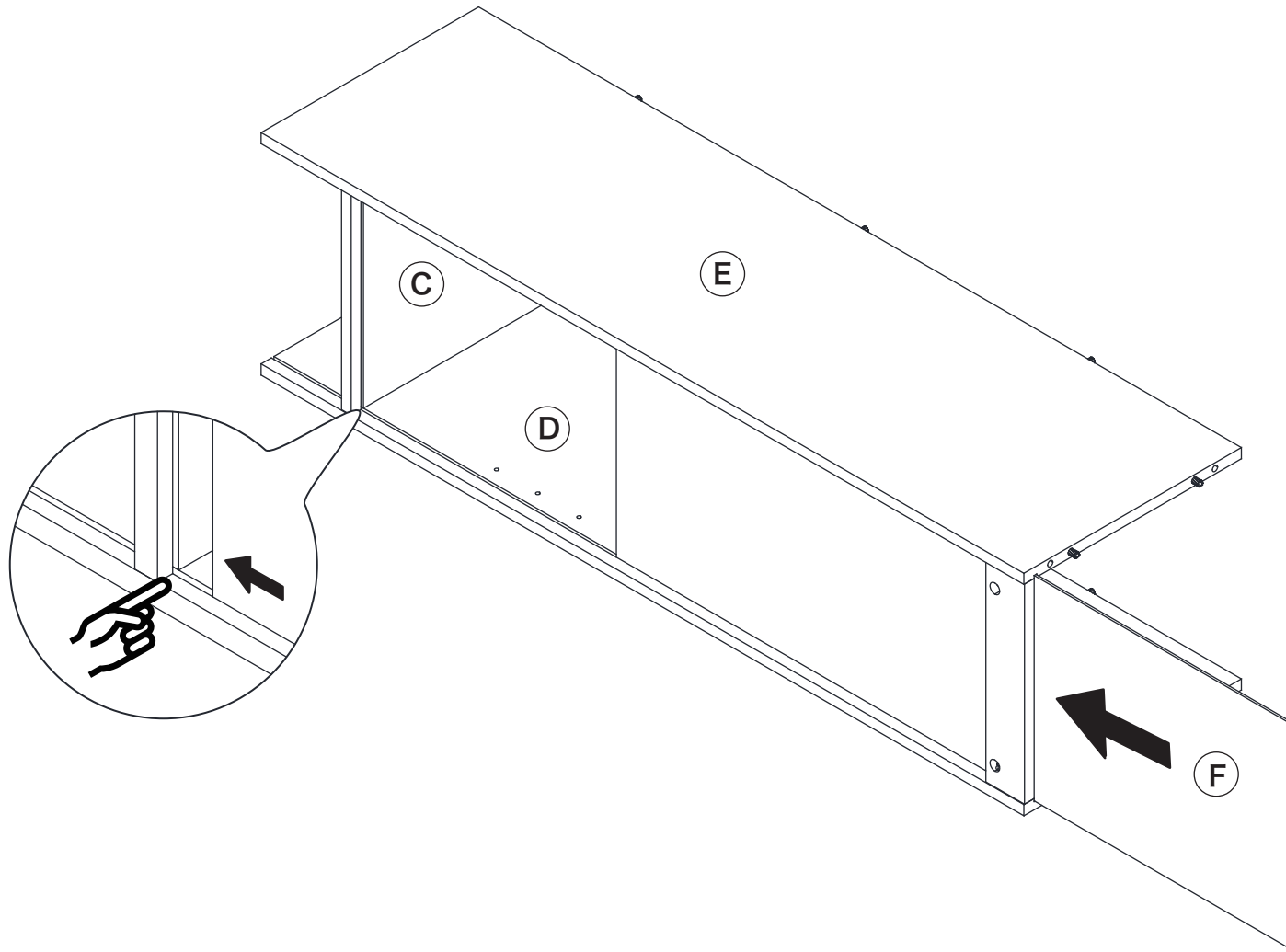


(O) x 5
Cam



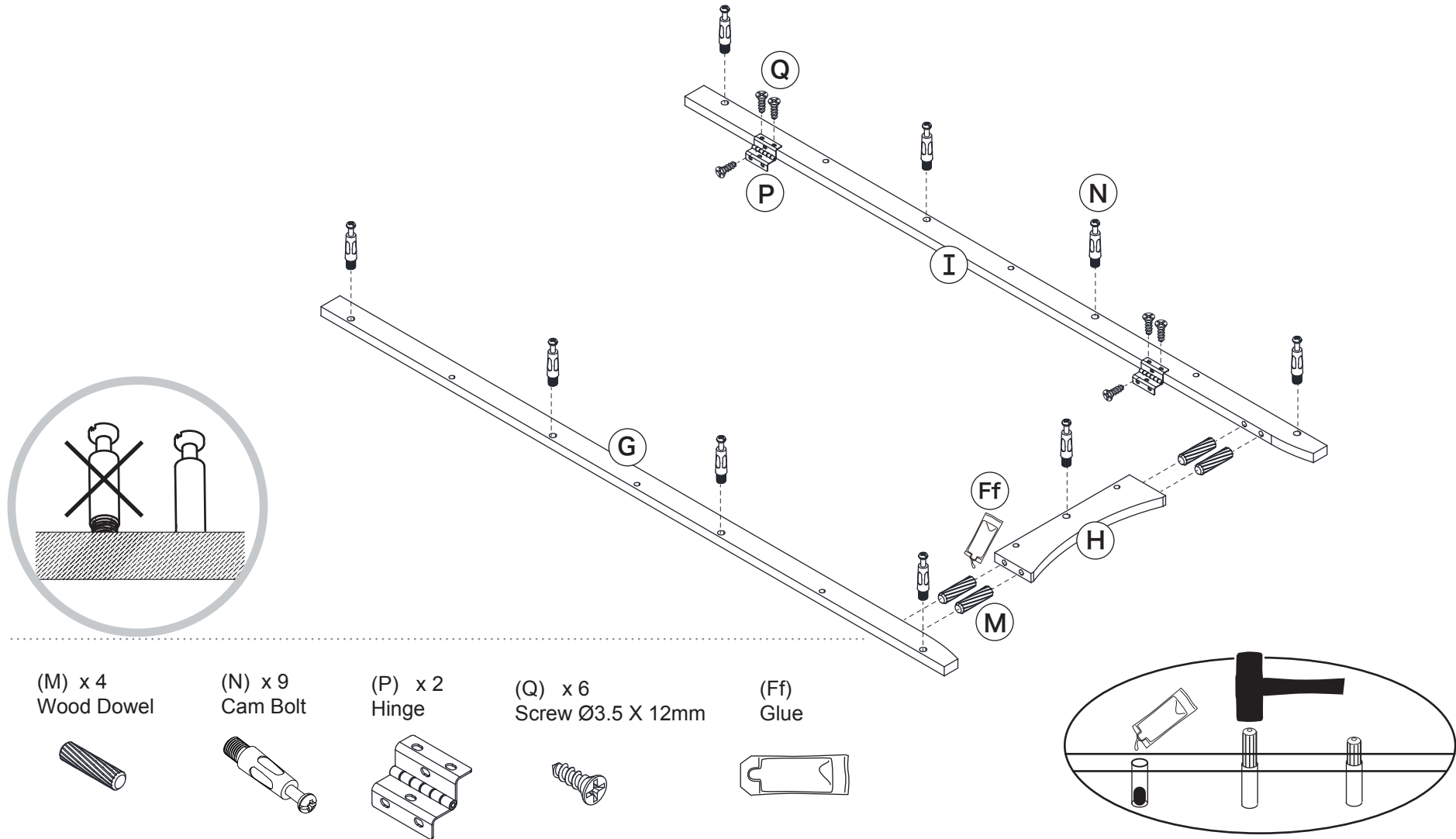
1. Instill the glue (Ff) to the wood dowel hole as image shown.
2. Attach part (A), (B) and (C) to part (E).
3. Attach the cam (O) to part (A), (B) and (C) and tighten it.

step 6.



1. Insert the back panel (F) to the groove of part (D), (E) and (C).

step 7.



(M) x 4
Wood Dowel

(N) x 9
Cam Bolt

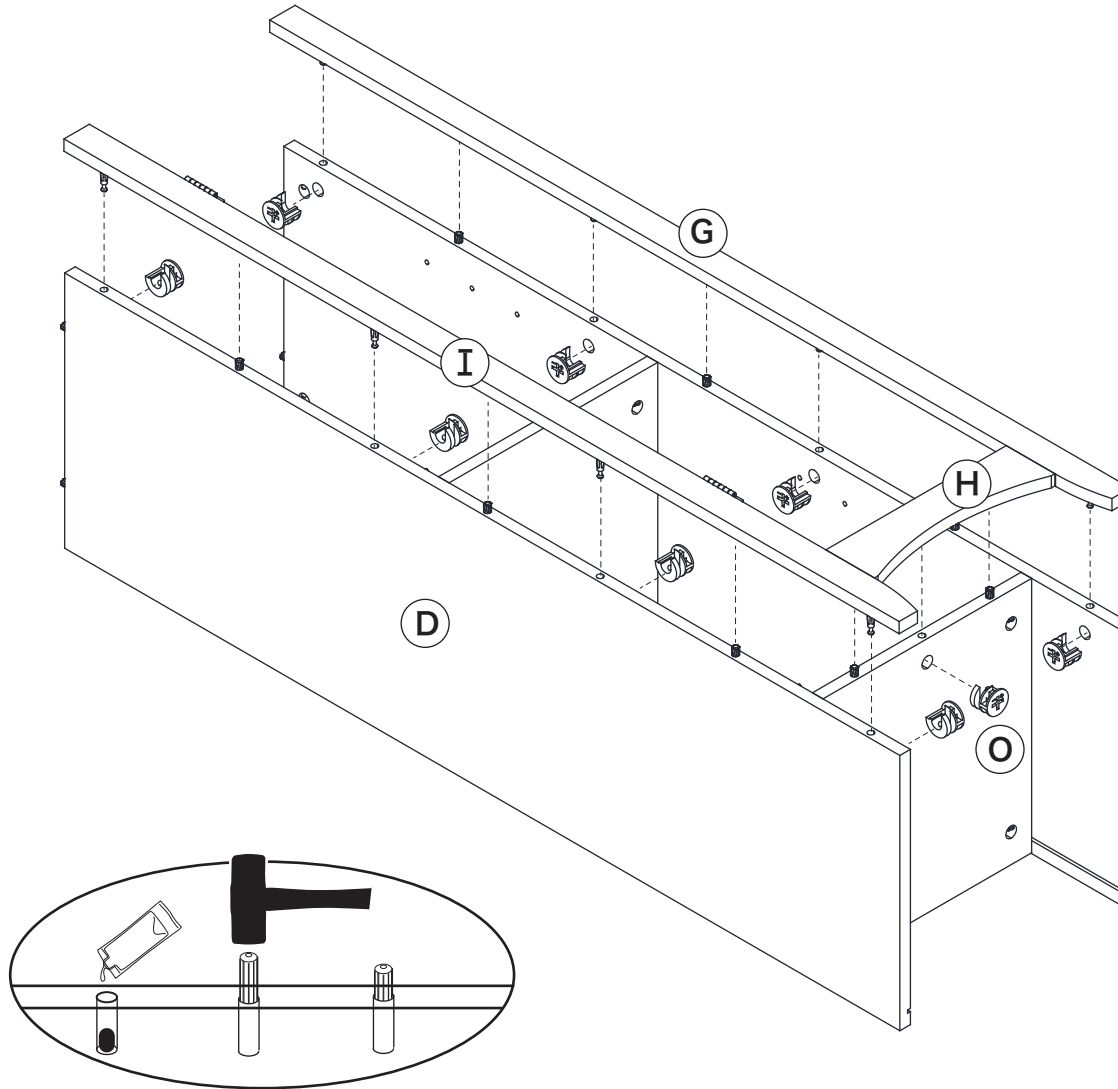
(P) x 2
Hinge

(Q) x 6
Screw Ø3.5 X 12mm

(Ff)
Glue

1. Attach the hinge (P) to the part (I) with screw (Q).
2. Attach cam bolt (N) to the part (G), (H) and (I).
3. Instill the glue (Ff) to the wood dowel hole as image shown.
4. Insert the wood dowel (M) to the part (H).
5. Then attach the part (G), (H) and (I) as image shown.

step 8.

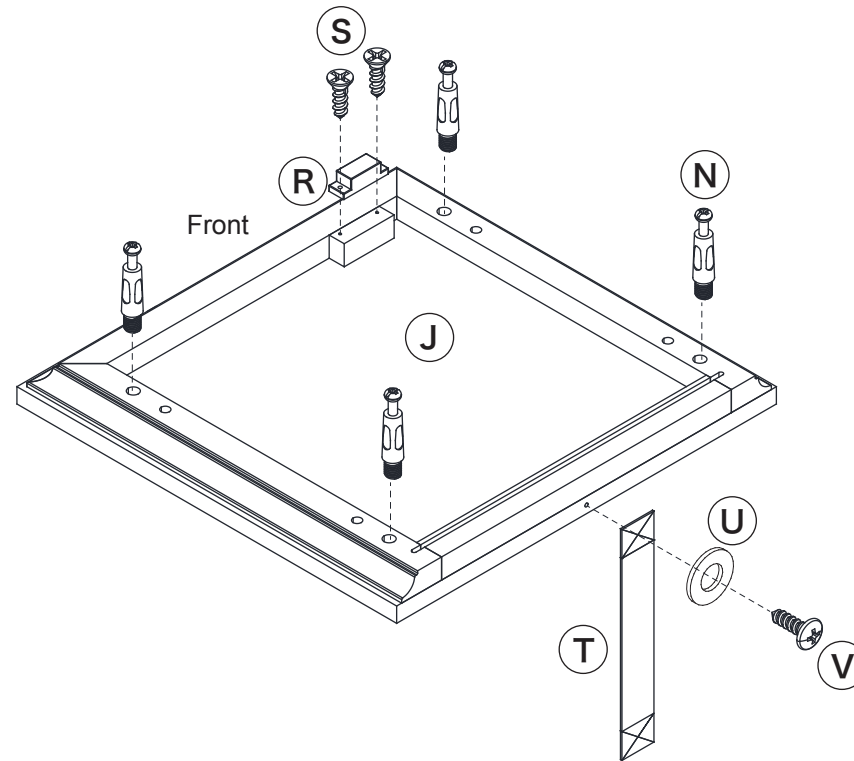


(O) x 9
Cam

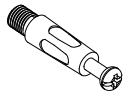


1. Instill the glue (Ff) to the wood dowel hole as image shown.
2. Attach part (G), (H) and (I) to part (C), (D) and (E).
3. Attach the cam (O) to the parts as image shown and tighten it.

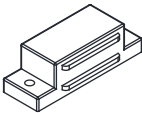
step 9.



(N) x 4
Cam bolt



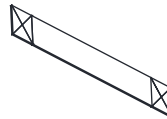
(R) x 1
Magnet



(S) x 2
Screw Ø3 X 16mm



(T) x 1
Fabric strap



(U) x 1
Metal washer

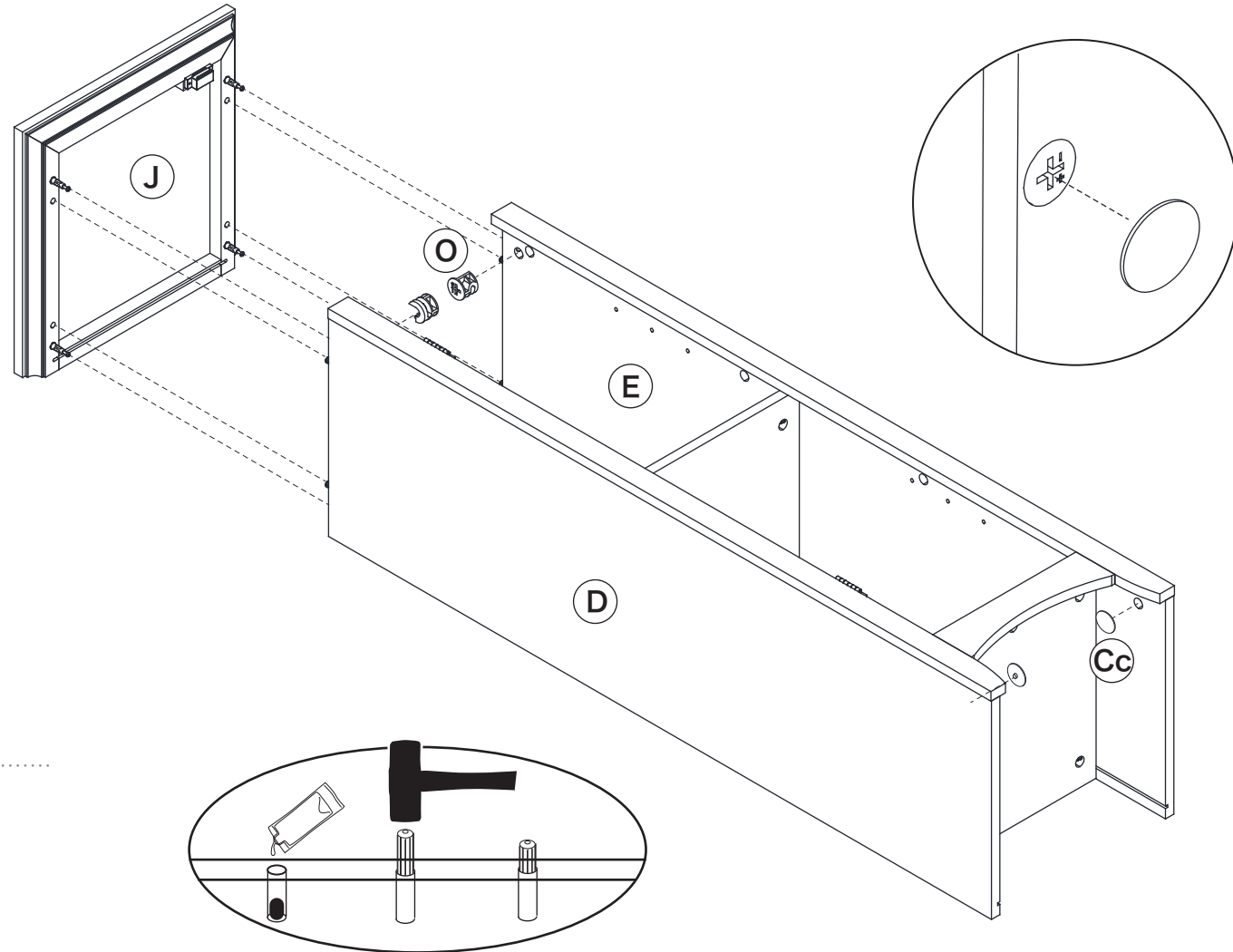


(V) x 1
Screw Ø4 X 14mm



1. Attach the cam bolt (N) to part (J).
2. Attach the magnet (R) to the wood block which is on part (J) using screw (S), attention: please put the magnet face in front of the top (J).
3. Attach the fabric strap (T) and metal washer (U) to part (J) using screw (V).

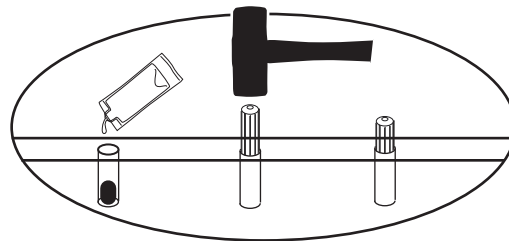
step 10.



(O) x 4
Cam

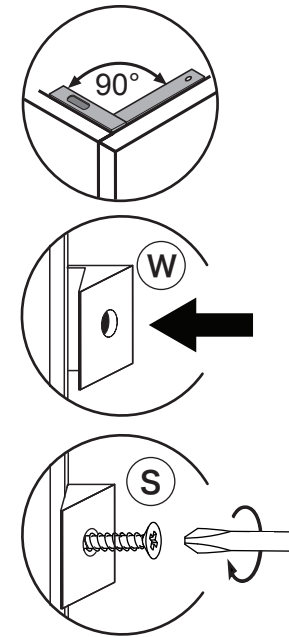
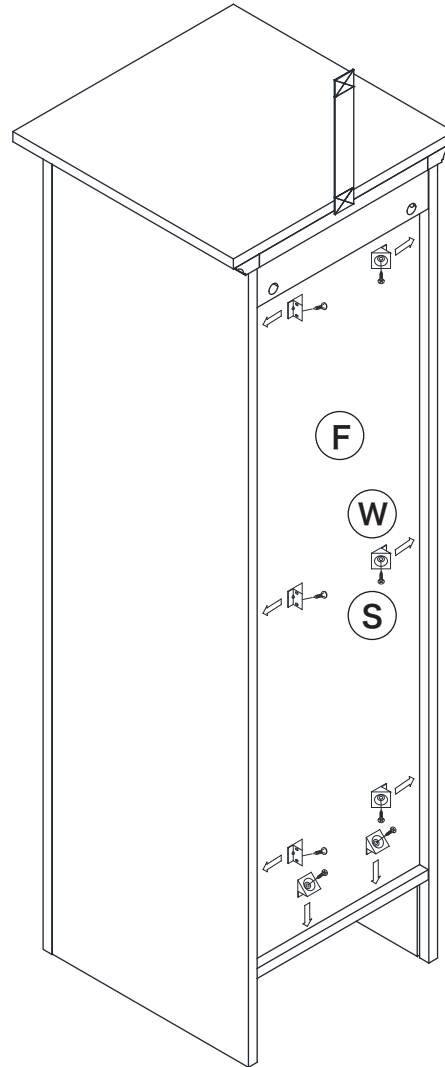


(Cc) x 2
Plastic cover



1. Instill the glue (Ff) to the wood dowel hole as image shown.
2. Attach part (J) to the parts (D) and (E), make sure the back (F) is inserted in the groove.
3. Attach the cam (O) to the parts as image shown and tighten it.
4. Cover the cam holes using plastic cover (Cc).

step 11.



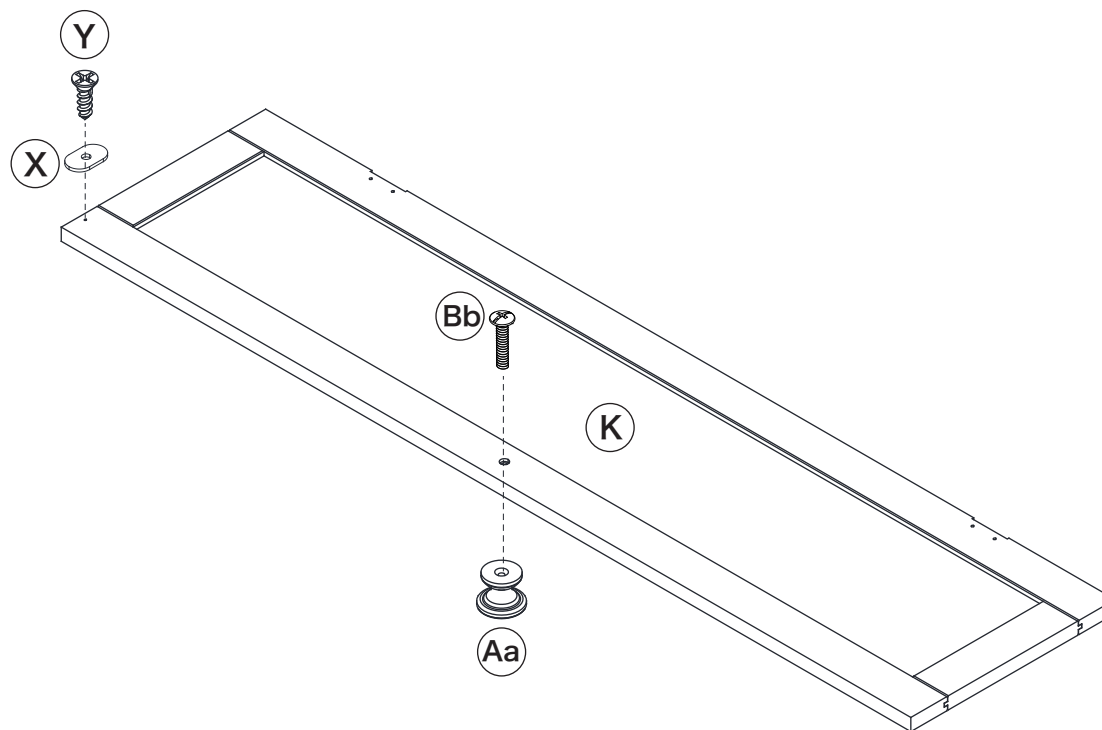
(S) x 8
Screw Ø3 X 16mm

(W) x 8
Plastic connector



1. Attach the plastic connector (W) using screw (S) as image shown.

step 12.



(X) x 1
Metal plate



(Y) x 1
Screw Ø3 X 12mm



(Aa) x 1
Handle

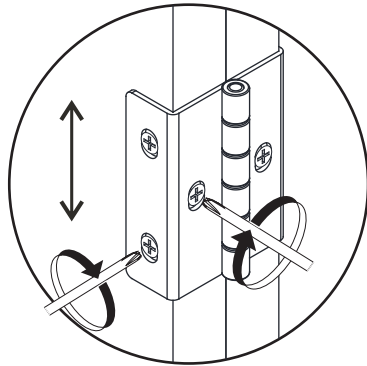


(Bb) x 1
Screw



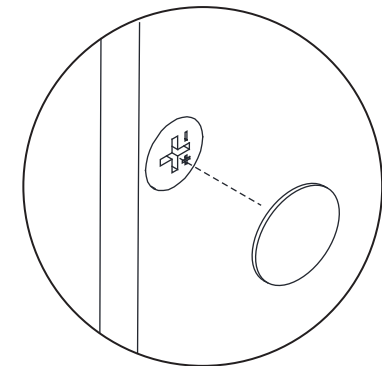
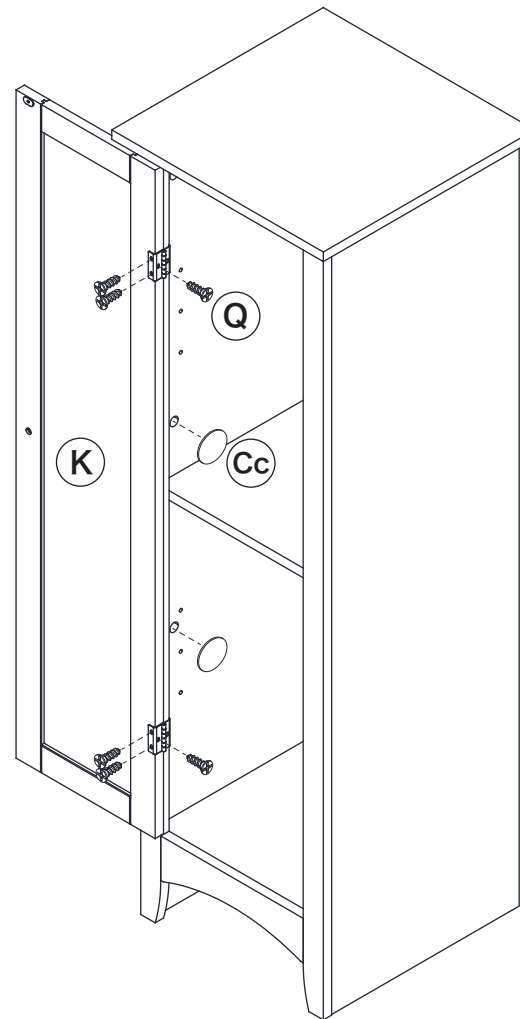
1. Attach the metal plate (X) to part (K) using screw (Y).
2. Attach the handle (Aa) to part (K) using screw (Bb).

step 13.



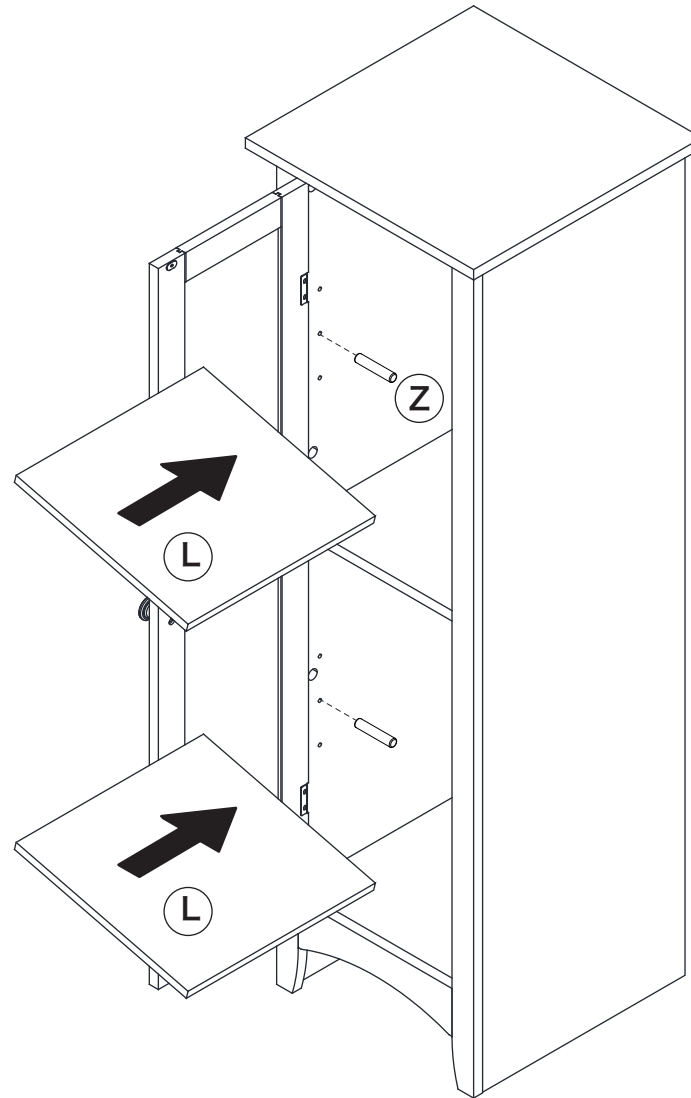
(Q) x 6
Screw Ø3.5 X 12mm

(Cc) x 10
White plastic cover

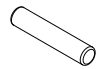


1. Attach part (K) to the body using the hinge (P) and screw (Q).
2. You could make adjustment on the hinge if you found any gap difference on the door as image shown.
3. Cover the cam holes using plastic cover (Cc).

step 14.

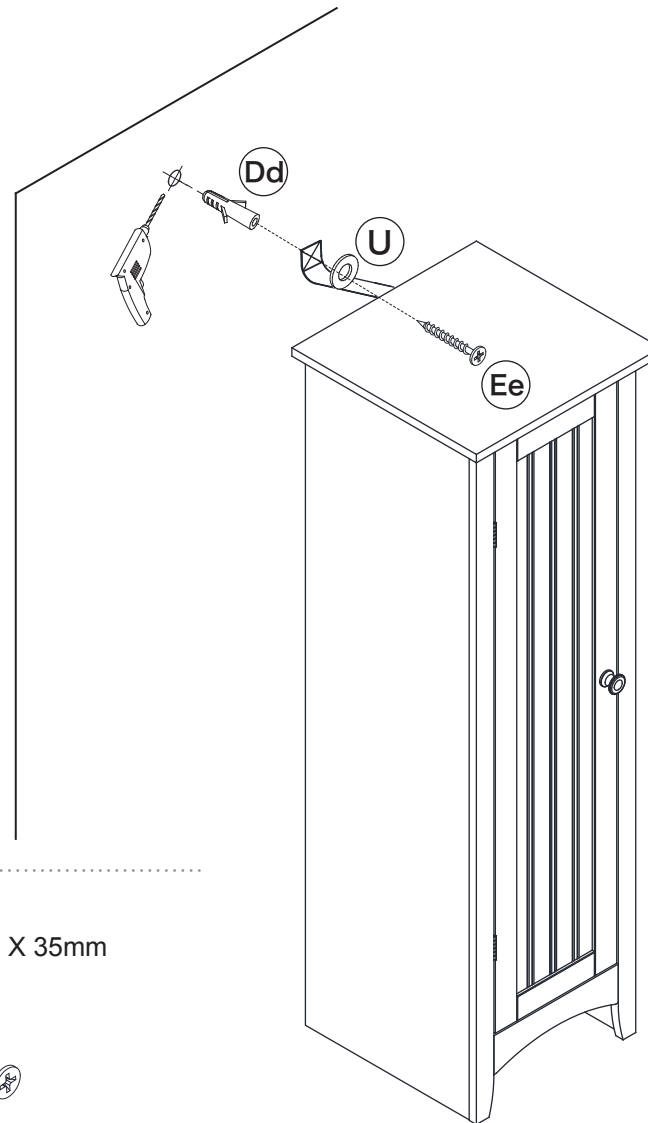


(Z) x 8
Shelf pin

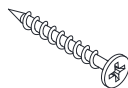


1. Insert the shelf pin (Z) to part (D) and (E).
2. Put the shelf (L) into the the product as image shown.

step 15.



(U) x 1 (Dd) x 1 (Ee) x 1
Metal washer Wall anchor Screw Ø3.8 X 35mm



1. Drilling the hole in the wall using drill Ø6, for better looking, please drill the hole a little lower than the product.
2. Knock the wall anchor (Dd) into the hole.
3. Attach the fabric strap (T) to the wall anchor (U) and screw (Ee).