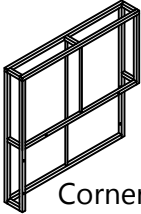
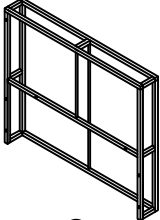
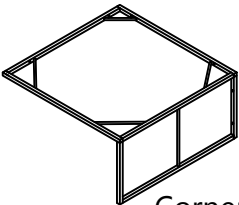
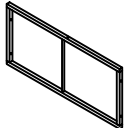
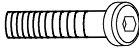
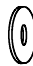




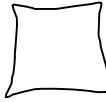
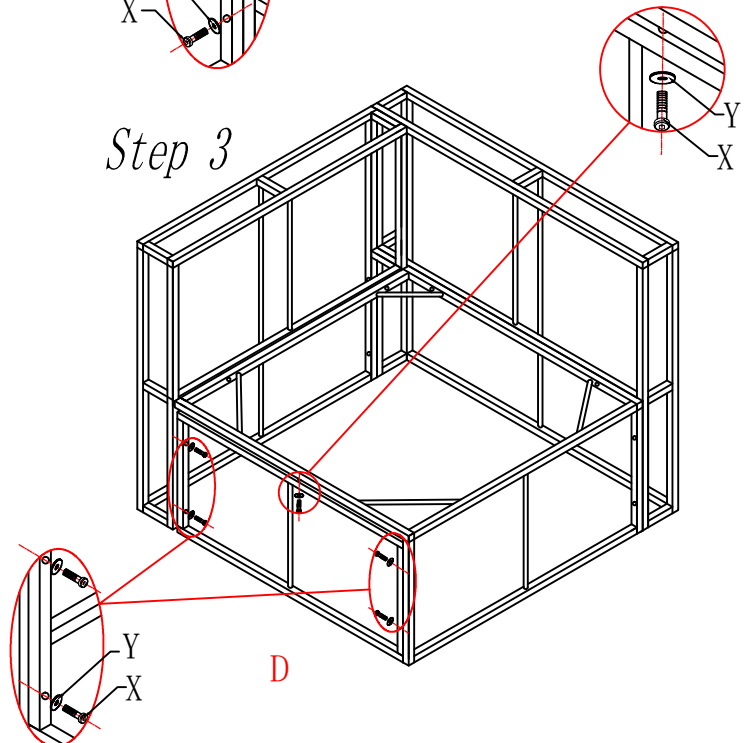
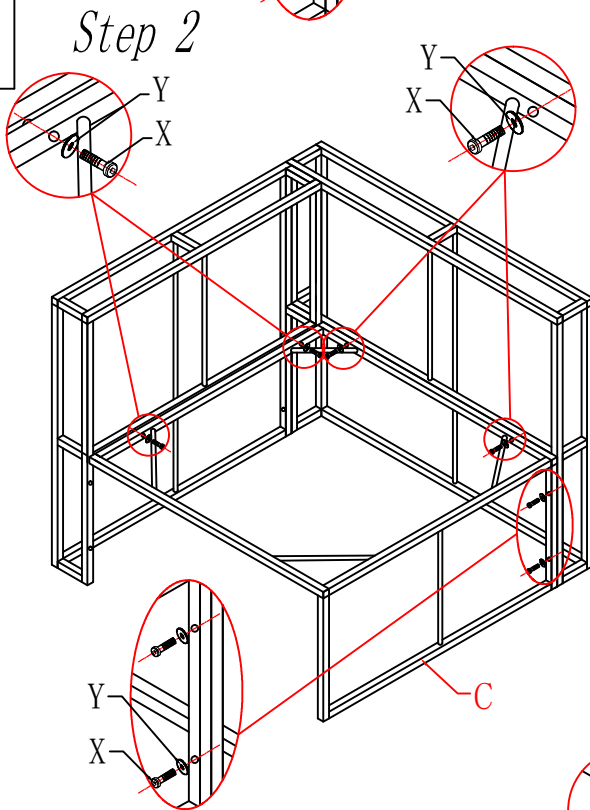
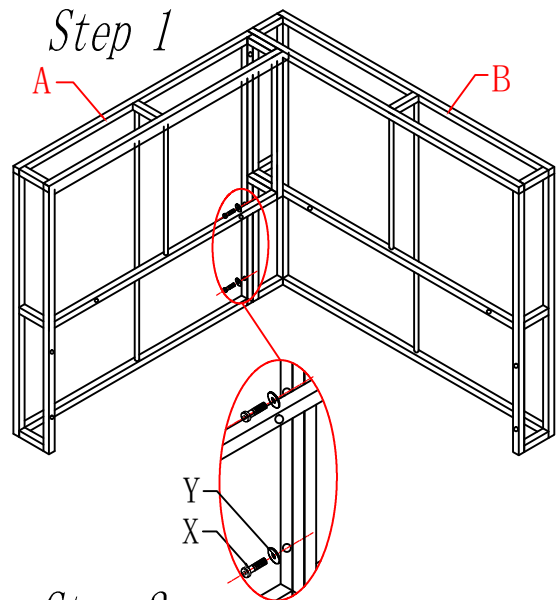


ASSEMBLY INSTRUCTIONS

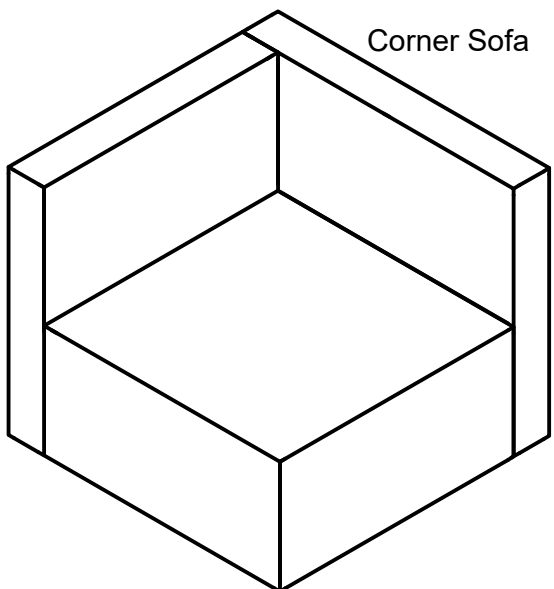
A	 Corner Back	2
B	 Corner Armrest	2
C	 Corner Seat	2
D	 Side Board	2
X	 M6*35	26
Y		26
Z		1

 63*63*8CM	2
 32*63*10CM	2
 32*50*10CM	2
 45*45CM	2



Notice:

1. Remove the sponge from the cushion when washing.
2. Hand wash only. The washing machine and brush harm the fabric.



1

The cushion can be fastened to the rattan with the effective horn button.



2

Open the rattan and fasten the horn button to a chosen position.



3

Attached to a spare tape, the horn button allows the cushion to move freely.



4

Contact us for any further problems concerning the item.

