

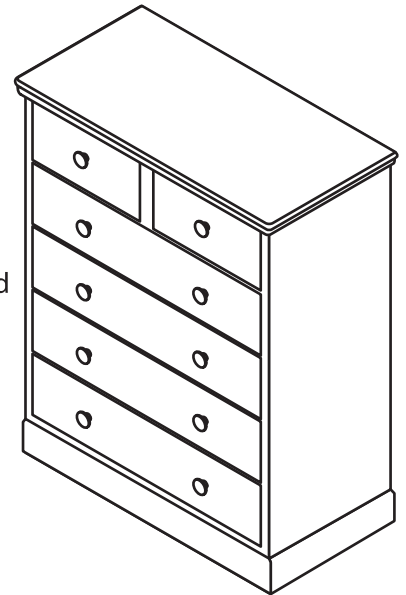
Dresser

Congratulations on the purchase of your Dresser. This dresser has been crafted to the highest standards of quality and safety and will give you many years of enjoyment and practical use.

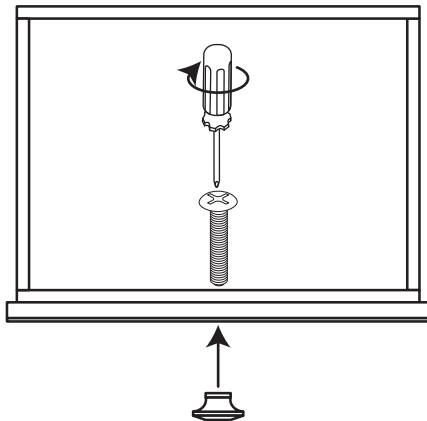
Since this dresser is a natural wood product, there will be variations in color and grain, and minor checking may occur. This is normal and does not compromise the integrity of your dresser. In fact, variation in character of solid hardwood is integral to the beauty and appeal of hardwood furniture, and distinguishes it from prefabricated, synthetic and composite materials.

On this insert you will find a list of the hardware and parts included, as well as detailed assembly instructions. Assembly is quite simple, and requires only a Phillips head screwdriver. Assembly will be most easily accomplished if you take the time to carefully sort the hardware and familiarize yourself with the function of each piece.

If you need assistance with assembly, part replacement, or any other matter, please contact the toll-free Customer Service Team. You may also email your request or comments and a customer service representative will respond.



Thank you and Enjoy



Do not turn the handle to tighten or loosen the screw. Doing so will cause the handle to scratch the front of the drawer. Using a Phillips head screwdriver, remove the handle screw and install the handle on the front of the drawer. An extra metal drawer knob is included.

HARDWARE & PART LIST

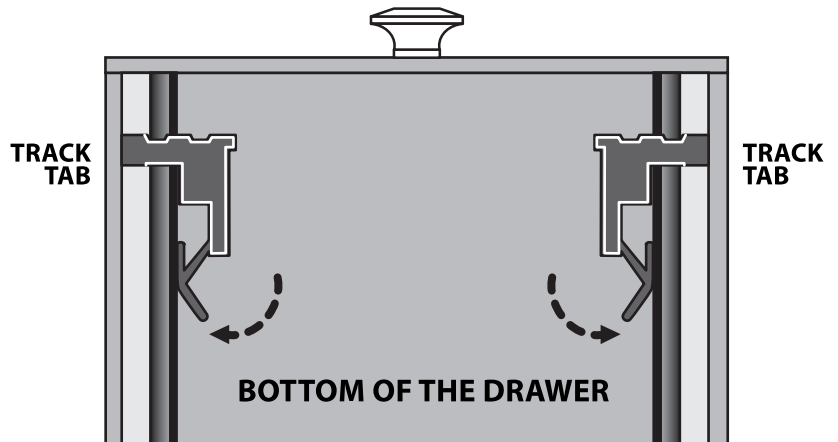


10 **Metal drawer knobs**

10 **Panhead machine screws**

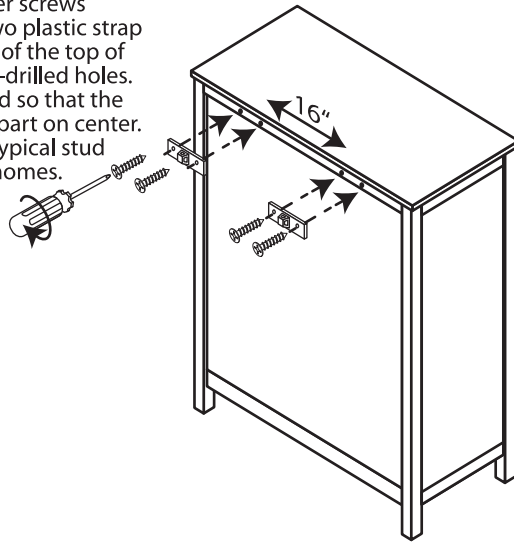


If you find you need to remove a drawer, push and hold the track tabs outward and pull the drawer out the rest of the way.

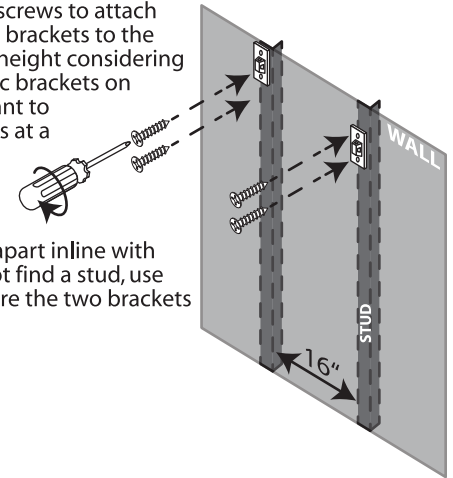


Anti-tip over straps installation guide

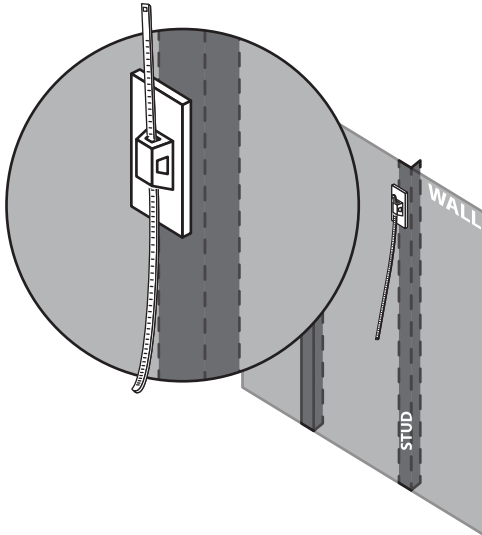
- 1) Use four of the shorter screws provided to attach two plastic strap brackets to each end of the top of dresser using the pre-drilled holes. These holes are drilled so that the brackets will be 16" apart on center. This corresponds to typical stud placements in most homes.



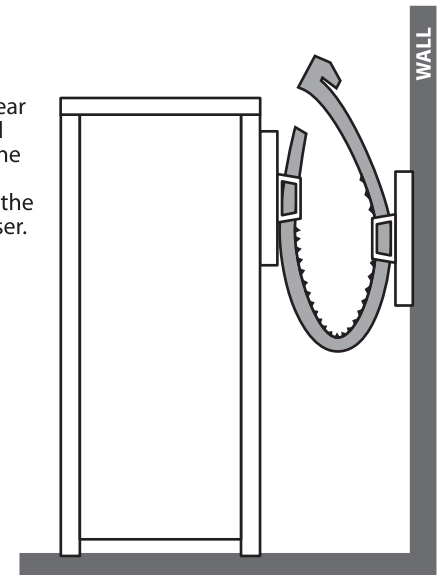
- 2) Use four of the longer screws to attach two of the plastic strap brackets to the wall at an appropriate height considering the height of the plastic brackets on the dresser. You will want to attach the wall brackets at a height equal to or less than the height of the plastic brackets on the bookcase. Brackets should be located 16" apart inline with wall studs. If you cannot find a stud, use dry wall screws to secure the two brackets to the wall 16" apart.



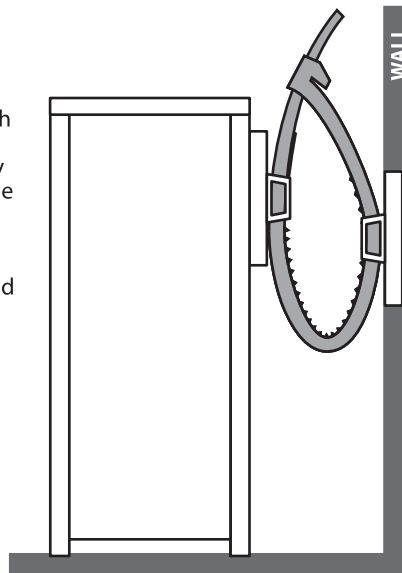
- 3) Slide the plastic straps through both wall brackets. The plastic straps should be arranged so that the bumpy side is facing away from the wall and the receiving heads are up.



- 4) Move your dresser near the wall brackets and slide the bottom of the straps in the wall brackets up through the brackets on the dresser.



- 5) Secure the dresser by pulling each strap back through itself into the head of the strap until the bumpy portion engages the head. Test the latching action of the strap by tugging on it to verify that it is "locked" in place. To release the strap, simply push on the lever and pull the strap off.



Please note:

These straps are provided as a courtesy; keep in mind that these straps will help reduce the risk of dresser tip-over but will not eliminate that risk.