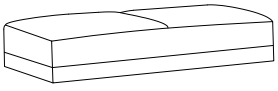

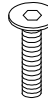
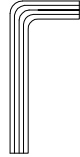
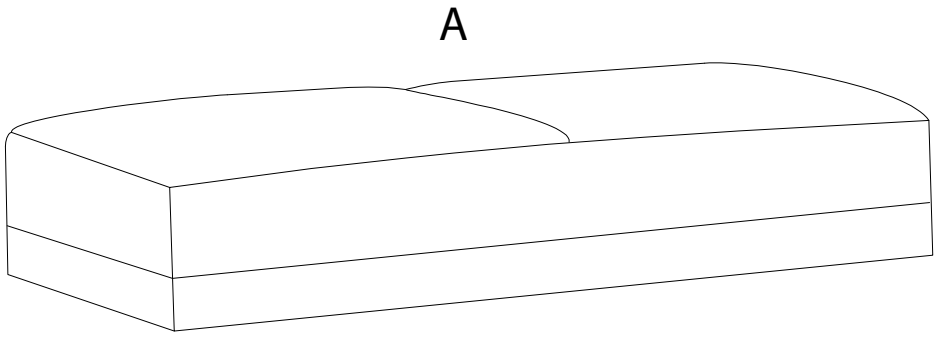
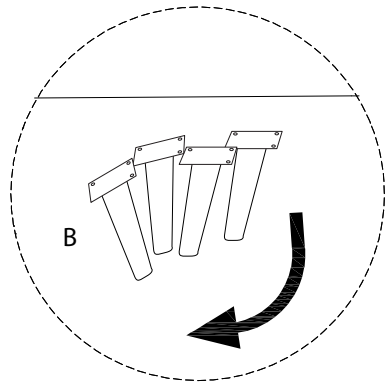
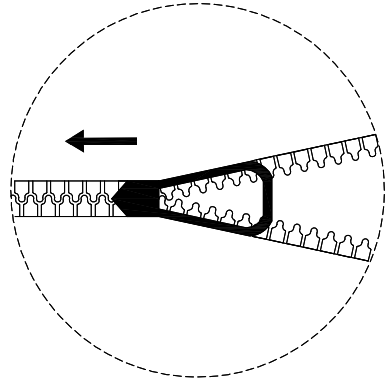
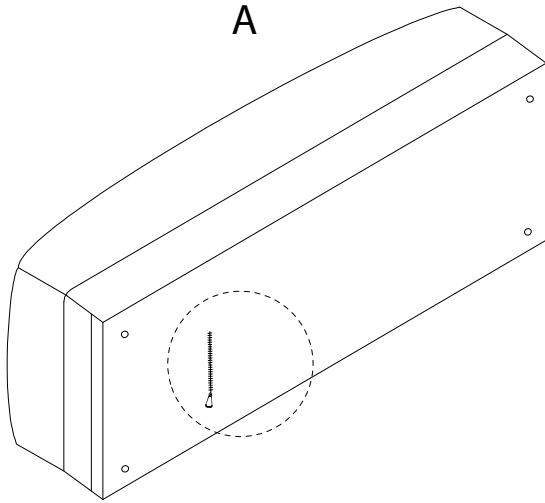

		10'
		1

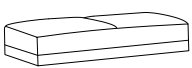

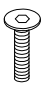
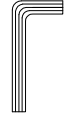
A	B	C	D
		 M5 x 20	
x 1	x 4	x 16	x 1



!



1

<p>A</p>  <p>x 1</p>	<p>B</p>  <p>x 4</p>	<p>C</p>  <p>M5 x 20</p> <p>x 16</p>	<p>D</p>  <p>x 1</p>
---	---	--	---

