

Plug in Pendant Light Installation Guide

BEFORE YOU BEGIN

Please read these instructions completely and carefully.

Note:

All lights were carefully inspected and tested before packing, but accidents may happen during loading, unloading or shipping. But don't worry, we will send a replacement or issue a refund in case the light is defective or stop working within 90 days after receiving.

Millions of other shoppers and we will all appreciate your time and kindness.

Specifications

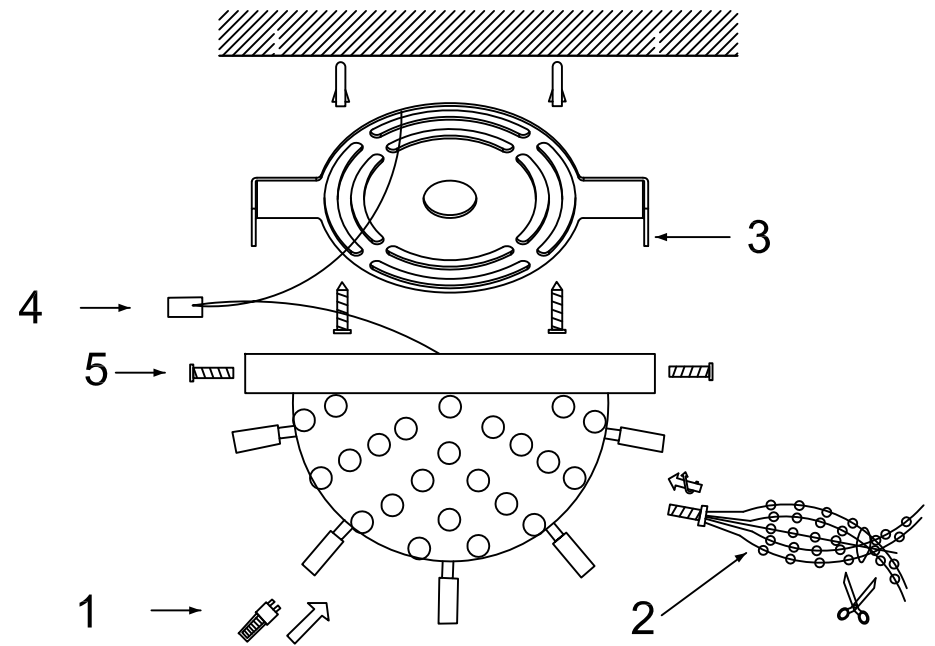
Working Voltage	110-120V
Max. Wattage	MAX 6*40W
Base Type	G9
Suggested Bulb	Incandescent, Halogen, Dimmable LED Bulb
Certification	Wire, switch, plug with UL certification
Warranty	2 Years

Package List

- 1 x lamp
- 1 x 36pcs crystal string
- 1 x accessories bag

Cautions

- Carefully unpack your new fixture and lay out all the parts on a clear area. Take care not to lose any small parts necessary for installation.
- We recommend to wear gloves during installation to avoid fingerprints or your finger being hurt.
- unplug or shut off power when you screw a light bulb or change a light bulb.
- Do not look at the bulb directly for a long time or touch it when the bulb is power-on.
- In order to protect the light bulb and switch, please do not turn the dimmer switch frequently or too fast.



Installation Step

- Insert the bulb.
- Screw the crystal wire into the lamp body and cut off the nylon cable tie.
- Secure the Bracket: Mount the bracket onto the junction box by tightening the 2 screws, (You can also drill 2 holes and then insert anchors before mounting the bracket if there is no junction box.)
- Connect Live Wire, Neutral Wire, Earth Wire to the terminal.
- Shift up the lighting bell covering hanging board, then locked with screws.

Notice: It's simple to install, but you need a drill. So, you may need a professional electrician to help you out.

Normal Trouble Shooting

The light bulb flickers constantly, what can I do?

- Please check whether the bulb you are using is a **dimmer** one. Regular LED bulbs are not compatible with the dimmer switch. Besides, incandescent and halogen bulb is the best recommendation to fit well. (6*40W max.)
 - Check if the copper sheet inside the bulb holder is loose.
- If it's not the reason above, just feel free to contact us for a replacement.

My lamp does not work when I first use, what can I do?

- Please check whether the lamp is really powered on and the switch is on.
 - Please make sure the light bulb you are using is the good one.
 - Please check whether the copper pieces inside the bulb socket stay well.
- None of these 3 steps? Just feel free to contact us for a replacement.

My lamp misses parts / is defective / has broken parts, what can I do?

Please contact us directly. We have spare parts in US warehouse. Necessary parts or a whole replacement will be shipped in 24 hours as soon as we being noticed.