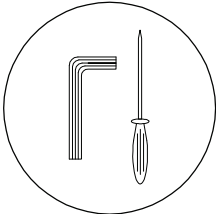
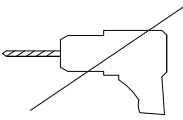

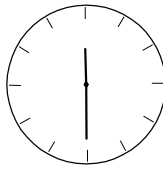
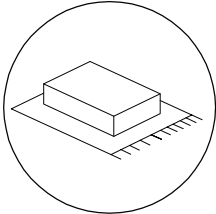
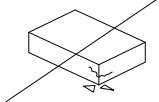
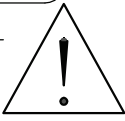
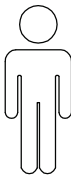
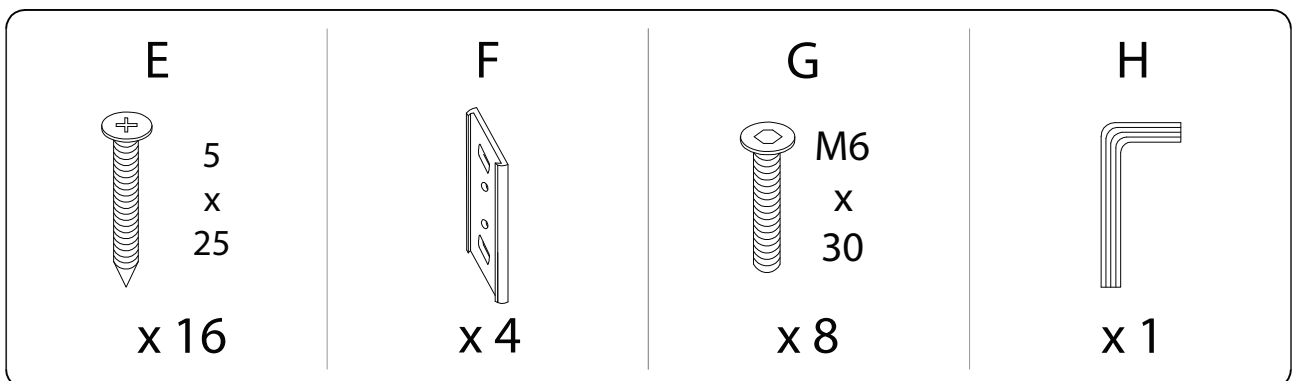
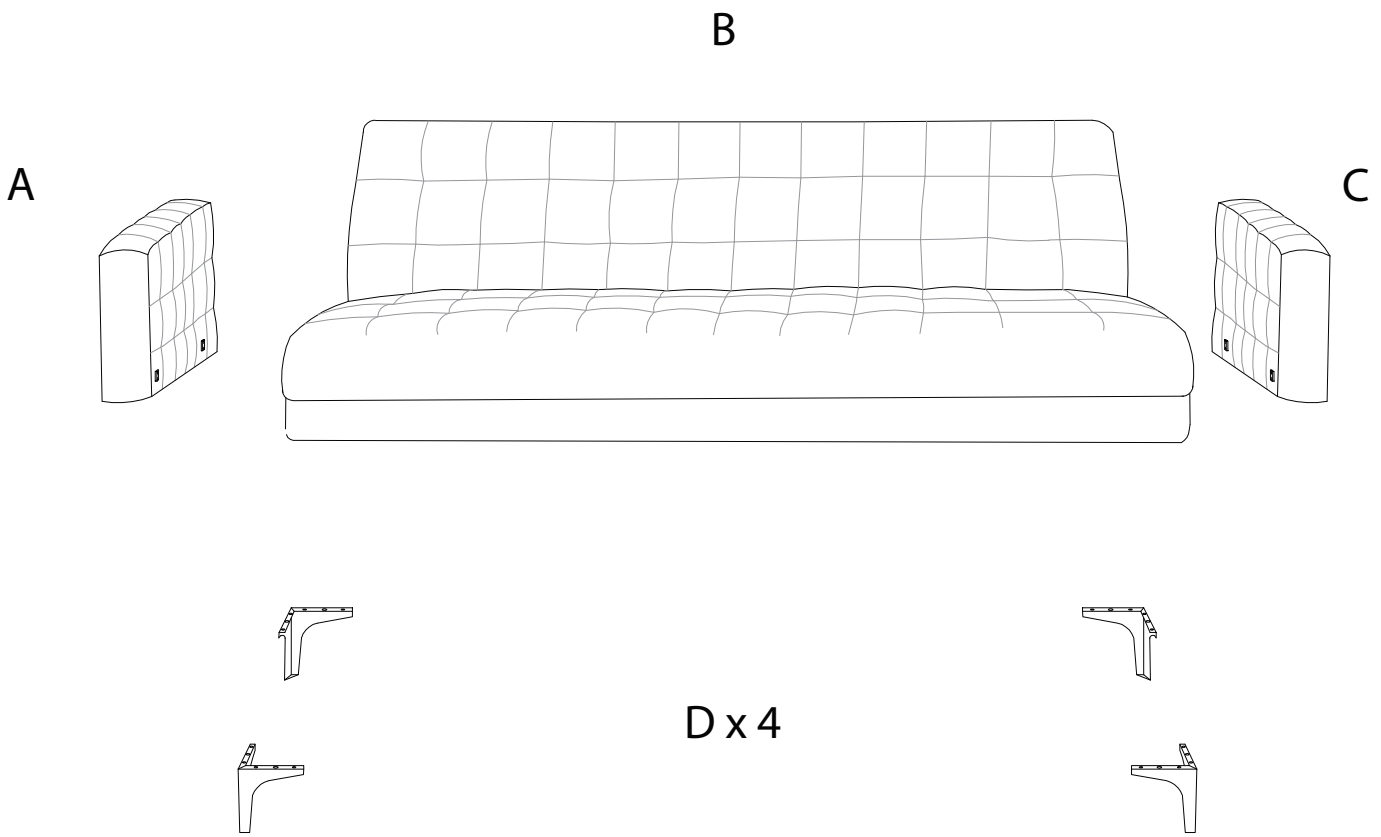
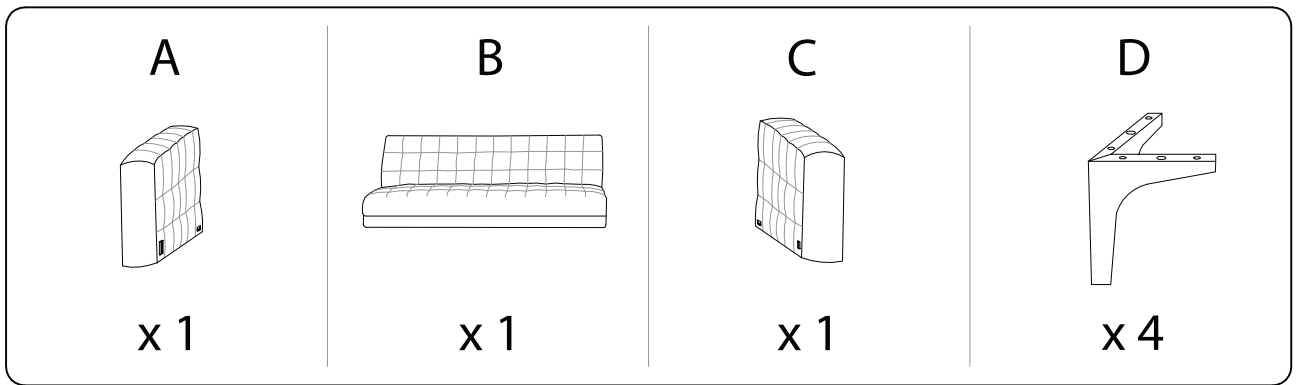
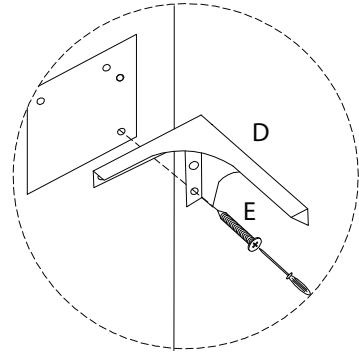
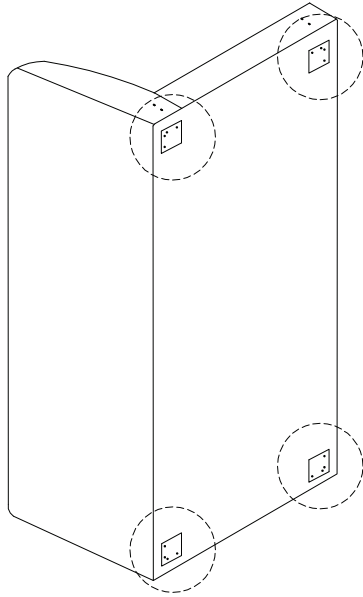
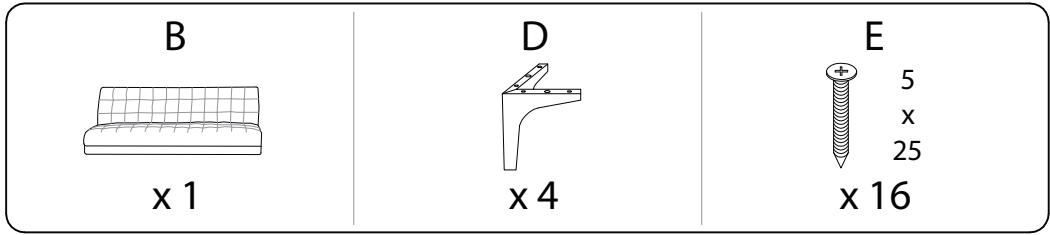


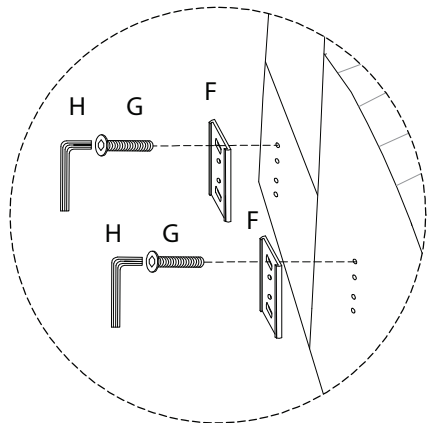
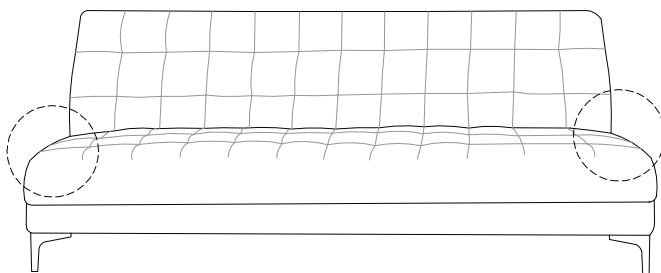
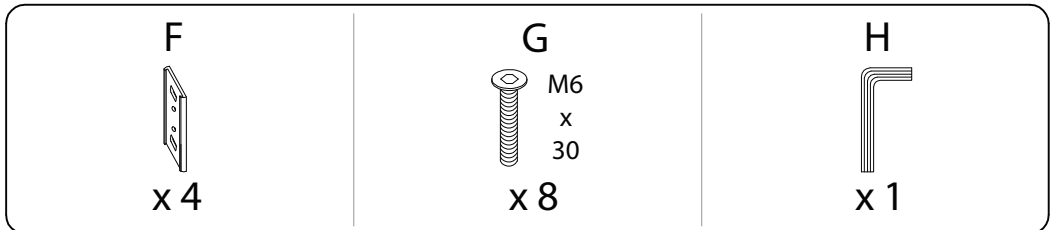
| | | |
|---|---|---|
|   |  |  |
| | | <p>30'</p> |
|   |  |  |
| | | <p>2</p> |



1



2



3

A



x 1

C



x 1

