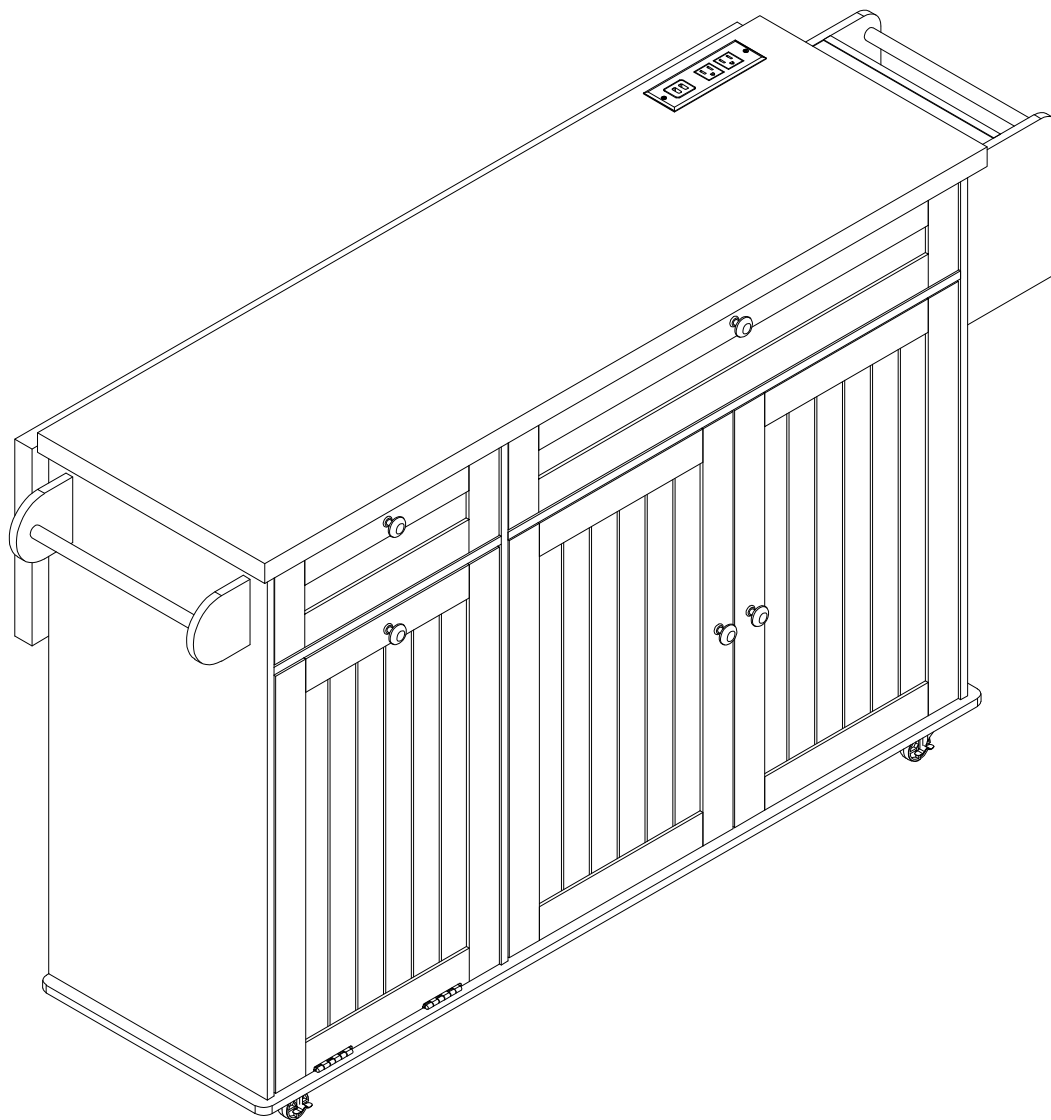


60 INCH 3 DOORS MOBILE KITCHEN STORAGE ISLANDS

Assembly Instruction



ONBRILL

INTRODUCTION

Thank you for purchasing our products. Please read the instructions carefully before installation and keep it in a safe place for future reference. If you need any assistance or support, please feel free to contact our customer support team.

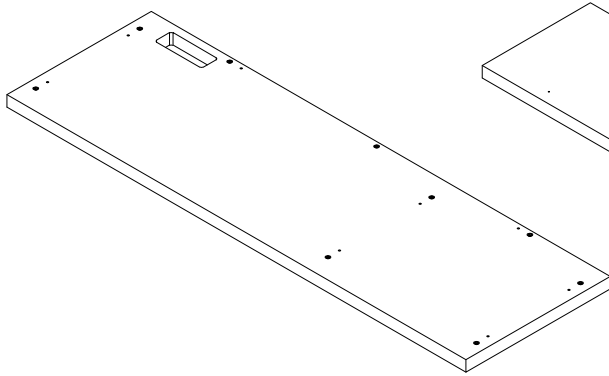
PRECAUTIONS

1. There are many components and accessories in the package. Each component and accessory is labeled with a letter of a number, check carefully before using any of them. keep them prevent accidents.
2. Please install the product on a clean and soft underlay (such as carpet or cardboard) to avoid scatching or damaging the surface of the product.
3. The main components of the product are relatively heavy. Please pay attention to safety during installation.
4. The product is not stable during installation. Please do not move it randomly before it is completely installed.
5. If you have any questions during installation, please contact the customer service in time.

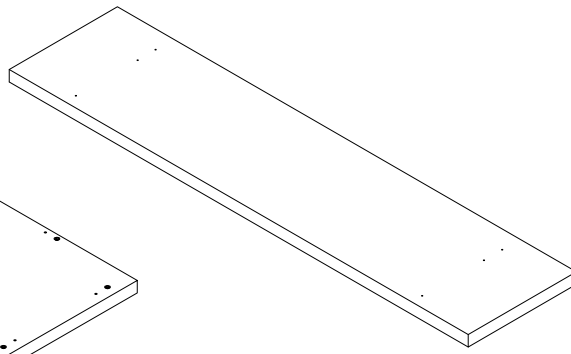
* PLEASE BE SURE TO FOLLOW THE INSTALLATION STEPS IN THE MANUAL TO AVOID UNNECESSARY LOSSES CAUSED BY IMPROPER INSTALLATION.

* IF YOU NEED FURTHER ASSISTANCE, PLEASE CONTACT OUR CUSTOMER SERVICE ONLINE.

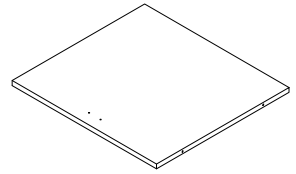
PARTS LIST



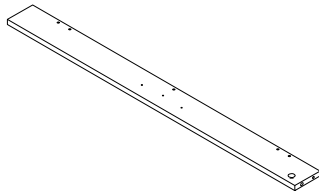
① x1PC



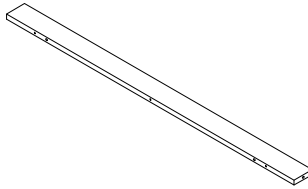
② x1PC



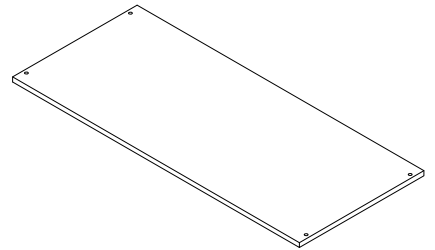
③ x1PC



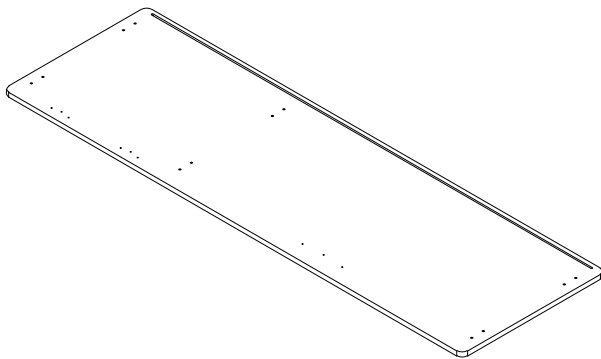
④ x1PC



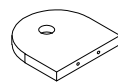
⑤ x1PC



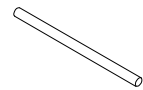
⑥ x2PCS



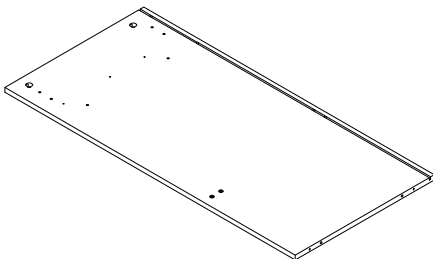
⑦ x1PC



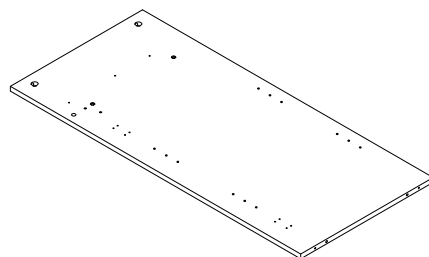
⑧ x2PCS



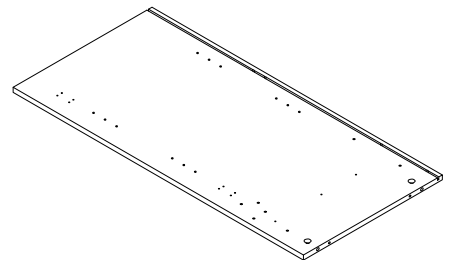
⑨ x3PCS



⑩ x1PC

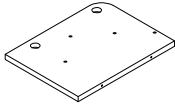


⑪ x1PC

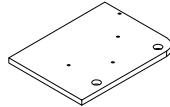


⑫ x1PC

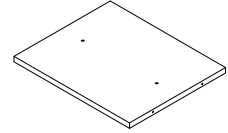
PARTS LIST



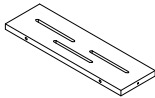
⑬ x1PC



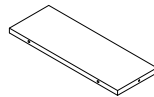
⑭ x1PC



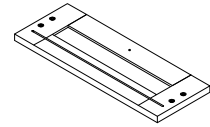
⑮ x1PC



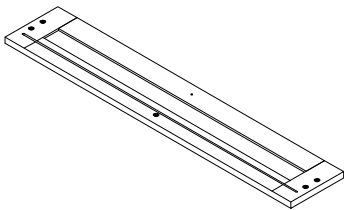
⑯ x1PC



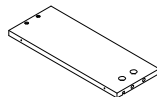
⑰ x1PC



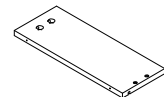
⑱ x1PC



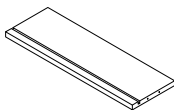
⑲ x1PC



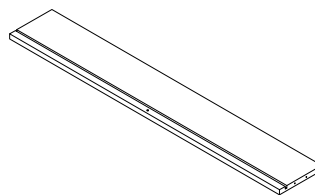
⑳ x2PCS



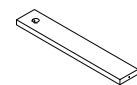
㉑ x2PCS



㉒ x1PC

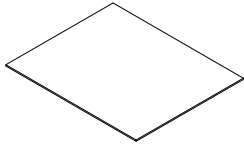


㉓ x1PC

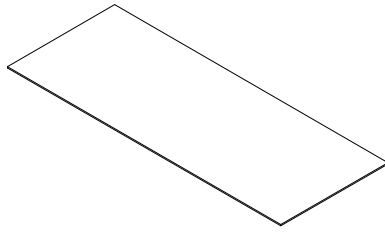


㉔ x2PCP

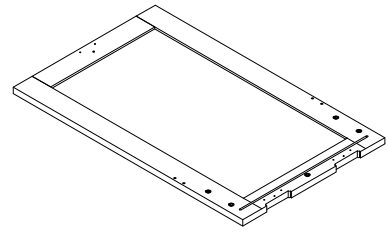
PARTS LIST



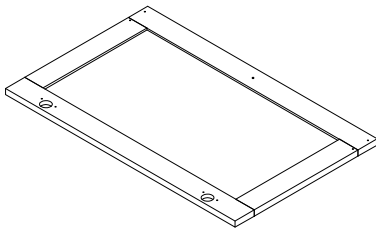
25 x1PC



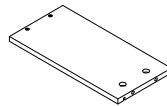
26 x1PC



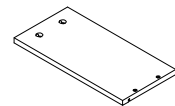
27 x1PC



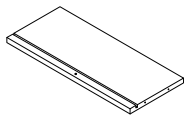
28 x2PCS



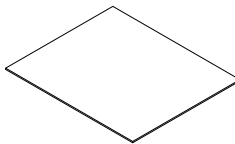
29 x1PC



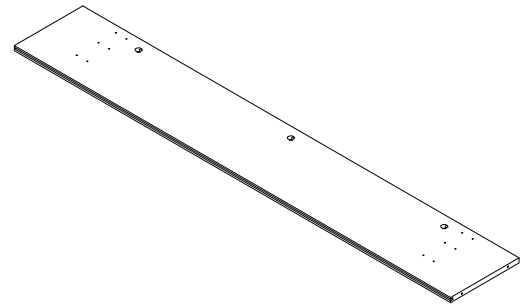
30 x1PC



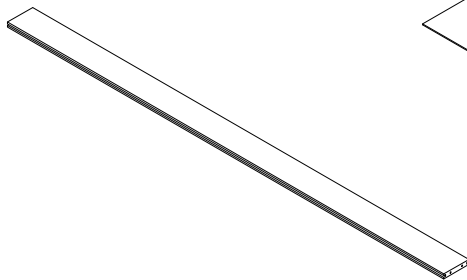
31 x1PC



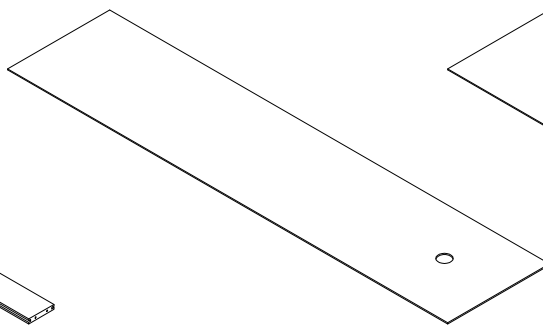
32 x1PC



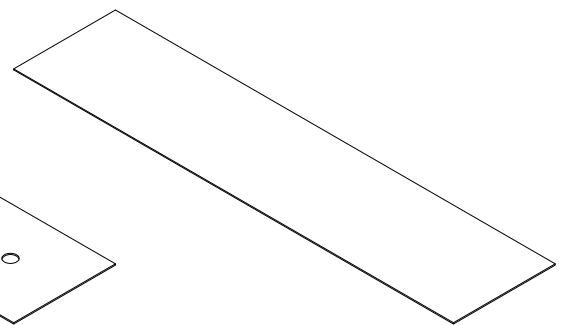
33 x1PC



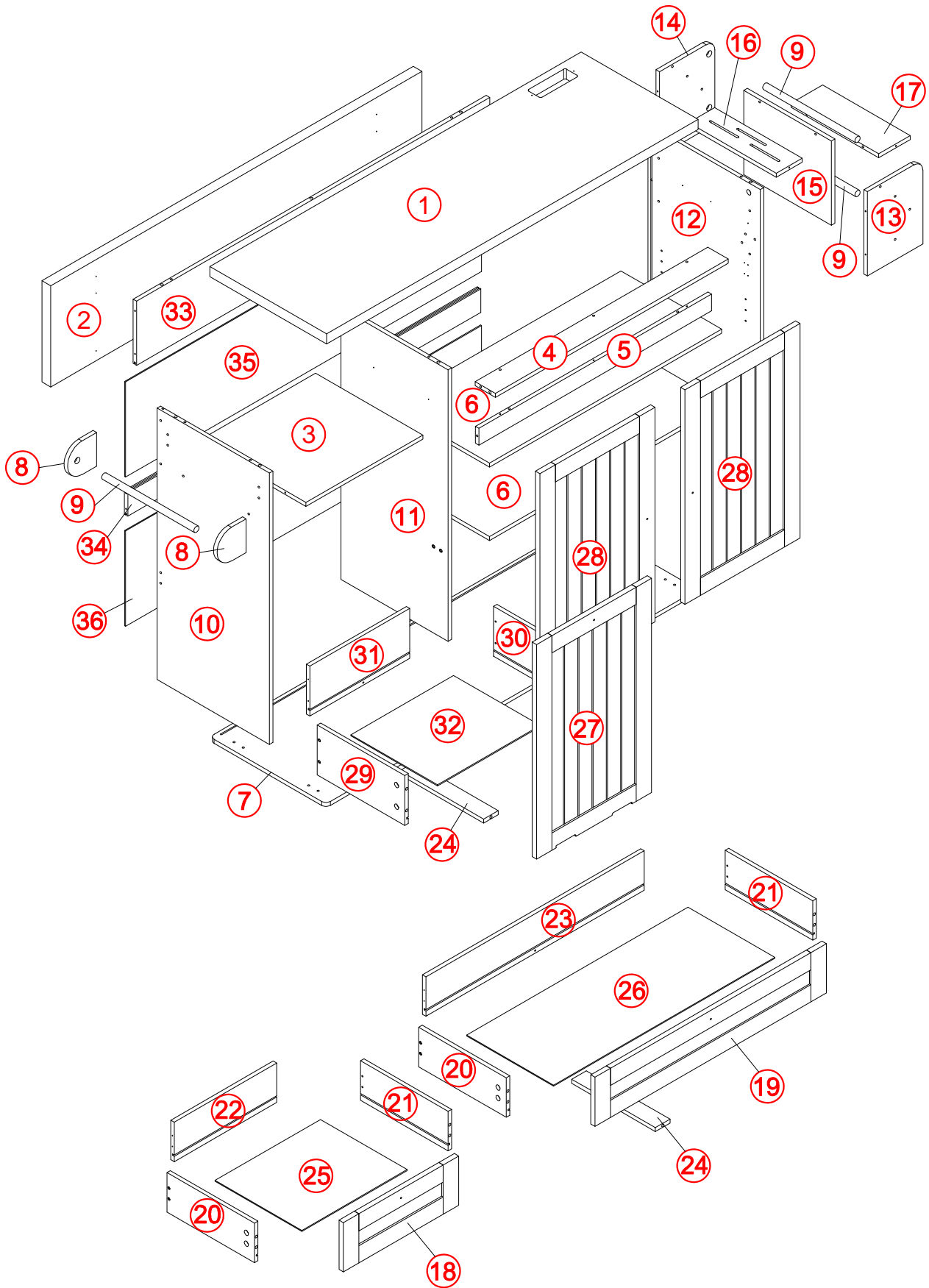
34 x1PC



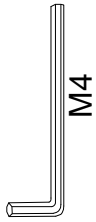
35 x1PC



36 x1PC



HARDWARE LIST



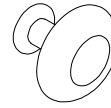
A×1PC



B×39PCS



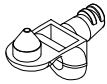
C×23PCS



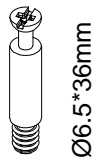
D1×5PCS



D2×5PCS



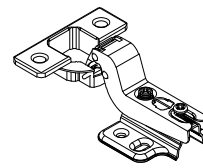
E×8PCS



F1×24PCS



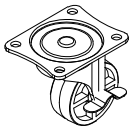
F2×24PCS



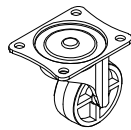
G×4PCS



H×31PCS



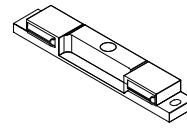
I×4PCS



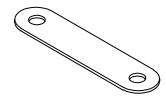
J×1PC



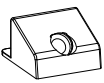
K×14PCS



120*19mm
L1×2PCS



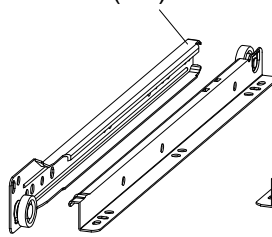
54*12*1.0mm
L2×5PCS



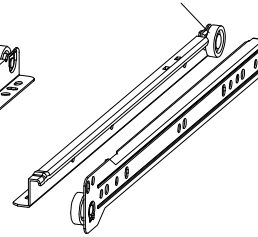
M1×9PCS



M2×17PCS

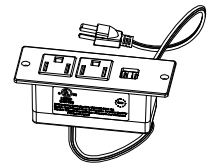


N1(DL)×2PCS

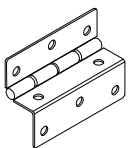


N2(DR)×2PCS

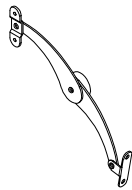
N2(CR)×2PCS



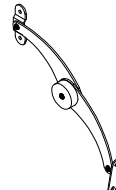
O×1PC



P×2PCS



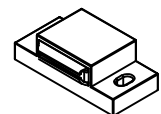
Q1×(CL)1PC



Q2(CR)×1PC

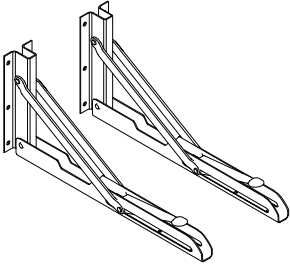


R×8PCS



41*19mm
S×1PC

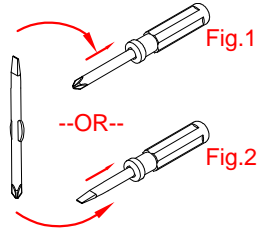
HARDWARE LIST



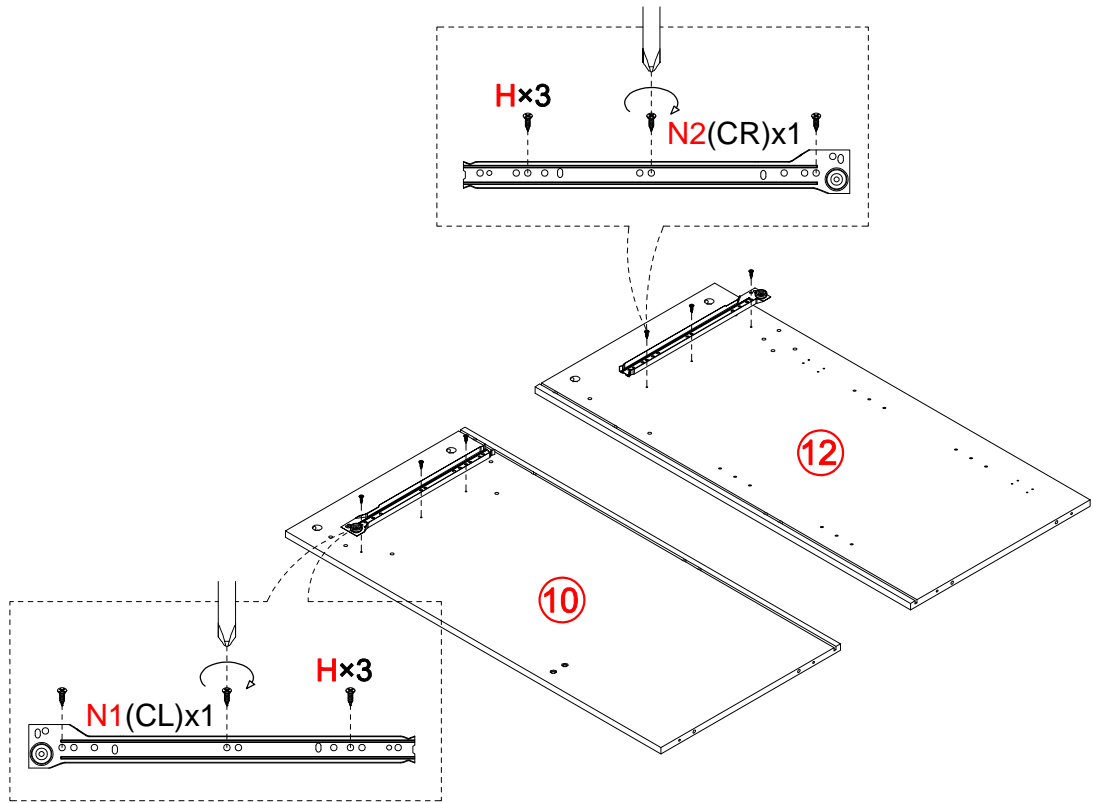
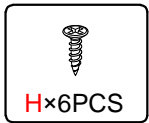
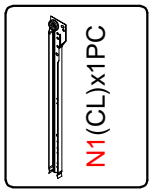
T×2PCS



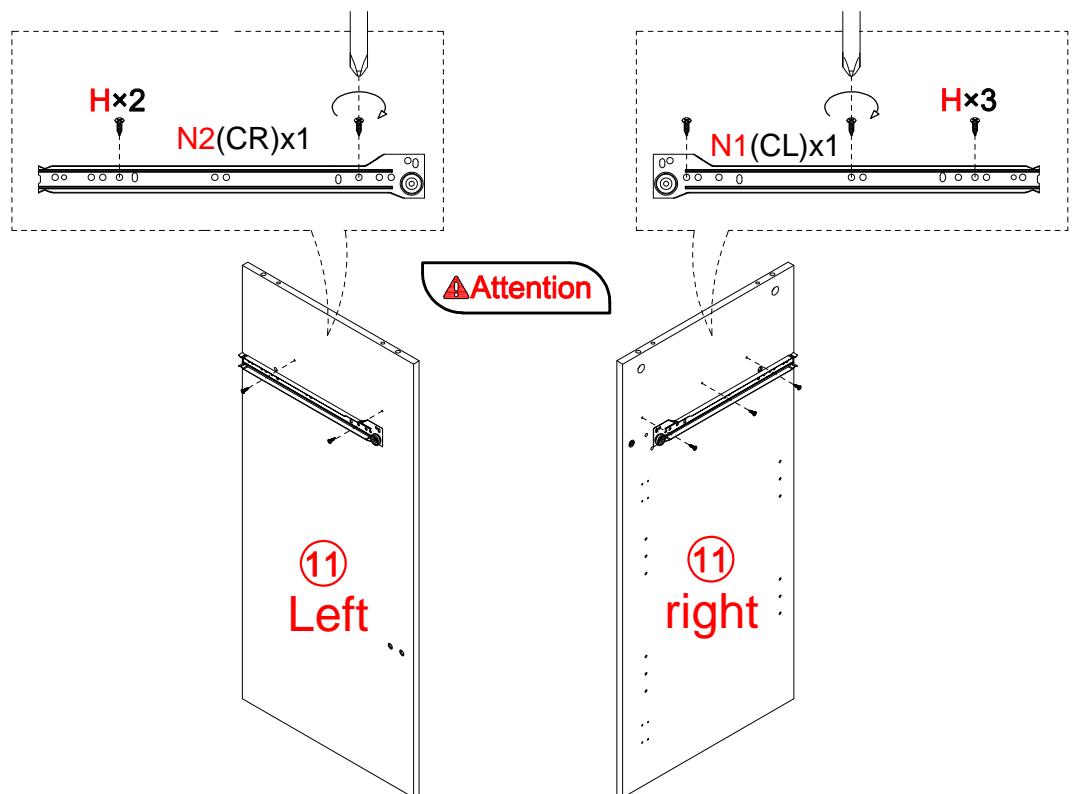
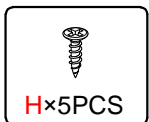
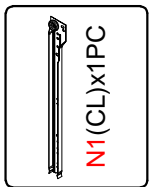
U×74PCS



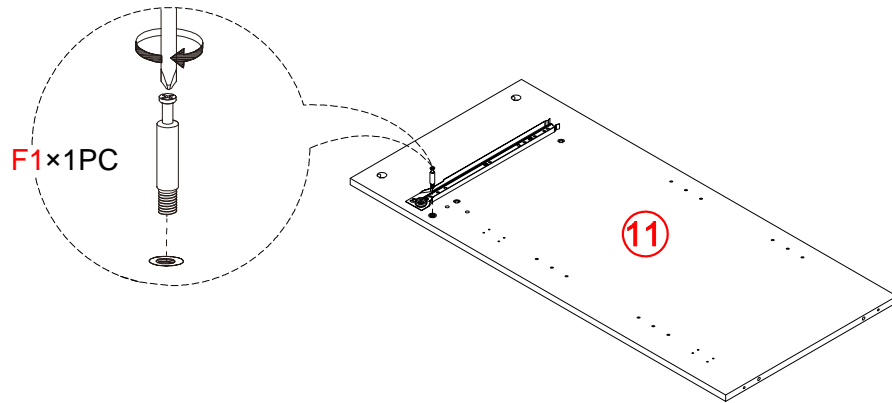
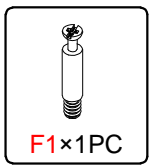
STEP 1



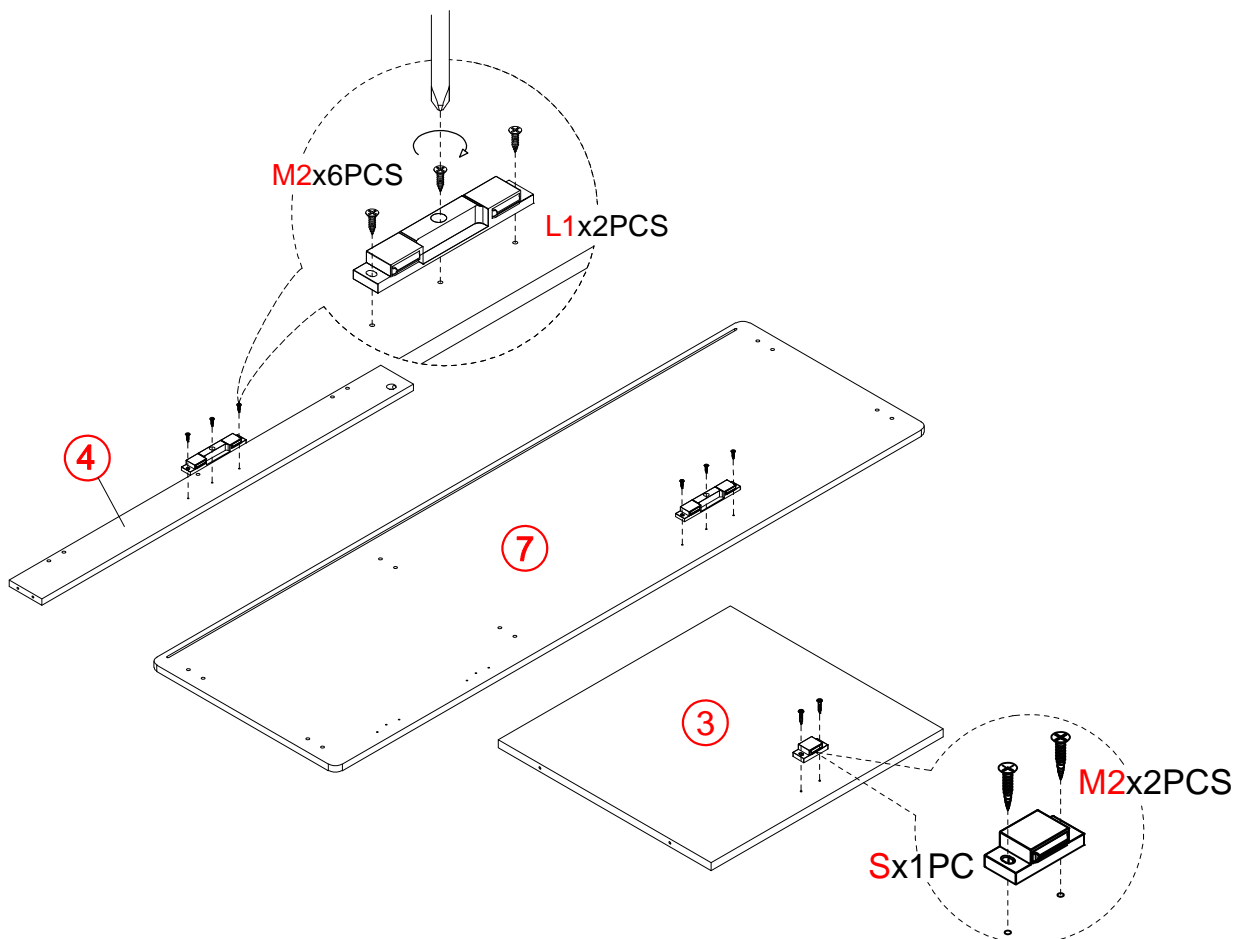
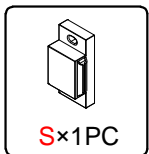
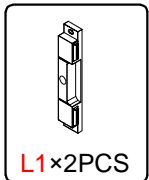
STEP 2



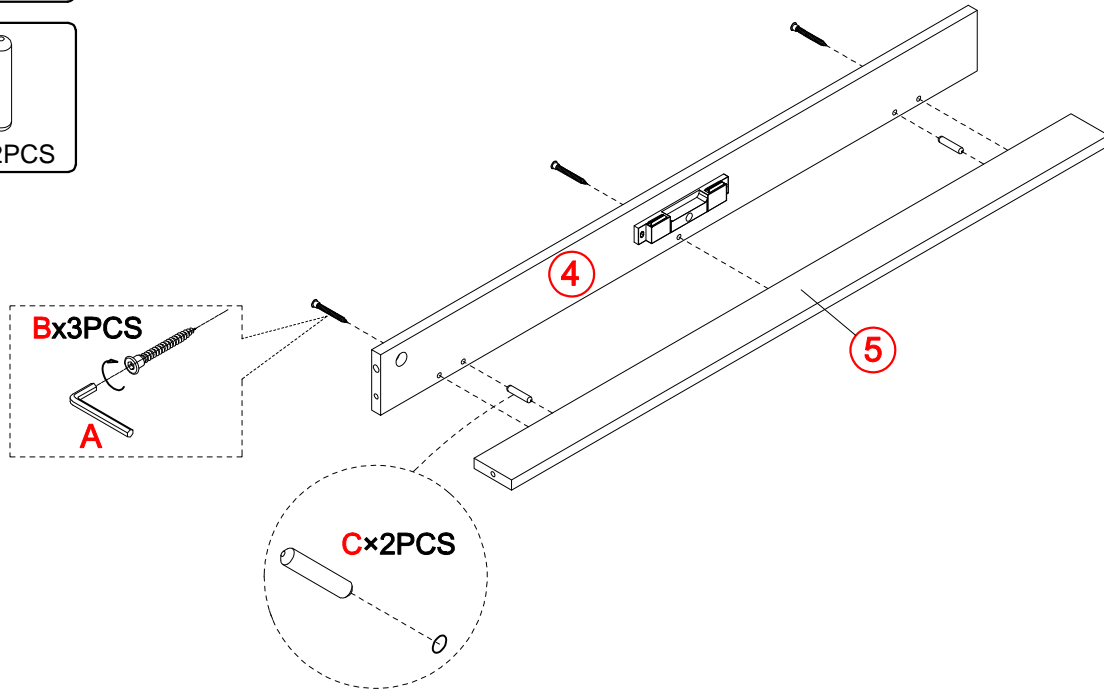
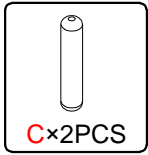
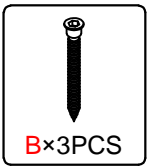
STEP 3



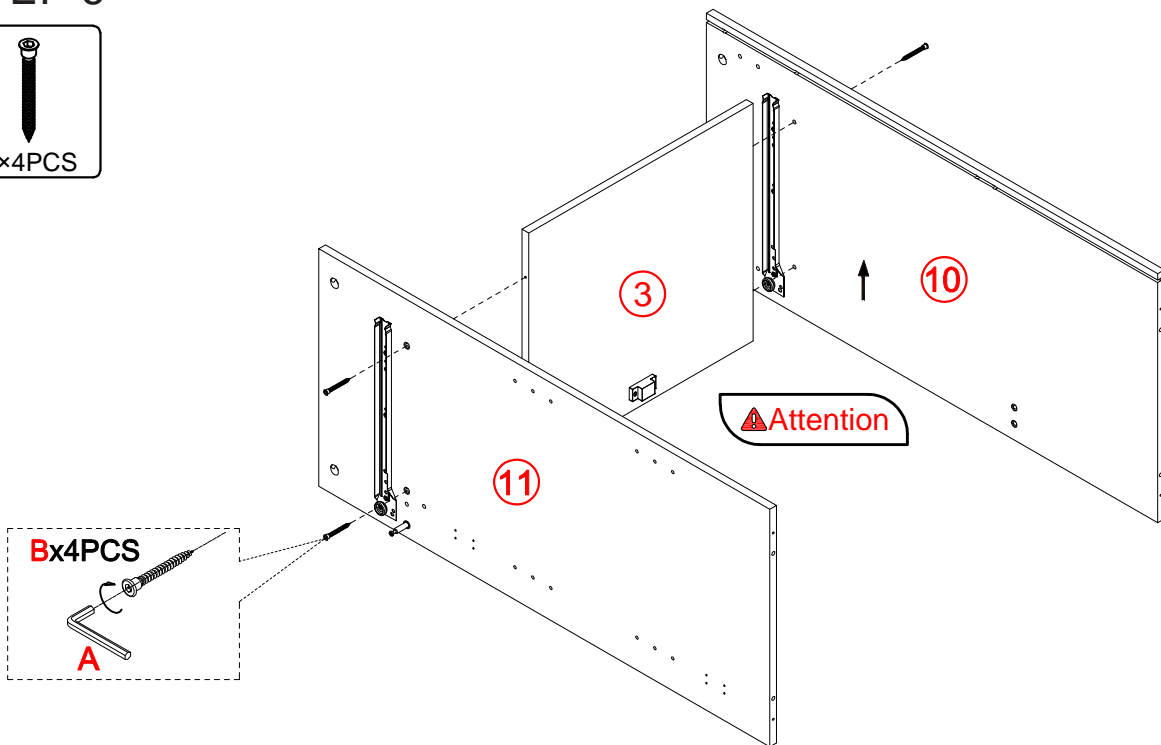
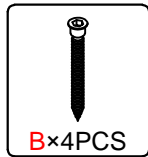
STEP 4



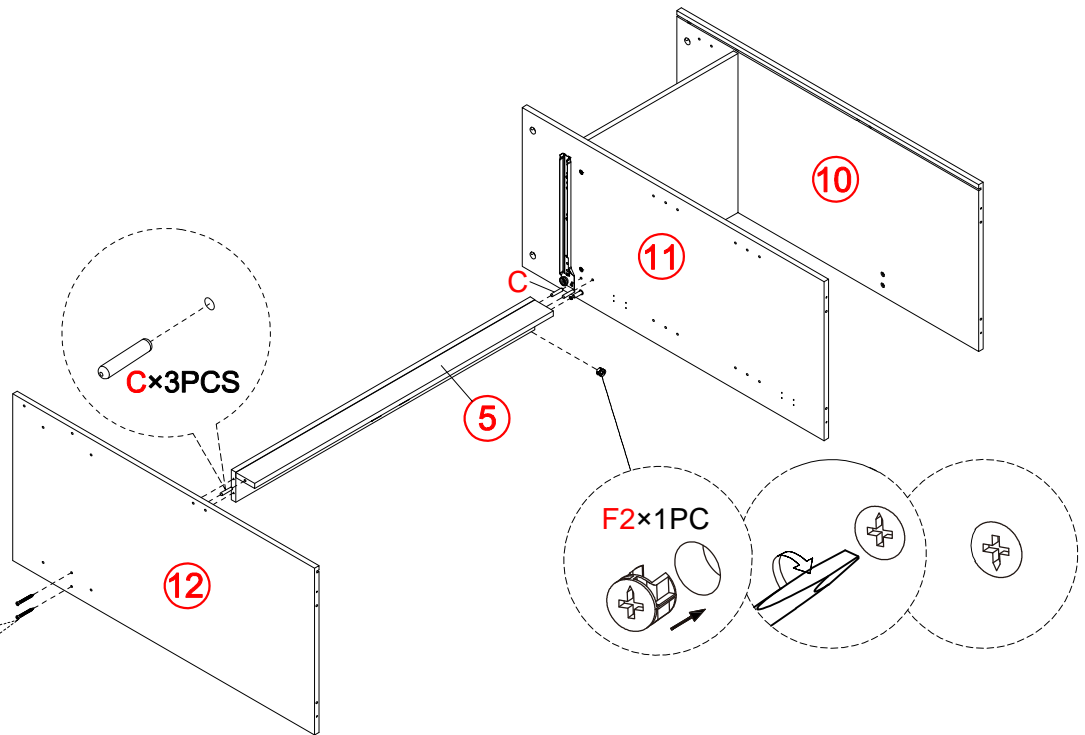
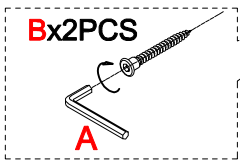
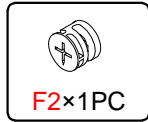
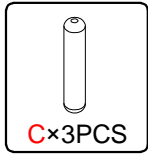
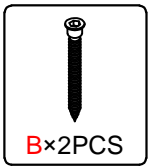
STEP 5



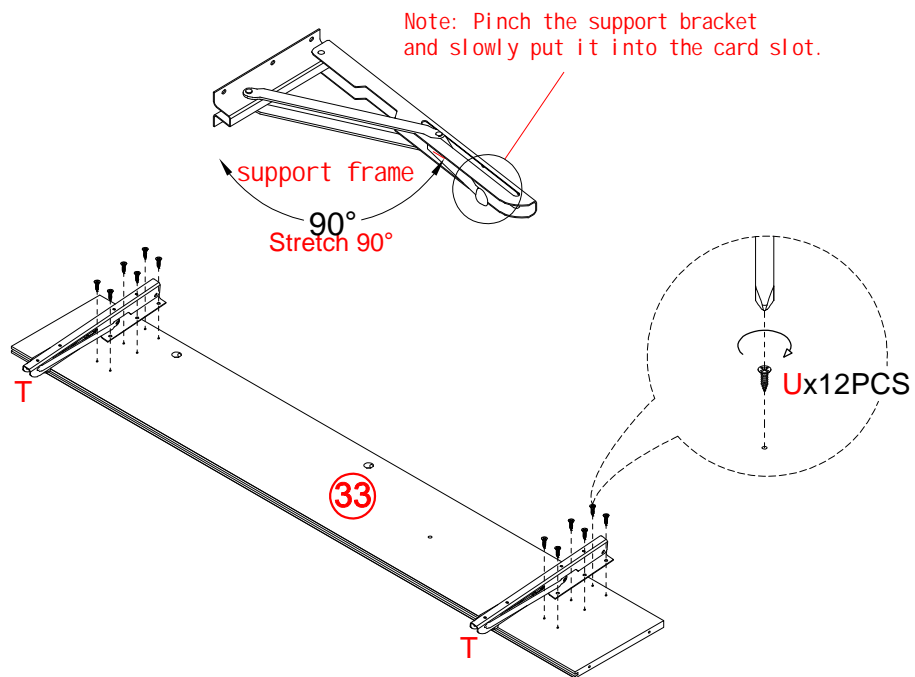
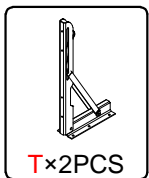
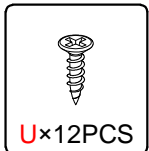
STEP 6



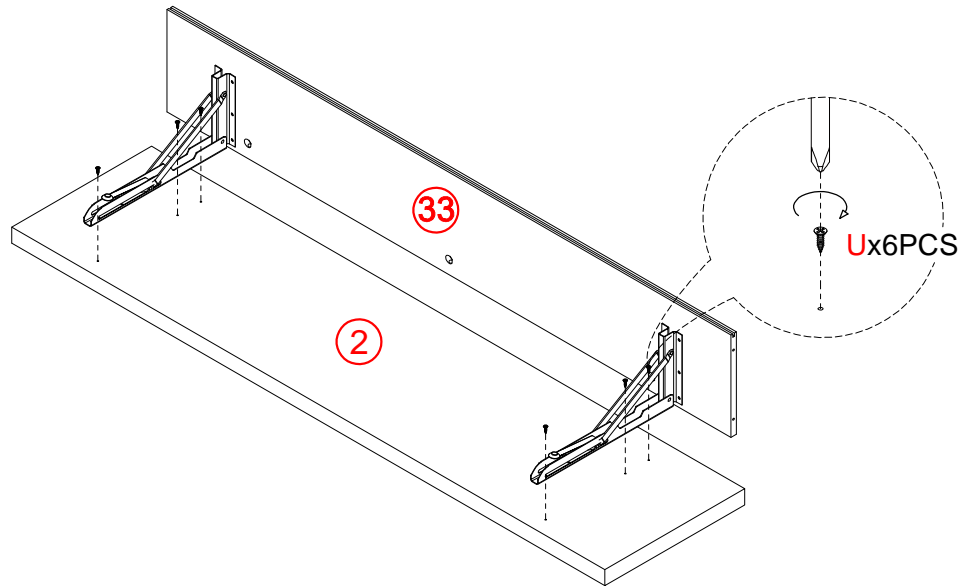
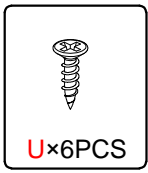
STEP 7



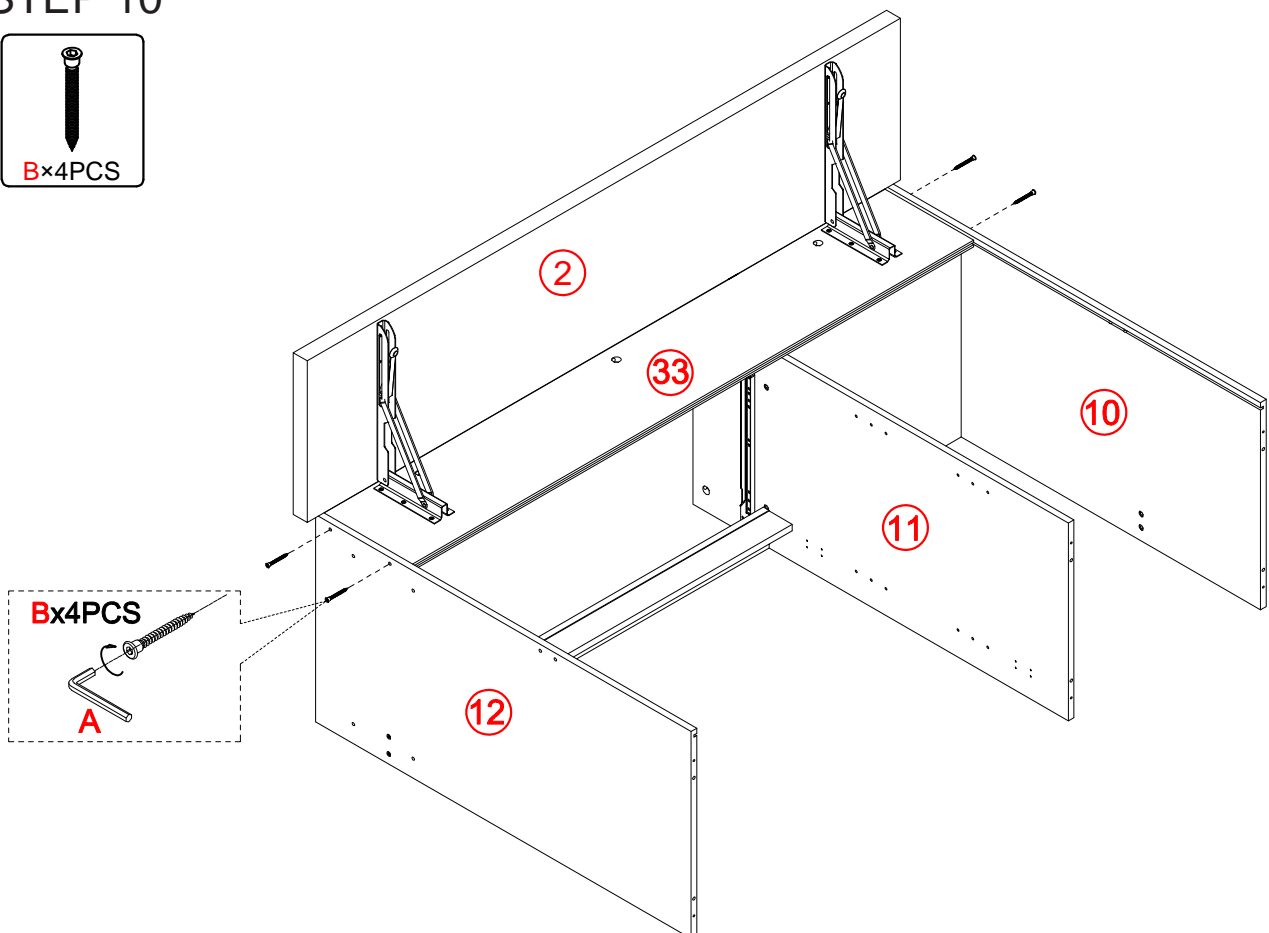
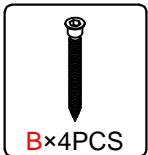
STEP 8



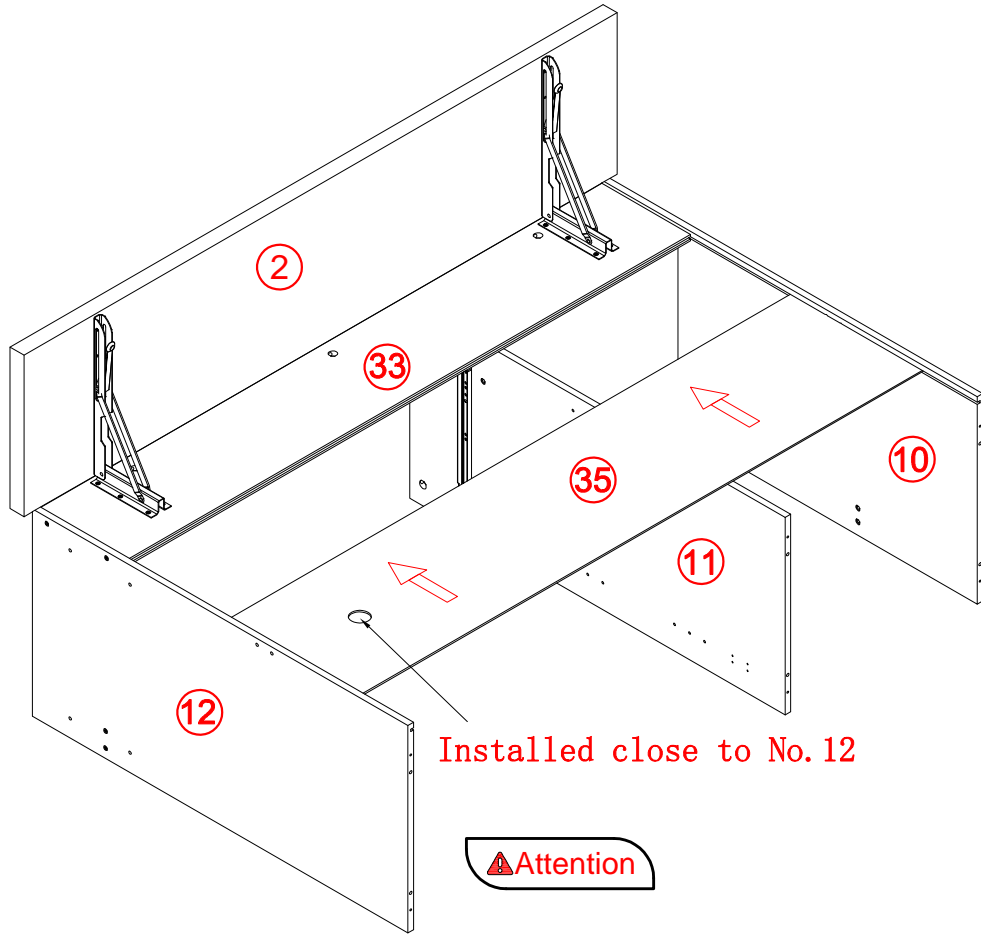
STEP 9



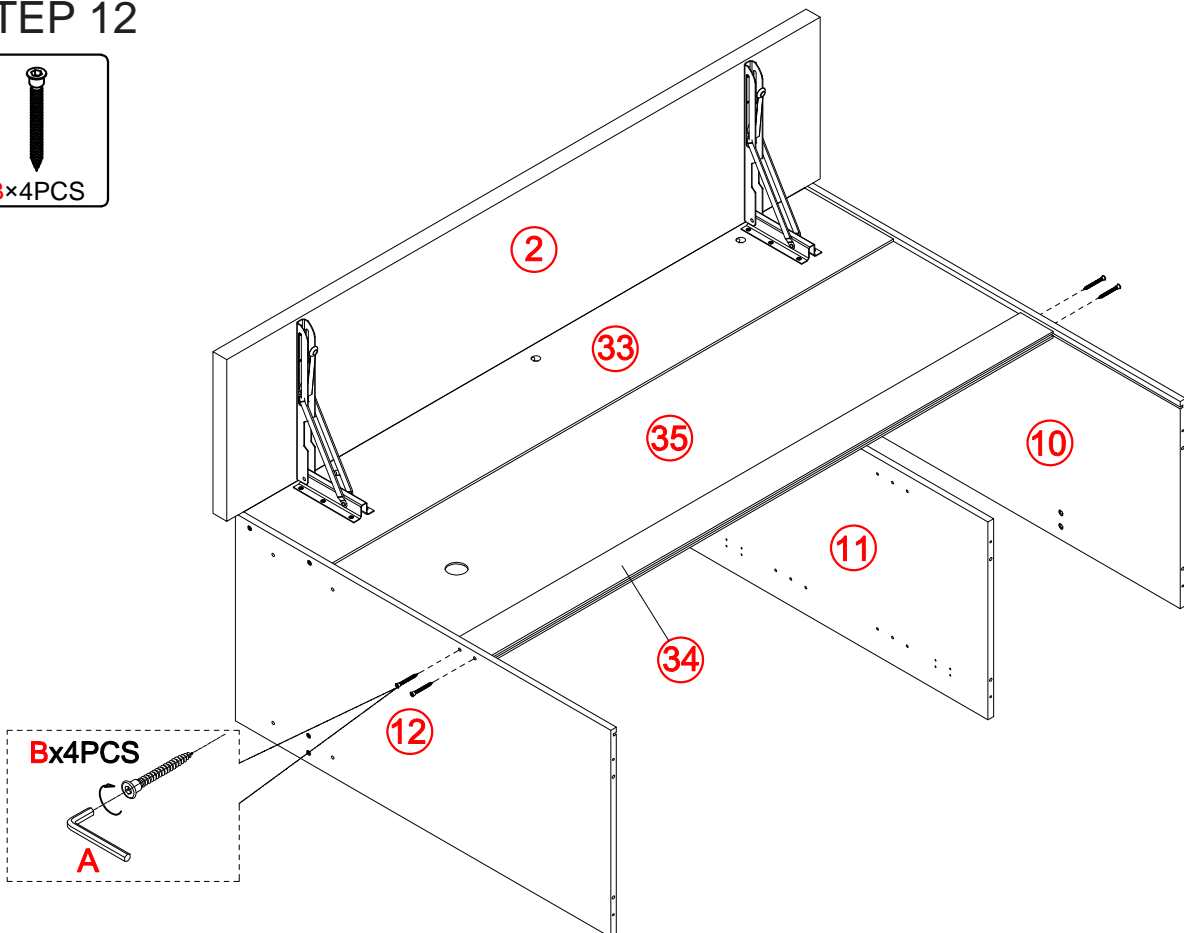
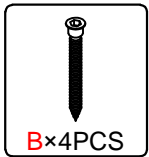
STEP 10



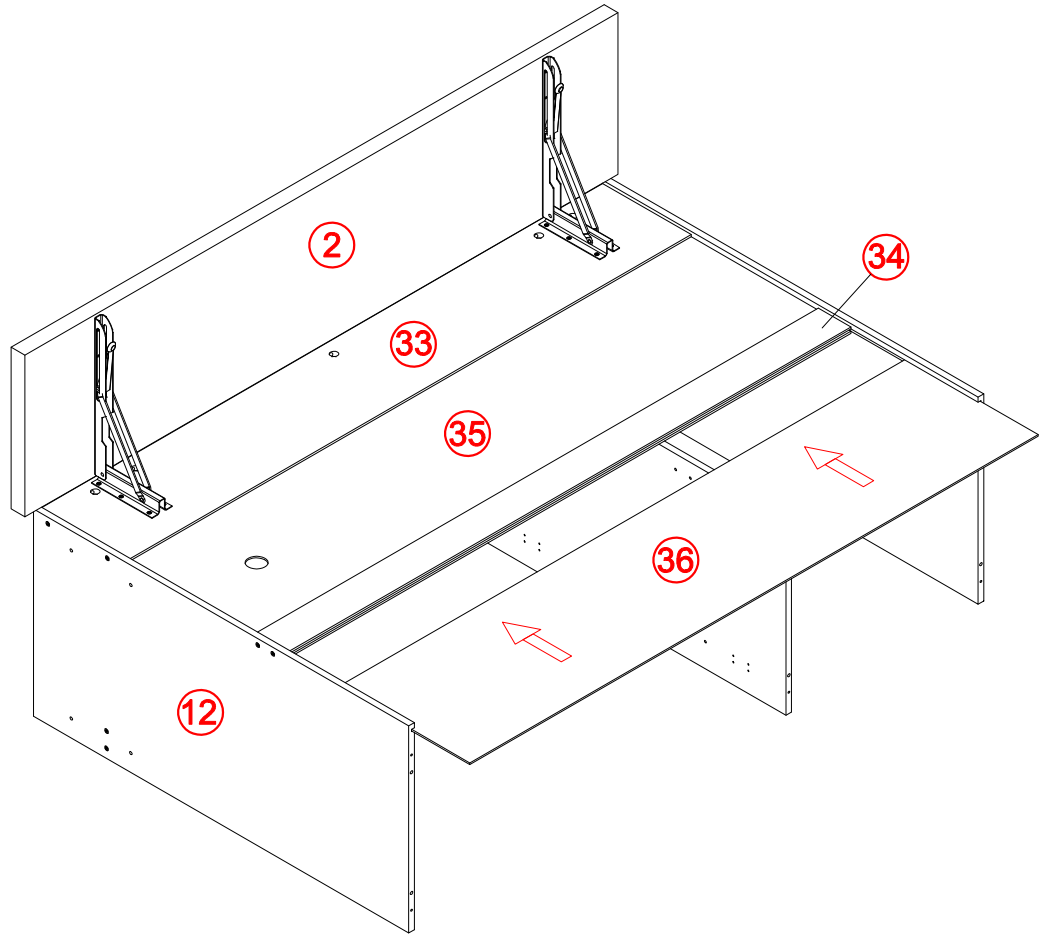
STEP 11



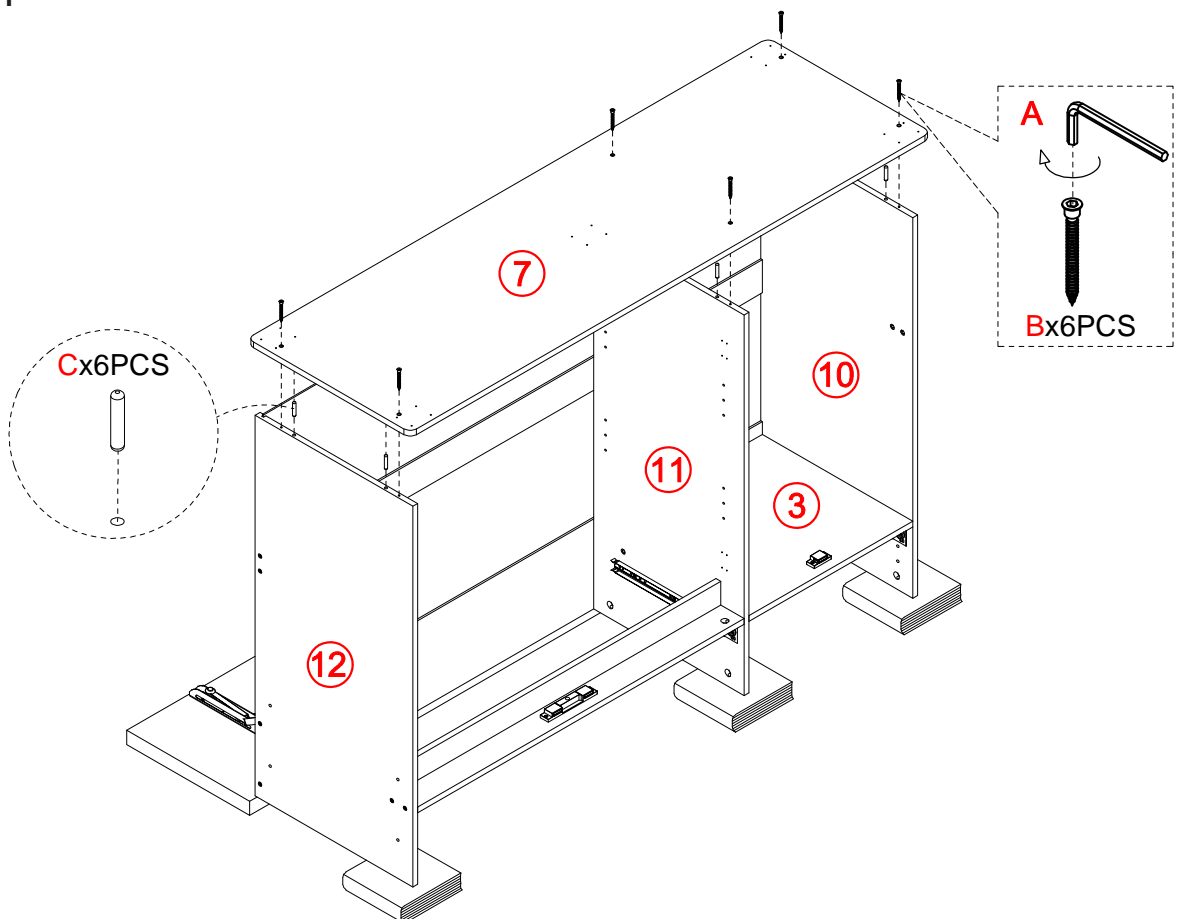
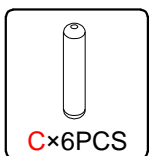
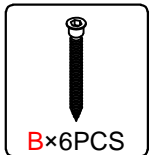
STEP 12



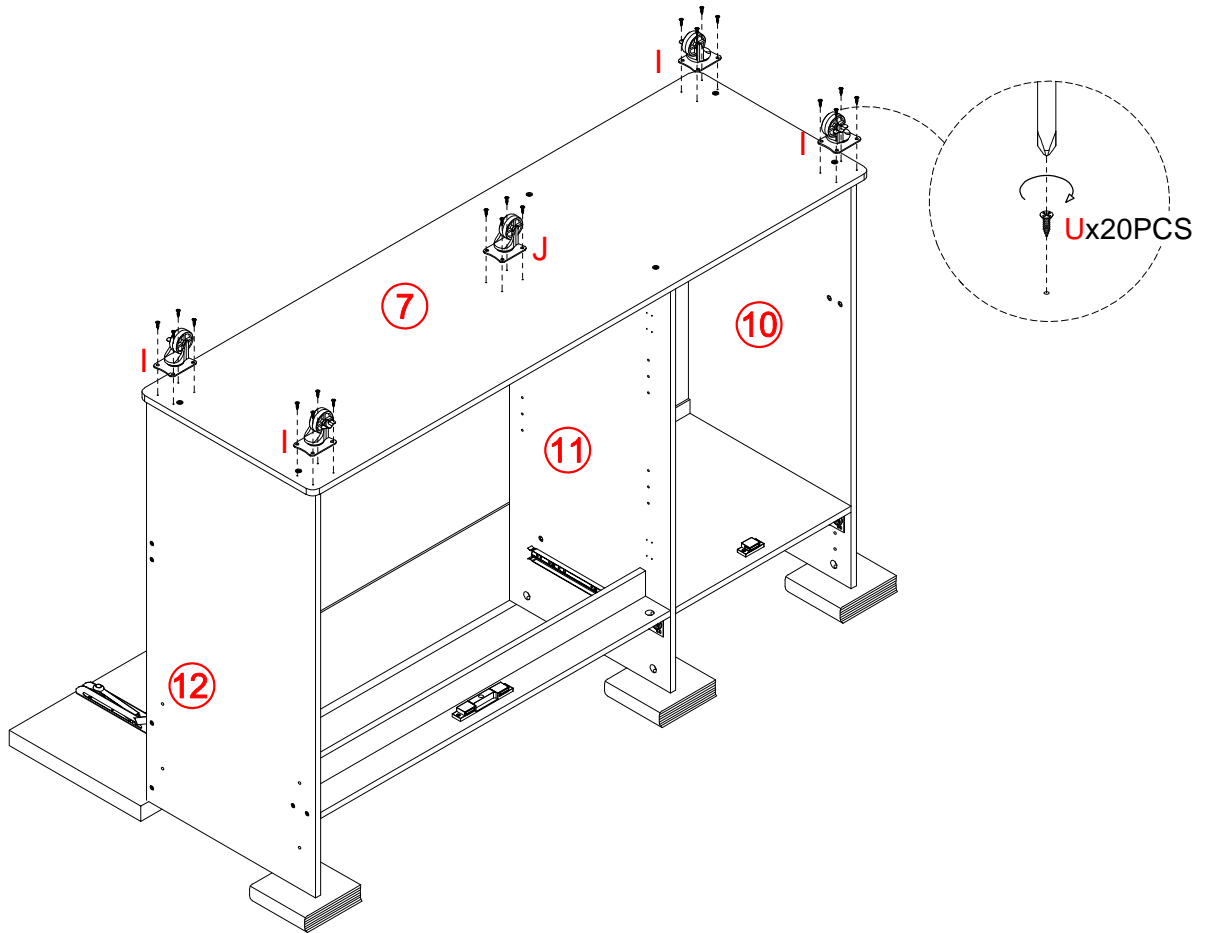
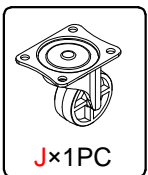
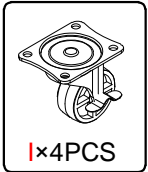
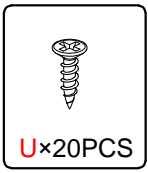
STEP 13



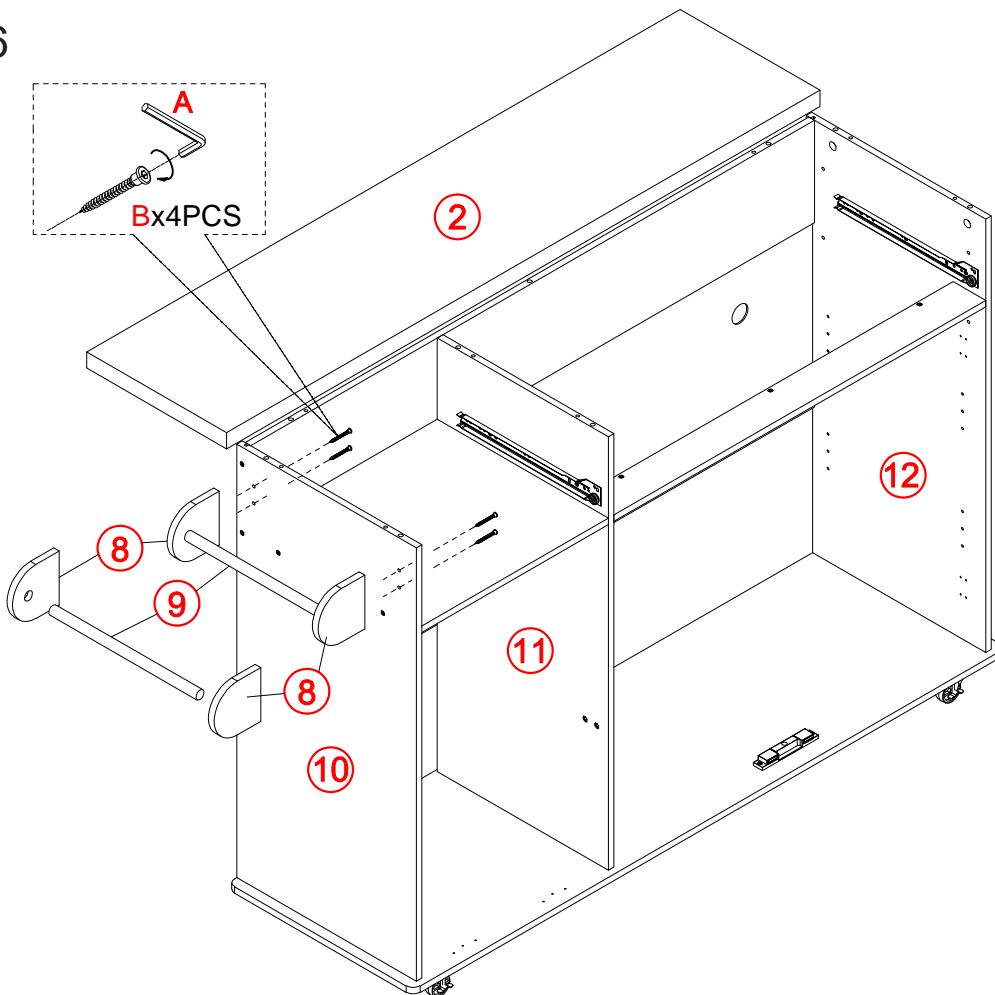
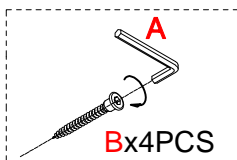
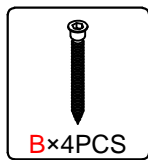
STEP 14



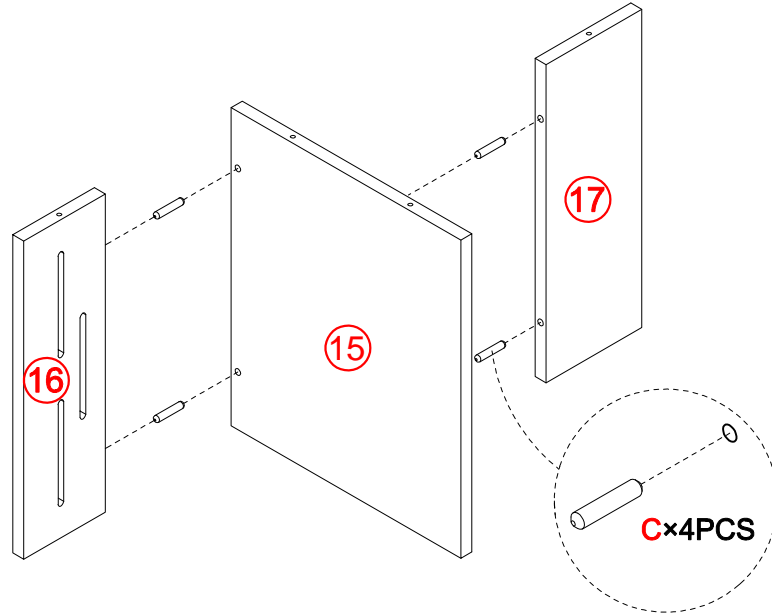
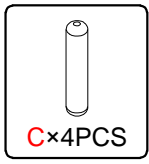
STEP 15



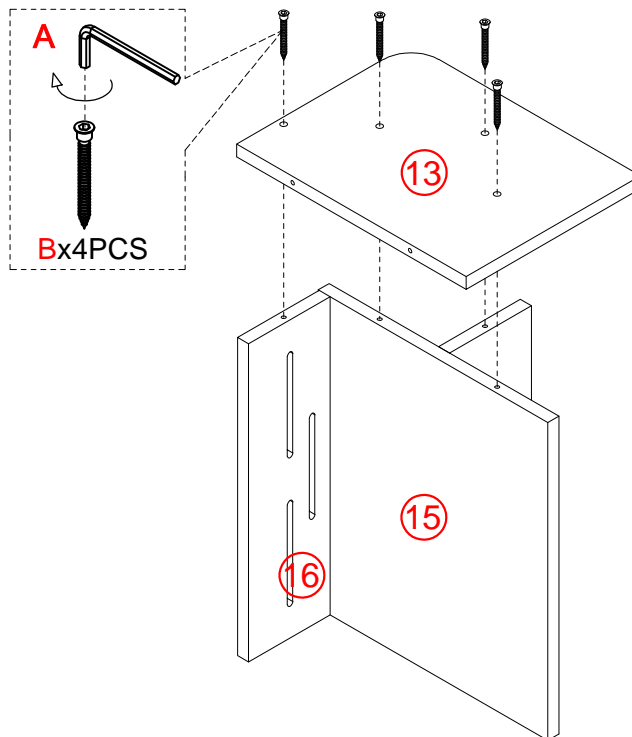
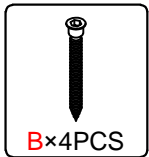
STEP 16



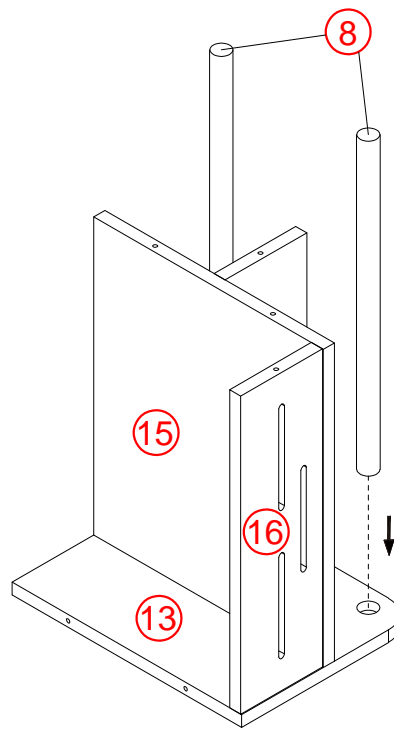
STEP 17



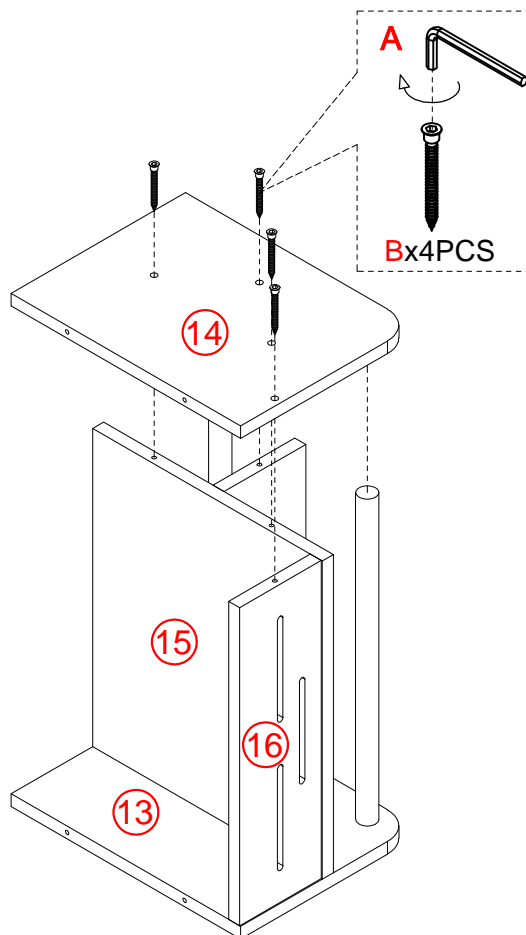
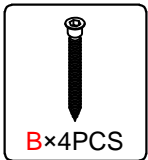
STEP 18



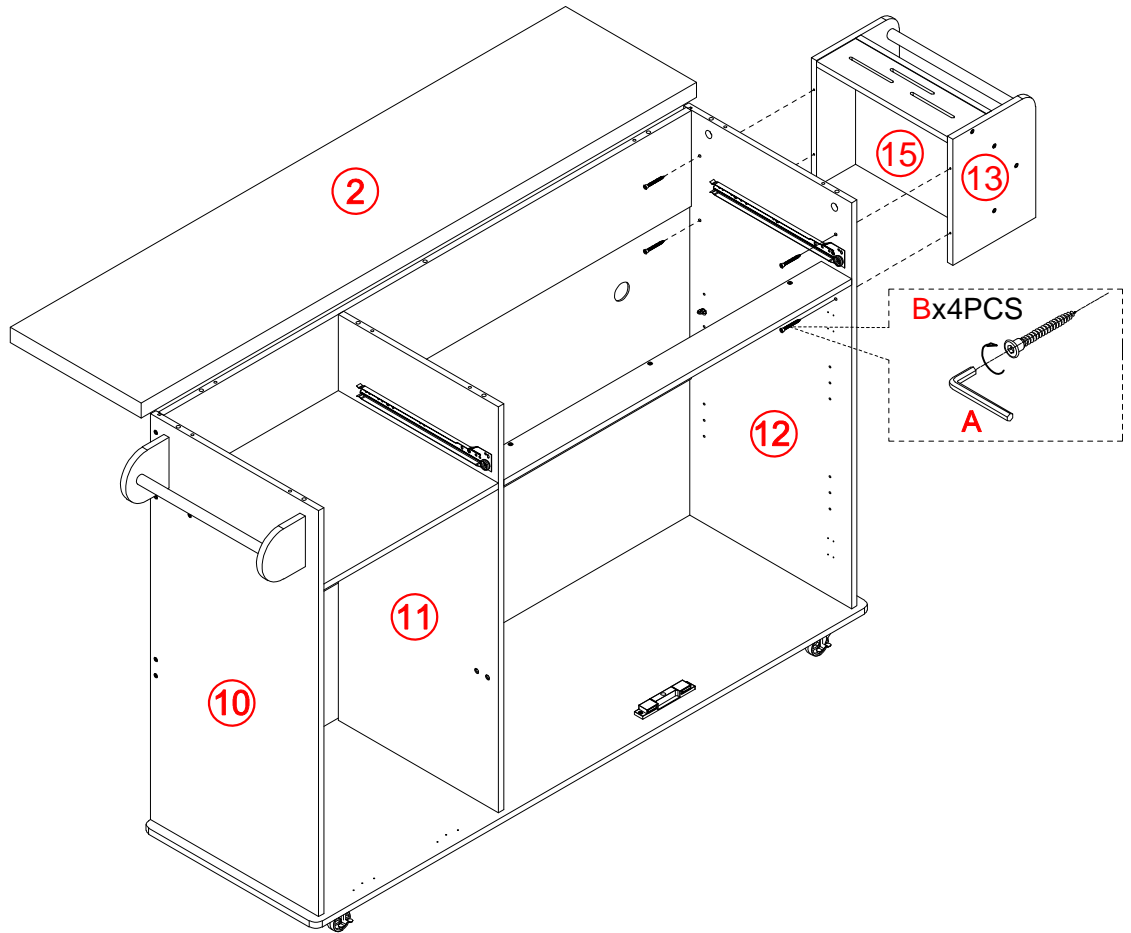
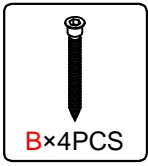
STEP 19



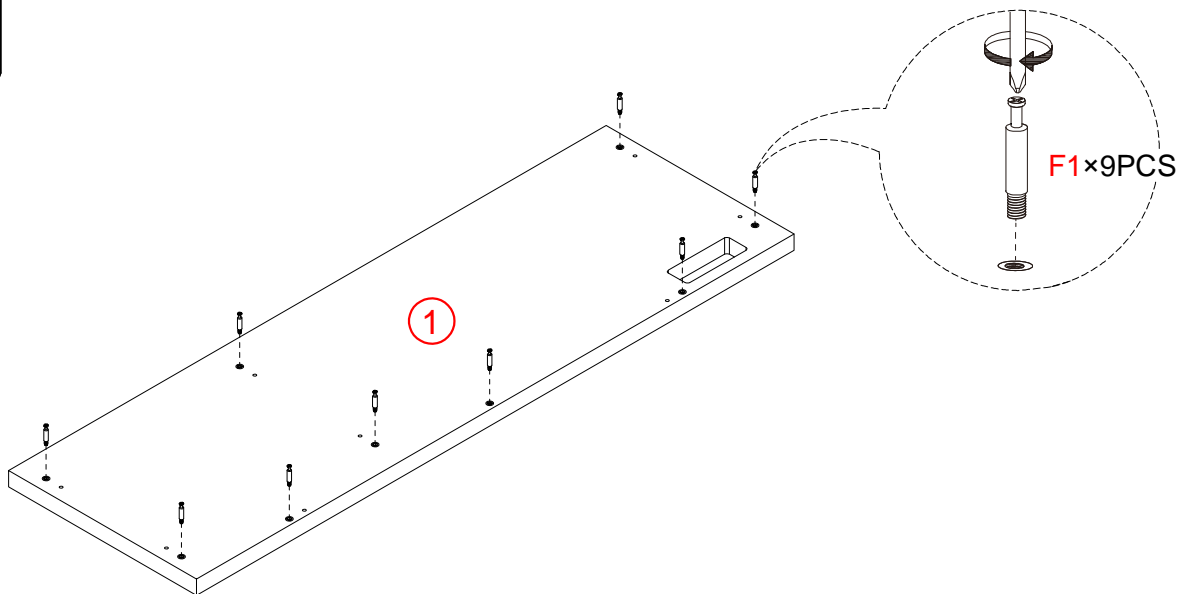
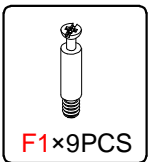
STEP 20



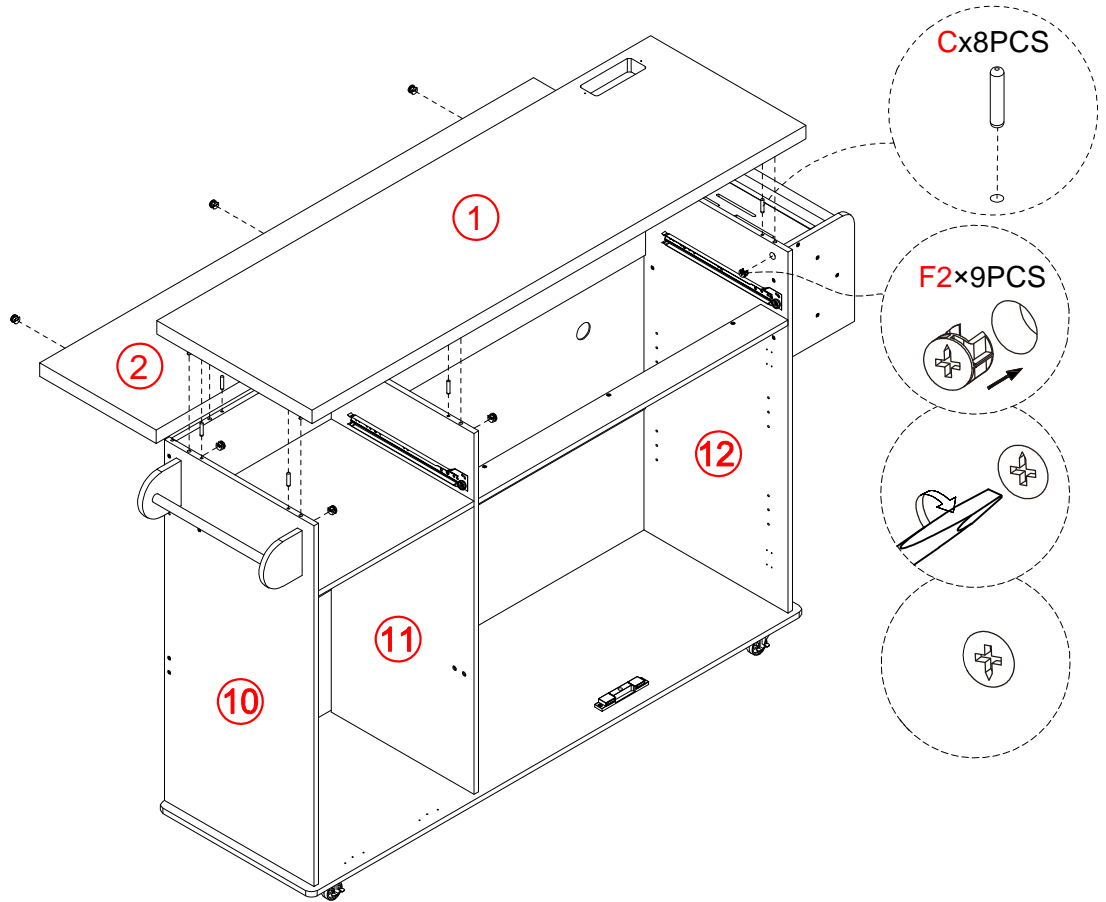
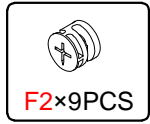
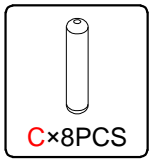
STEP 21



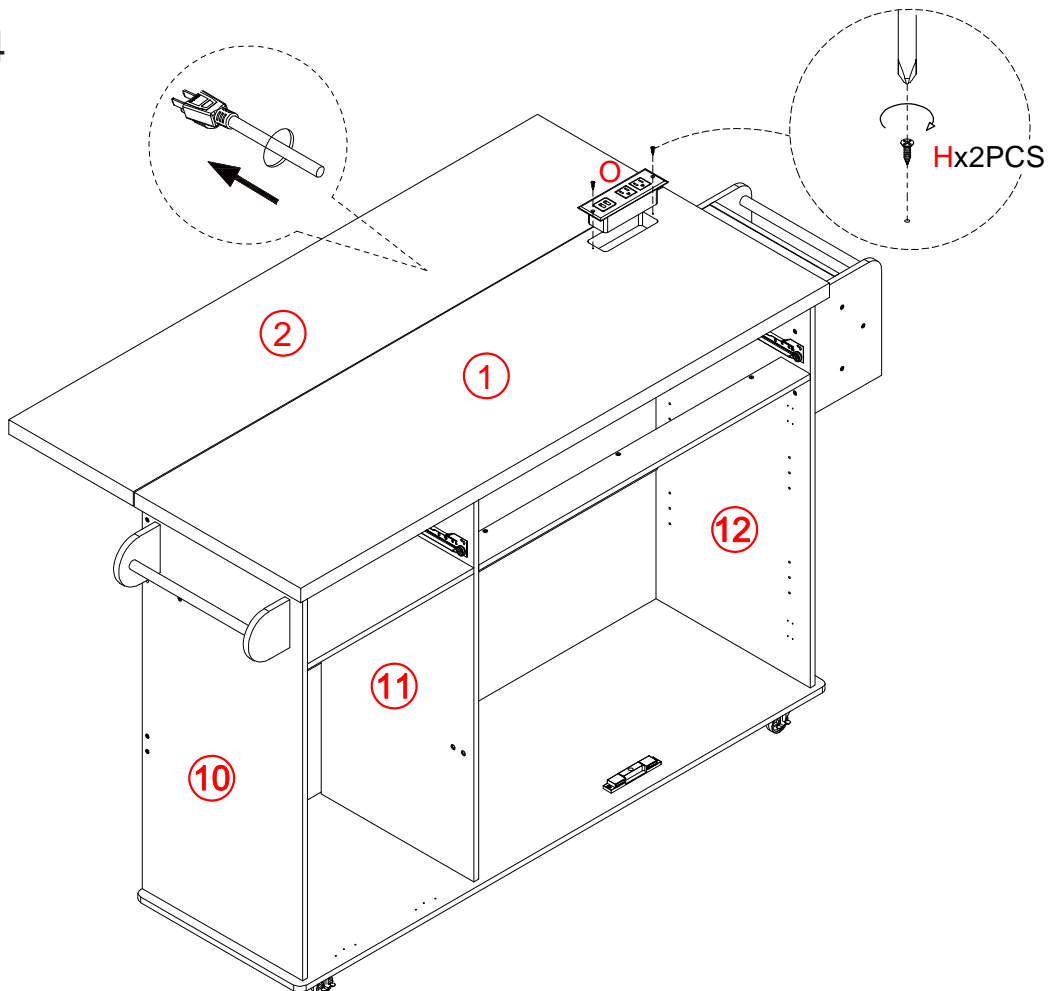
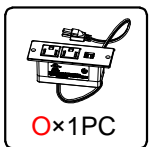
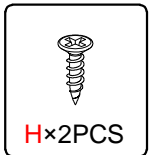
STEP 22



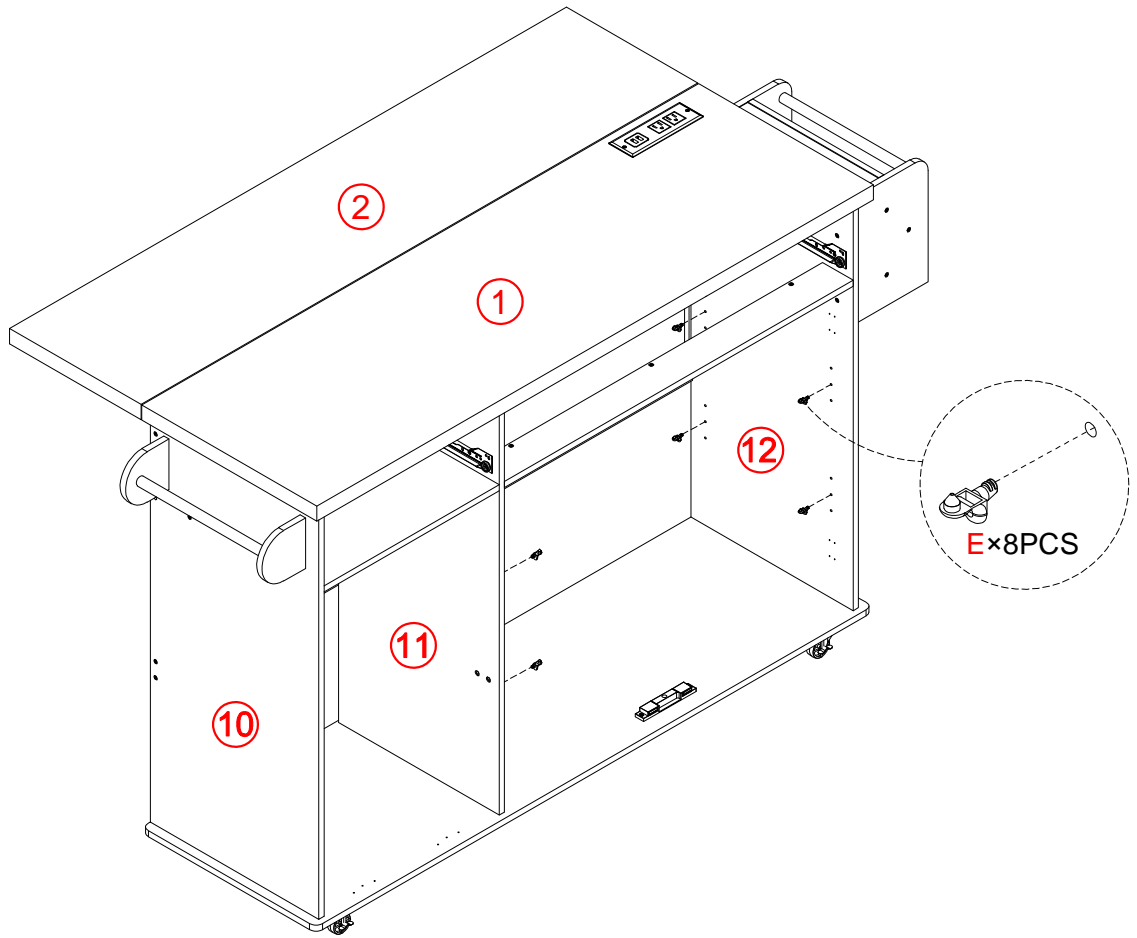
STEP 23



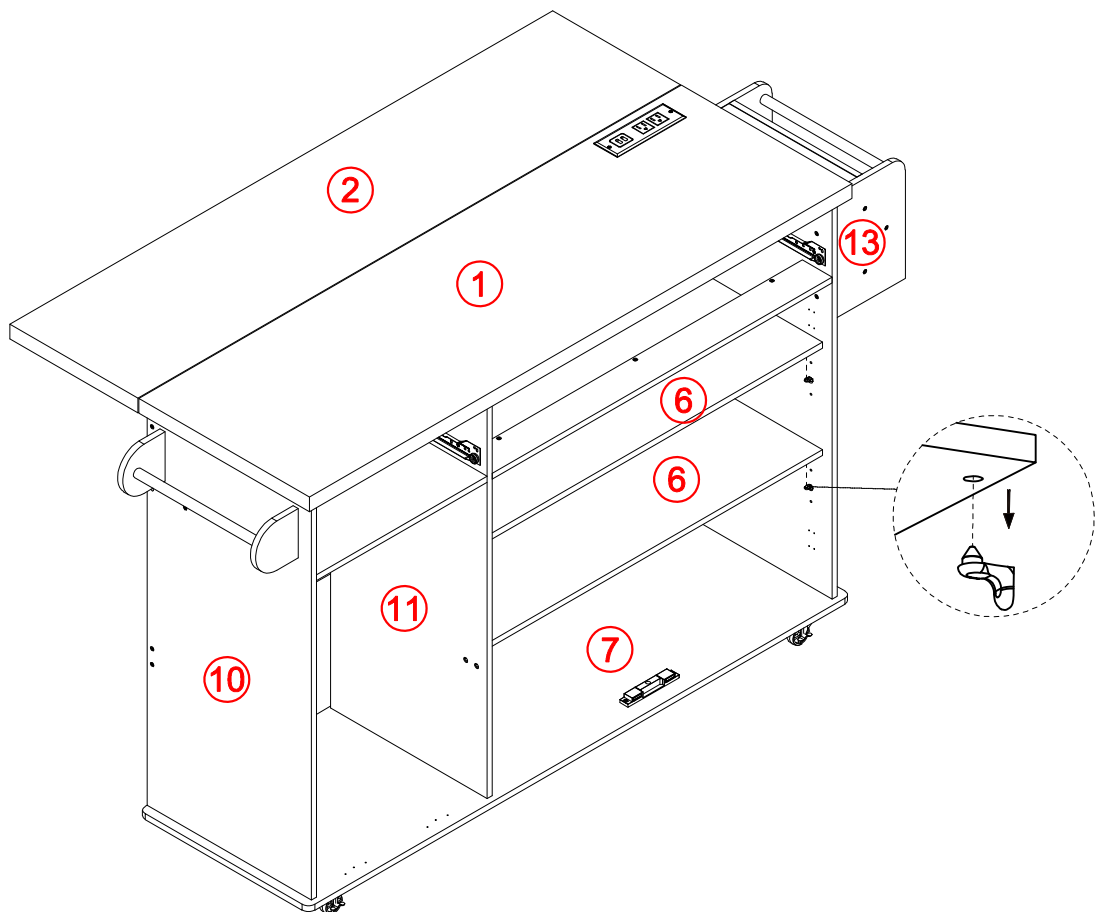
STEP 24



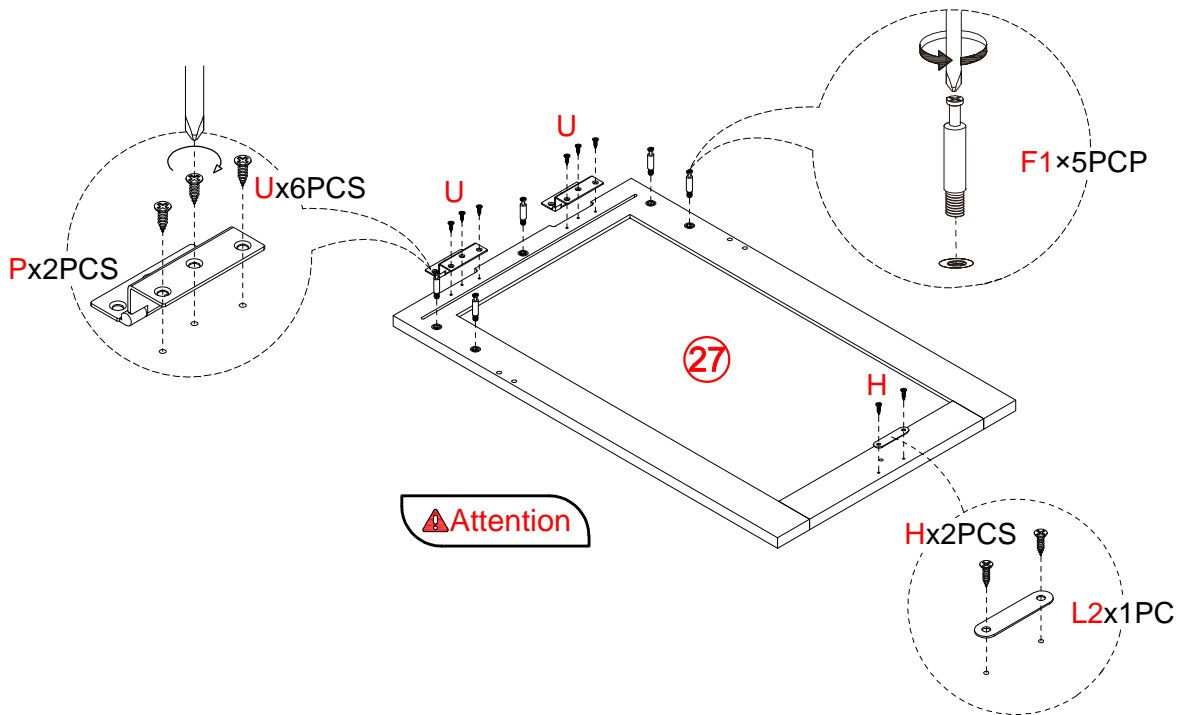
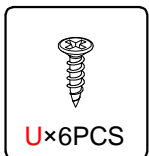
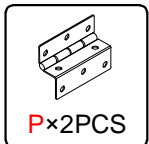
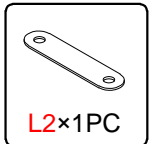
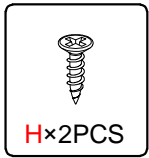
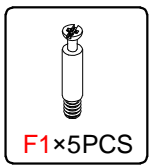
STEP 25



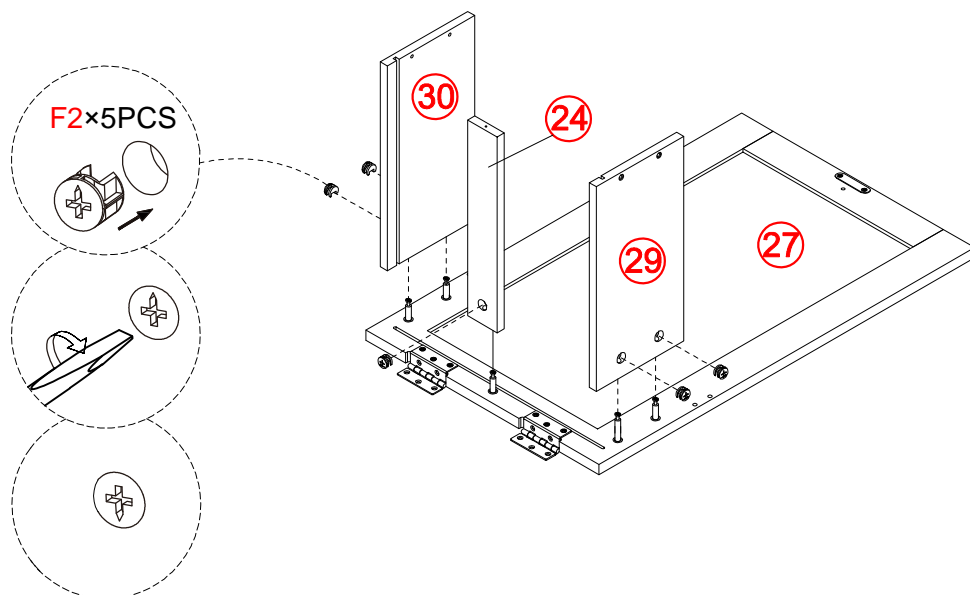
STEP 26



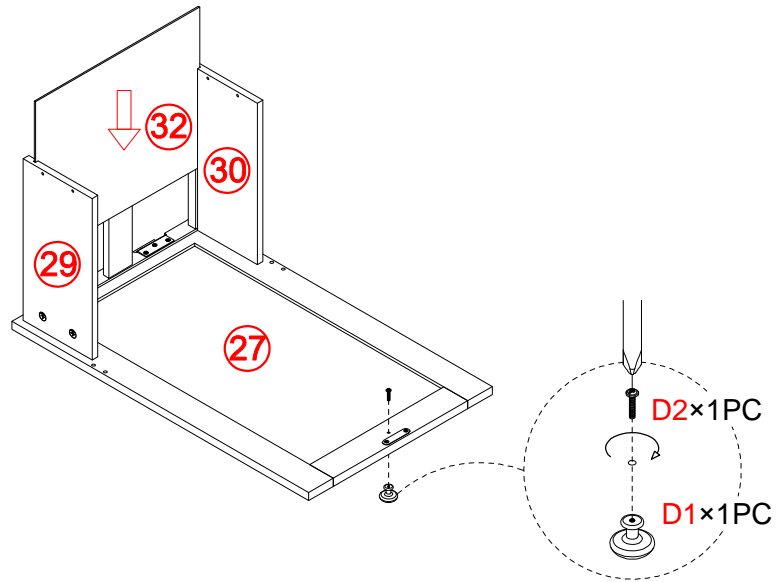
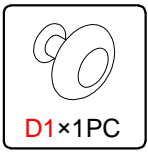
STEP 27



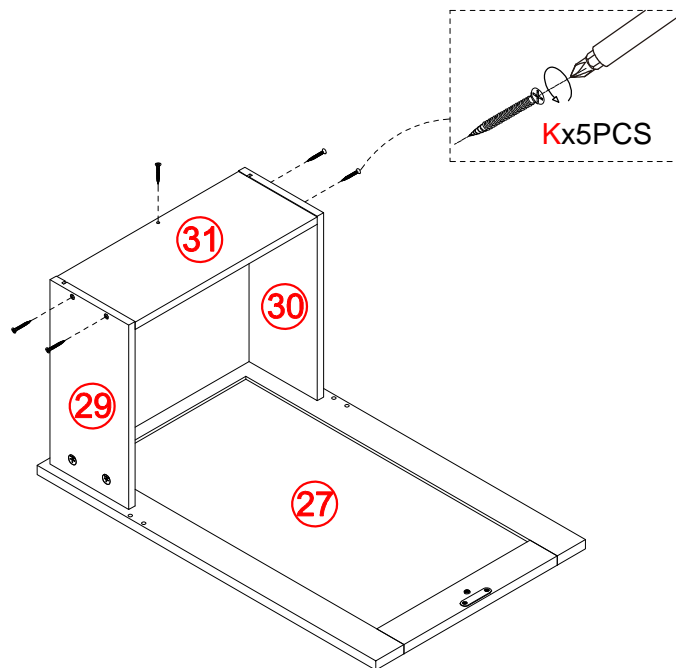
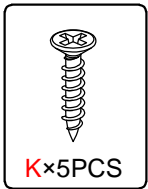
STEP 28



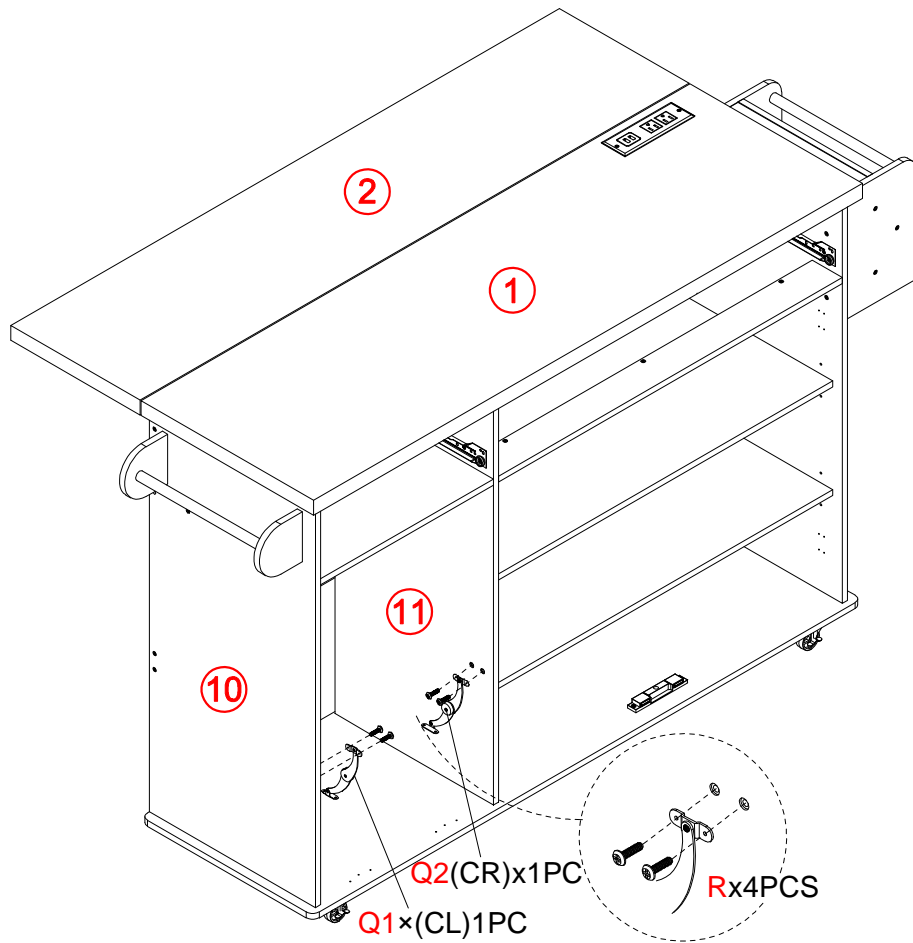
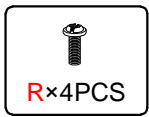
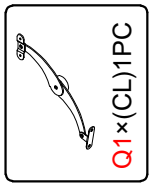
STEP 29



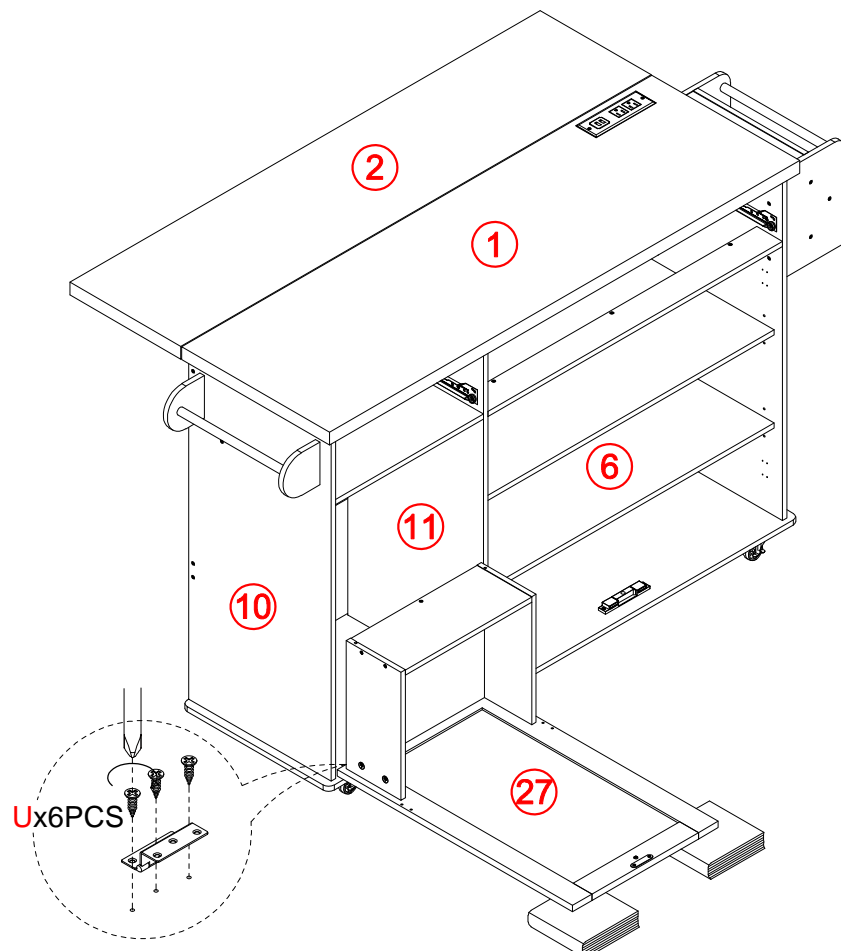
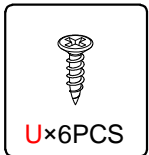
STEP 30



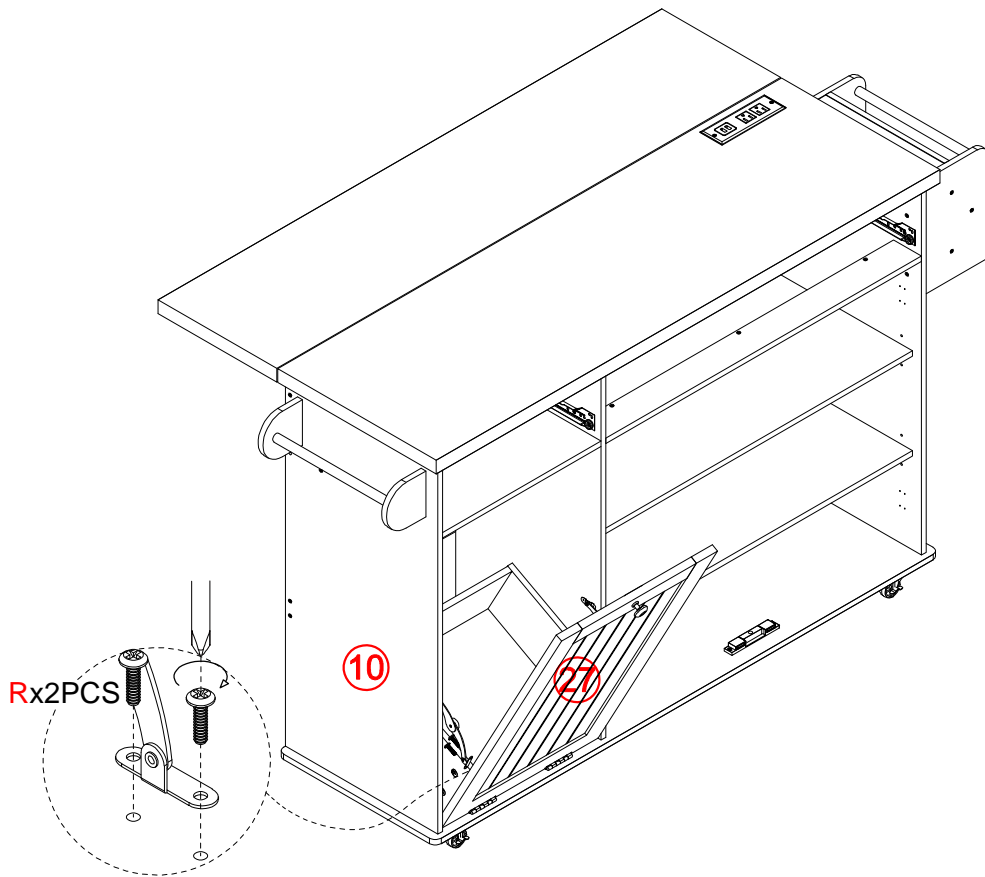
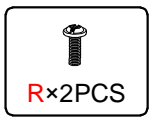
STEP 31



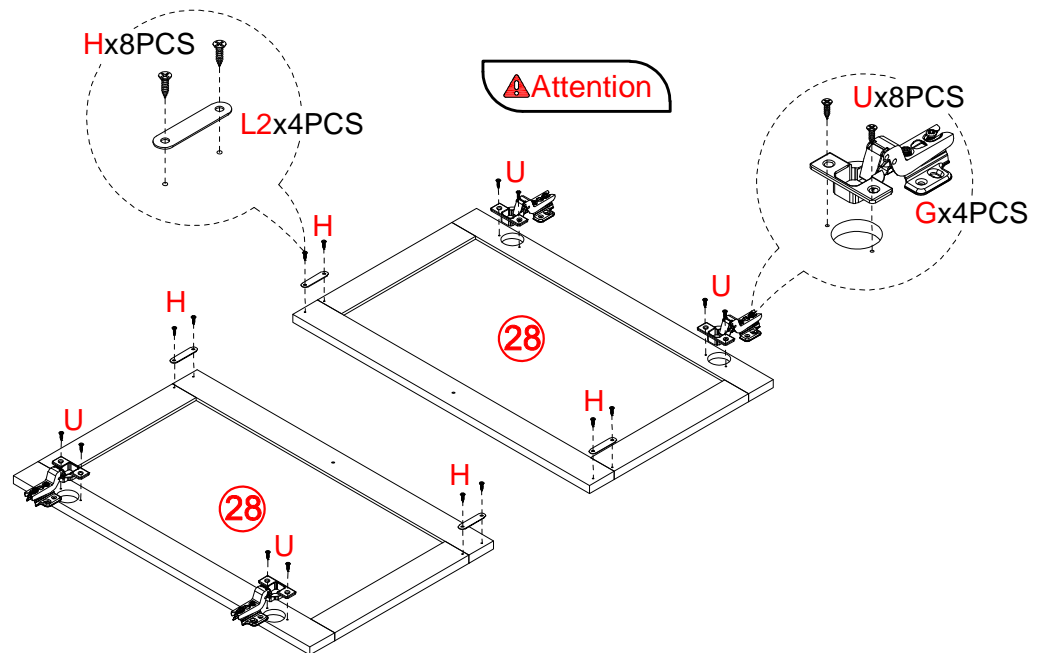
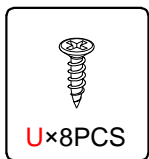
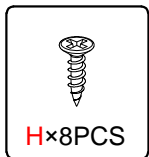
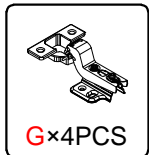
STEP 32



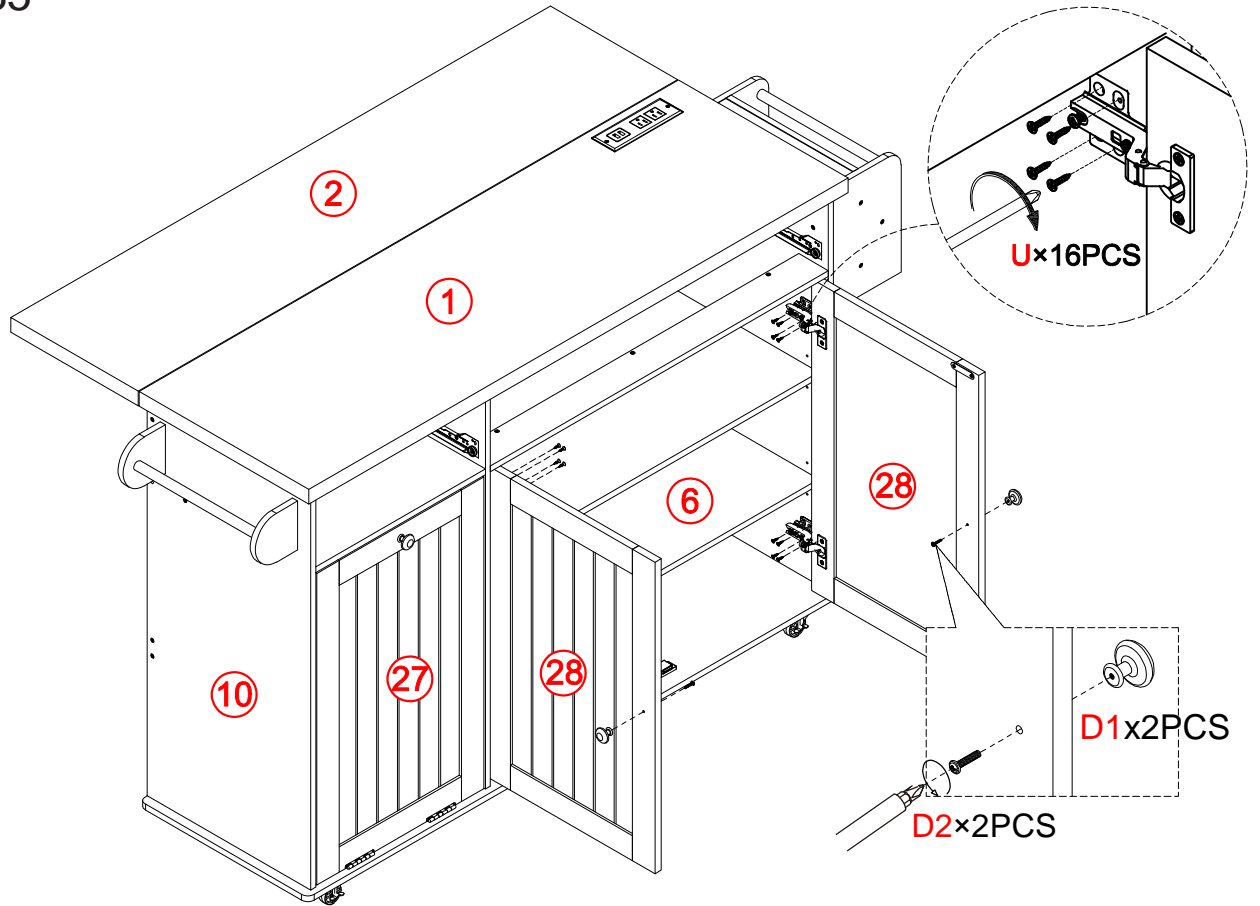
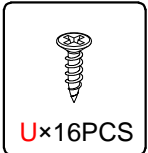
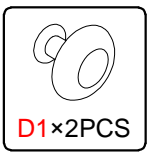
STEP 33



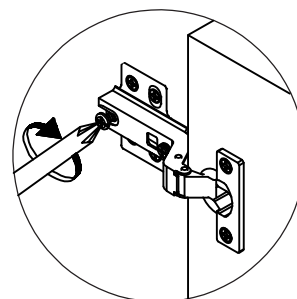
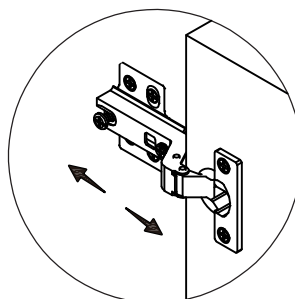
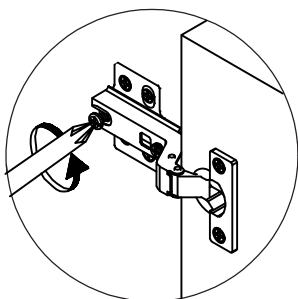
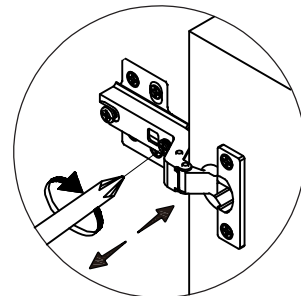
STEP 34



STEP 35

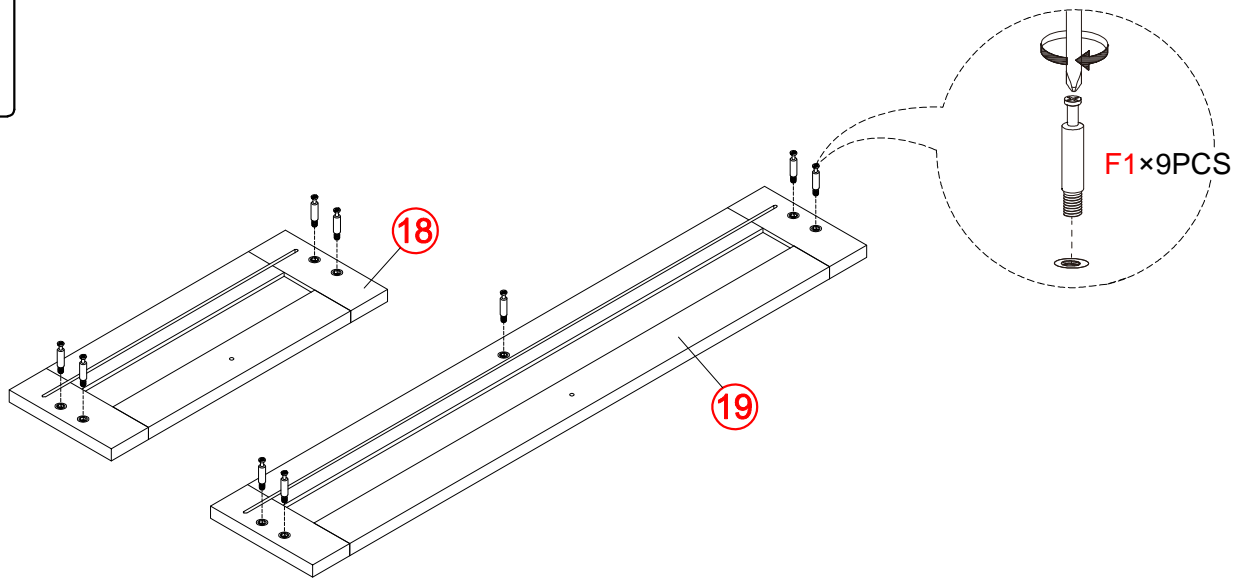
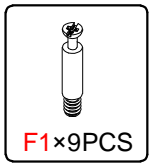


This is used to adjust the door panel in the left and right direction.

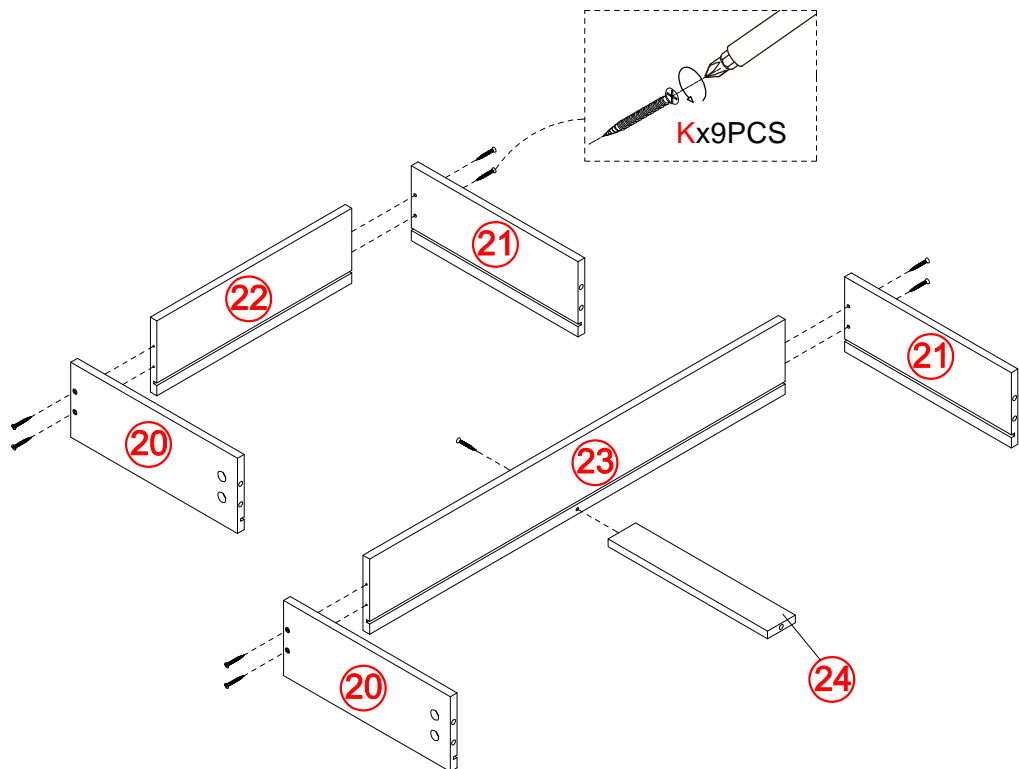
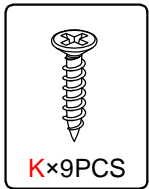


This is used to adjust the door panel in the front and back direction: Loosen screw D first, and then tighten screw D after adjusting the door panel to the proper position.

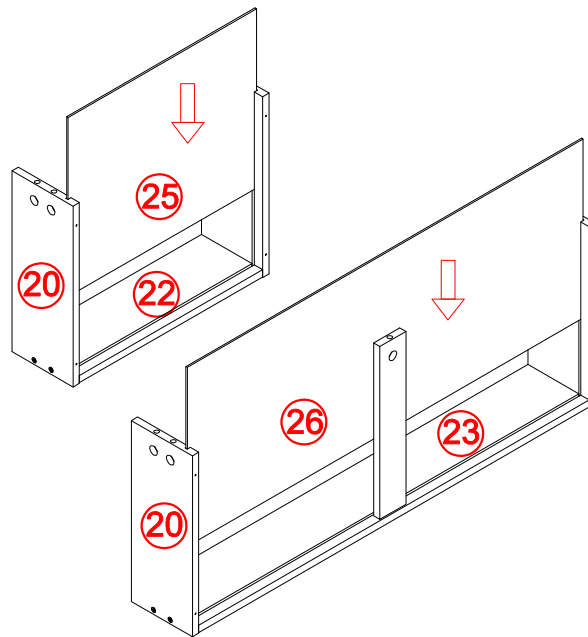
STEP 36



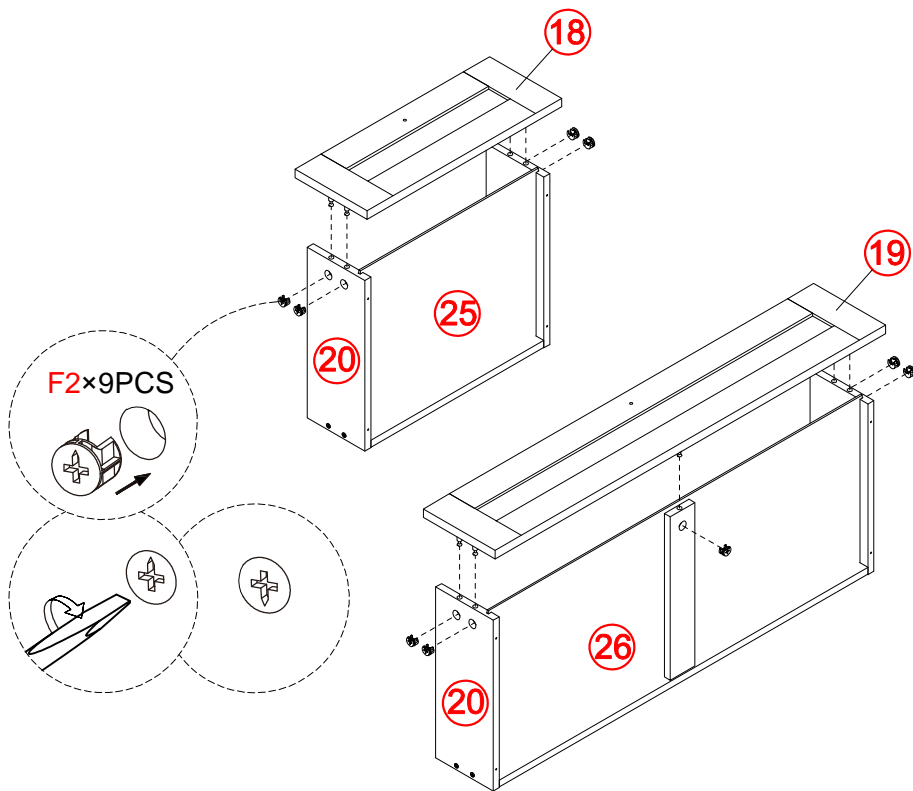
STEP 37



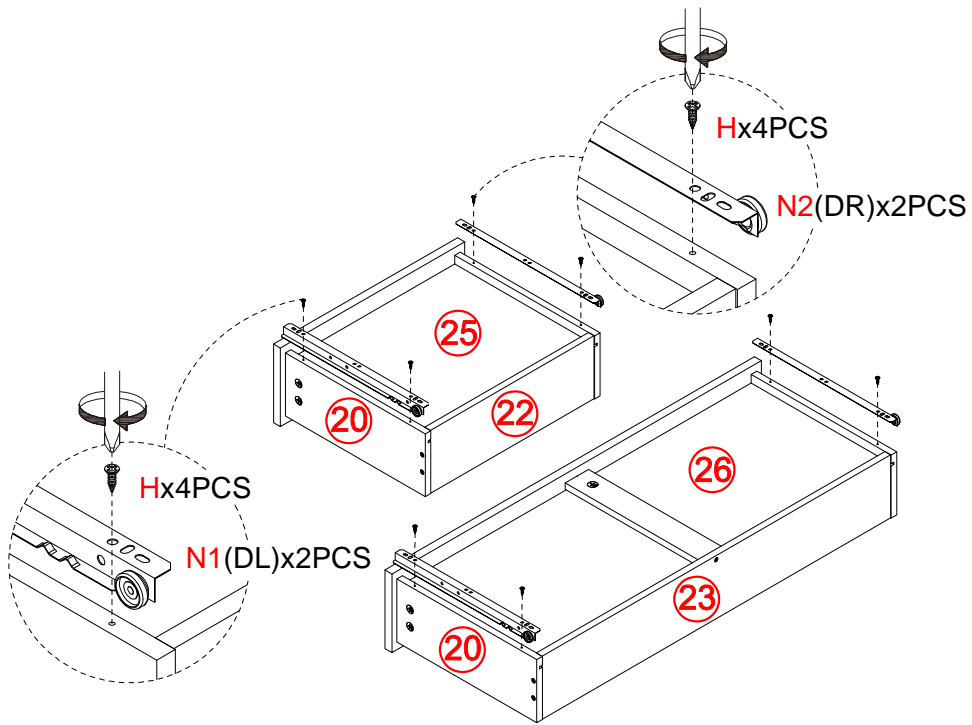
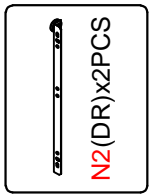
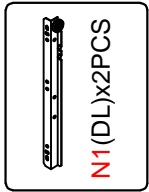
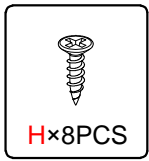
STEP 38



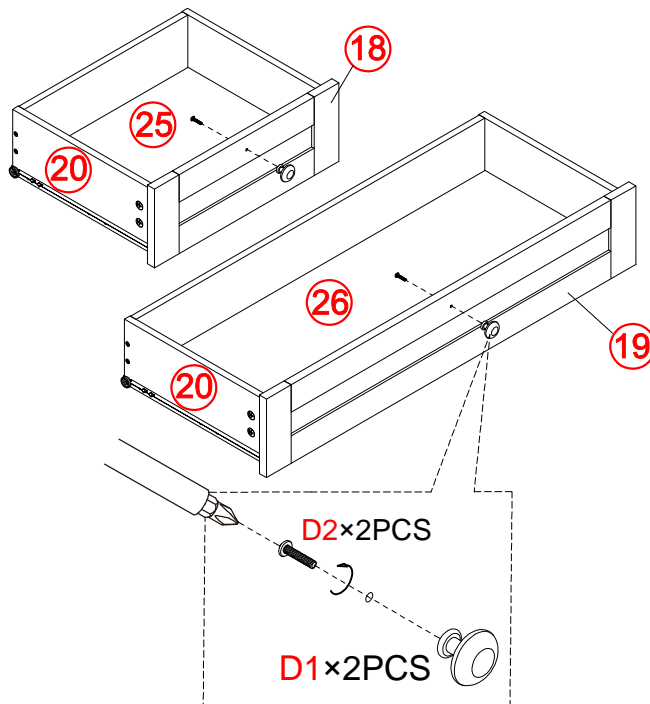
STEP 39



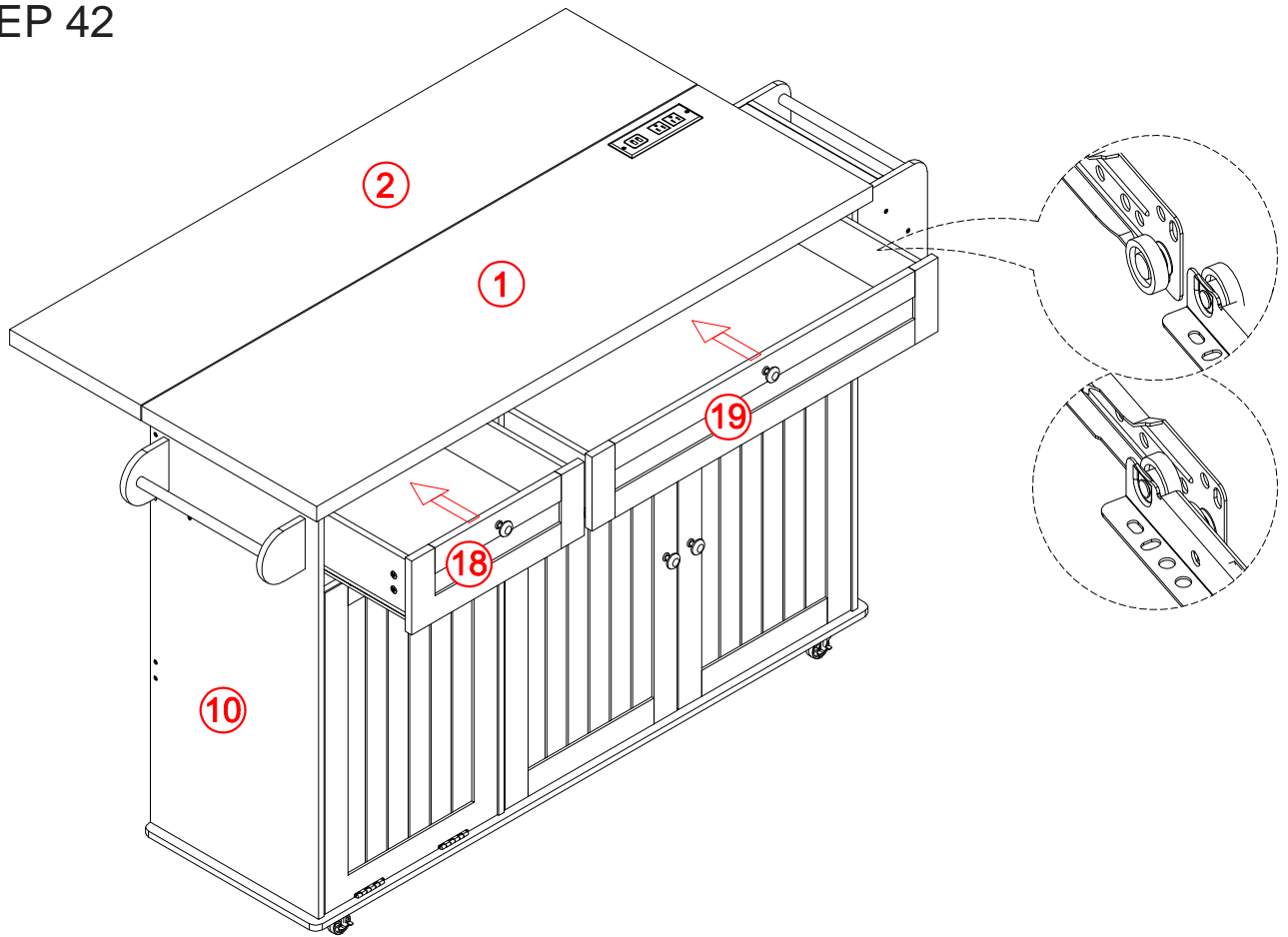
STEP 40



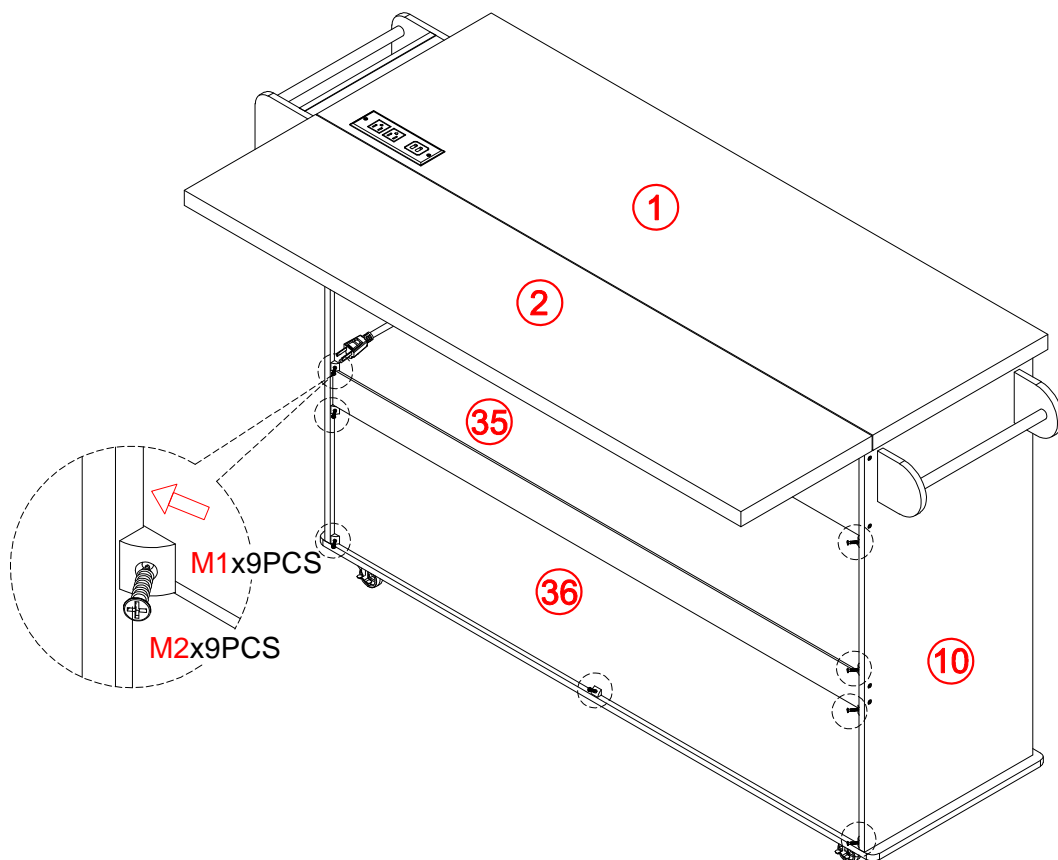
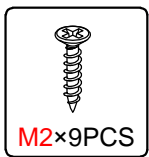
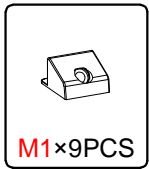
STEP 41



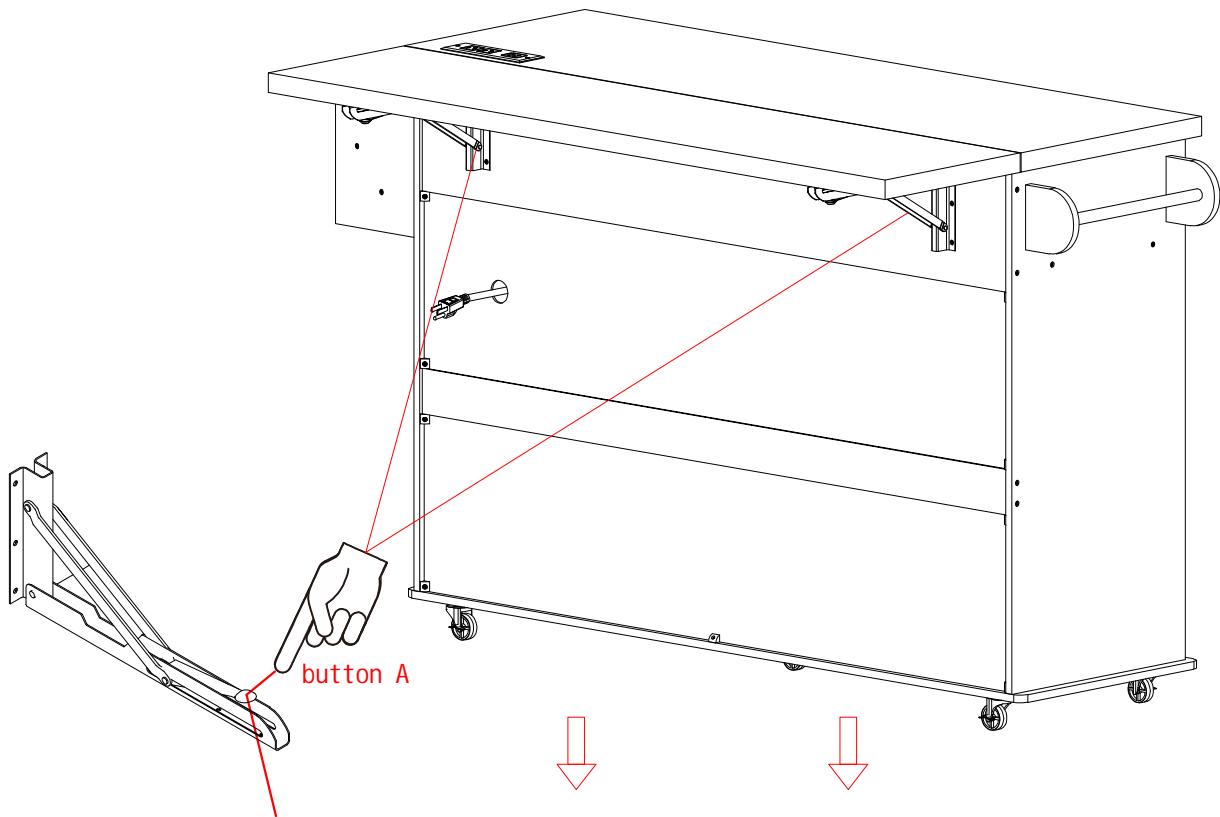
STEP 42



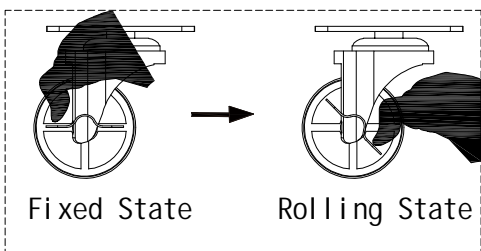
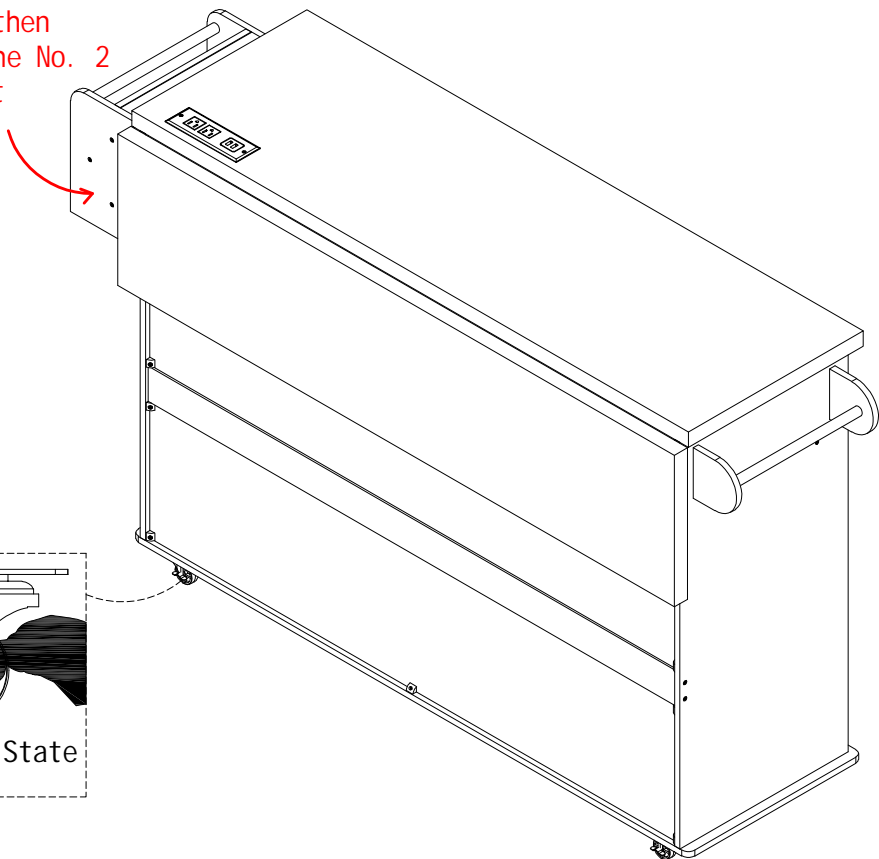
STEP 43



STEP 44



Note: 1. While holding down the A key, lift it slightly, then press it down to make the No. 2 board extend and retract



Fixed State

Rolling State