

**LEFTON<sup>®</sup>**  
INSTALLATION MANUAL

**Concealed Thermostatic  
Shower System with Rain Shower**

**SSWM2501  
(Concealed Shower System Installation)**

# Congratulations on the purchase of your new Lefton Shower System!

Please keep the box and packaging materials until your product is completely installed. If you have any questions, require technical assistance, or have any problems with your product, please get in touch with our Customer Service at [customer@Leftonhome.com](mailto:customer@Leftonhome.com).

## Tools Required



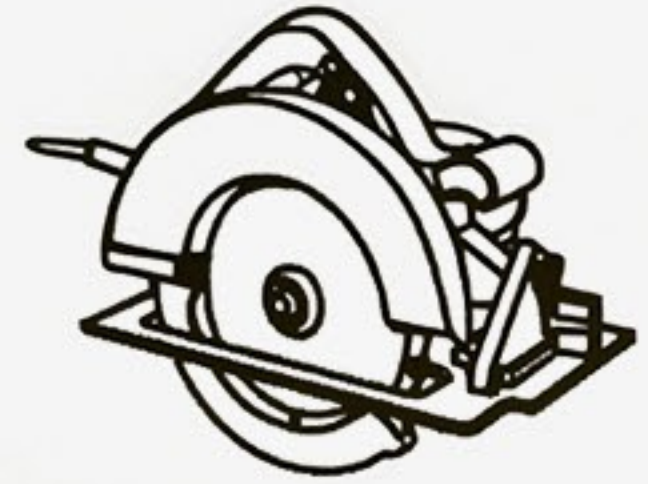
Safety Goggles



Drill



Waterproof Sealant



Saw



Adjustable Wrench



Tape Measure



Marker



Gloves



Phillips Screwdriver

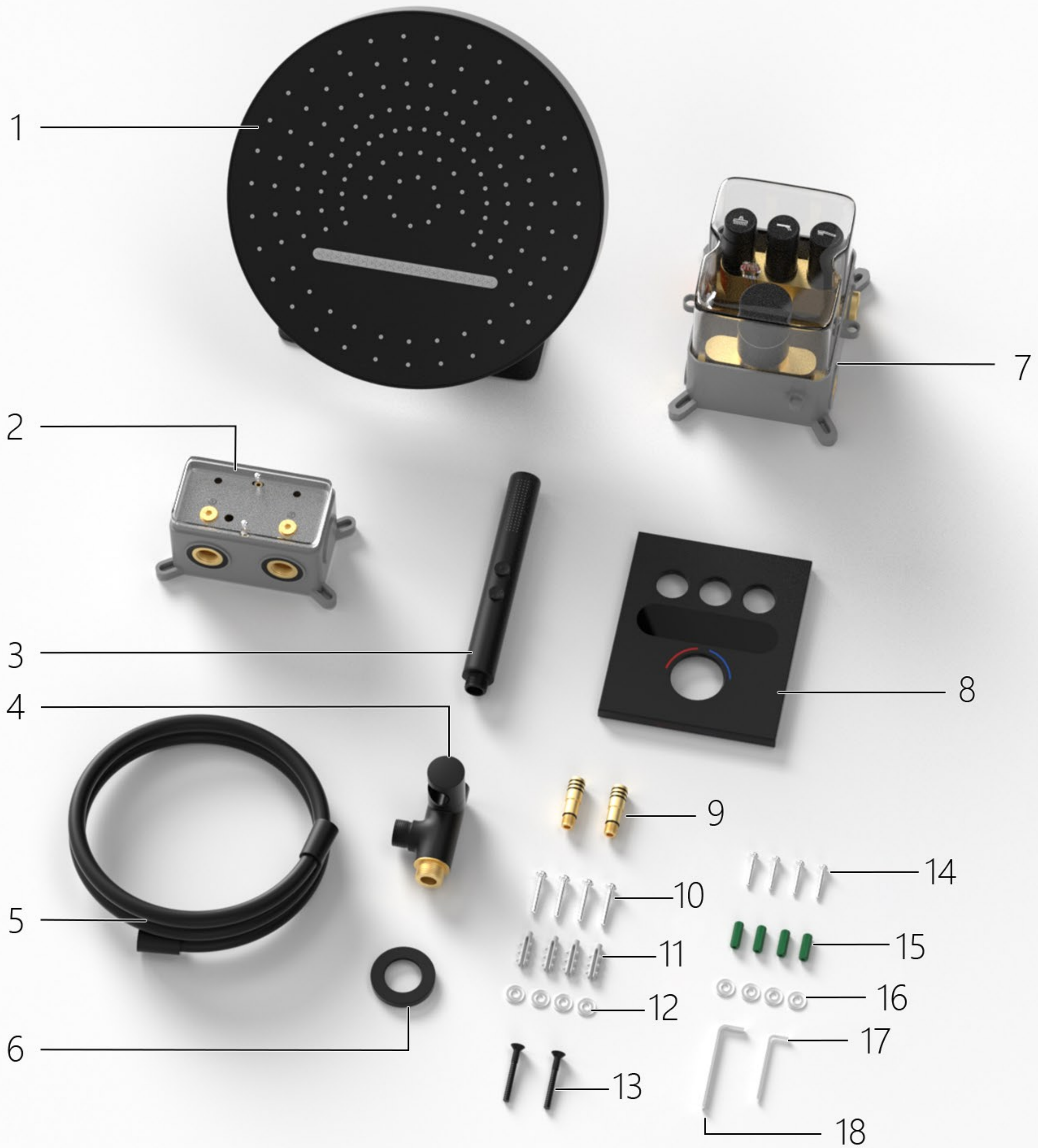


Thread Seal Tape



Level

# Parts List

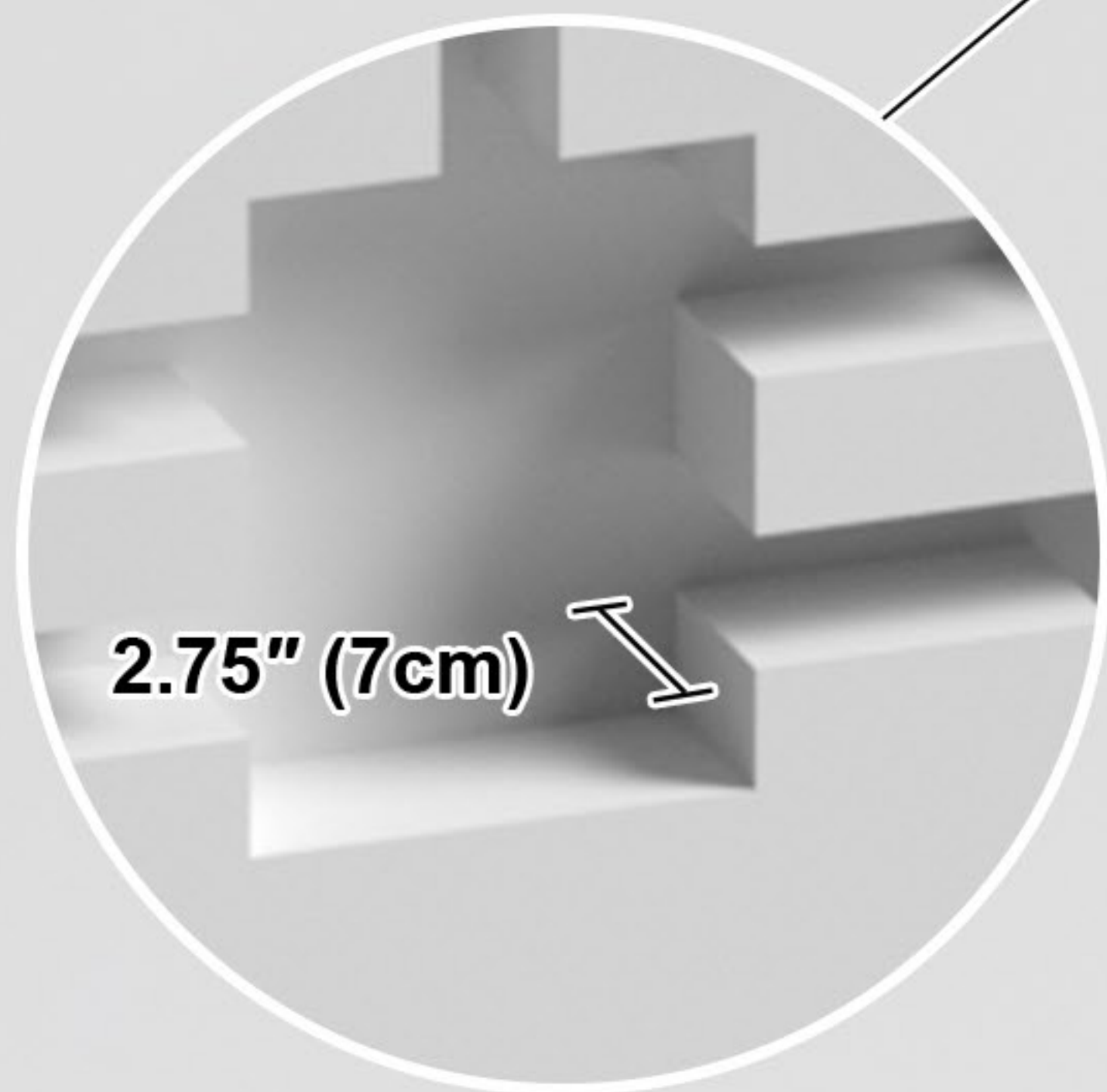


1. Rain Shower Head
2. Shower Head Installation Box
3. Hand Shower
4. Hand Shower Holder
5. Shower Hose
6. Mounting Ring for Hand Shower Holder
7. Rough-in Box
8. Temperature Display Panel
9. Shower Head Connector

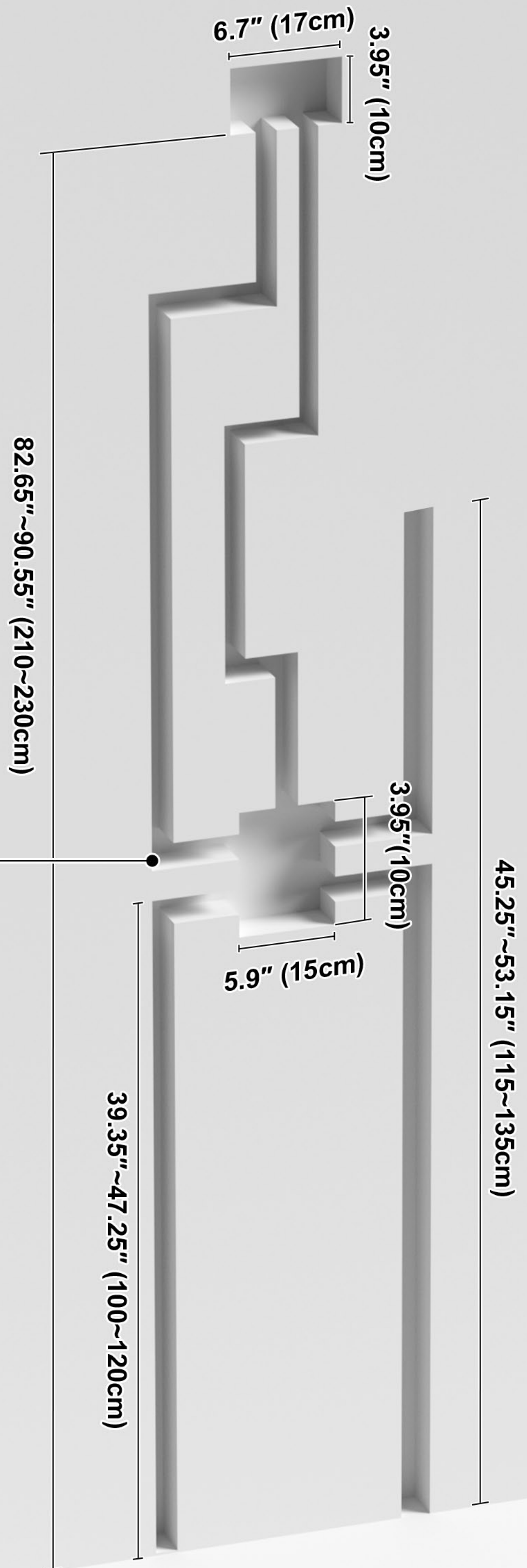
10. Mounting Screws for Shower Head Box
11. Wall Anchors for Shower Head Box
12. Metal Washers for Shower Head Box
13. Mounting Screw for Shower Head
14. Mounting Screws for Rough-in Box
15. Wall Anchors for Rough-in Box
16. Metal Washers for Rough-in Box
17. Small Hex Wrench
18. Large Hex Wrench

# Wall Slot Size Diagram

**!** Mark the cutting lines on the wall with a marker before cutting.



Depth of Wall Groove:  
**2.75" (7cm)**

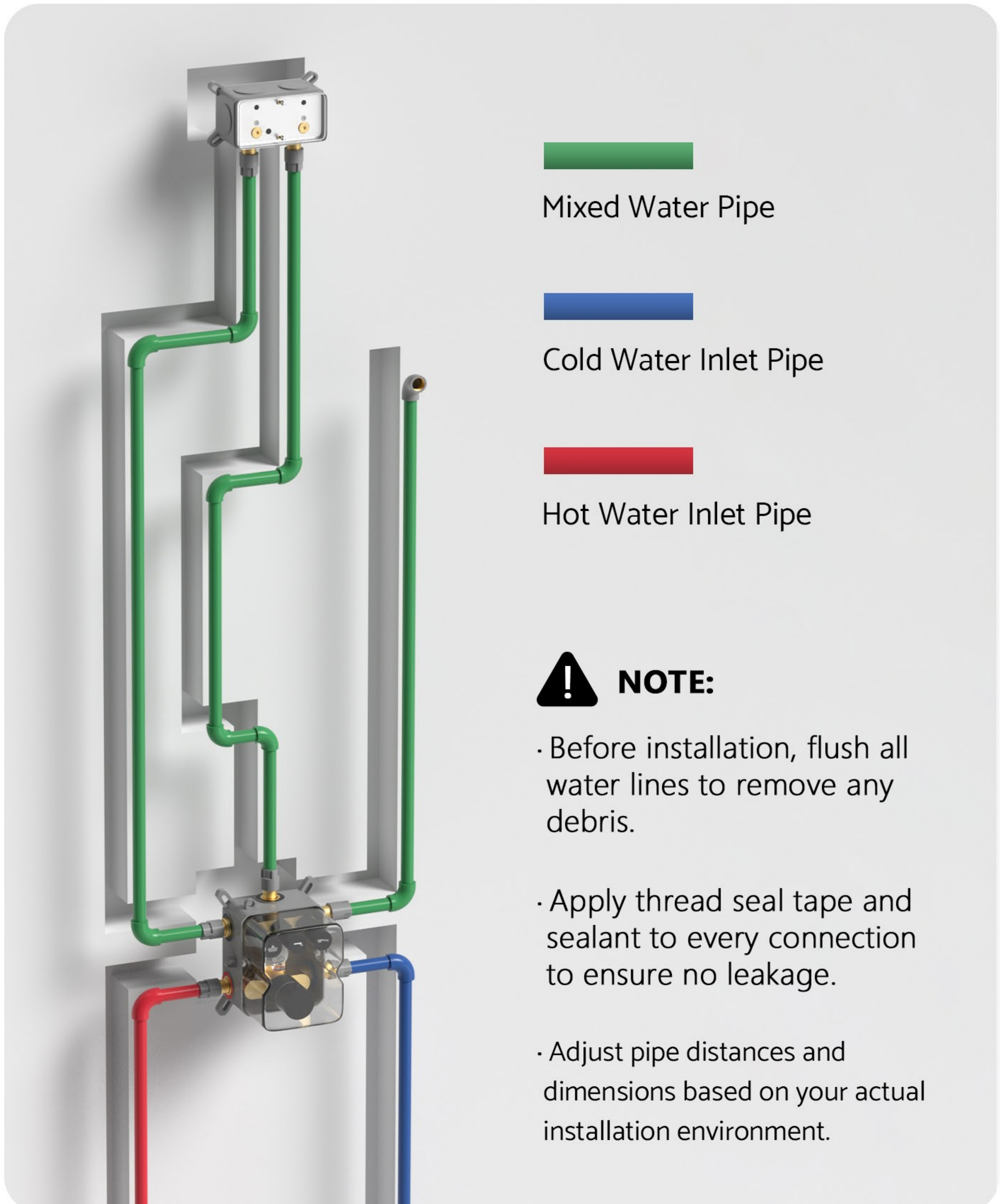


**NOTE:** The size may vary depending on the actual installation. The dimensions shown are for reference only.

# Concealed Shower System Installation

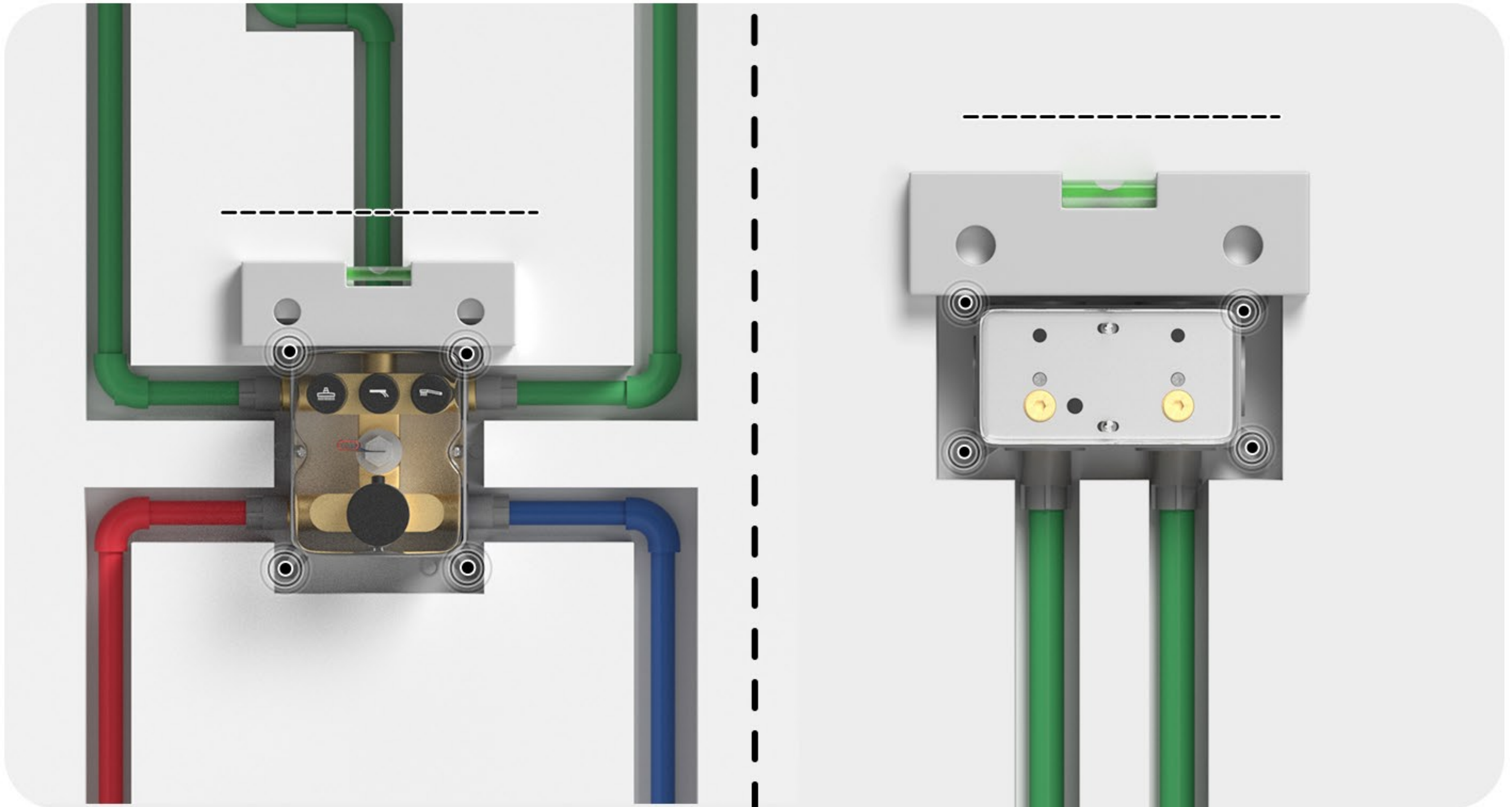
## Step 1. Connect the Pipes

- Connect the hot and cold water inlets to the rough-in box as shown in the diagram.
- Attach the mixed water outlet to both the shower head box and the hand shower outlet.



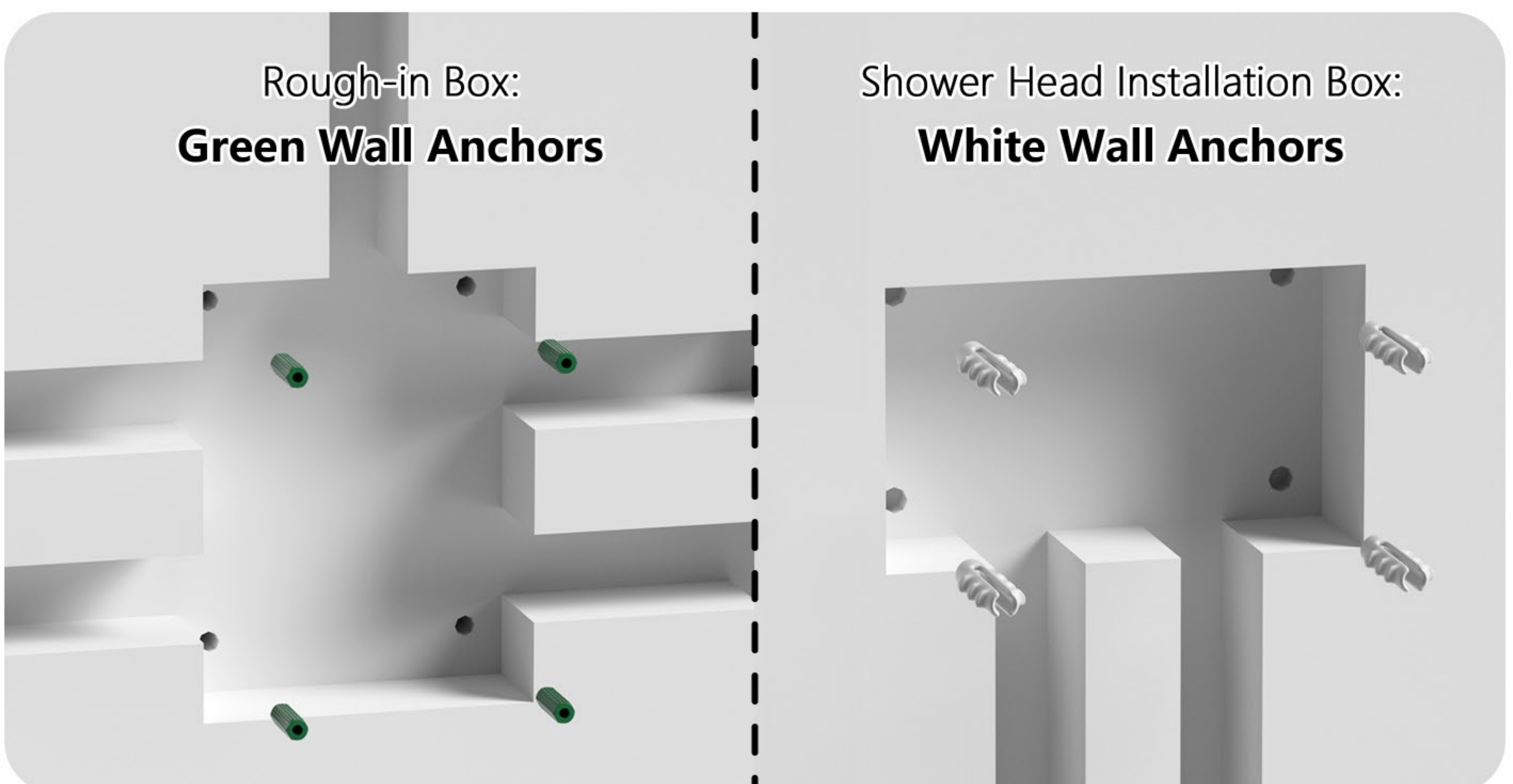
## Step 2. Level and Mark the Mounting Points

- Use a level to make sure both the shower head installation box and rough-in box are perfectly horizontal.
- Mark all drilling points on the wall with a marker.



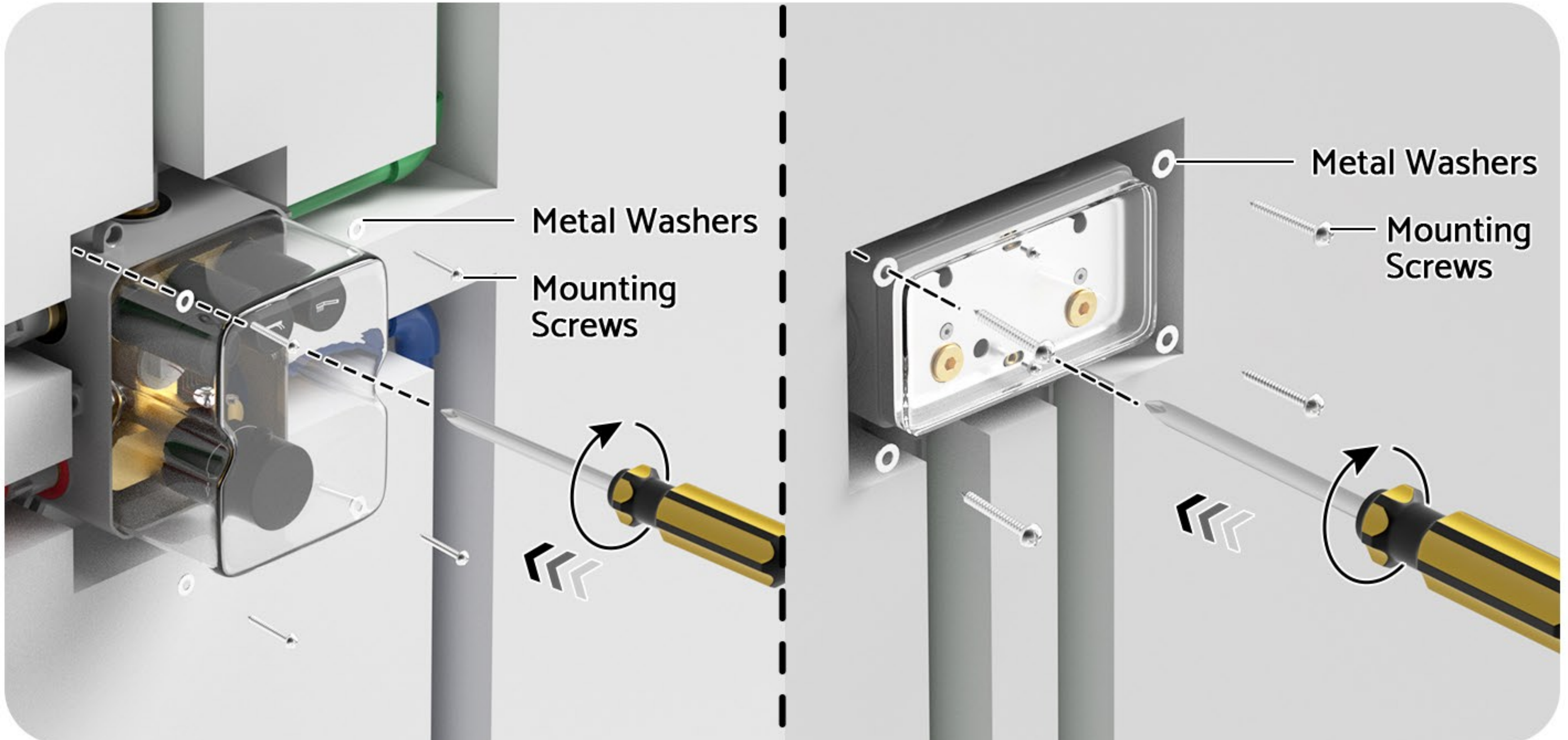
## Step 3. Install Wall Anchors

- Remove the rough-in unit (including the rough-in box and the shower head installation box).
- Drill holes at the marked points, then insert the wall anchors securely into the wall.



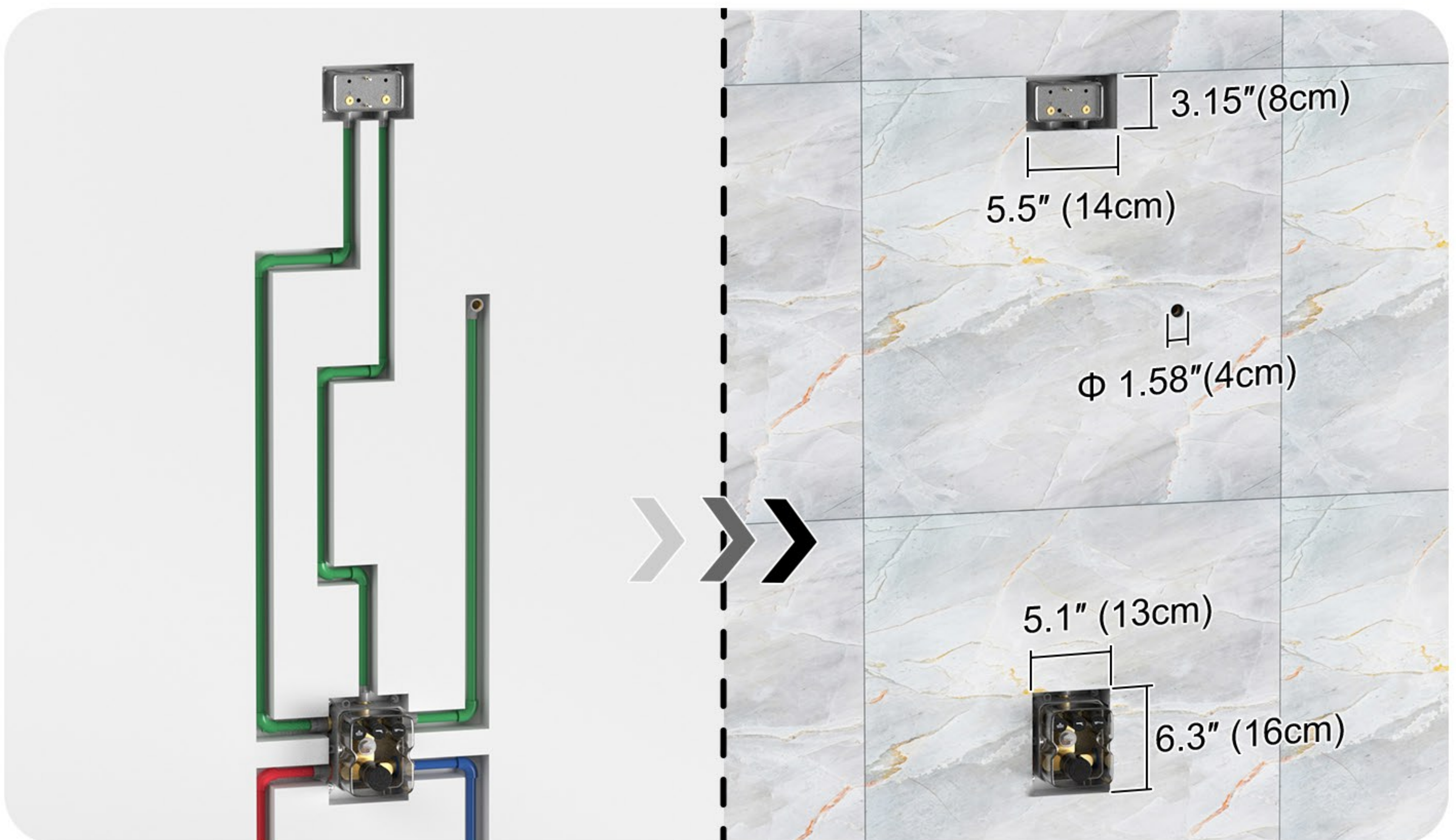
## Step 4. Secure the Boxes

- Place the rough-in and pipes unit into the wall recess.
- Fasten it by tightening the mounting screws and metal washers in sequence using a Phillips screwdriver.



## Step 5. Apply Wall Tiles

- Install the wall tiles, keeping proper openings for the boxes according to the diagram.



**NOTE:** Check for any pipe leakage before applying tiles.

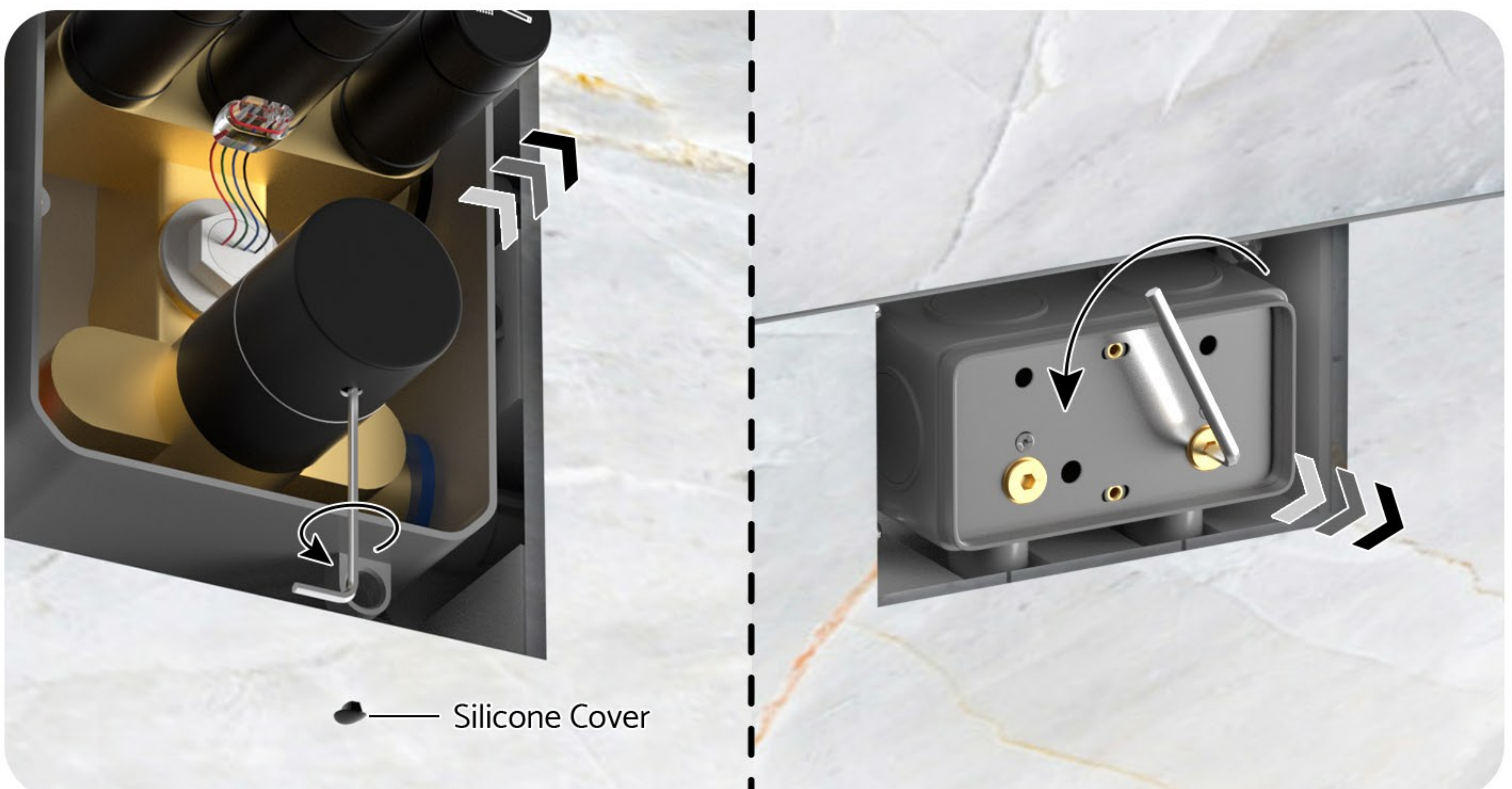
## Step 6. Remove Protective Covers

- After the wall finish is complete, remove the transparent protective covers from both the shower head installation box and rough-in box using a Phillips screwdriver.



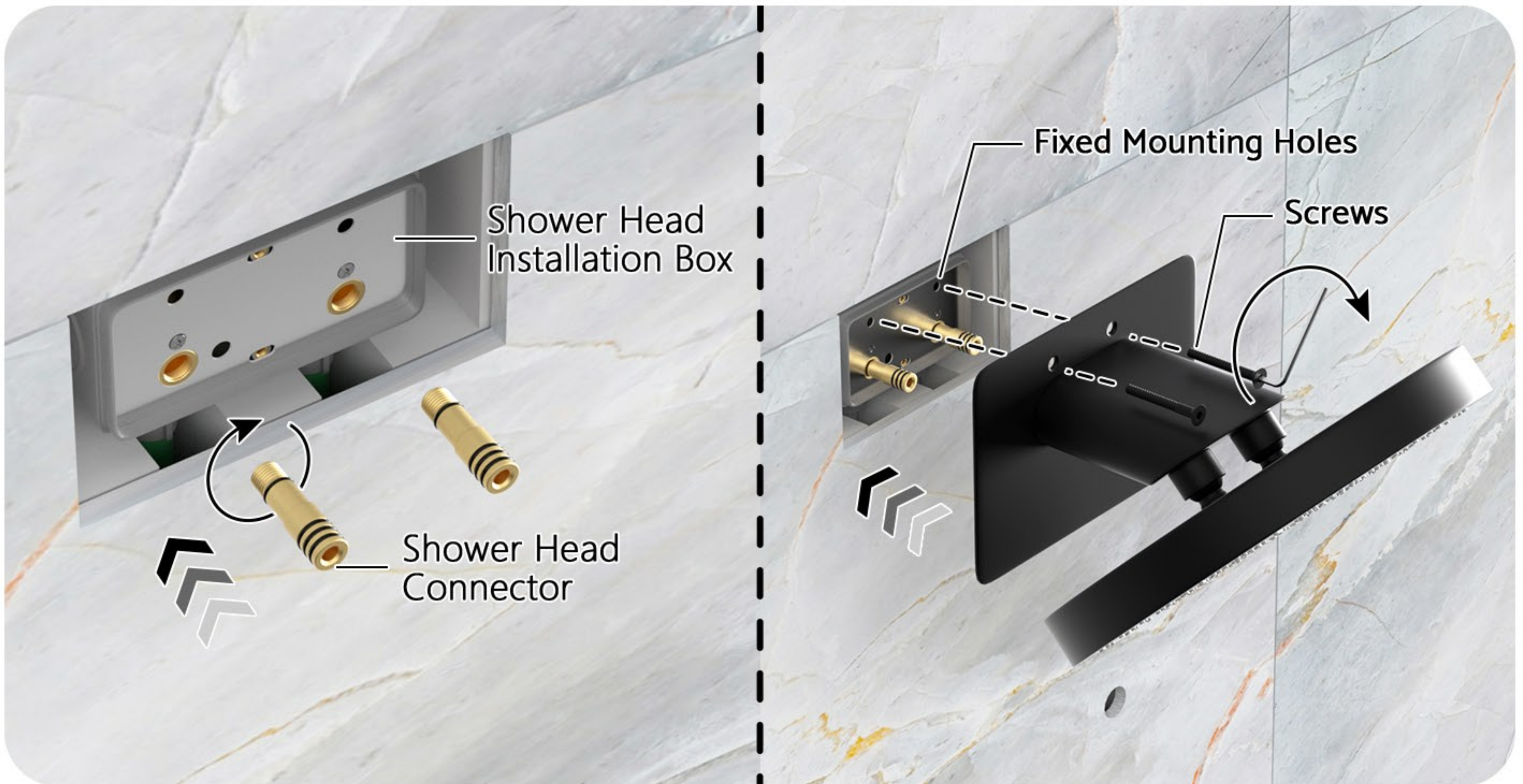
## Step 7. Remove the Handle and Screw Cover

- Open the silicone cap on the handle at the rough-in box and use a small hex wrench to turn it counterclockwise to remove the handle.
- Remove the screw cover at the shower head installation box by turning it counterclockwise with a large hex wrench.



## Step 8. Install the Shower Head

- Screw the shower head connector clockwise into the shower head Installation box.
- Insert the shower head into the connector and tighten the set screw clockwise with a large hex wrench.



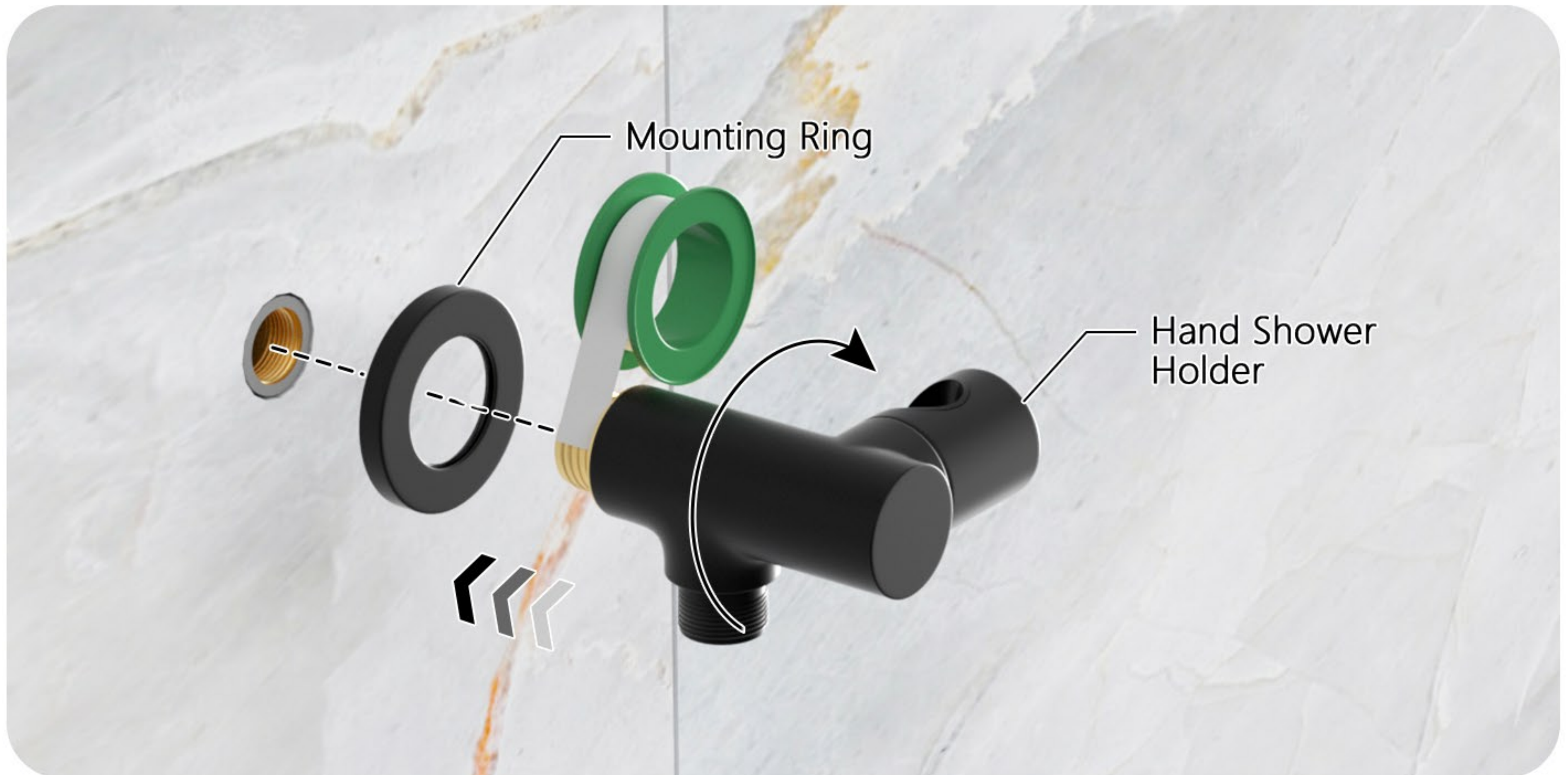
## Step 9. Install the Temperature Display Panel

- Connect the plug from the temperature display panel to the rough-in box as shown in the diagram. Gently press the panel onto the wall until it fits securely.
- Tighten the handle clockwise with a small hex wrench, then place the silicone cover back over the handle.



## Step 10. Install the Hand Shower Holder

- Slide the mounting ring onto the hand shower holder. Wrap the threaded end with thread seal tape.
- Screw the holder clockwise into the wall fitting until it is level and securely positioned.



## Step 11. Connect the Hose

- Remove the protective caps from both ends of the hose. Connect one end to the hand shower holder and the other end to the hand shower. Tighten both ends by hand until they are firmly secured.



## Step 12. Complete the Installation

- Turn on the main water supply. Check for any leaks and ensure all spray modes and temperature controls are functioning properly.



# Maintenance & Warranty

## Shower System Maintenance

Regular maintenance is crucial for keeping your shower system in optimal condition.

### • Regular Cleaning

- Wipe all surfaces with a soft cloth after each use to prevent water spots and limescale buildup.
- Avoid using abrasive cleaners, scouring pads, or chemical solvents that may damage the surface finish.
- For stubborn stains, use a mild soap solution and rinse thoroughly with clean water.

### • Temperature Display Panel

Wipe gently with a soft, damp cloth—do not use alcohol or cleaning sprays. Avoid direct water impact on the display.

### • Long-Term Maintenance

Turn off the main water supply if the shower will not be used for an extended period.

## Shower System Warranty

5-year Limited (residential) and 2-year Limited (commercial) on the structure, finish, electronic parts, and cartridge.

5-year Limited (residential and commercial) on the mechanical components, such as but not limited to braided supply line hoses, and the LED function.

**In requesting warranty service, please be ready to provide:**

1. Proof of purchase
2. The item number & Qty of the defective item(s)
3. A complete description of the problem

**For more information, please check our website or contact us.**

**LEFTON<sup>®</sup>**

[www.leftonhome.com](http://www.leftonhome.com)

