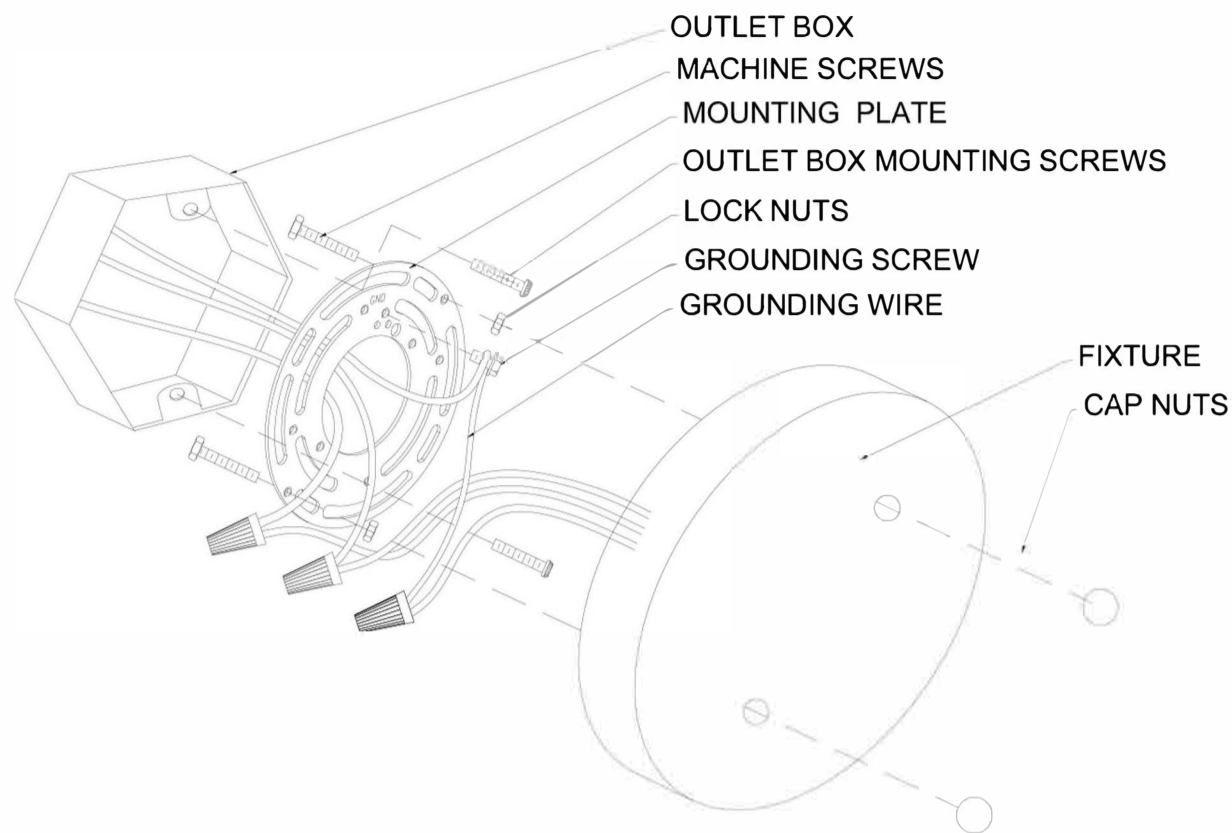


1. Put the Glass shade on the socket cluster fitter and get the wire passing through the Glass hole, HR-658 Holder, and Ring,
2. Assemble the Glass, HR-658 Holder and the socket cluster together by tightening the ring on the socket Cluster thread nipple
3. Passing the wires through the rods and get rods assembled onto the top threaded nipple in getting your desired height, then, assemble the canopy.

PENDANT HARDWARE

GLASS OPTIONS:

STANDARD MOUNTING PLATE INSTALLATION

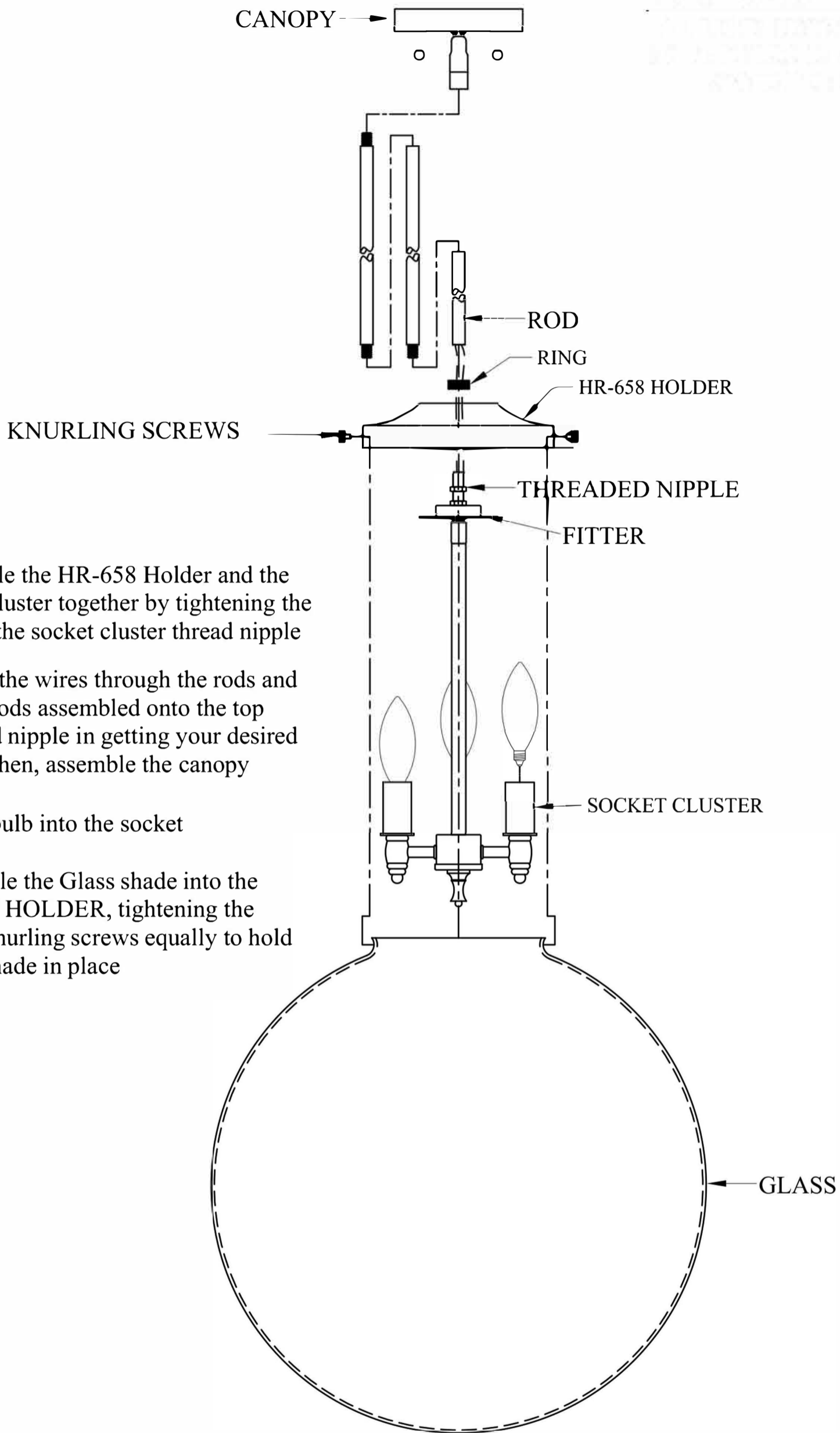


CAUTION :DISCONNECT POWER DURING NSTALLATION

- 1.) If you are replacing an existing fixture, disconnect and remove the old fixture. Expose the supply wiring from the outlet box.
- 2.) Thread the machine screws into the opposite side of the mounting plate from the green ground screw, lock the machine screws into place with lock nuts.
- 3.) Fasten the mounting plate to the outlet box using the two screws supplied with the outlet box.
- 4.) Spread the electrical wires so that the black wires are on one side of the outlet box and the white wires are on the other side.
- 5.) Grounding instructions:

A.) On fixtures where mounting plate is provided with a green ground screw and two raised dimples, Wrap ground wire from outlet box around green ground screw and tighten.

- B.) On fixtures where mounting plate is provided with a green ground wire attached. Connect mounting plate ground wire to ground wire from outlet box with wire connector (not provided). If fixture is provided with ground wire, Connect fixture ground wire to ground wire from outlet box with wire connector (not provided). After following the above steps. Never connect ground wire to black or white power supply wires.
- 6.) To make electrical connections: Connect the white wire(s) from fixture to the white wire of this outlet box. Connect the black wire (s) from the fixture to the black wire of the outlet box. NOTE: Black outlet box wire may be red, round & smooth and/or have copper conductor. White outlet box wire may be square & ridged and/or have a silver conductor.
- 7.) Place fixture against mounting surface allowing the machine screws to pass through the fixture canopy. Then, secure with canopy nuts.

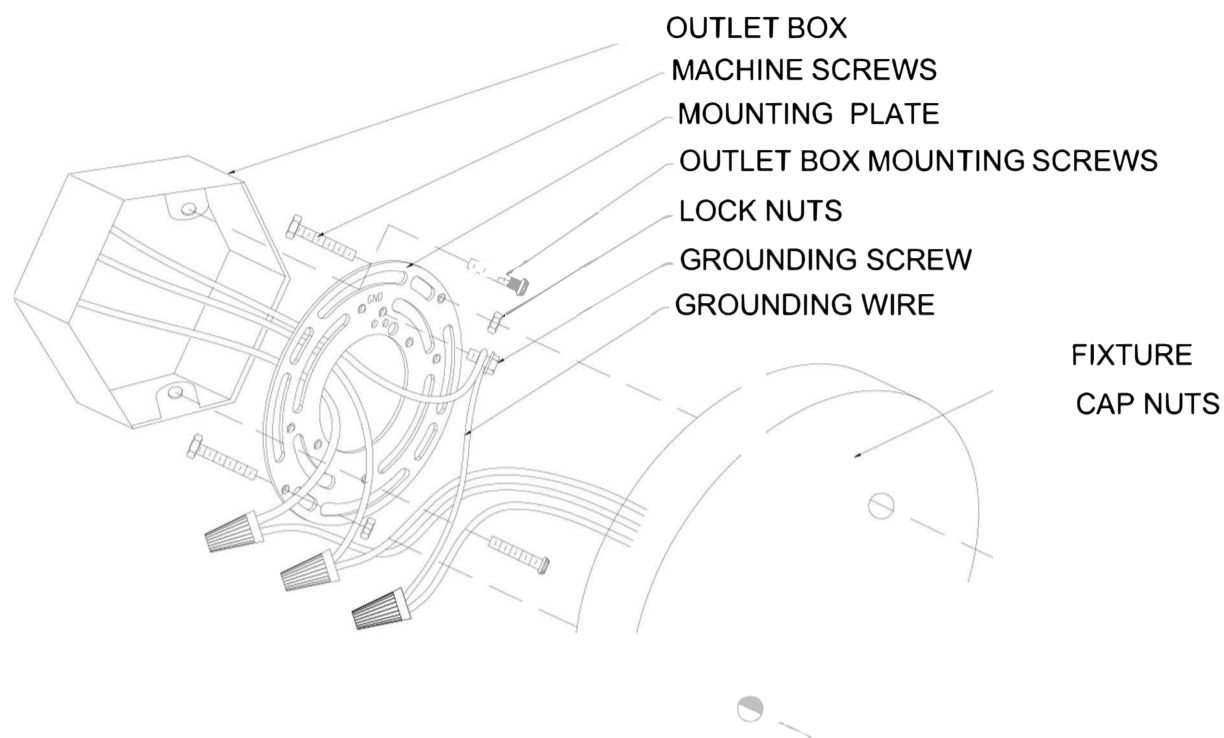


1. Assemble the HR-658 Holder and the socket cluster together by tightening the ring on the socket cluster thread nipple
2. Passing the wires through the rods and get the rods assembled onto the top threaded nipple in getting your desired height, then, assemble the canopy
3. Install bulb into the socket
4. Assemble the Glass shade into the HR-658 HOLDER, tightening the 3PCS knurling screws equally to hold Glass shade in place

PENDANT HARDWARE

GLASS OPTIONS:

STANDARD MOUNTING PLATE INSTALLATION



CAUTION :DISCONNECT POWER DURING NSTALLATION

- 1.) If you are replacing an existing fixture, disconnect and remove the old fixture. Expose the supply wiring from the outlet box.
- 2.) Thread the machine screws into the opposite side of the mounting plate from the green ground screw, lock the machine screws into place with lock nuts.
- 3.) Fasten the mounting plate to the outlet box using the two screws supplied with the outlet box.
- 4.) Spread the electrical wires so that the black wires are on one side of the outlet box and the white wires are on the other side.
- 5.) Grounding instructions:
 - A.) On fixtures where mounting plate is provided with a green ground screw and two raised dimples, Wrap ground wire from outlet box around green ground screw and tighten.

- B.) On fixtures where mounting plate is provided with a green ground wire attached. Connect mounting plate ground wire to ground wire from outlet box with wire connector (not provided). If fixture is provided with ground wire, Connect fixture ground wire to ground wire from outlet box with wire connector (not provided). After following the above steps. Never connect ground wire to black or white power supply wires.
- 6.) To make electrical connections: Connect the white wire(s) from fixture to the white wire of this outlet box. Connect the black wire (s) from the fixture to the black wire of the outlet box. NOTE: Black outlet box wire may be red, round & smooth and/or have copper conductor. White outlet box wire may be square & ridged and/or have a silver conductor.
- 7.) Place fixture against mounting surface allowing the machine screws to pass through the fixture canopy. Then, secure with canopy nuts.