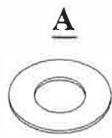
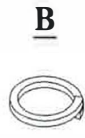




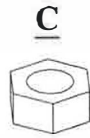
Phillips
Screwdriver
(Not provided)



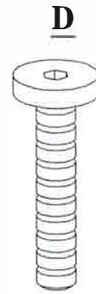
4 PCS



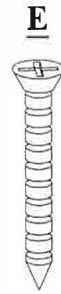
4 PCS



4 PCS



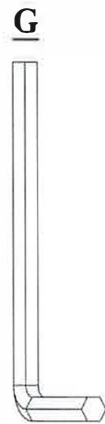
4 PCS



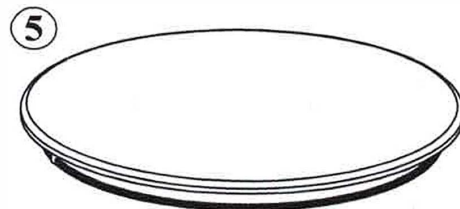
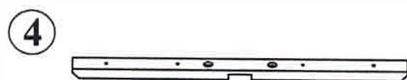
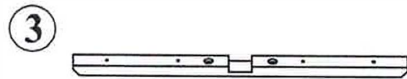
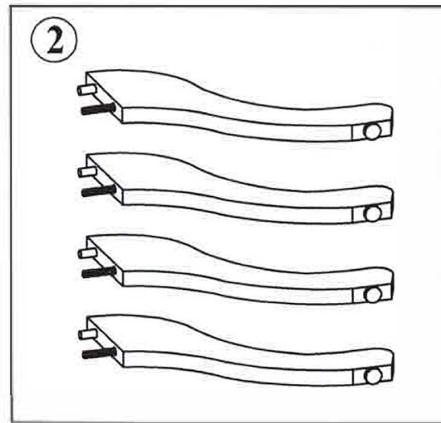
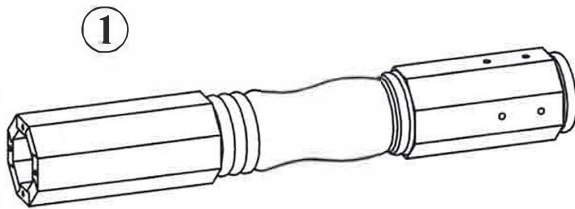
8 PCS






1 PC

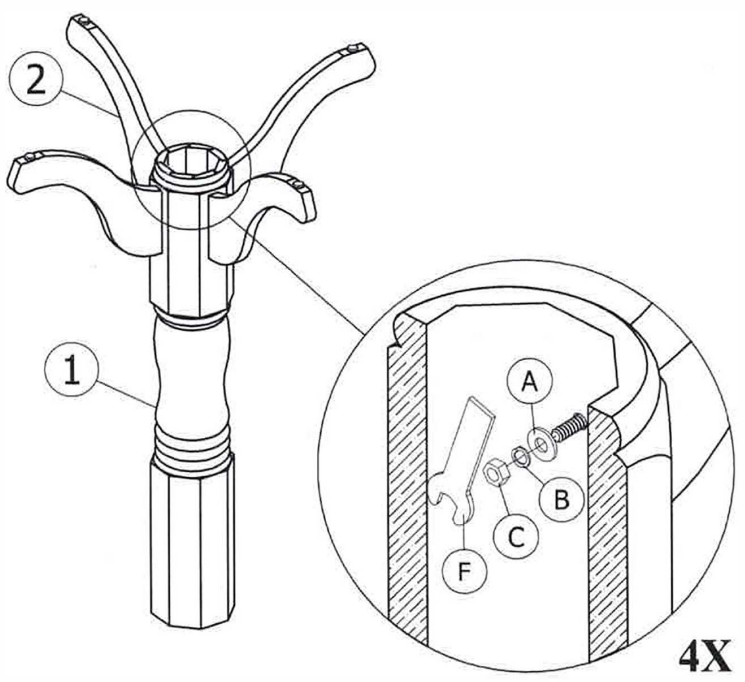


1 PC



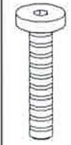
01

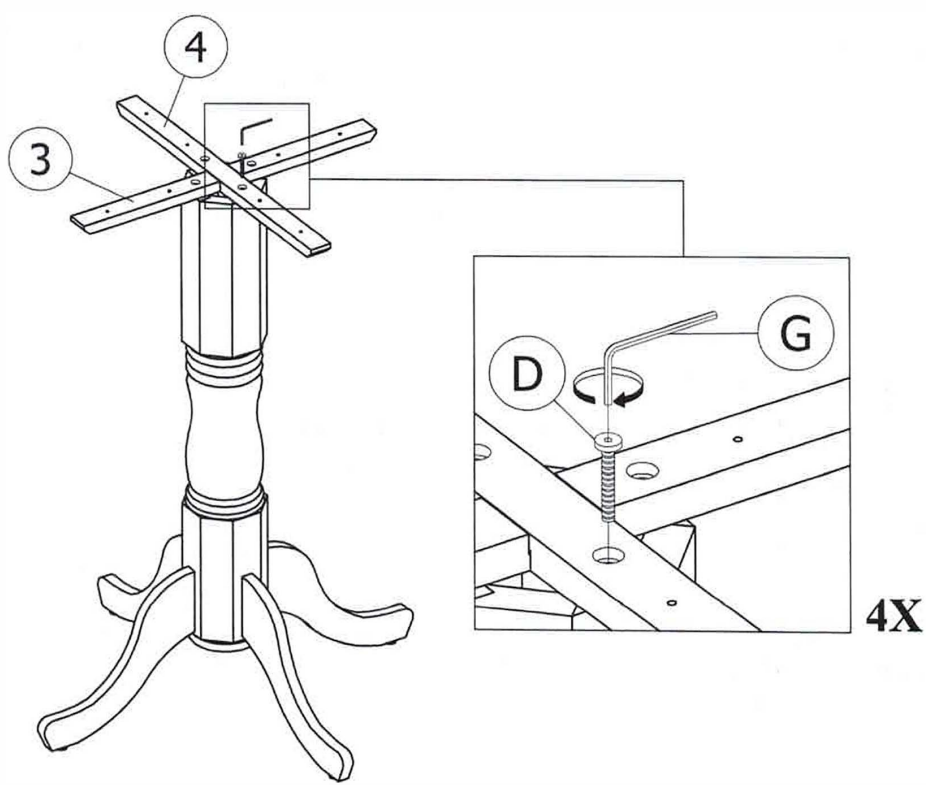
A  4 PCS	B  4 PCS	C  4 PCS
--	--	--



TIGHTEN HEX NUT COMPLETELY.

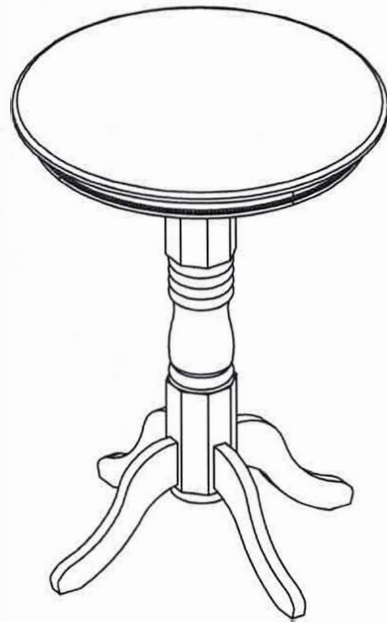
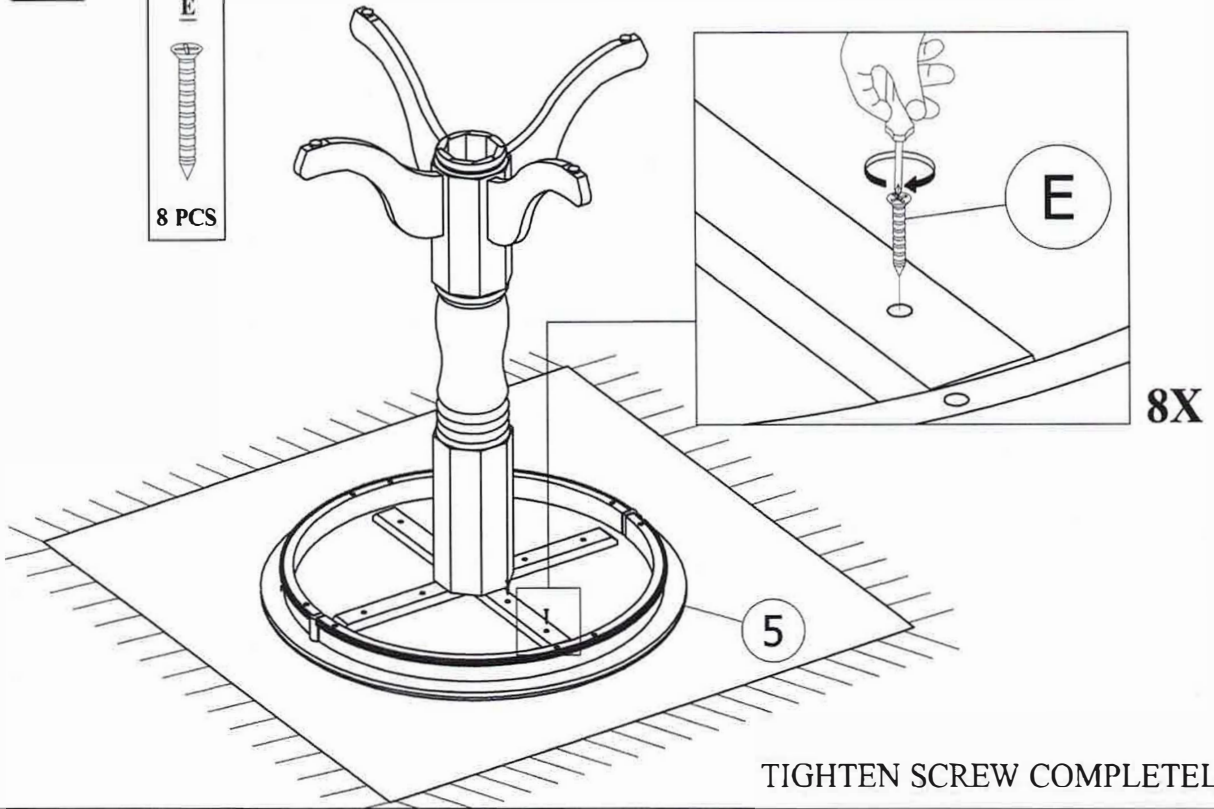
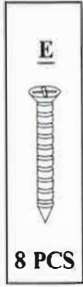
02

D  4 PCS
--



TIGHTEN BOLT COMPLETELY.

03



BE SURE TO CHECK ALL BOLTS ARE SECURELY TIGHTENED PRIOR USING THIS TABLE