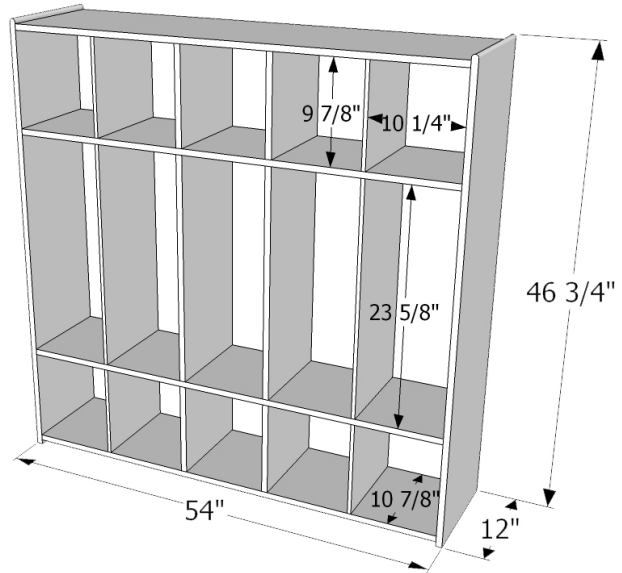


5 Section Locker

46 3/4" H x 46 3/4" W x 12" D



GREENGUARD® Gold certified. Five double hook sections with storage above and below make this a must have locker. 100% Plywood with mortise & secure fastener construction for exceptional strength and durability. Tuff-Gloss™ UV Finish provides unsurpassed protection and beauty. Unassembled or assembled options available. 46 3/4" H x 46 3/4" W x 12" D.

- GREENGUARD® Gold certified
- 100% Birch Plywood on all surfaces and backs
- No MDF, hardboard or particleboard
- Fully rounded and sanded corners for absolute maximum safety
- Recessed backs for added strength, stability, and beauty
- Exclusive Tuff-Gloss™ UV finish
- Qualifies for LEED® credit IEQ 4.5
- CPSIA compliant - No lead or phthalates
- Meet or exceed CARB II and CHPS requirements
- Made in the USA by



Typical Recessed Plywood Backs



Typical Corners & Edges



Typical Construction