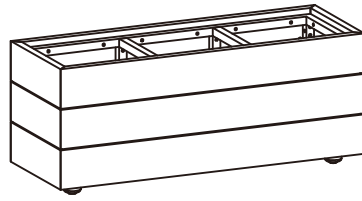


# ASSEMBLY INSTRUCTIONS OUTDOOR END TABLE

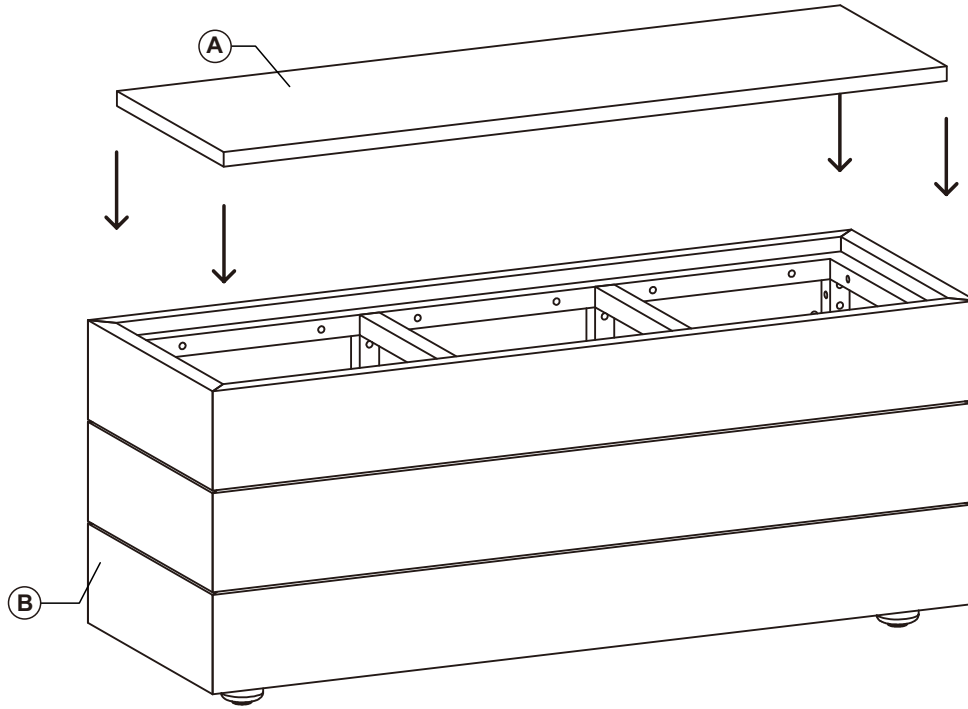


A = 1 Pc



B = 1 Pc

1



2

