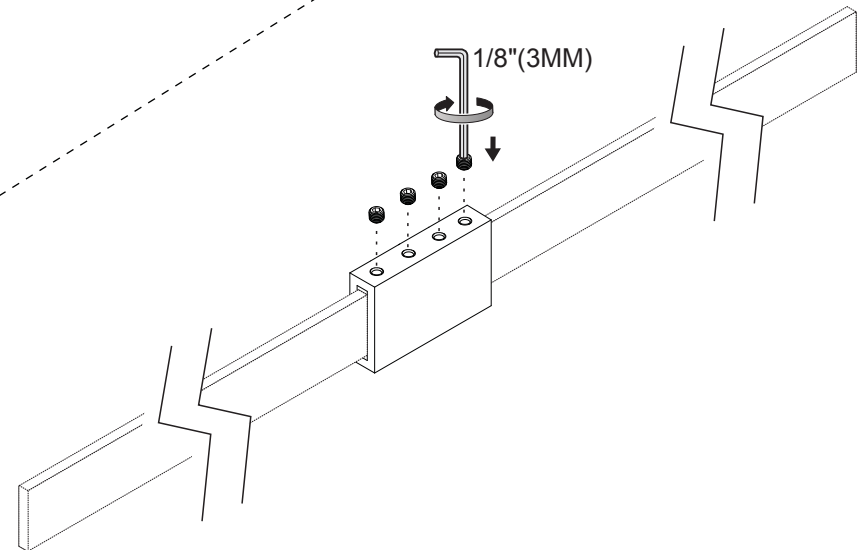
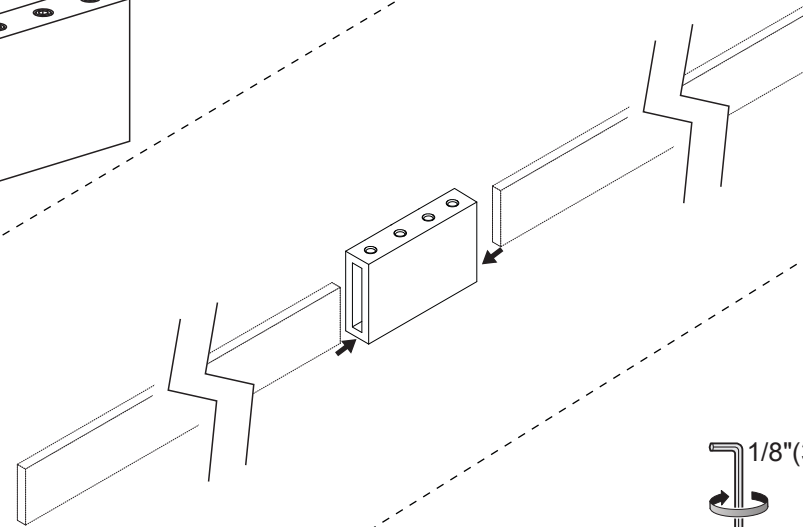
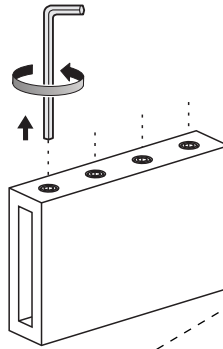
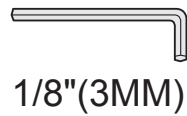
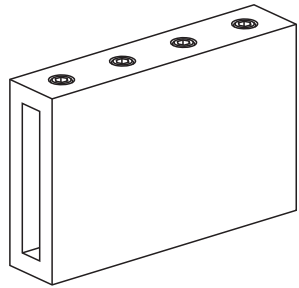
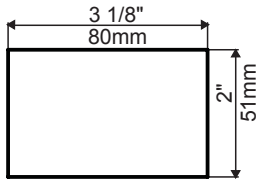


Installation Manual

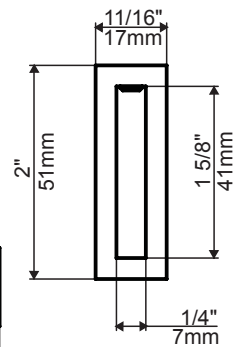
ADAPTER02



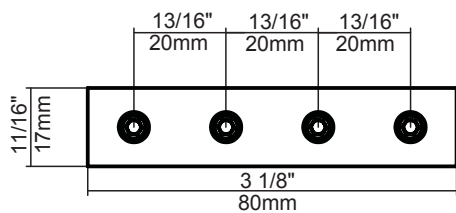
Front view



Side view



Top view



JuBest

Website: www.Ju-Best.com

Feel Free to Contact Us: support@ju-best.com