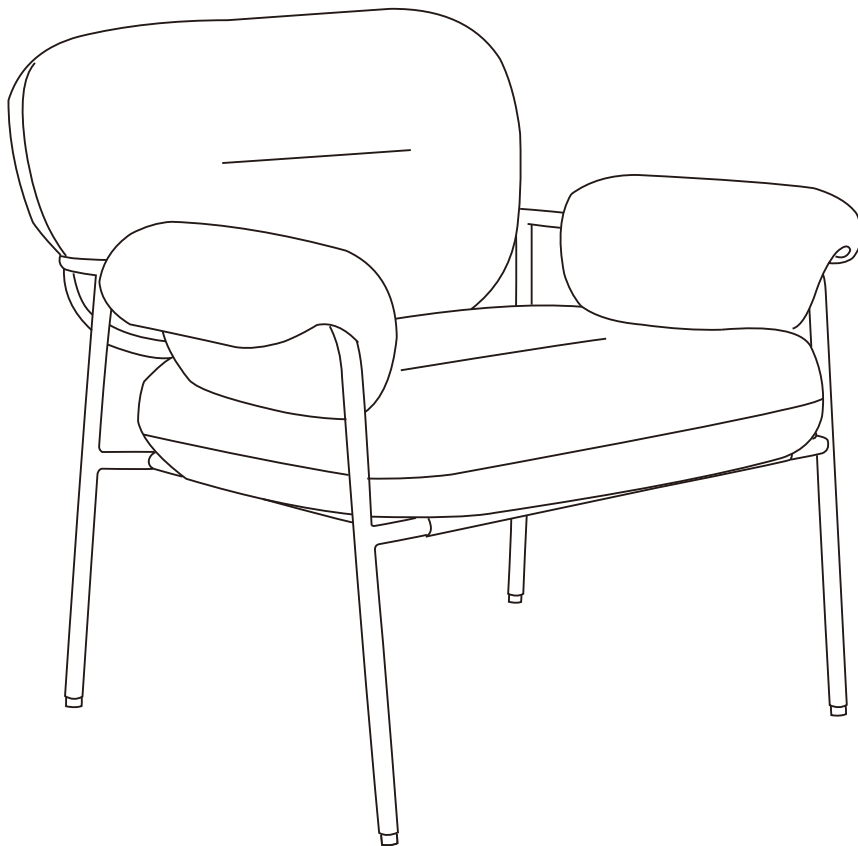


# Instruction Manual

## Occasional Arm Chair



# CONTENTS

---

<b>Safety and care advice</b>	<b>1</b>
<b>Components</b>	<b>2</b>
<b>Assembly instructions</b>	<b>4</b>
<b>Copyright</b>	<b>8</b>

---

# ⚠ SAFETY AND CARE ADVICE ⚠

---

## PLEASE READ THESE INSTRUCTIONS CAREFULLY AND KEEP FOR FUTURE REFERENCE

- **Warning:** Please lift with care.
- Check you have all the components and tools listed on pages 2 and 3.
- Remove all fittings from the plastic bags and separate them into their groups.
- Keep children and animals away from the work area, small parts could choke if swallowed.
- Make sure you have enough space to lay out the parts before starting.
- Do not stand or put weight on the product, this could cause damage.
- Assemble the item as close to its final position (in the same room) as possible.

- Assemble on a soft level surface to avoid damaging the unit or your floor (use opened out unit carton).



- We do not recommend the use of power drill/drivers **for inserting screws**, as this could damage the unit. Only use hand screwdrivers.
- Dispose of all packaging carefully and responsibly.

## CARE AND MAINTENANCE

---

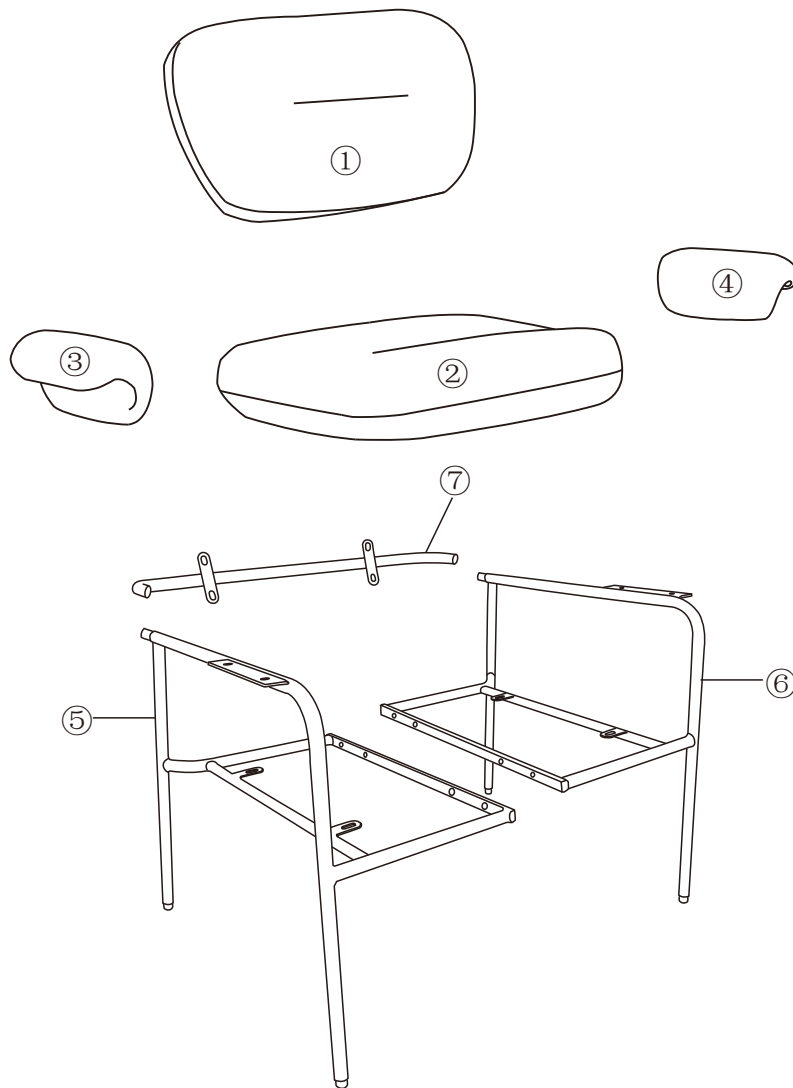
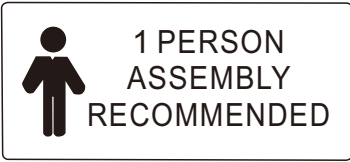
- Only clean using a damp cloth and mild detergent, do not use bleach or abrasive cleaners.
- From time to time check that there are no loose screws on this unit.

- This product should not be discarded with household waste. Take to your local authority waste disposal center.

**Note** If required the next page can be cut out and used as reference throughout the assembly. Keep this page with these instructions for future reference.

# COMPONENTS

Please check you have all the panels listed below:



1	Back cushion	x1	5	Metal frame-left	x1
2	Seat cushion	x1	6	Metal frame-right	x1
3	Left Armrest	x1	7	Metal frame-back	x1
4	Right Armrest	x1			



# COMPONENTS

---

Please check you have all the fittings listed below:

A



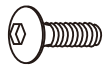
Screw M8x14mm x 4

B



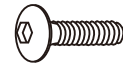
Screw M6x10mm x 2

C



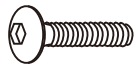
Screw M6x18mm x 4

D



Screw M6x20mm x 4

E



Screw M6x25mm x 4

F

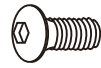



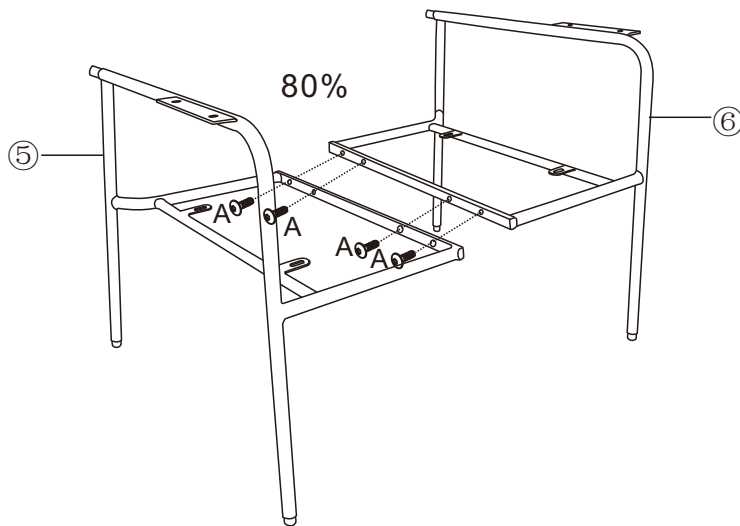
Wrench x 1



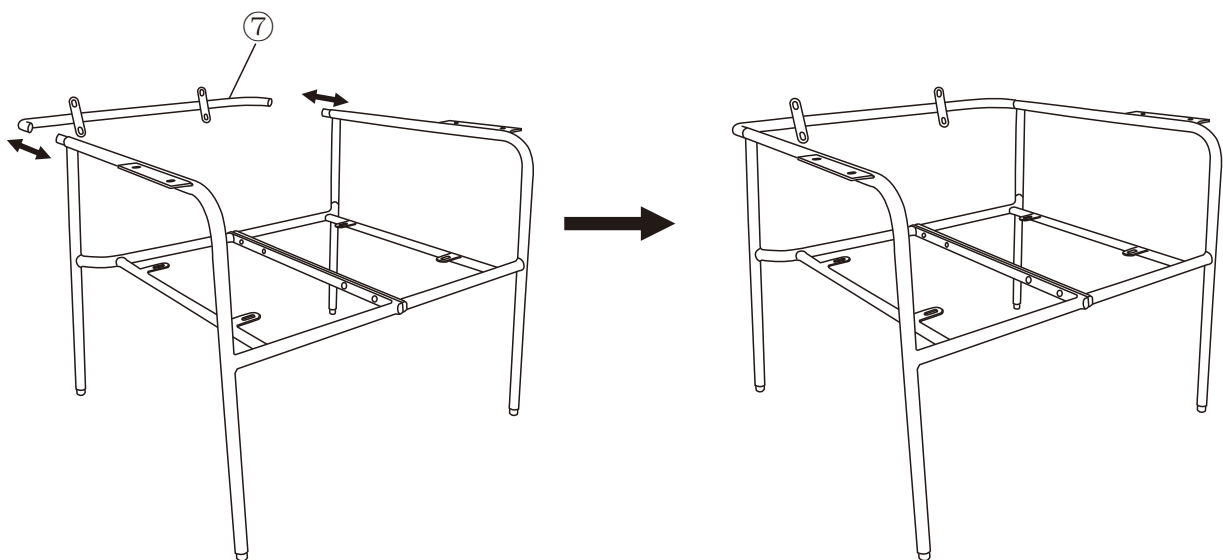
# ASSEMBLY INSTRUCTIONS

## Step 1

A		4	
F		1	

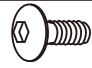



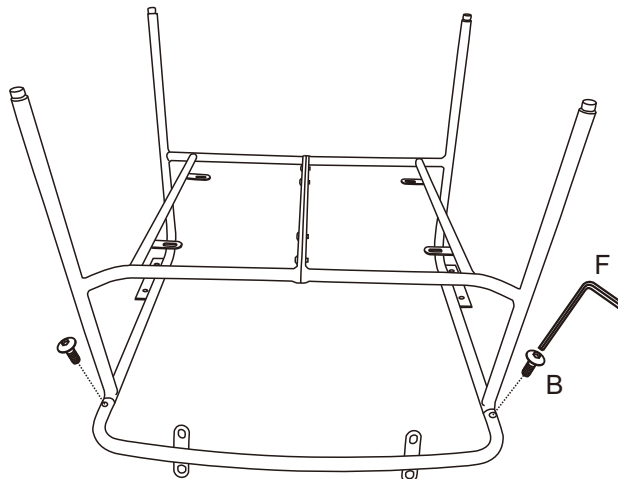
## Step 2



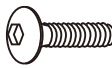

# ASSEMBLY INSTRUCTIONS

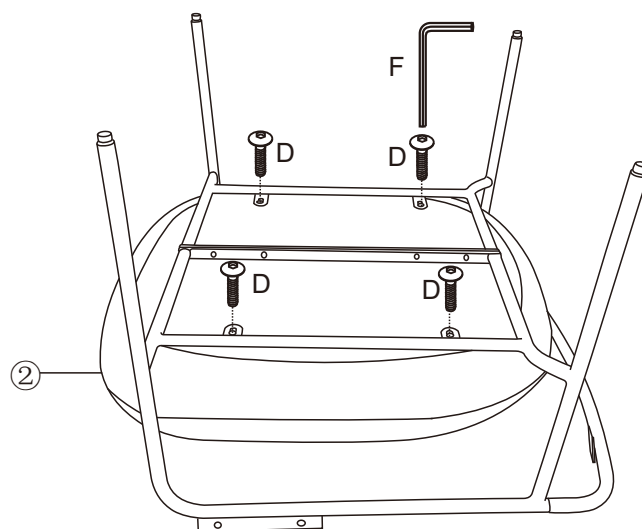
## Step 3

B		2	
F		1	



## Step 4

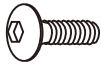

D		4	
F		1	

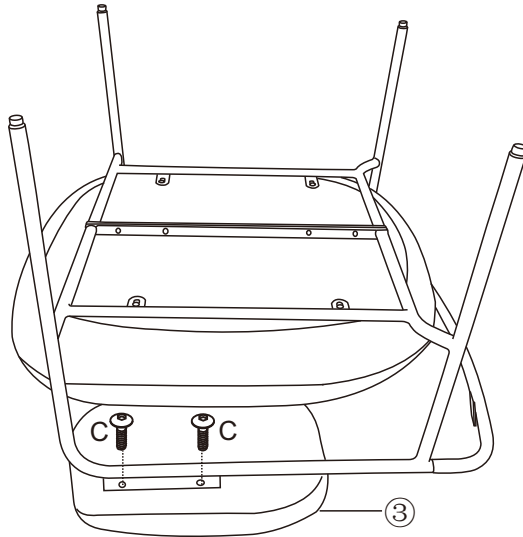


# ASSEMBLY INSTRUCTIONS

---

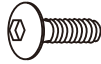

## Step 5

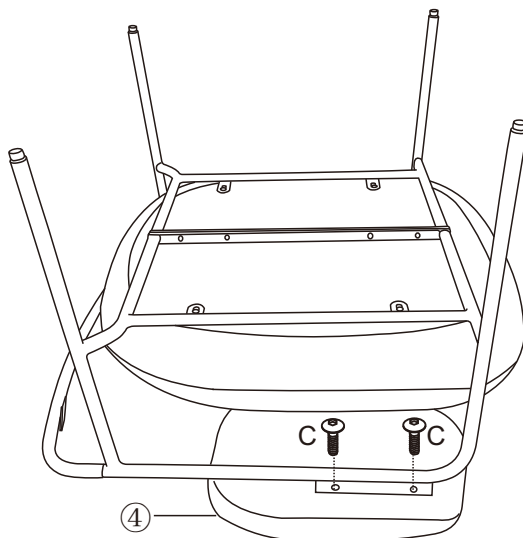
C		2	
F		1	



---

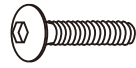

## Step 6

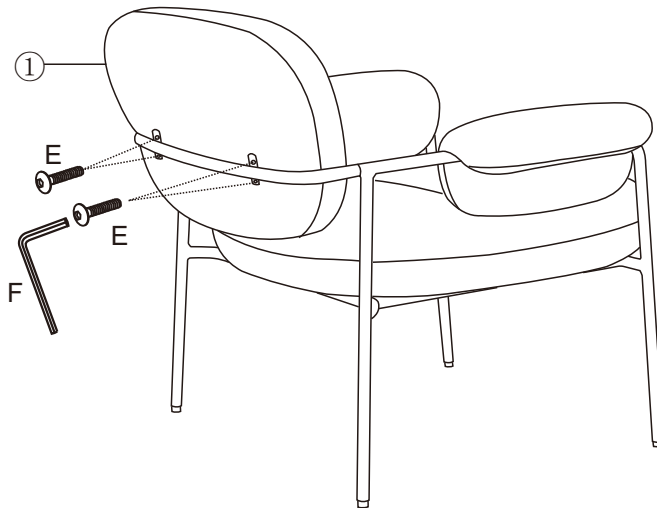
C		2	
F		1	



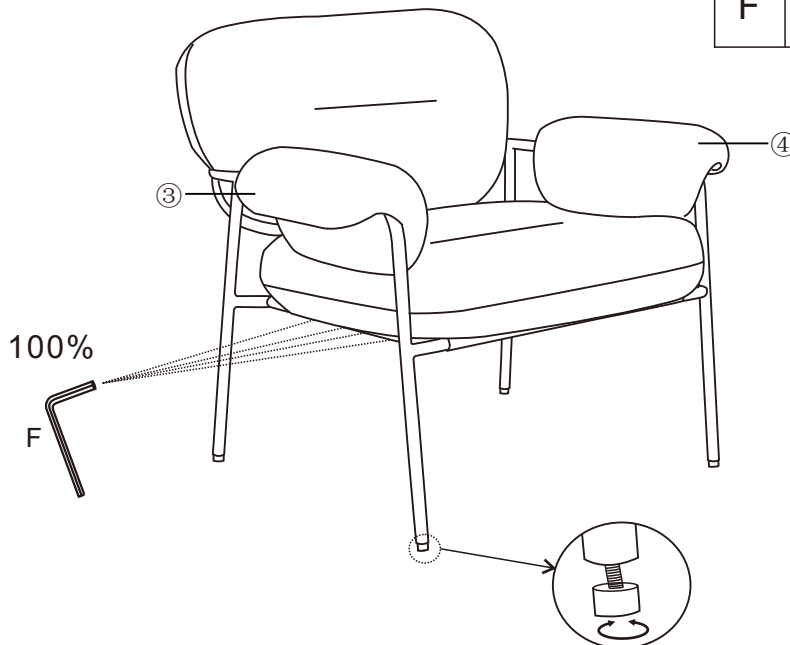
# ASSEMBLY INSTRUCTIONS

## Step 7

E		4	
F		1	



F		1	
---	---	---	--



Congratulations! Now you have finished assembling the product.