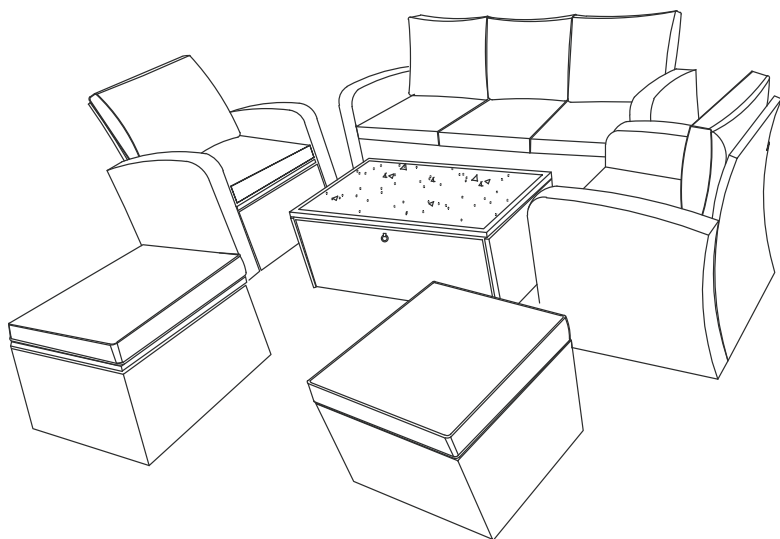


Patio Furniture Set

ASSEMBLY INSTRUCTIONS

GGOT0216



ATTENTION

Thanks for choosing our product.

1, There will be 2 boxes in total for this whole product. Before assembling, please check you receive all the parts listed below. If there is any missing or damaged part, or if you have any question, please feel free to contact us via

service@erommy.com or Tel: 8886766299

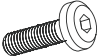
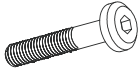
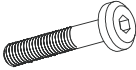


2. Two persons are recommended to assemble the set.

3, When assembling the rattan sofa set, we recommend not to tight the screws firmly until you have it all set up; this will allow you room for movement to match the orifices for the screws. Allen wrench is recommended instead of an electric drill.

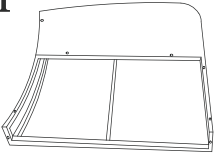
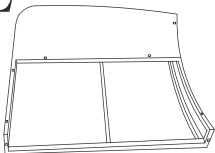
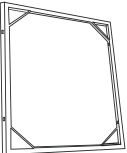
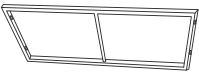
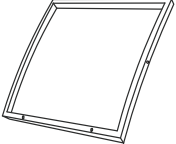
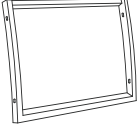
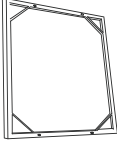
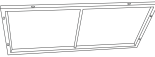
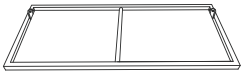
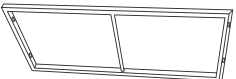
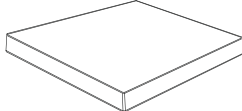
4, Please don't put the furniture outside without any sunshades in rainy, snowy days. Waterproof cover is recommended for keeping it last several years.

5, Sometimes 2 boxes will not arrive in same date, please wait for 2-3 more days or contact us at anytime.

HARDWARE LIST

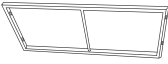
1	 M6X20MM	2	 M6X35MM	3	 M6X95MM
2PCS		89PCS	6PCS	4	 M6
2PCS		98PCS	2PCS	7	 1PC
		2PCS	1PC		

PARTSLIST(BOXA)

<p>H</p> 	<p>L</p> 	<p>N</p> 
<p>3PCS</p>	<p>3PCS</p>	<p>2PCS</p>
<p>O</p> 	<p>M1</p> 	<p>M2</p> 
<p>2PCS</p>	<p>2PCS</p>	<p>2PCS</p>
<p>Y</p> 	<p>I</p> 	<p>B</p> 
<p>2PCS</p>	<p>4PCS</p>	<p>1PC</p>
<p>F</p> 		
<p>1PC</p>	<p>3PCS</p>	

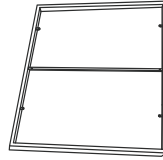
PARTS LISLIST(BOXB)

Z



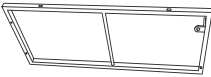
4PCS

A



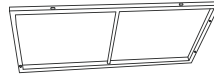
1PC

D



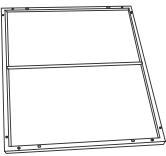
1PC

E



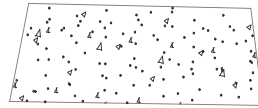
1PC

C



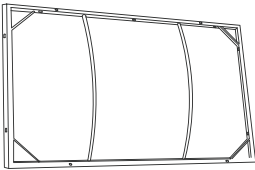
1PC

J



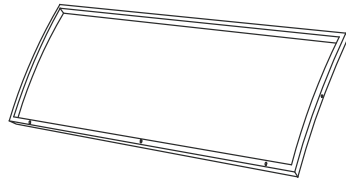
1PC

G



1PC

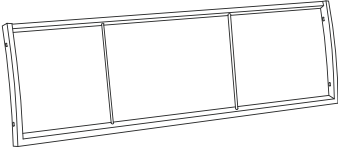
S



1PC

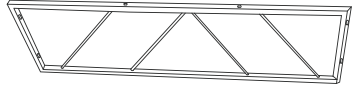
PARTSLIST(BOXB)

R

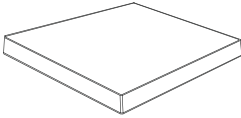


1PC

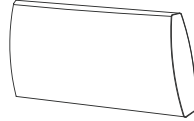
X



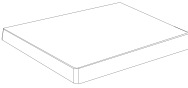
1PC



2PCS



5PCS



2PCS

TABLE ASSEMBLY

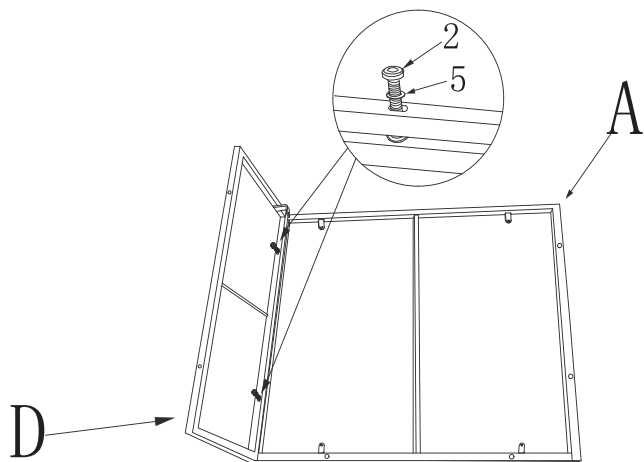
STEP 1

A x1

D x1

2 x2

5 x2

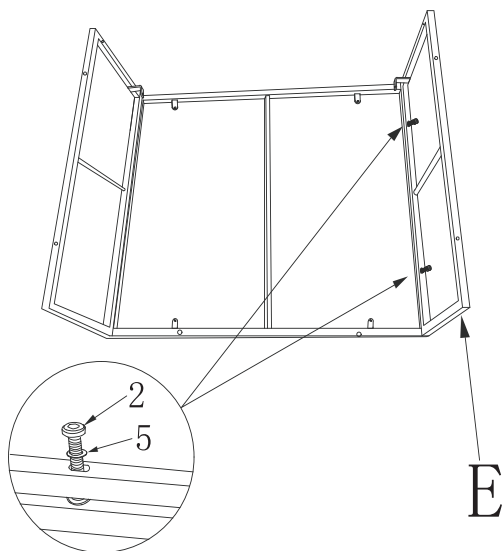


STEP 2

E x1

2 x2

5 x2

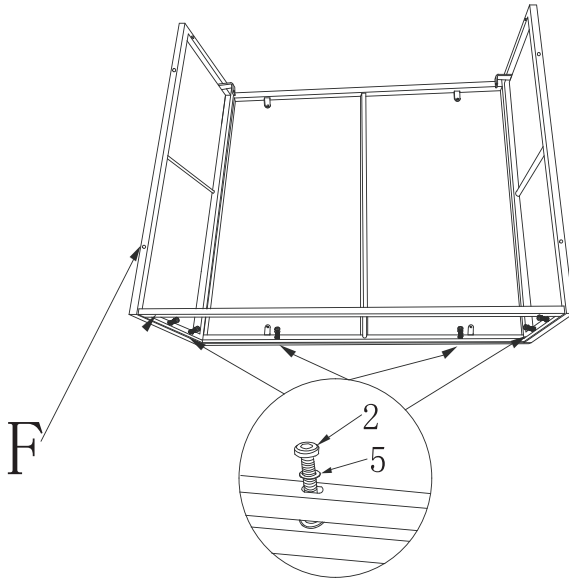


STEP 3

F x1

2 x6

5 x6

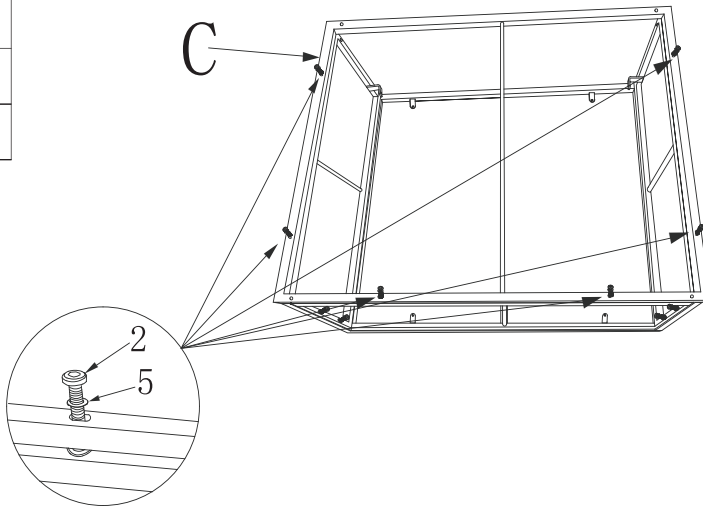


STEP 4

C x1

2 x6

5 x6



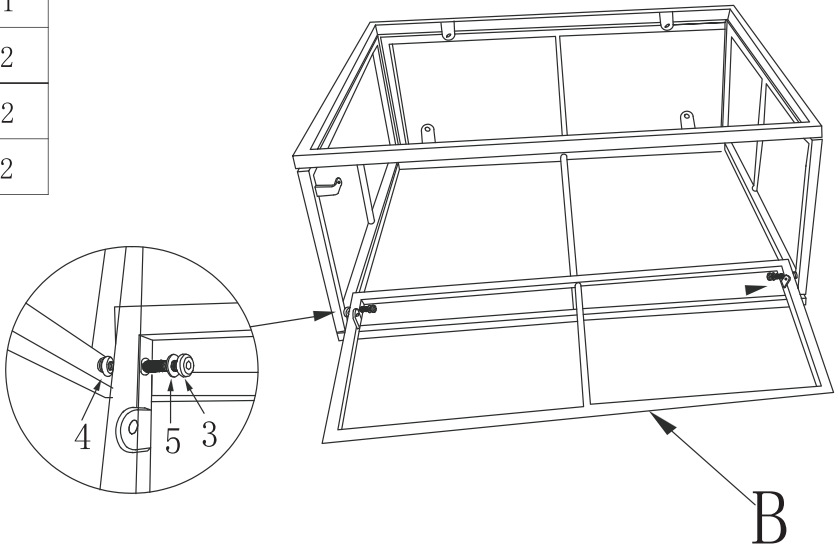
STEP 5

B x1

2 x2

4 x2

5 x2



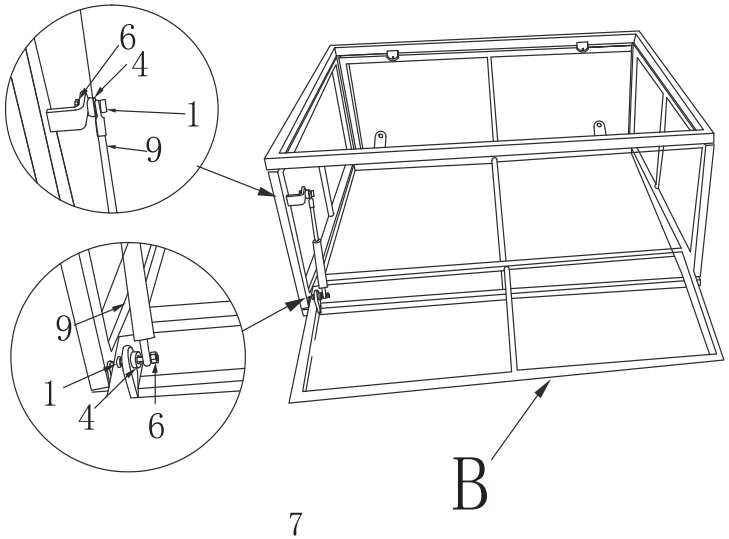
STEP 6

1 x2

4 x2

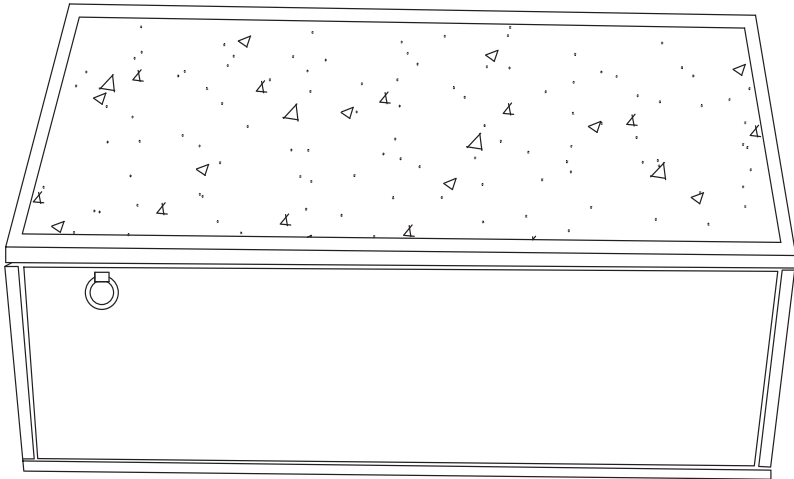
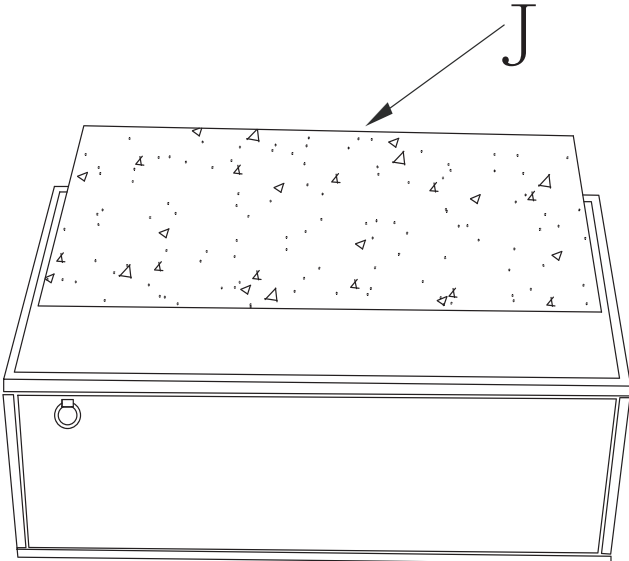
6 x2

9 x1



STEP 7

J x1



FOOT CHAIR ASSEMBLY

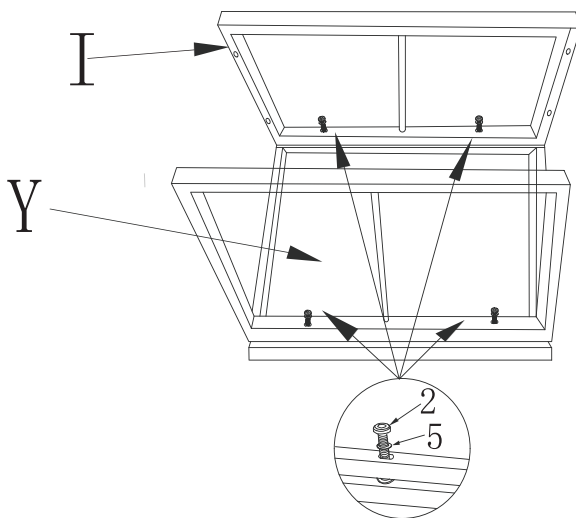
STEP 1

Y x1

I x2

2 x4

5 x4

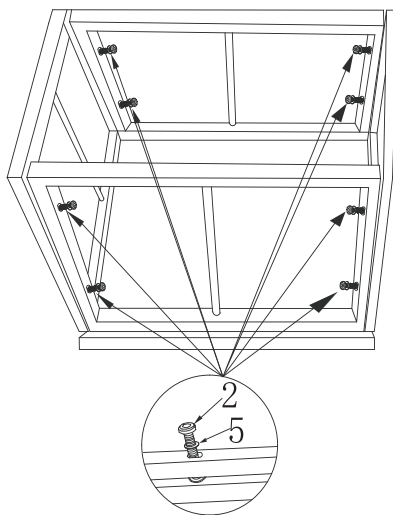


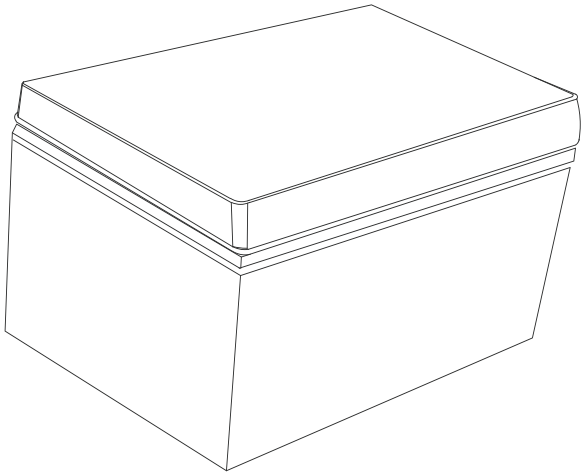
STEP 2

Z x2

2 x8

5 x8





SINGLE CHAIR ASSEMBLY

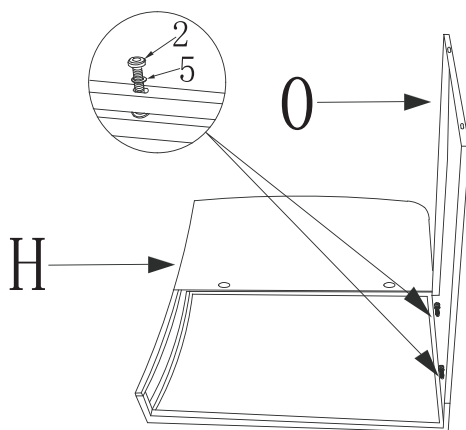
STEP 1

H x1

0 x1

2 x2

5 x2

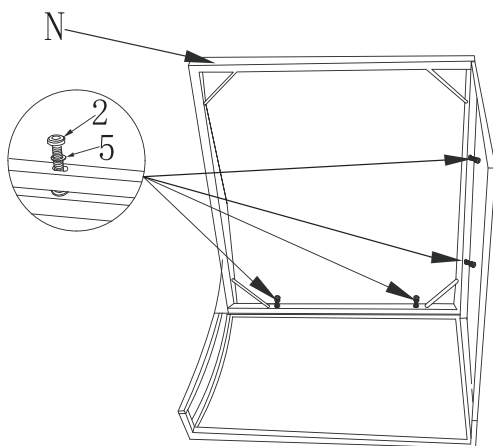


STEP 2

N x1

2 x4

5 x4



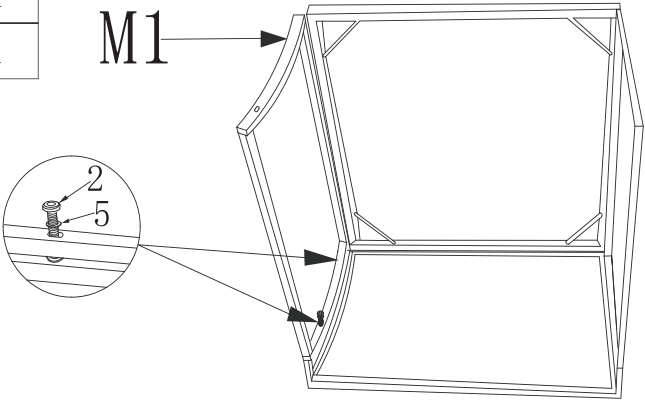
STEP 3

M1 x1

2 x1

5 x1

M1



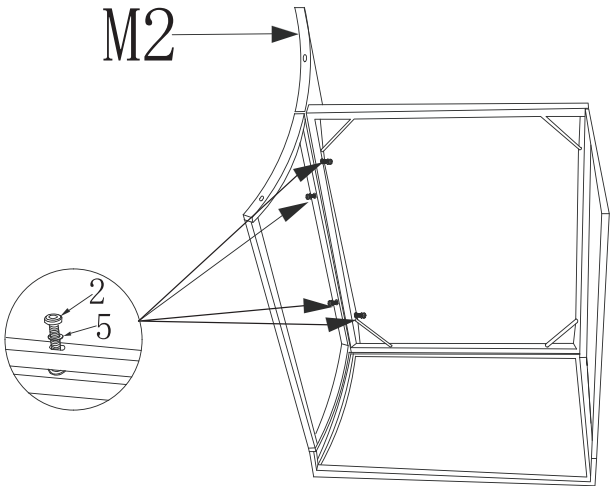
STEP 4

M2 x1

2 x4

5 x4

M2



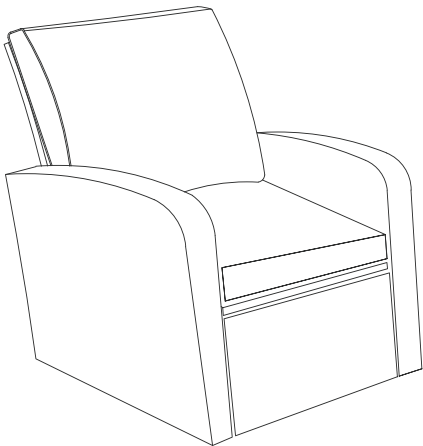
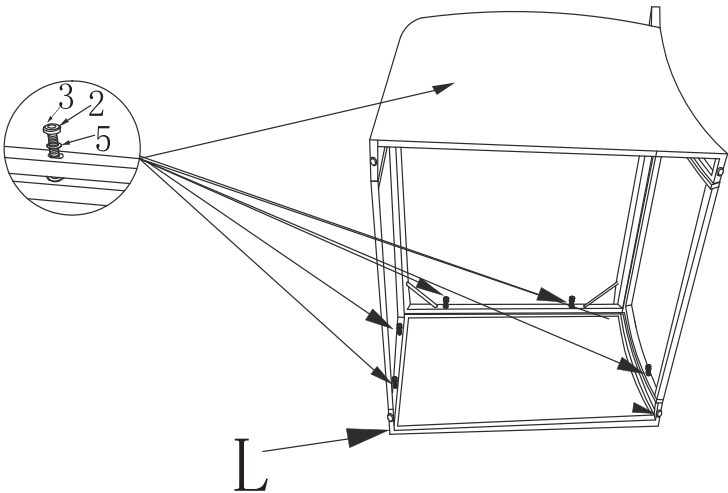
STEP 5

L x1

2 x5

5 x7

3 x2



SINGLE CHAIR ASSEMBLY

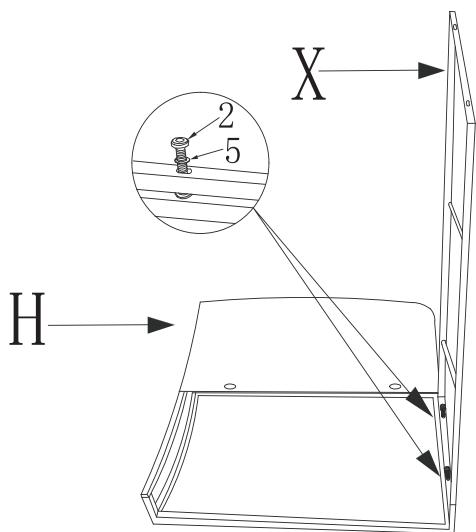
STEP 1

H x1

X x1

2 x2

5 x2

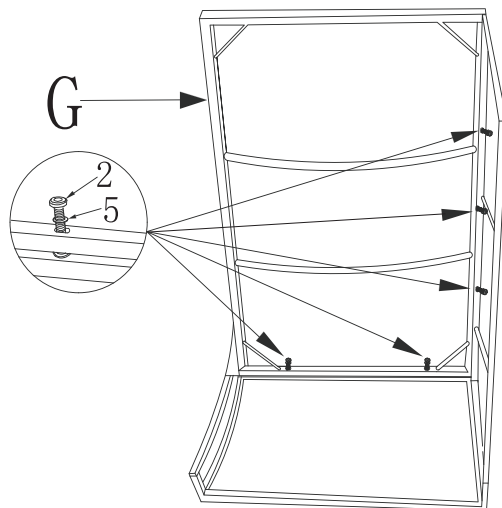


STEP 2

G x1

2 x5

5 x5

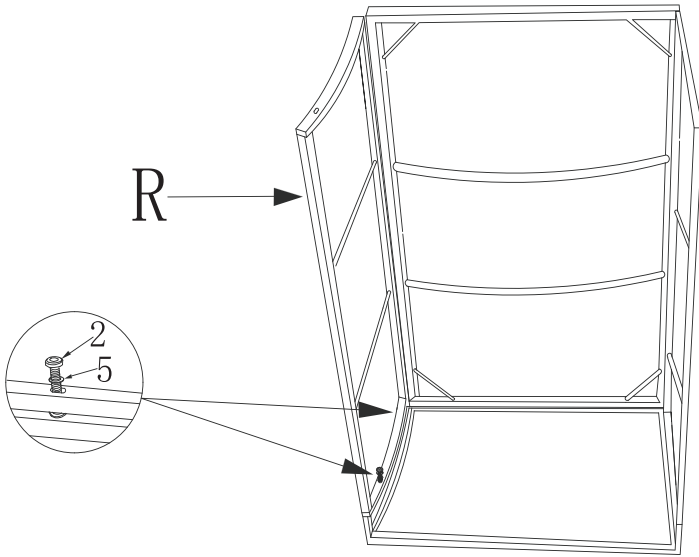


STEP 3

R x1

2 x1

5 x1

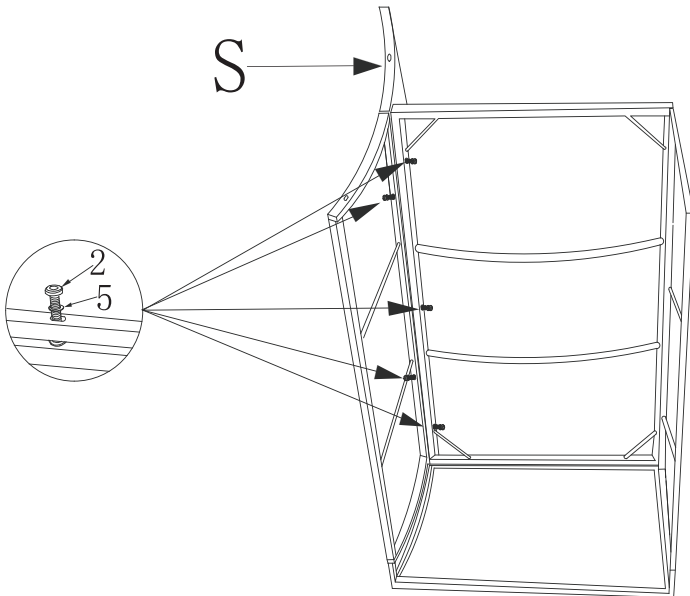


STEP 4

S x1

2 x6

5 x6



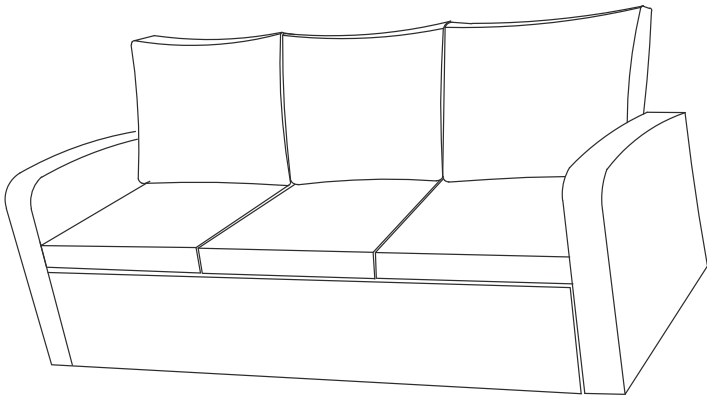
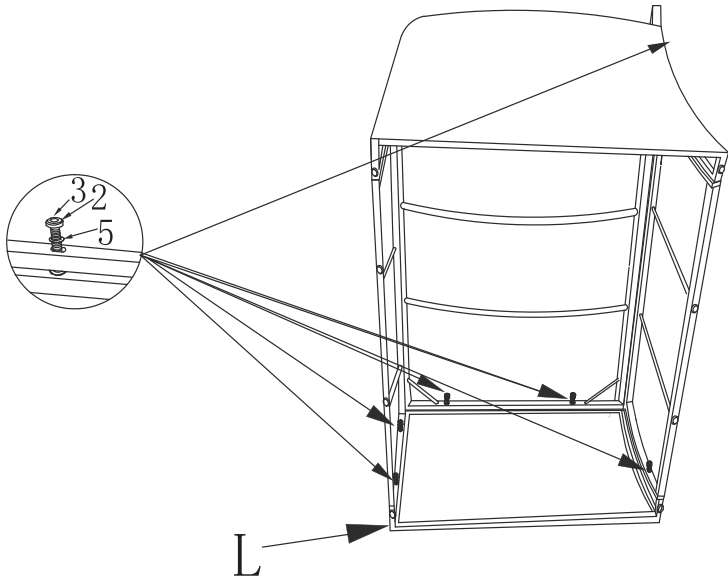
STEP 5

L x1

2 x5

5 x7

3 x2



EROMMY!

Closer to Life!

