

1-Light Brushed Gold & Matte Black Hardwired Wall Sconces

Caution: Please turn off power before installation and read the manual carefully, we advise you contact professional electricians to install for safety purpose.

Product Features

Style: Modern / Contemporary

Material: Metal, Glass

Base Type: E12

Light Source Included: No

Voltage: 120V

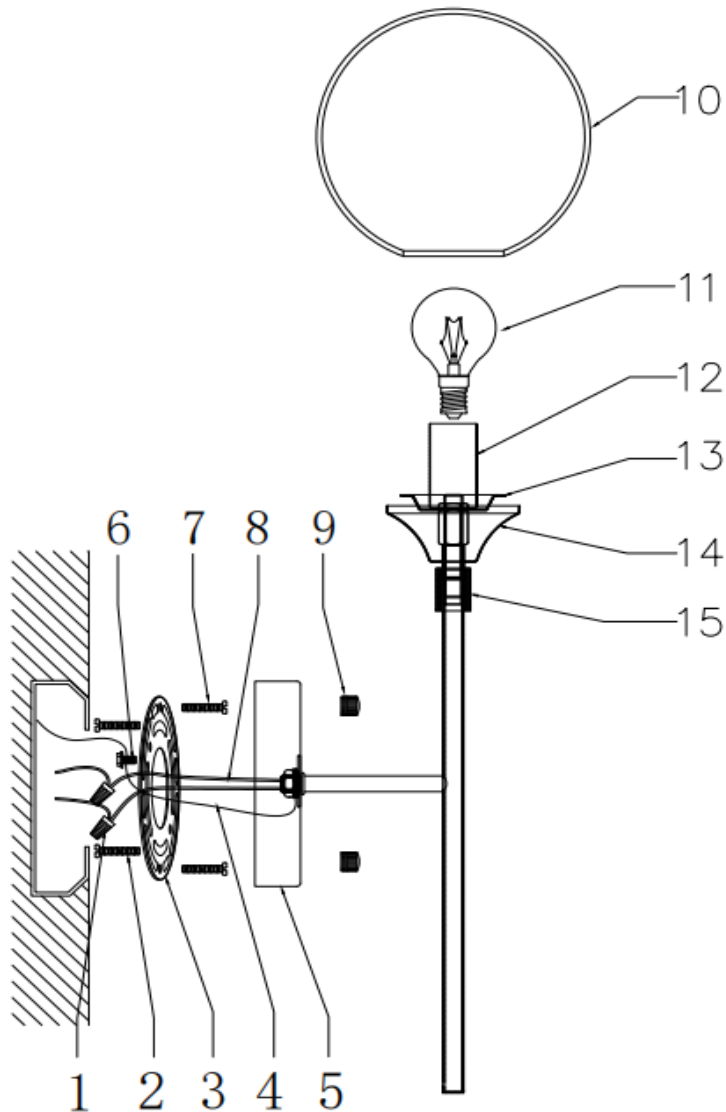
Wattage: 40W

Package includes

1 x Wall Sconces

1 x Accessories Kit

1 x User's Manual



Installation Instructions:

A: Secure the mounting plate (3) to the junction box using the junction box screws (7).

B: Connect the fixture wires:

-Connect the black wire from the main wire (8) to the live wire (+) using the wire connector (1).

-Connect the white wire from the main wire (8) to the neutral wire (-) using another wire connector. (Make sure no bare copper wire is exposed.)

-Use the green screw (6) to secure the fixture ground wire (4) and the external ground wire to the mounting plate (3).

C: Place the canopy (5) over the threaded rod (2), then tighten the decorative nut (9) to secure the fixture.

D: Install the bulbs (11) into the sockets (12). Then loosen the metal piece (15) by turning it counterclockwise, place the glass shade (10) into the opening on the metal holder (13), then tighten the metal piece (15) clockwise to secure the cover (14) onto the glass (10).

Note: please use this product accordingly to its intended purpose, do not retrofit or remodeling the product. The warranty does not cover if the failure is caused by the third party product, or natural disasters.