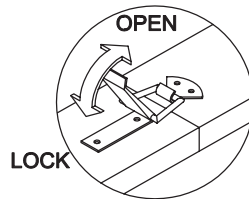
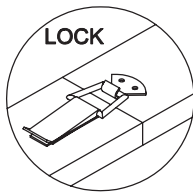
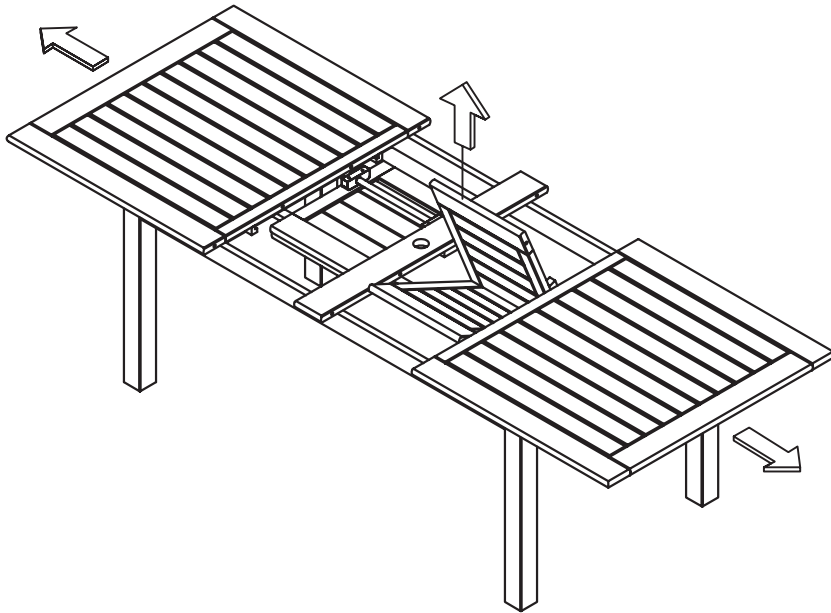


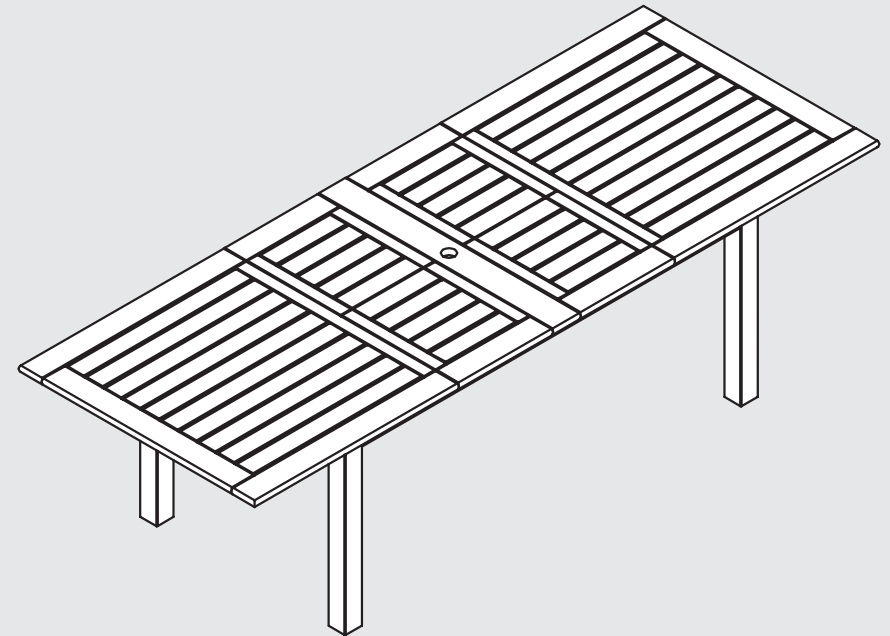
2 To expand table, use attached stowable leaves. Unlock safety hinge located underneath table top.

NOTE: There are two locks, one on each side.

To store leaves and reduce table, repeat steps above in reverse order.



EXTENSION TABLE



ADULT ASSEMBLY REQUIRED

If you are missing any parts or have any questions regarding assembly, do not return this item to the retailers store. Please call our toll-free, customer service number and have this assembly manual open to the parts list ready to provide the model name, number and part name or number.



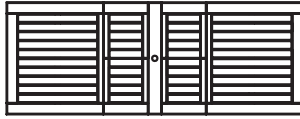
WARNING: This product may contain small components, please ensure they are kept away from small children.

PARTS AND HARDWARE

Avoid using sharp objects such as a knife to cut open packing as you may accidentally damage the upholstery.



A. Legs
4x



B. Table Top
1x



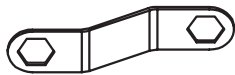
C. Hex Nut
8x



D. Spring Washer
8x



E. Washer
8x



F. Wrench
1x

ASSEMBLY INSTRUCTIONS

Do not fully tighten bolts until assembly is complete.

- 1 Attach Legs (A) to Table Top (B) using Washer (E), Spring Washer (D) and Hex Nut (C). Tighten using provided Wrench (F).

