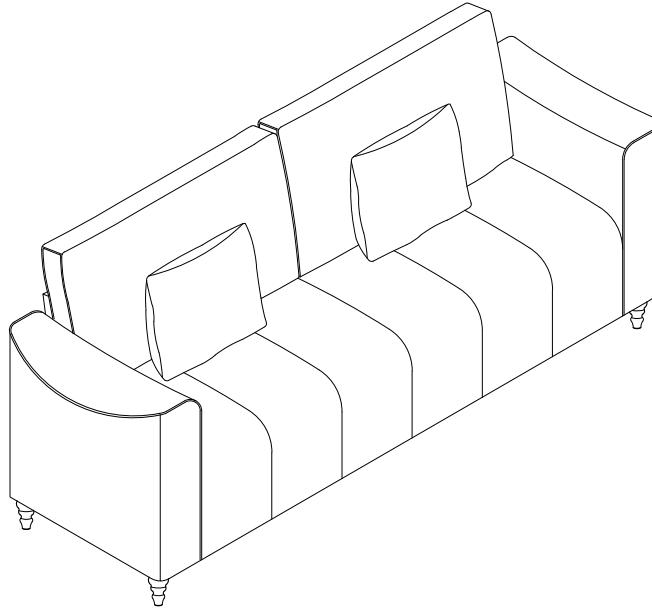


ASSEMBLY INSTRUCTION

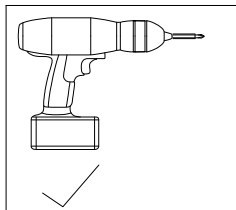


IMPORTANT NOTE

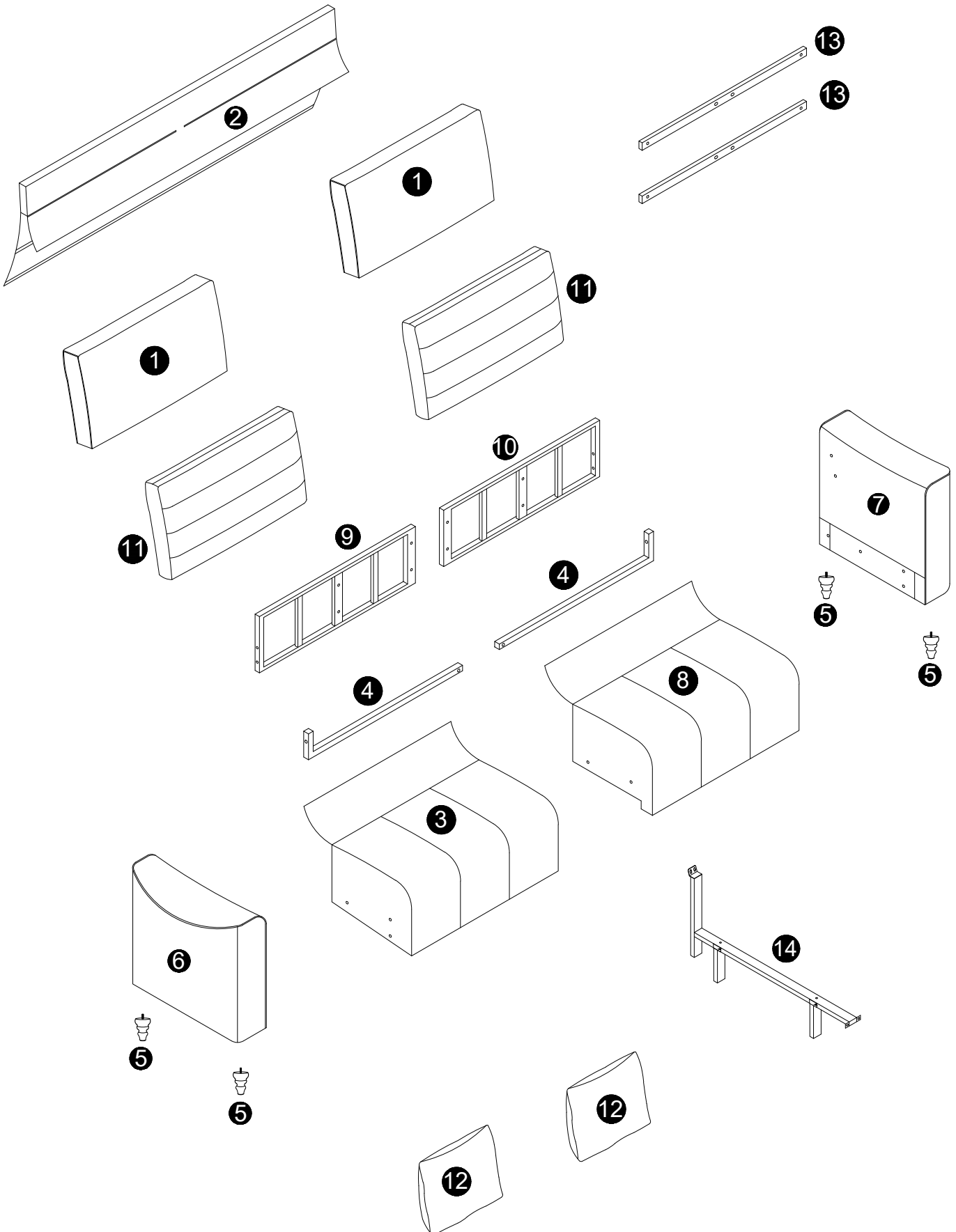
1. For the protection of your furniture, place all parts on a clean and smooth surface to prevent any damage.
2. Keep fittings out of children's reach and keep children well away from construction area.
3. When moving your assembled sofa, it is best to lift the sofa and never to drag it.
4. Do not use this product if parts are missing, damaged or worn.
5. This product should only be used on firm, level ground.
6. Please periodically check all fittings and re-tighten as necessary.
7. Do not use the sofa unless all bolts and screws are firmly secured.
8. For further assistance, please provide a screenshot of your order and contact us via email at happycustomerscn@hotmail.com



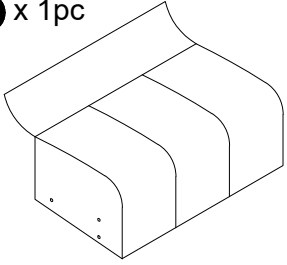
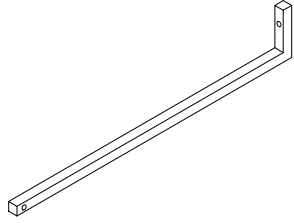

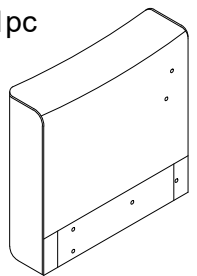
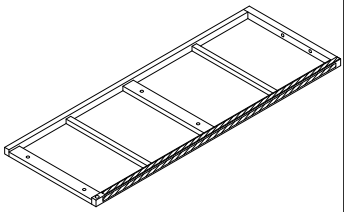
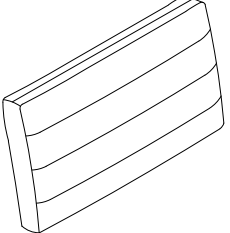
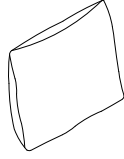
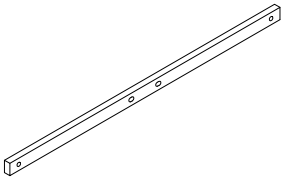
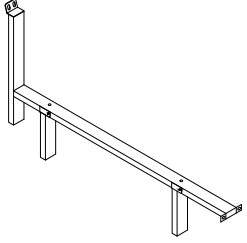
Minimum two
person assembly



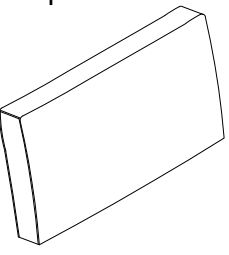
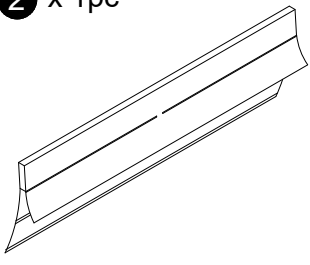
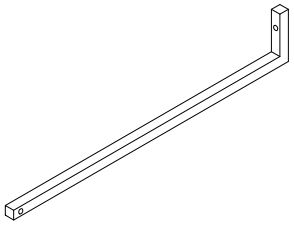
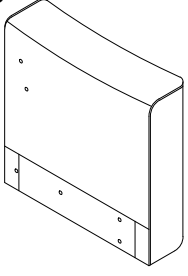
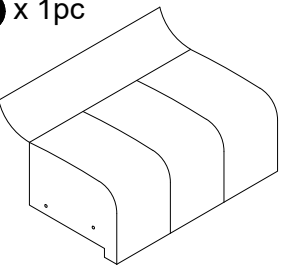
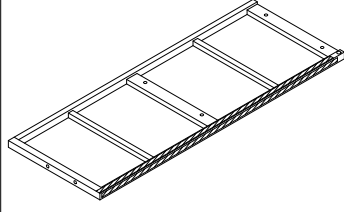
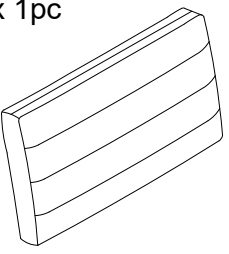
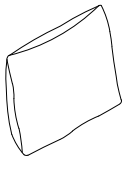
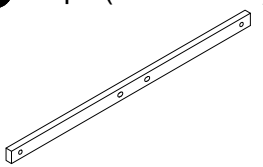
PART LIST



Components of Carton A

| | | | |
|---|--|---|---|
| <p>3 x 1pc</p>  | <p>4 x 1pc (80x905mm)</p>  | <p>5 x 4pcs</p>  | <p>6 x 1pc</p>  |
| <p>9 x 1pc (310x905mm)</p>  | <p>11 x 1pc</p>  | <p>12 x 1pc</p>  | <p>13 x 1pc (30x910mm)</p>  |
| <p>14 x 1pc</p>  | | | |


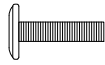

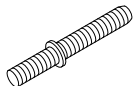



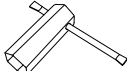
Components of Carton B

| | | | |
|---|--|---|--|
| <p>1 x 2pcs</p>  | <p>2 x 1pc</p>  | <p>4 x 1pc (80x905mm)</p>  | <p>7 x 1pc</p>  |
| <p>8 x 1pc</p>  | <p>10 x 1pc (310x905mm)</p>  | <p>11 x 1pc</p>  | <p>12 x 1pc</p>  |
| <p>13 x 1pc (30x910mm)</p>  | | | |

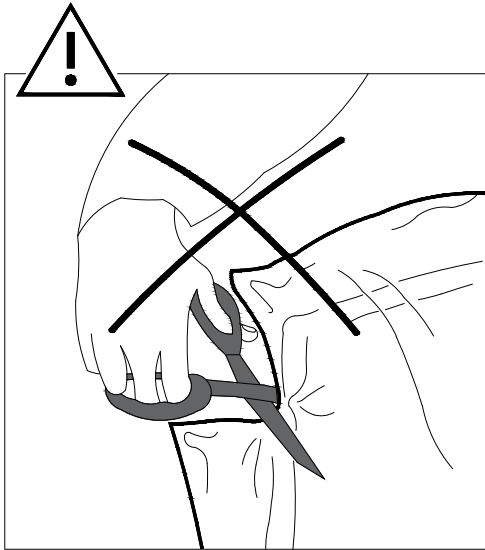
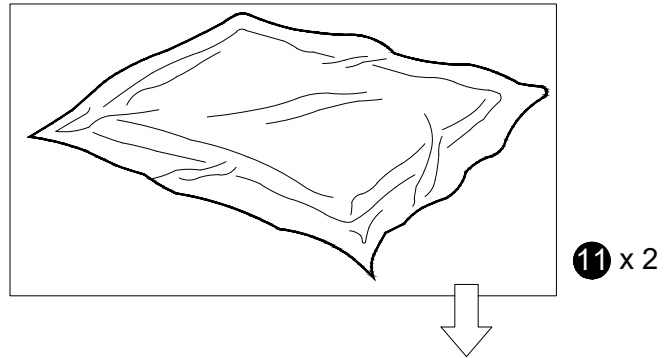
Please ensure to thoroughly inspect the small inner cardboard box containing the hardware, which are tied with a red string, before disposing of the box.

Please ensure to thoroughly inspect the small inner cardboard box containing the hardware, which are tied with a red string, before disposing of the box.

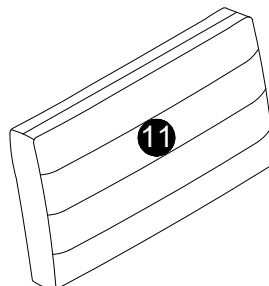
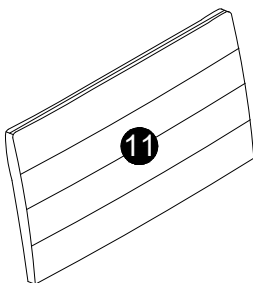
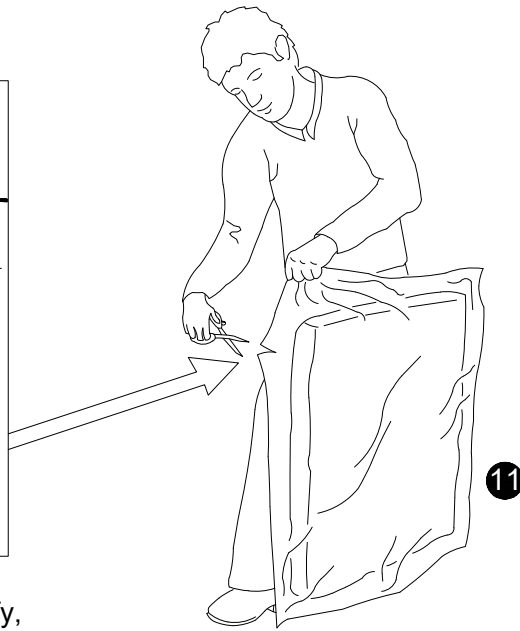
HARDWARE LIST

| | | | |
|---|--|---|---|
|  H1 M5 x 1pc |  H2 M8x30mm x 12pcs |  H3 M8x40mm x 12pcs |  H4 M8x80mm x 6pcs |
|  H5 M8 x 12pcs |  H6 M8x22mm x 12pcs |  H7 M8 x 6pcs |  H8 x 1pc |

1

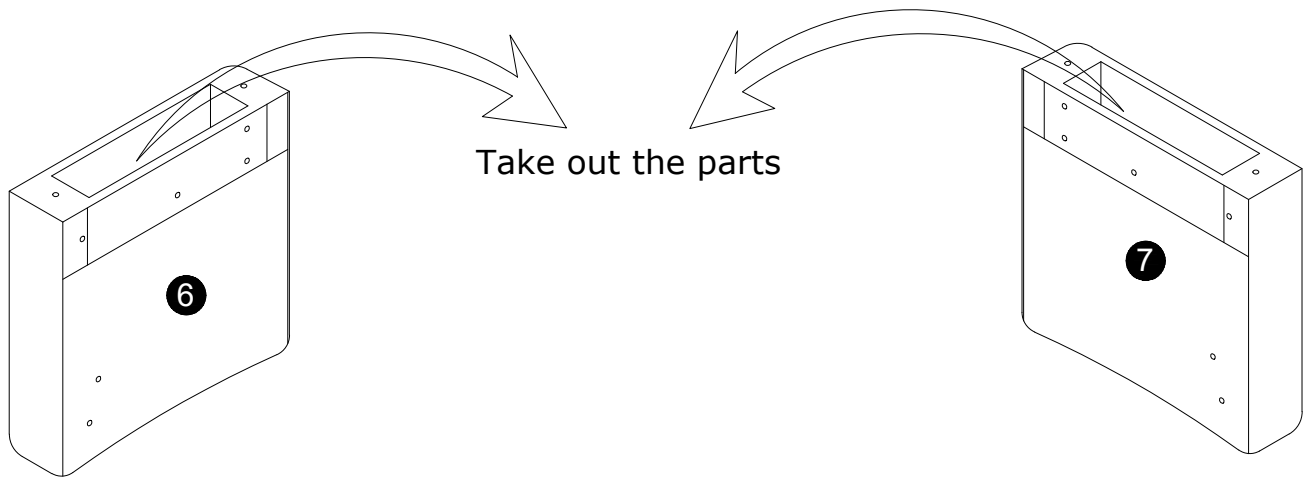


Open the vacuum-sealed bag, let the pillow expand and become fluffy, and be careful not to damage the pillow.

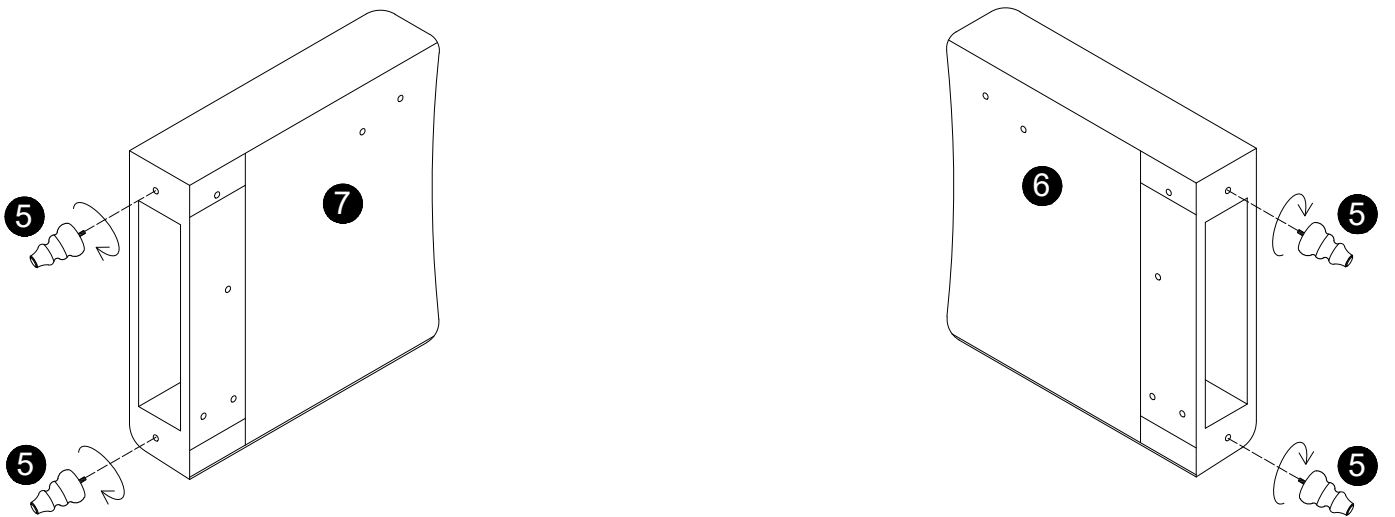


48h

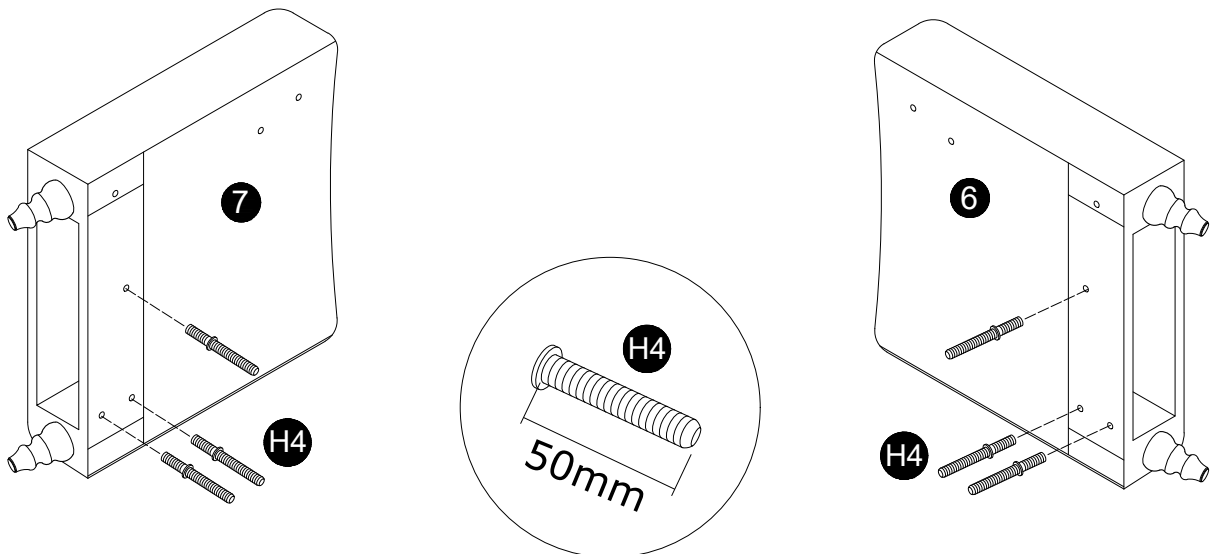
2



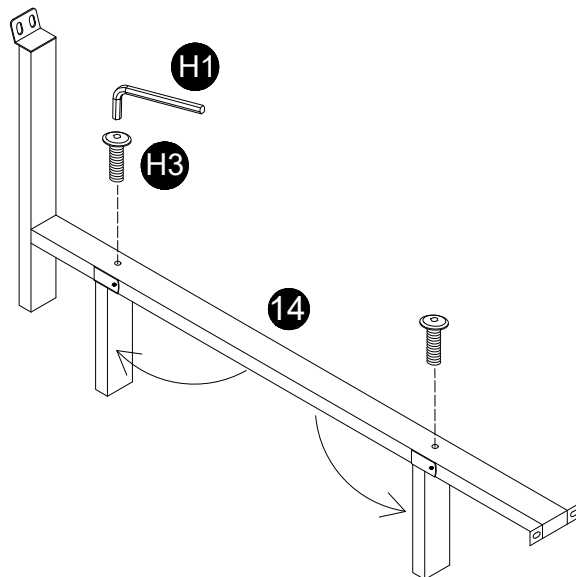
3



4

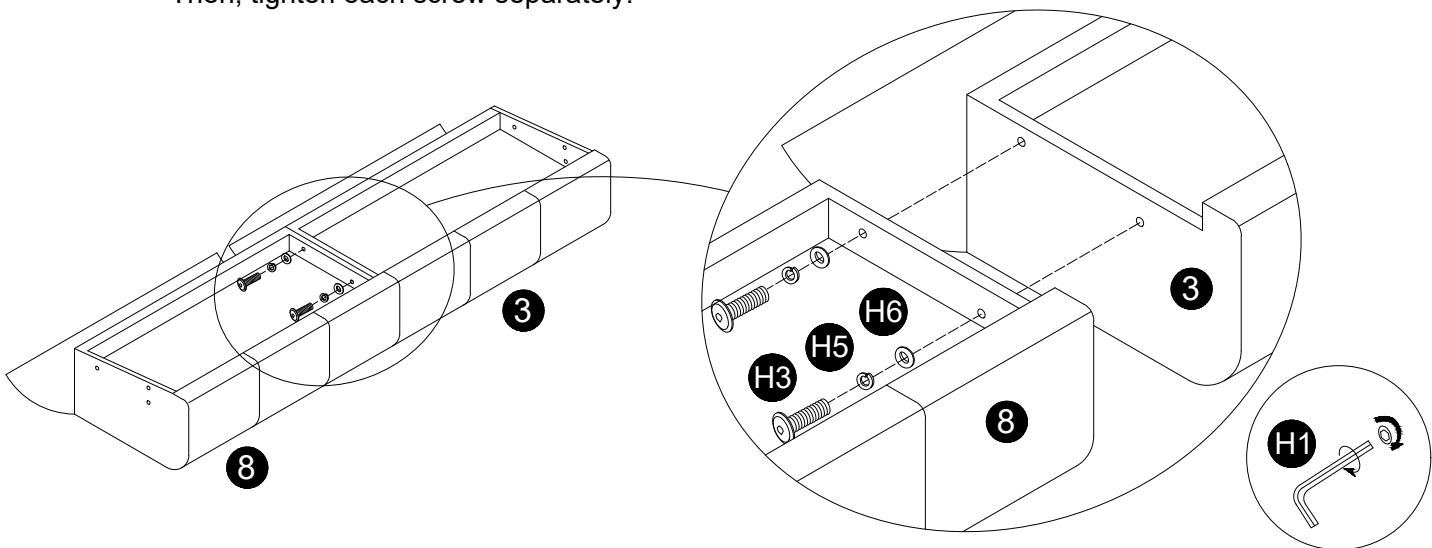


5



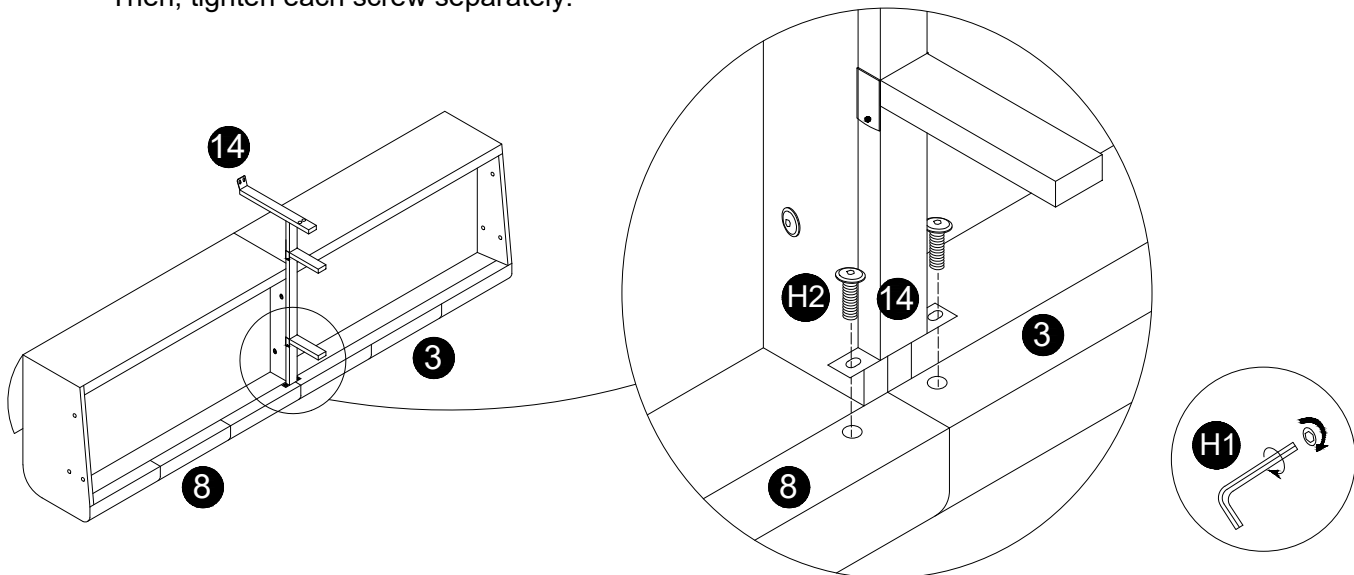
6

As shown in the diagram, align the screws with the corresponding holes and pre-fix them. Then, tighten each screw separately.

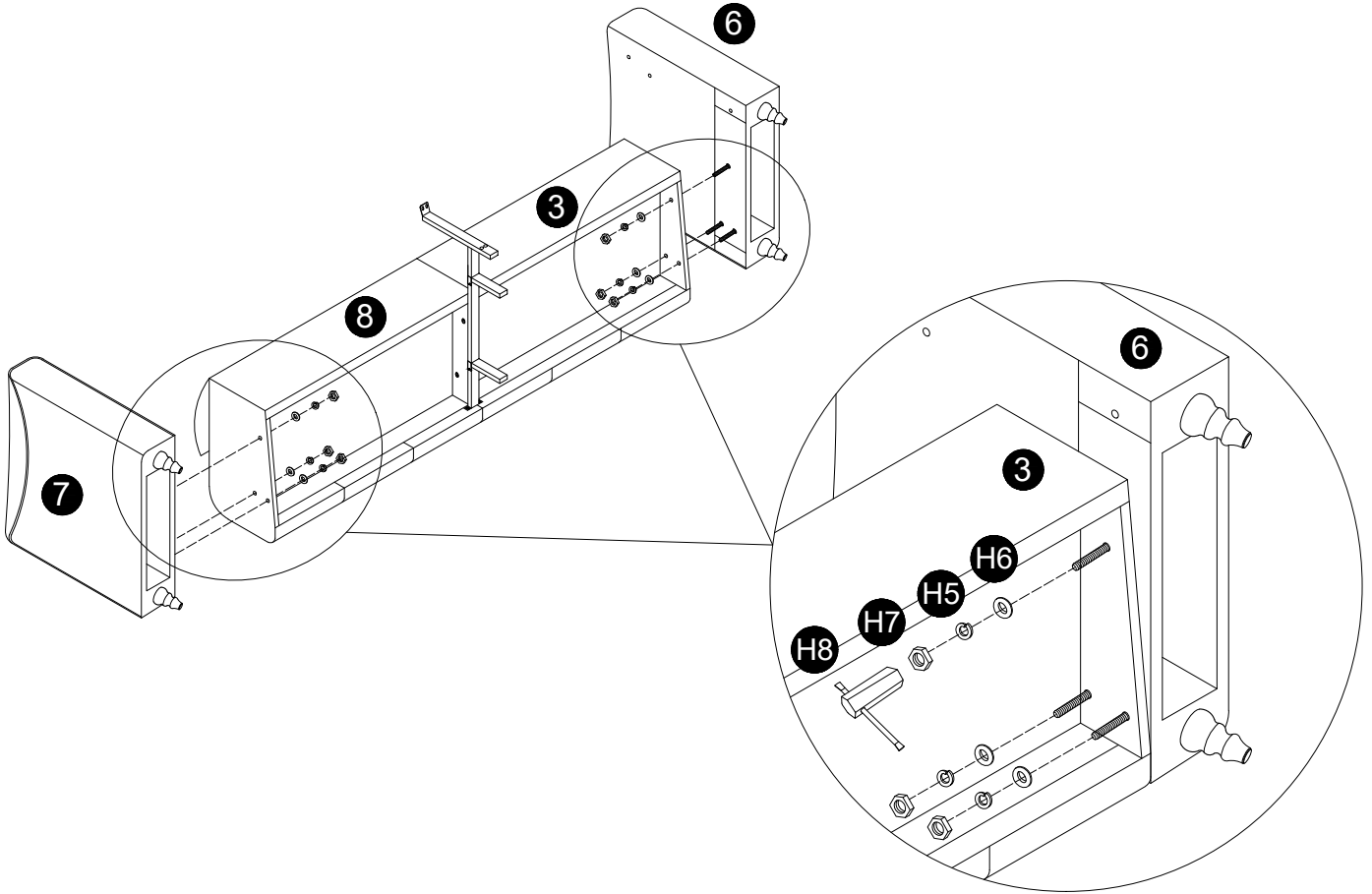


7

As shown in the diagram, align the screws with the corresponding holes and pre-fix them. Then, tighten each screw separately.

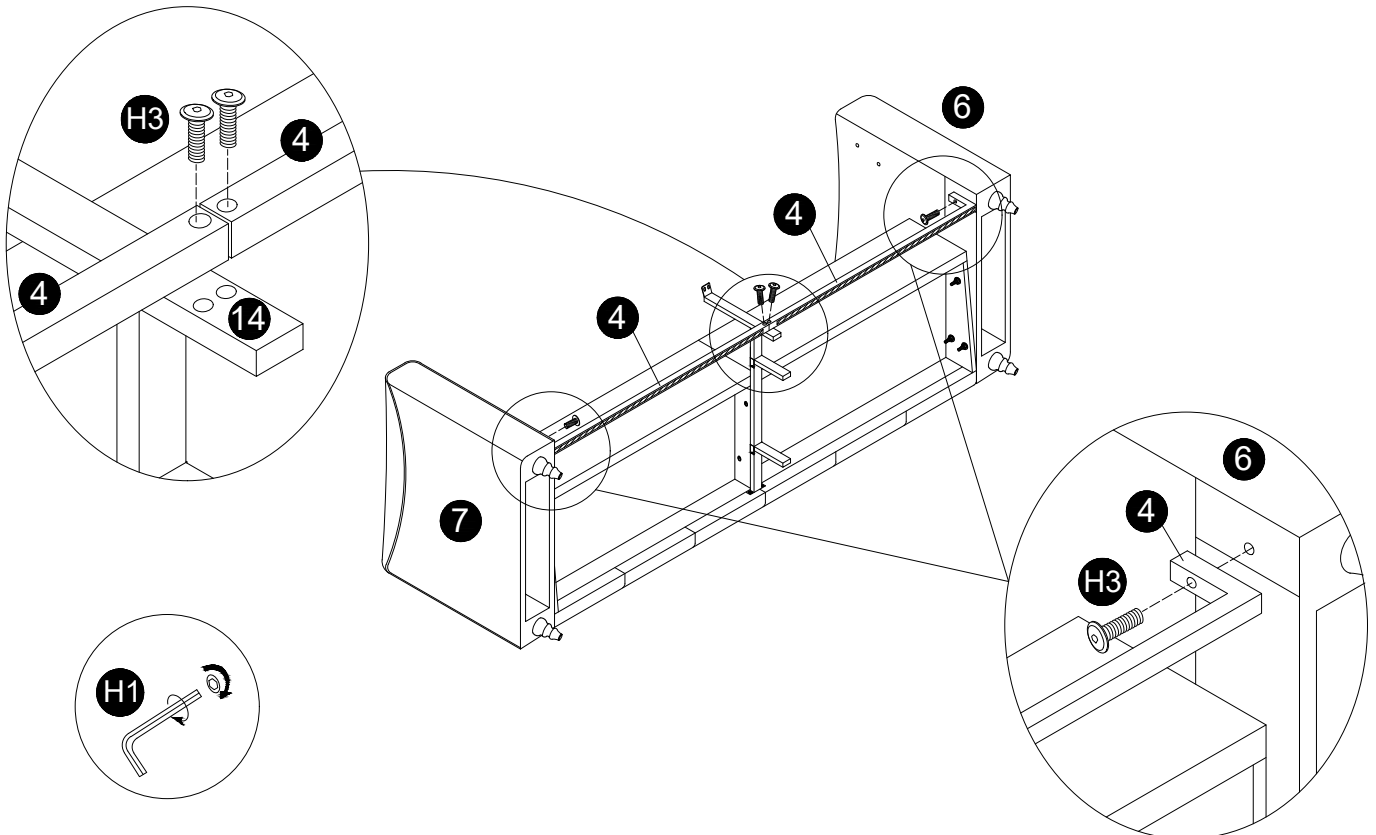


8



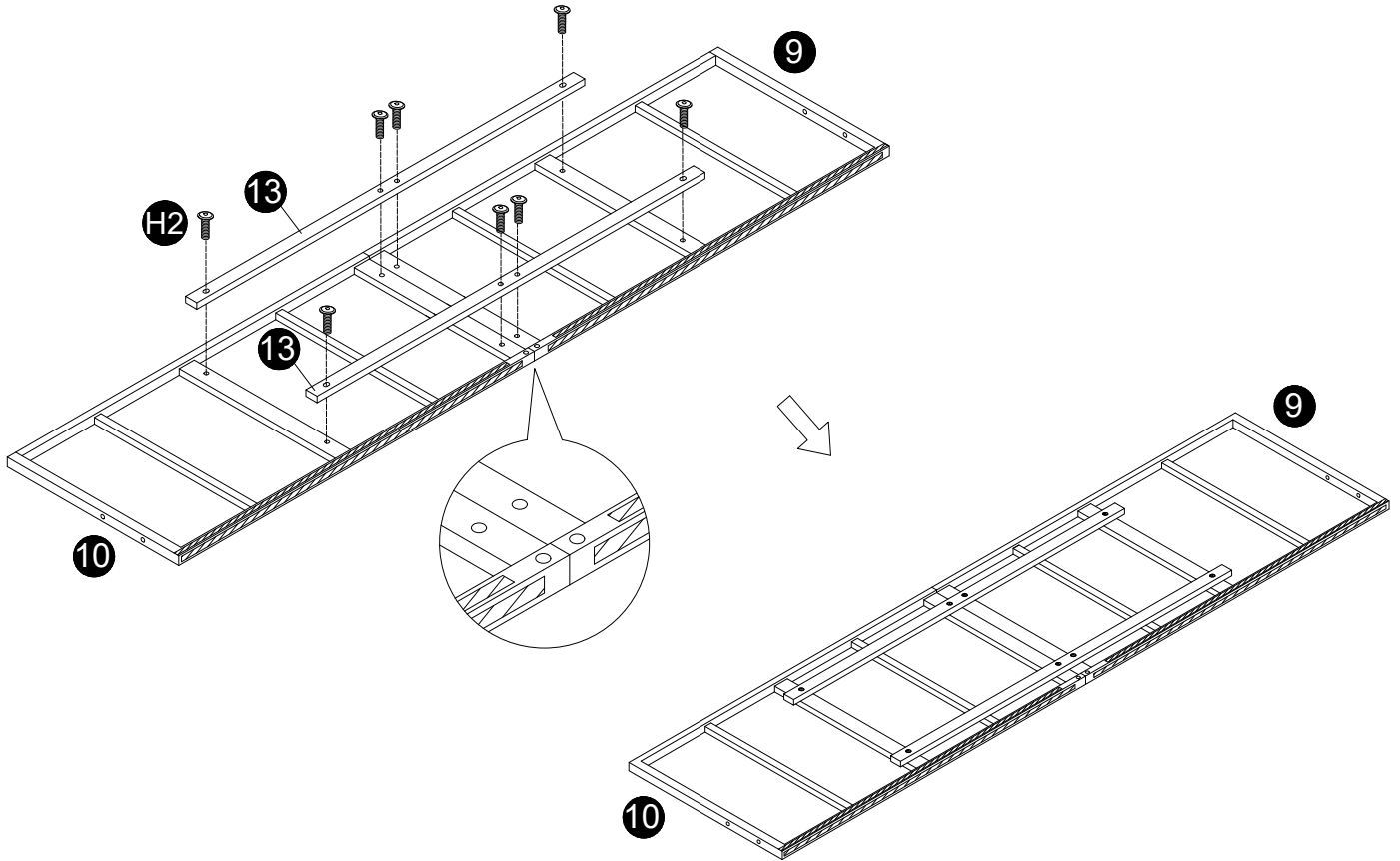
9

As shown in the diagram, align the screws with the corresponding holes and pre-fix them. Then, tighten each screw separately.

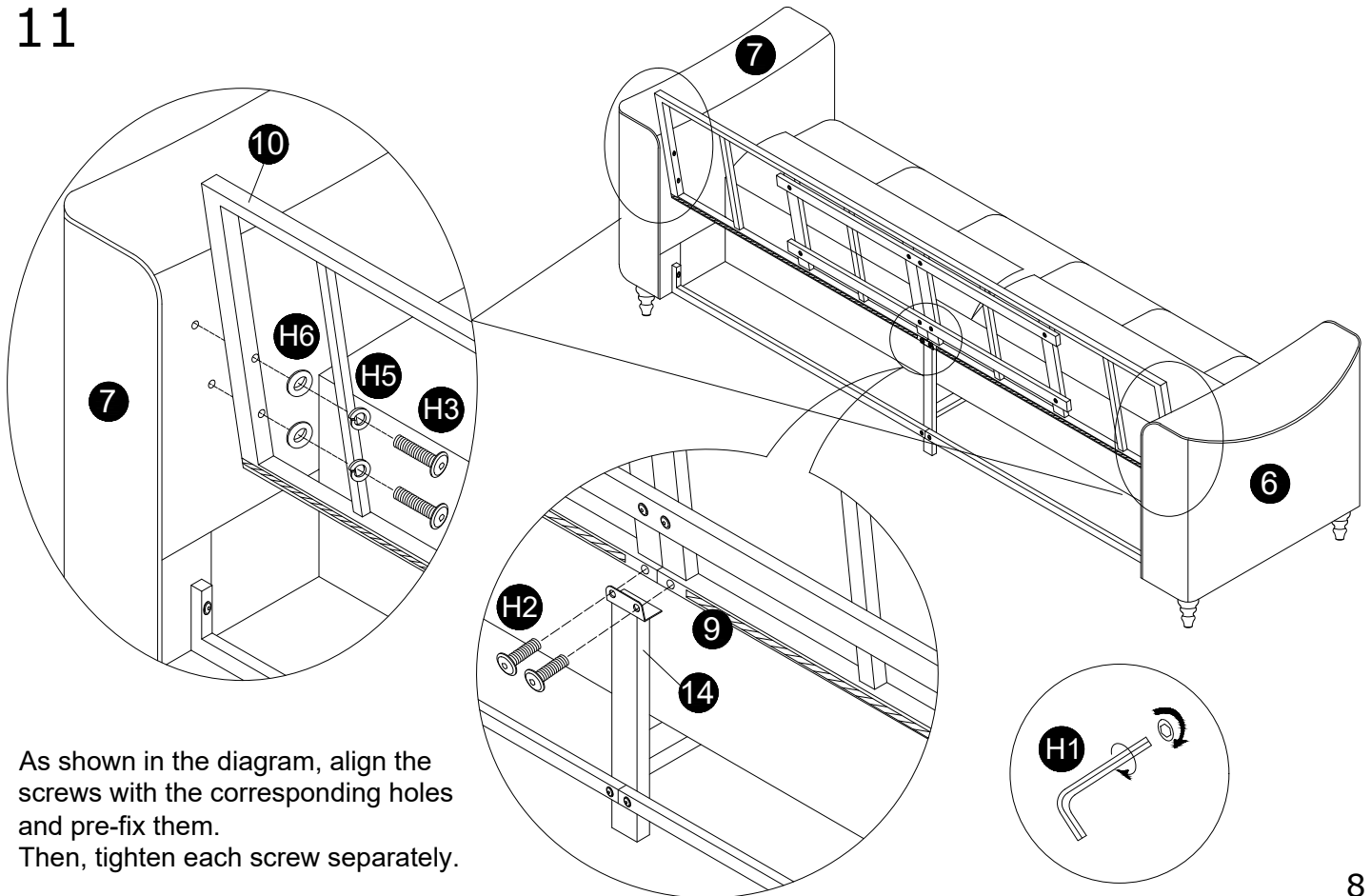


10

As shown in the diagram, align the screws with the corresponding holes and pre-fix them. Then, tighten each screw separately.

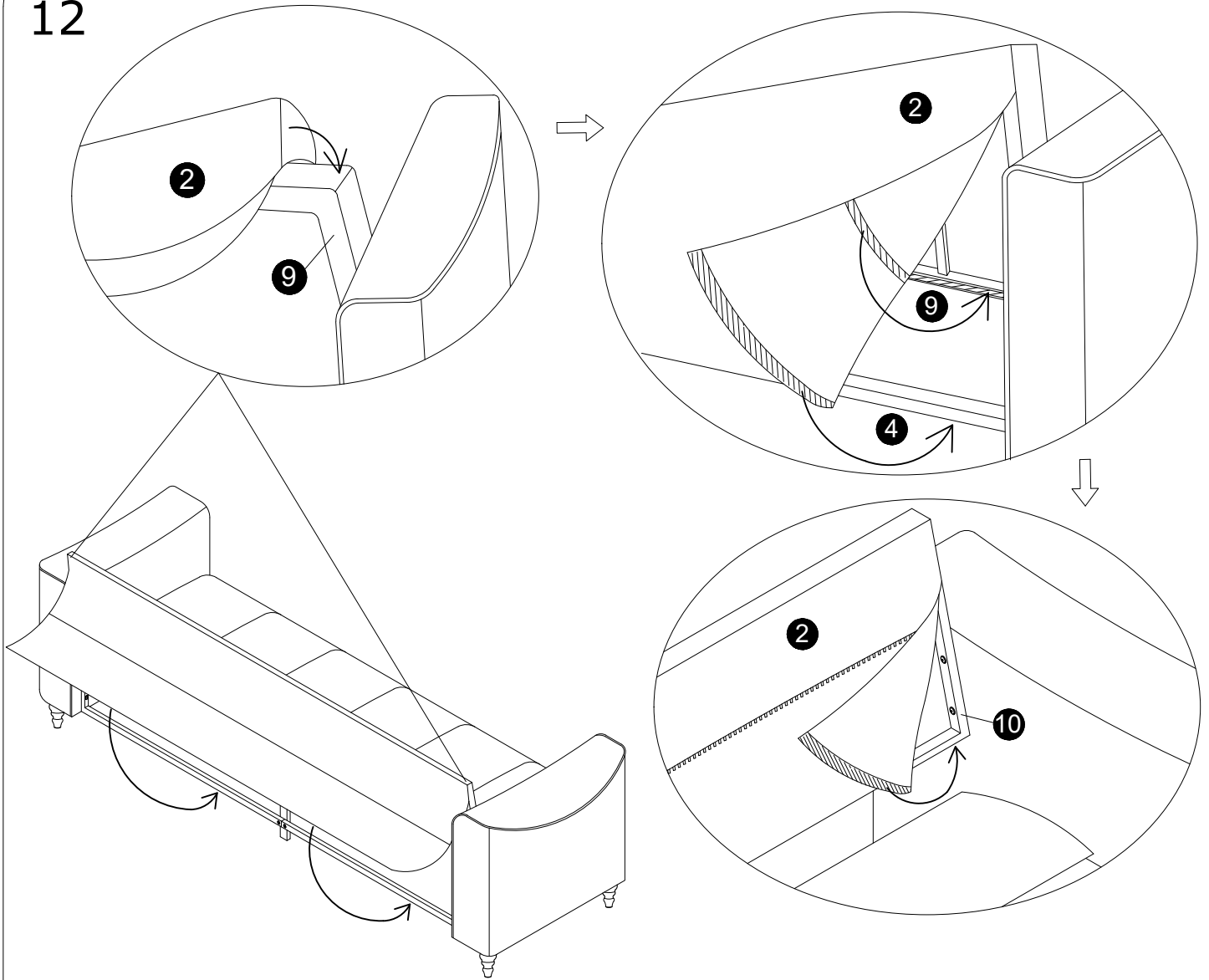


11

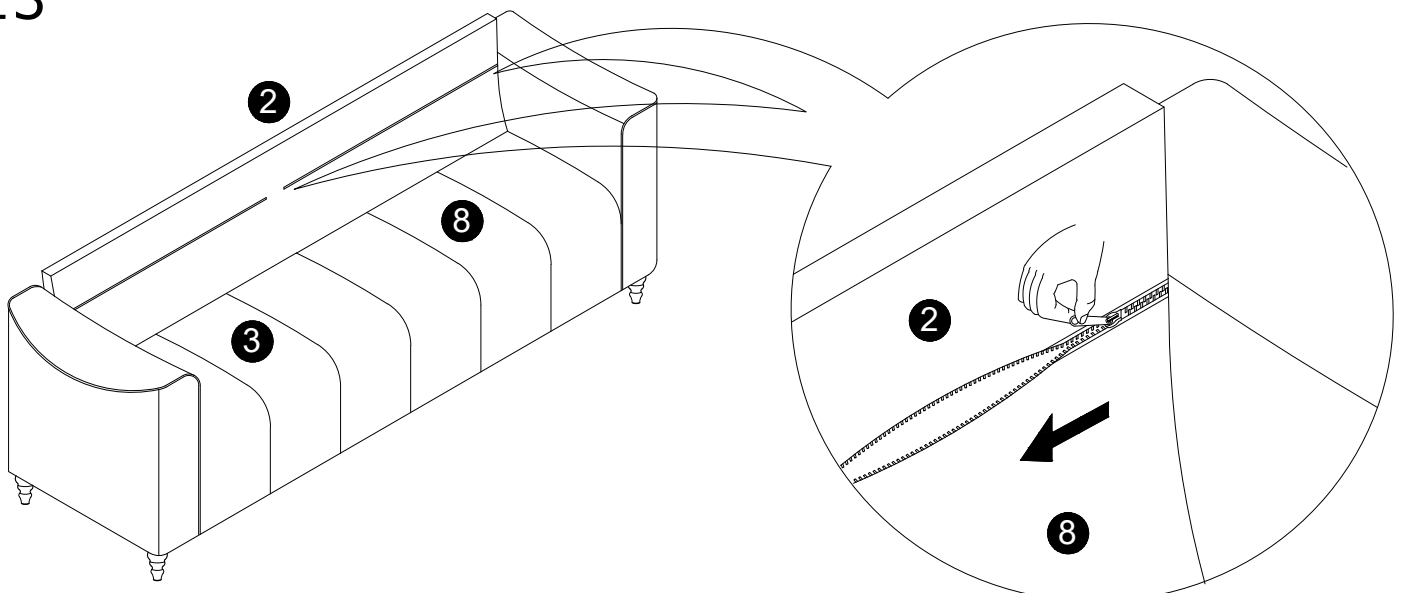


As shown in the diagram, align the screws with the corresponding holes and pre-fix them. Then, tighten each screw separately.

12

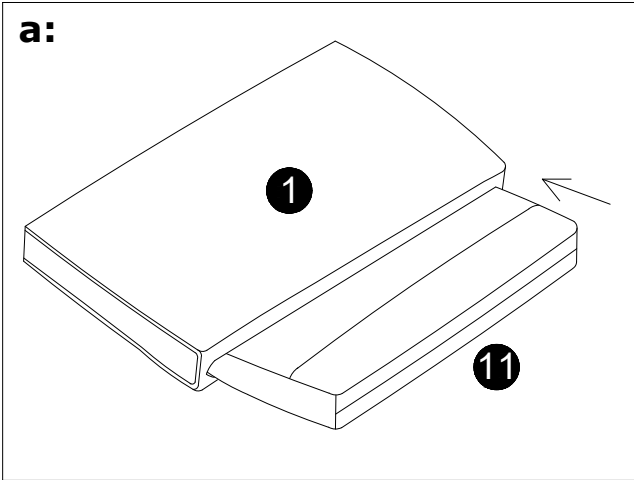


13



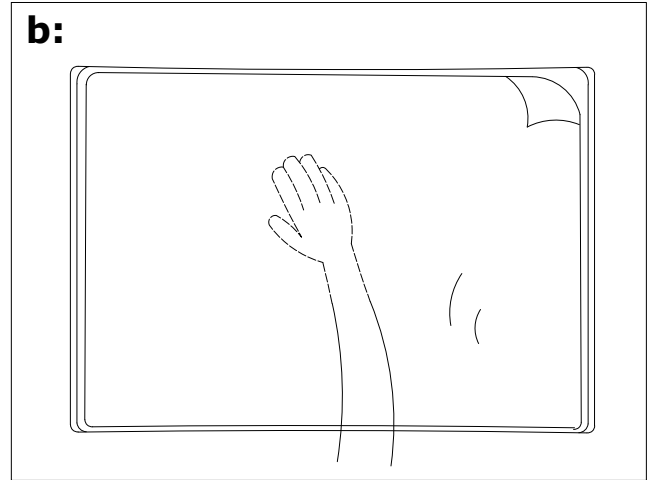
14

a:



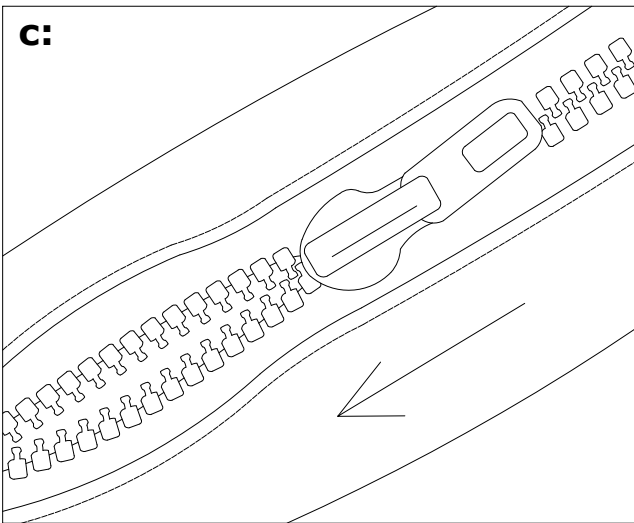
Unzip the cover, place the pillow core inside, and make sure to prioritize getting the corners into position first.

b:



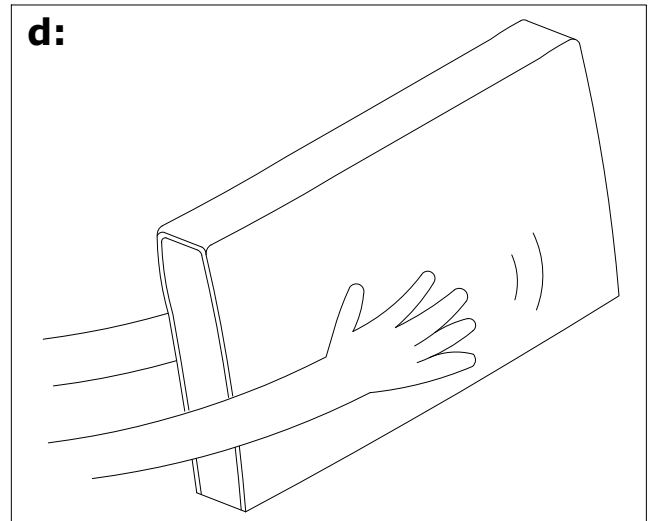
After inserting the pillow core, press the four corners into place.

c:



Close the zipper.

d:



Fluff and distribute evenly.

15

