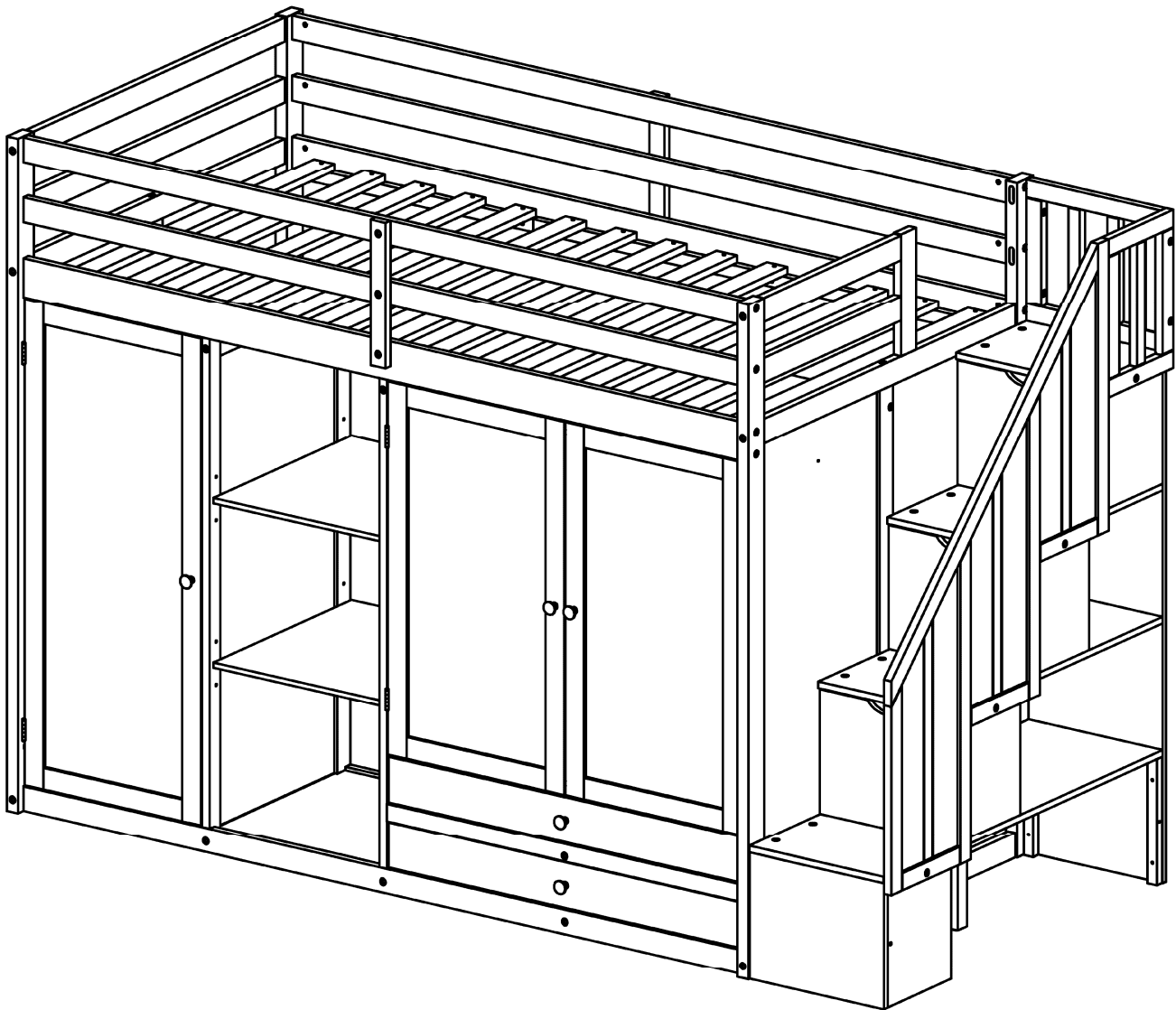


ASSEMBLY INSTRUCTION

This set included 3 boxex if do not receive full 3 boxex .Please contact our customer service team



! SAFETY WARNINGS !

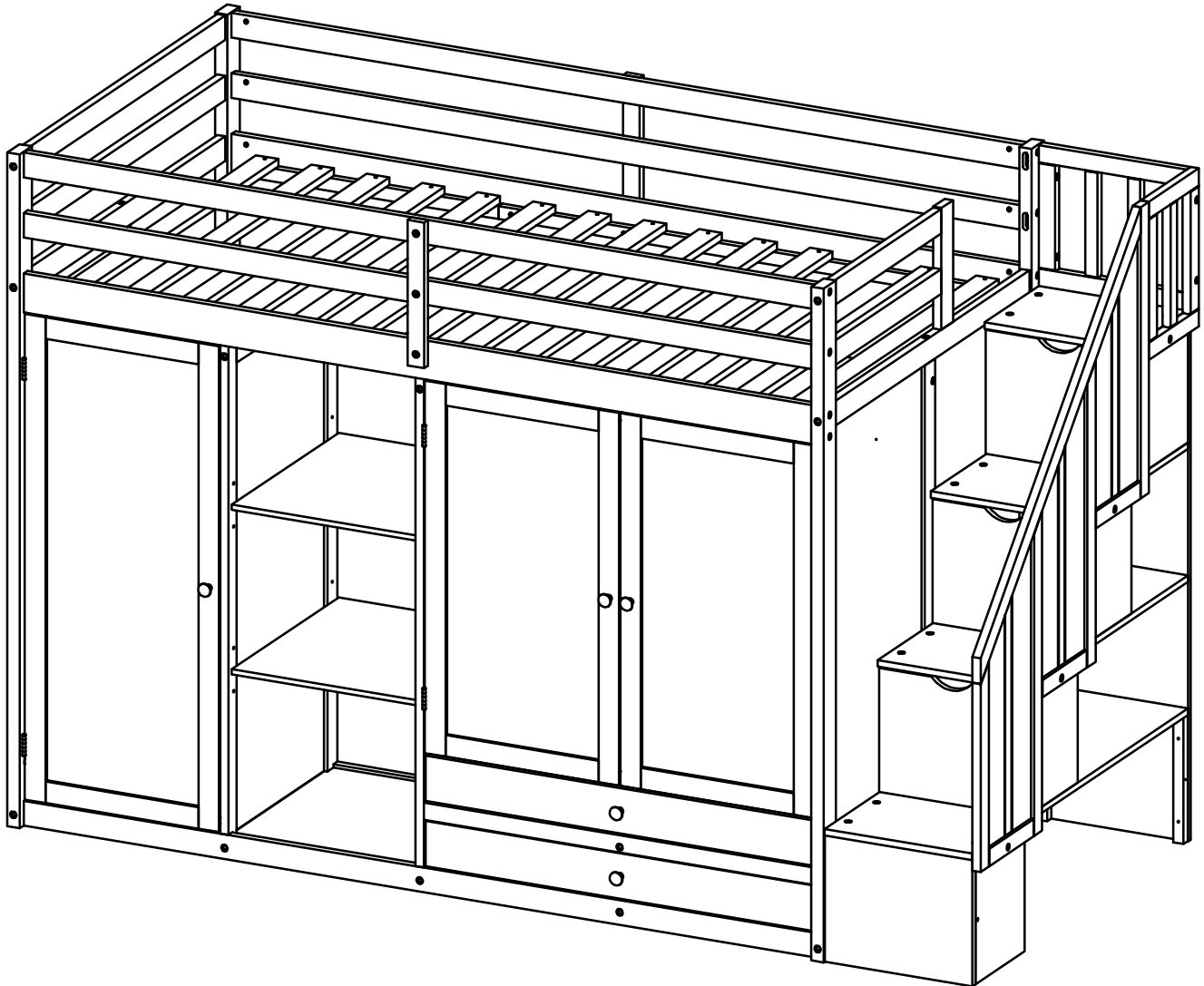
1. This bed is designed for use only mattress (es) meeting the following specifications on the upper bunk, and lower bunk

Upper bed

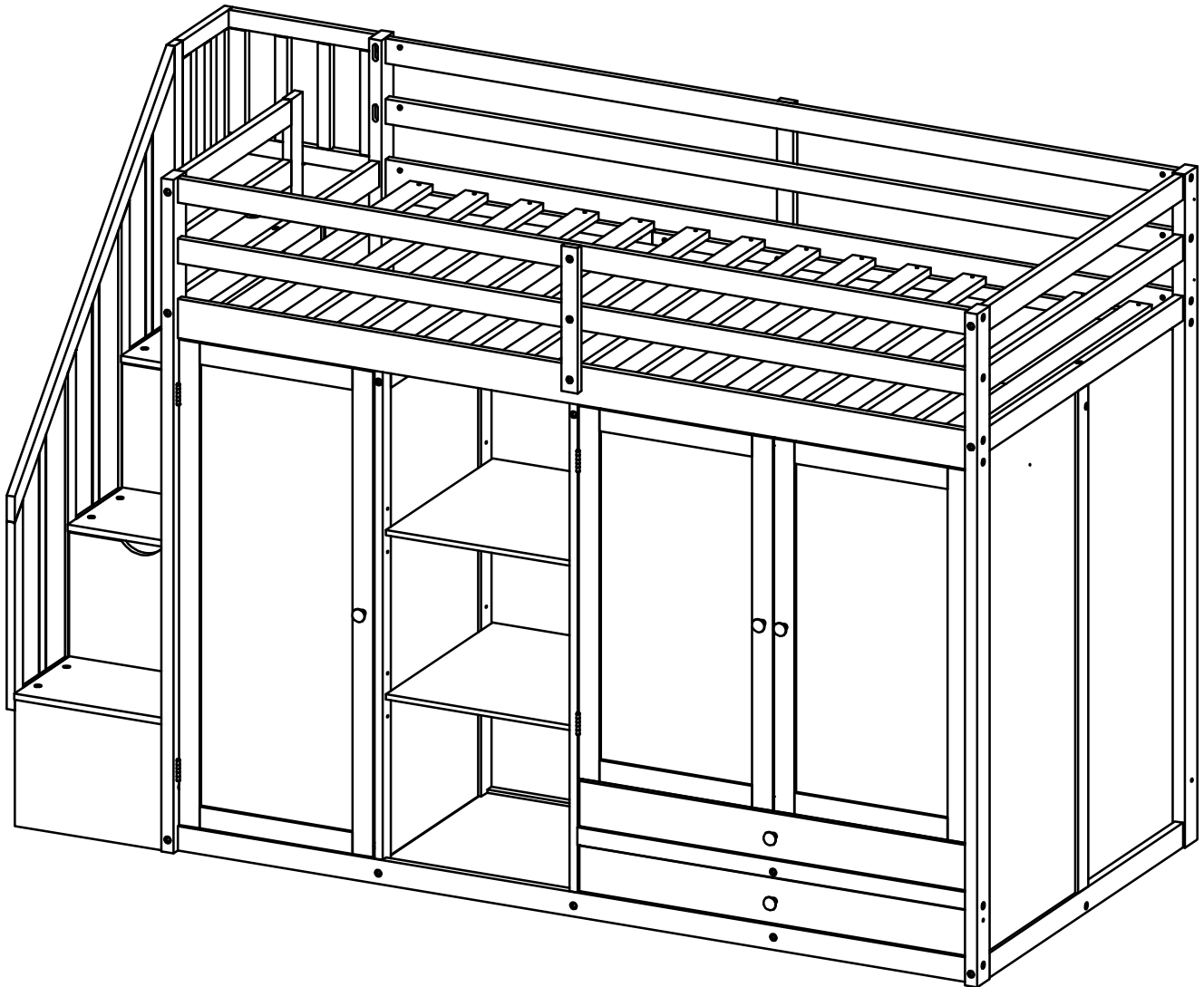
Bed Type	Length	Width	Thickness
<i>Twin Standard</i>	<i>74" - 75"</i>	<i>38 1/2"</i>	<i>6" max</i>

2. Replacement parts, including additional guardrails, maybe obtained from any of our dealers
3. Follow the information on the warnings appearing on the upper bunk bed end structure and on the carton. Do not remove warning label from bed
4. Always use the recommended size mattresses or mattress supports, or both, to help prevent the likelihood of entrapment or falls.
5. Surface of mattress must be at least 5" (127mm) below the upper edge of guardrails
6. Do not allow children under 6 years of age to use the upper bunk.
7. Periodically check and ensure that the guardrail, ladder, and other components are in their proper position, free from damage, and that all connectors are tight.
8. Do not allow horseplay on or under the bed and prohibit jumping on the bed.
9. Always use the ladder for entering and leaving the upper bunk. Always use the ladder for entering and leaving the upper bunk.
10. Do not use substitute part. Contact the manufacture or dealer for replacement part
11. Use of a night light may provide added safety precaution for a child using the upper bunk..
12. Always use guardrails on both long sides of the upper bunk. If the bunk bed will be placed next to the wall, the guardrail that runs the full length of the bed should be placed against the wall to prevent entrapment between the bed and wall.
13. The use of water or sleep flotation mattresses is prohibited
14. **STRANGULATION HAZARD** - Never attach or hang items to any part of the bunk bed that are not designed for use with the bed; for example, but not limited to, hook, belts and jump ropes
15. Keep these instruction for future reference
16. Prohibit more than one person on upper bunk
17. We recommend assembling your bunk bed on the shipping carton to protect your floor or carpet
18. Be certain all staples are out of the box before beginning assembly on the shipping carton.

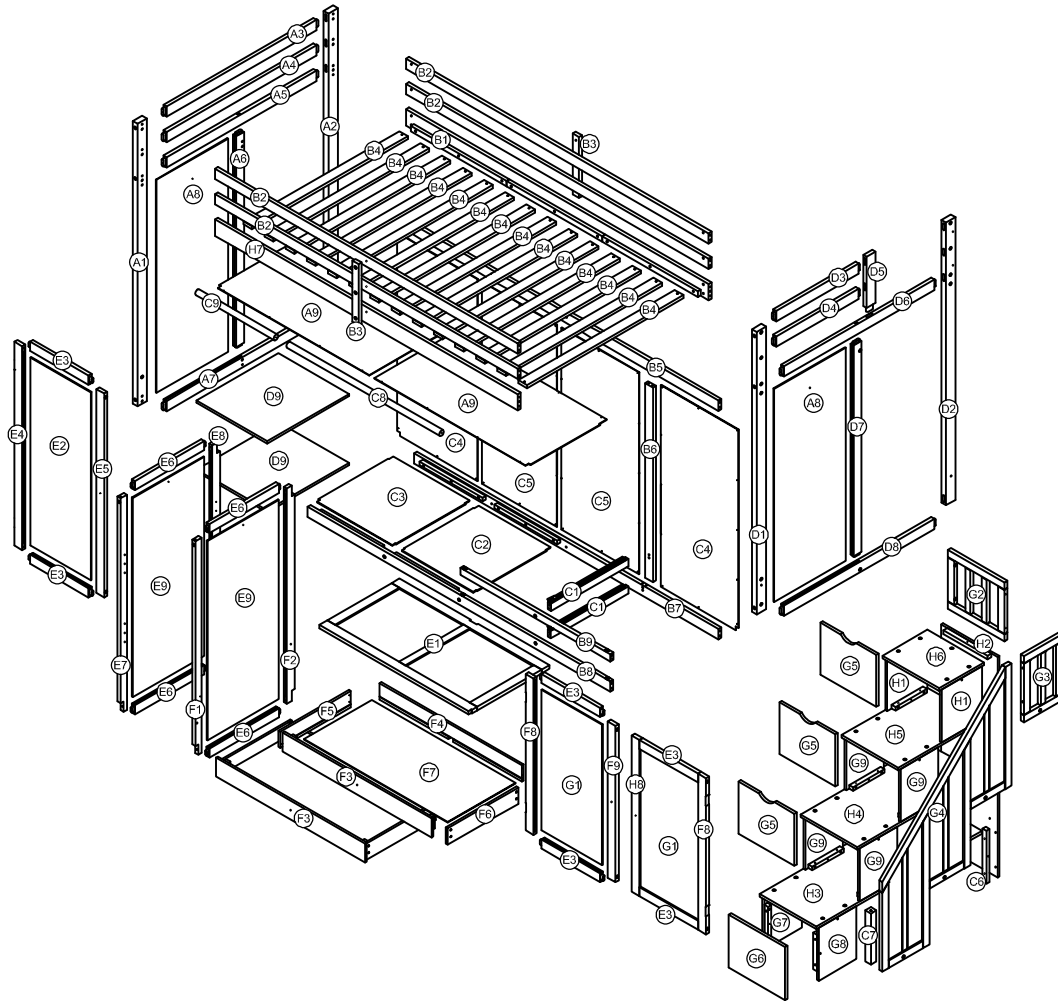
OPTION 1: STAIR IN RIGHT



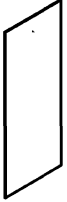
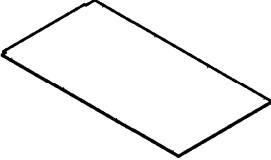
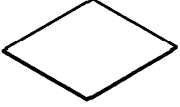
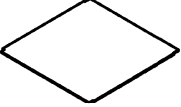
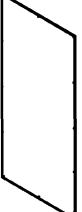

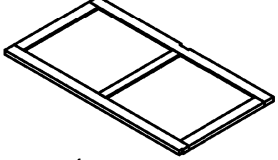
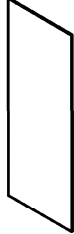
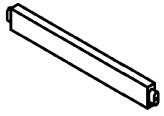
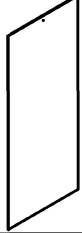


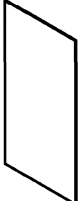

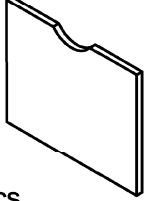

OPTION 2: STAIR IN LEFT









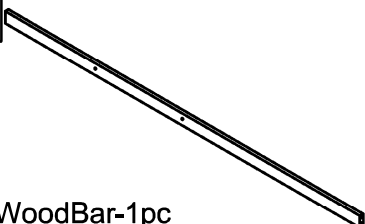
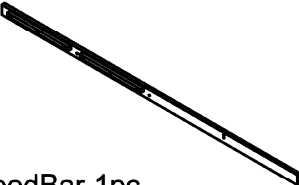
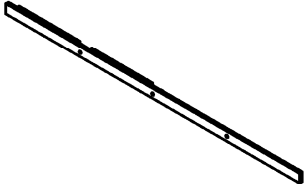
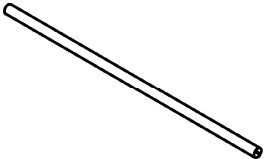
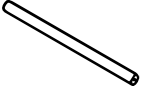


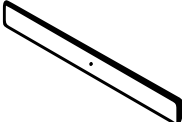
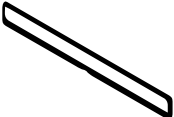
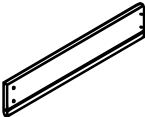
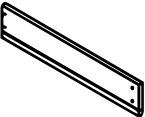

ASSEMBLY INSTRUCTION



Part List

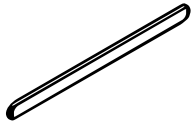
<p>A8</p>  <p>Panel-2pcs</p>	<p>A9</p>  <p>Panel-2pcs</p>	<p>C2</p>  <p>Panel-1pc</p>
<p>C3</p>  <p>Panel-1pc</p>	<p>C4</p>  <p>Panel-2pcs</p>	<p>C5</p>  <p>Panel-2pcs</p>
<p>E1</p>  <p>Frames-1pc</p>	<p>E2</p>  <p>Panel-1pc</p>	<p>E3</p>  <p>WoodBar-6pcs</p>
<p>E9</p>  <p>Panel-2pcs</p>	<p>F8</p>  <p>WoodBar-2pcs</p>	<p>F9</p>  <p>WoodBar-1pc</p>
<p>G1</p>  <p>Panel-2pcs</p>	<p>G4</p>  <p>Stair railing below-1pc</p>	<p>G5</p>  <p>Panel-3pcs</p>
<p>H8</p>  <p>WoodBar-1pc</p>		

Part List & Hardware List

<p>A1</p>  <p>Leg-1pc</p>	<p>A2</p>  <p>Leg-1pc</p>	<p>C1</p>  <p>WoodBar-2pcs</p>
<p>B1</p>  <p>Side Rail-1pc</p>	<p>B2</p>  <p>WoodBar-4pcs</p>	<p>B4</p>  <p>Slats-14pcs</p>
<p>B5</p>  <p>WoodBar-1pc</p>	<p>B7</p>  <p>WoodBar-1pc</p>	<p>B8</p>  <p>WoodBar-1pc</p>
<p>C8</p>  <p>WoodBar-1pc</p>	<p>C9</p>  <p>WoodBar-1pc</p>	<p>D1</p>  <p>Leg-1pc</p>
<p>D2</p>  <p>Leg-1pc</p>	<p>F3</p>  <p>Drawer front panels-2pcs</p>	<p>F4</p>  <p>Drawer Rear-2pcs</p>
<p>F5</p>  <p>Drawer panels-2pcs</p>	<p>F6</p>  <p>Drawer panels-2pcs</p>	<p>H7</p>  <p>Side Rail-1pc</p>

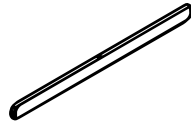
Part List

A4



WoodBar-1pc

A5



WoodBar-1pc

A6



WoodBar-1pc

A7



WoodBar-1pc

B3



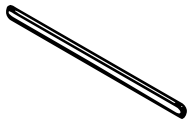
WoodBar-2pcs

B6



WoodBar-1pc

B9



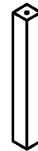
WoodBar-1pc

C6



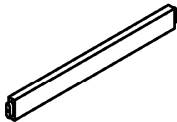
WoodBar-2pcs

C7



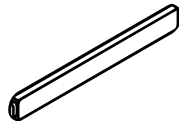
WoodBar-1pc

D3



WoodBar-1pc

D4



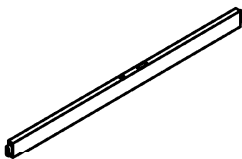
WoodBar-1pc

D5



WoodBar-1pc

D6



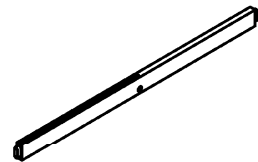
WoodBar-1pc

D7



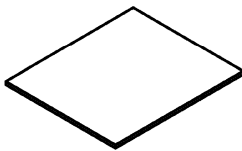
WoodBar-1pc

D8



WoodBar-1pc

D9



Panel-2pcs

E4



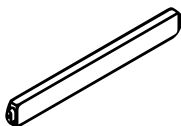
WoodBar-1pc

E5



WoodBar-1pc

E6



WoodBar-4pcs

E7



WoodBar-1pc

E8



WoodBar-1pc

Part List

F1

WoodBar-1pc



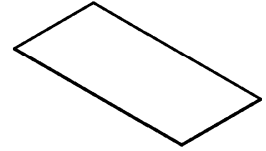
F2

WoodBar-1pc



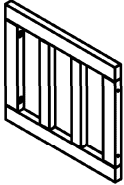
F7

Drawer Bottom Panels-2pcs



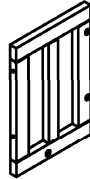
G2

Stair railing above-1pc



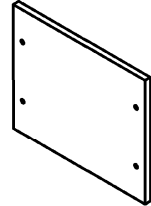
G3

Stair railing above-1pc



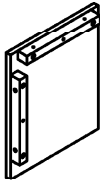
G6

Panel-1pc



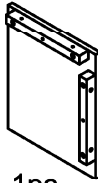
G7

Panel-1pc



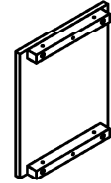
G8

Panel-1pc



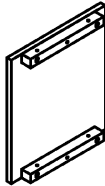
G9

Panel-4pcs



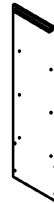
H1

Panel-2pcs



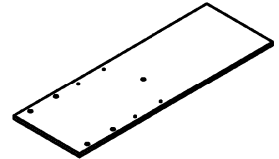
H2

Panel-1pc



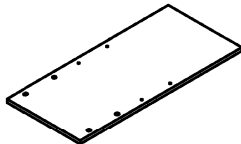
H3

Panel-1pc



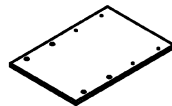
H4

Panel-1pc



H5

Panel-1pc



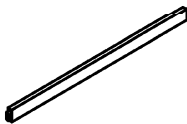
H6

Panel-1pc

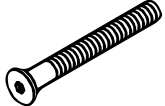
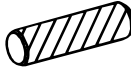







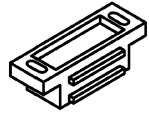

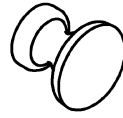
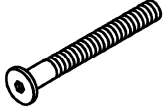

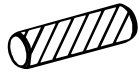
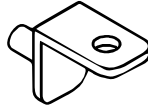





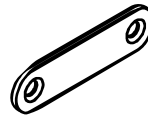
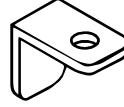



A3


WoodBar-1pc

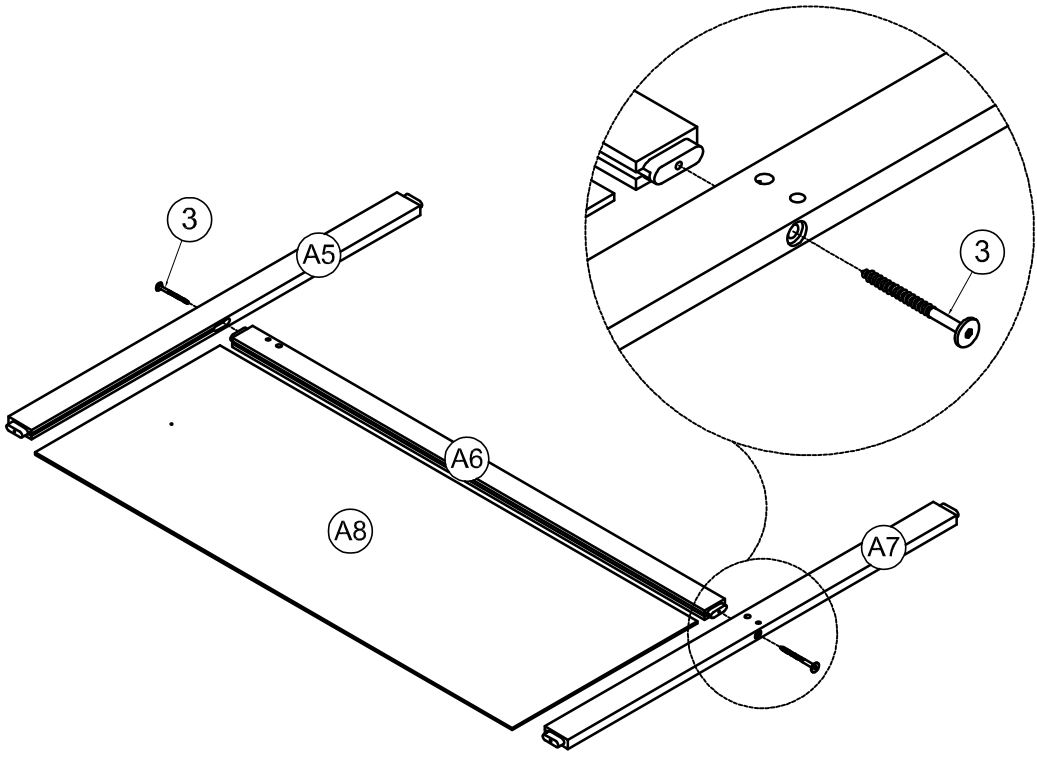


Hardware List


<p>1</p>  <p>Ø1/4" x 70 mm Hex-Head bolts 22pcs</p>	<p>2</p>  <p>Ø10 x 40 mm Wood dowel 18pcs</p>	<p>3</p>  <p>Screws 1/4" x80 28pcs</p>
<p>4</p>  <p>Ø1/4" x 13 mm Horizontal-Hole bolts 28pcs</p>	<p>5</p>  <p>Screws 1/4" x30 39pcs</p>	<p>6</p>  <p>M4 x 30 mm Wood Screws 48pcs</p>
<p>7</p>  <p>Ø1/4" x 30 mm Hex-Head bolts 5pcs</p>	<p>8</p>  <p>M3 x 12 mm Wood Screws 18pcs</p>	<p>9</p>  <p>M3 x 15 mm Wood Screws 22pcs</p>
<p>10</p>  <p>12pcs</p>	<p>11</p>  <p>M4 x 25 mm Wood Screws 5pcs</p>	<p>12</p>  <p>Handle Wood 5pcs</p>
<p>13</p>  <p>Ø1/4" x 50 mm Hex-Head bolts 6pcs</p>	<p>14</p>  <p>Allen Key 1pc</p>	<p>15</p>  <p>Ø8 x 30 mm Wood dowel 10pcs</p>
<p>16</p>  <p>12pcs</p>	<p>17</p>  <p>Runner- 340mm 2pcs</p>	<p>18</p>  <p>Screws 1/4" x50 19pcs</p>
<p>19</p>  <p>Screws 1/4" x60 7pcs</p>	<p>20</p>  <p>M4 x 15 mm Wood Screws 80pcs</p>	<p>21</p>  <p>M3.5 x 12 mm Wood Screws 22pcs</p>
<p>22</p>  <p>2pcs</p>	<p>23</p>  <p>2pcs</p>	<p>Assembly Tools Required (Not Included)</p>  <p>10/28</p>

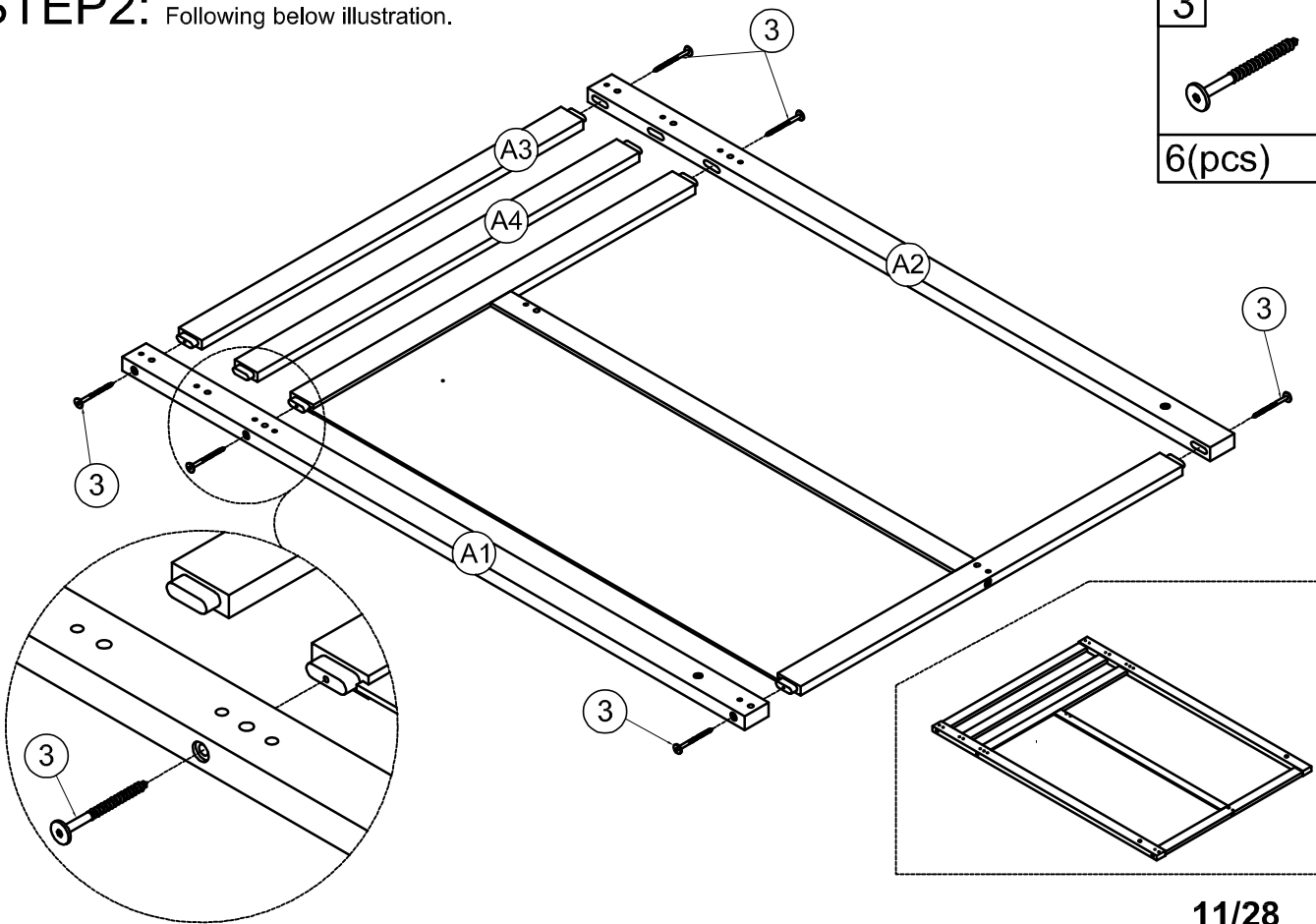
STEP1: Following below illustration.

3

2(pcs)





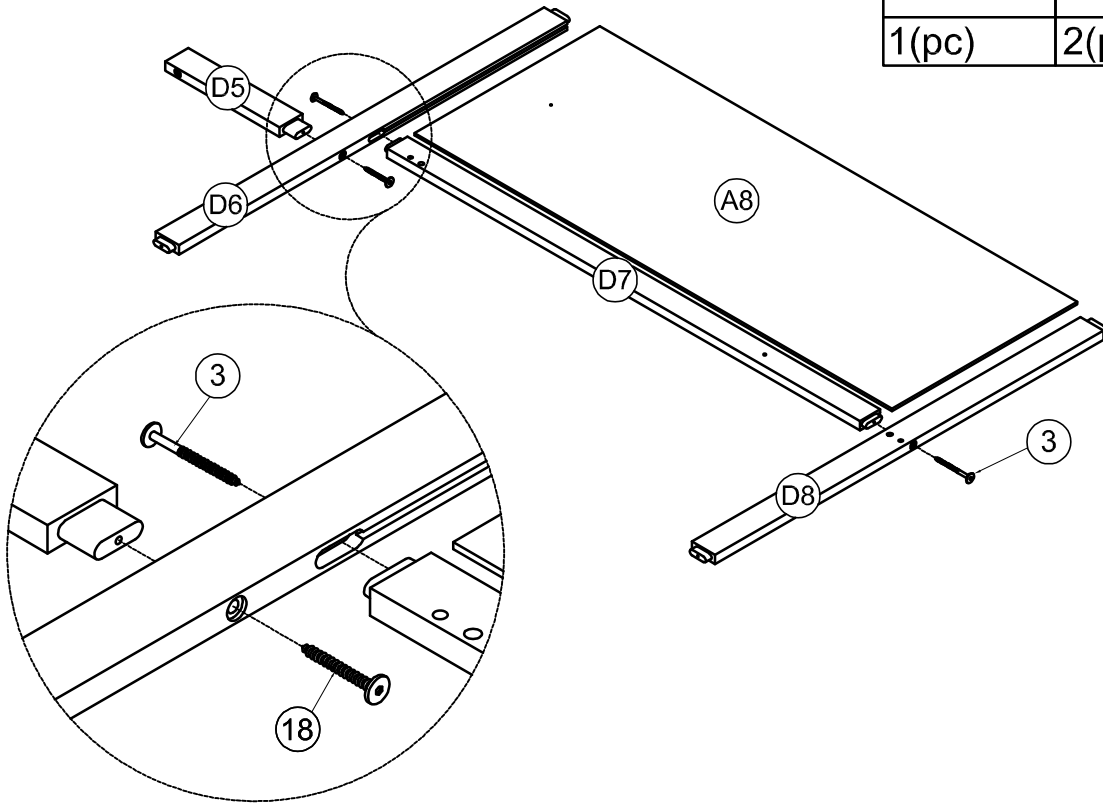
STEP2: Following below illustration.

3

6(pcs)




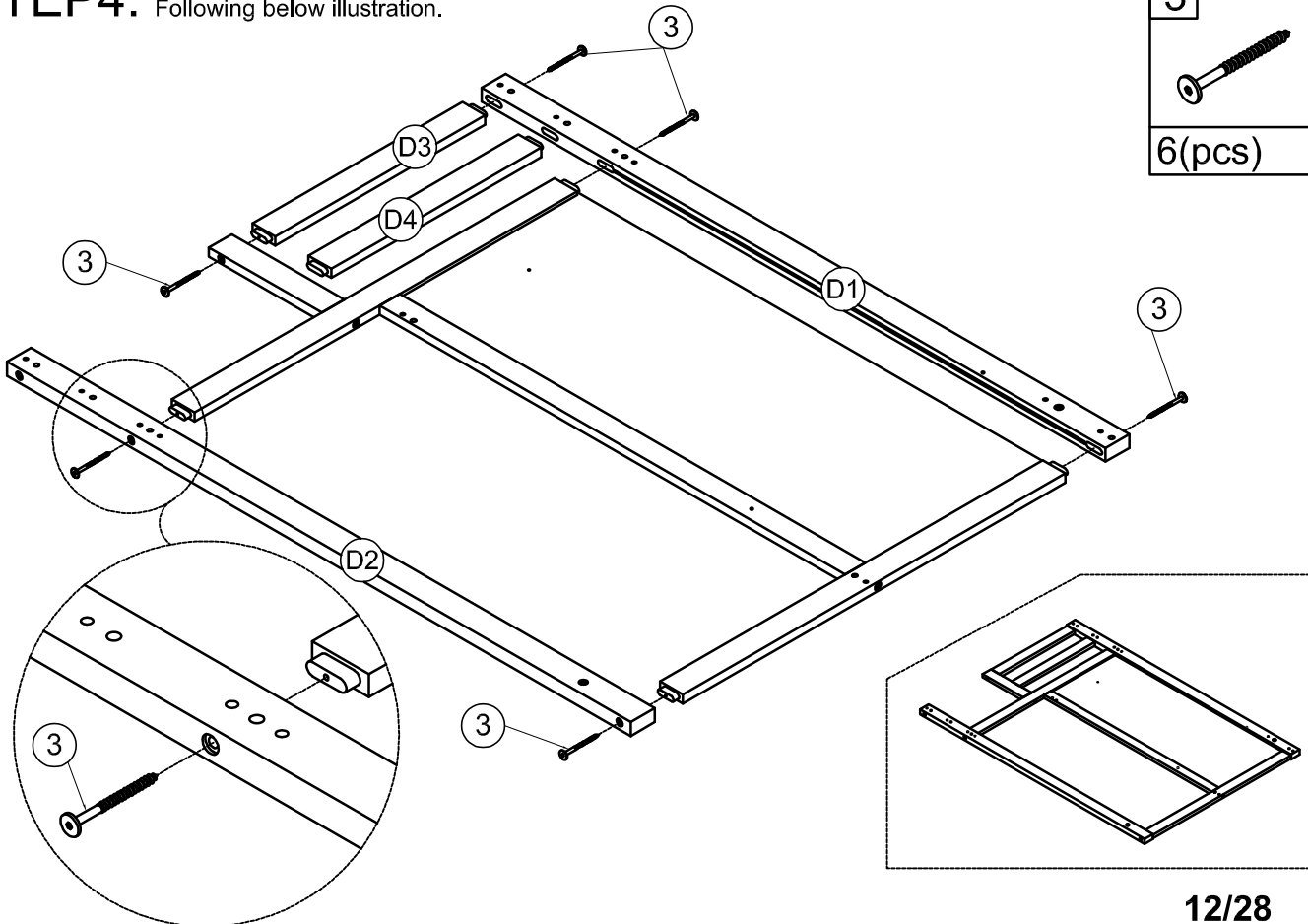
STEP3: Following below illustration.

18	3
	
1(pc)	2(pcs)



STEP4: Following below illustration.

3

6(pcs)

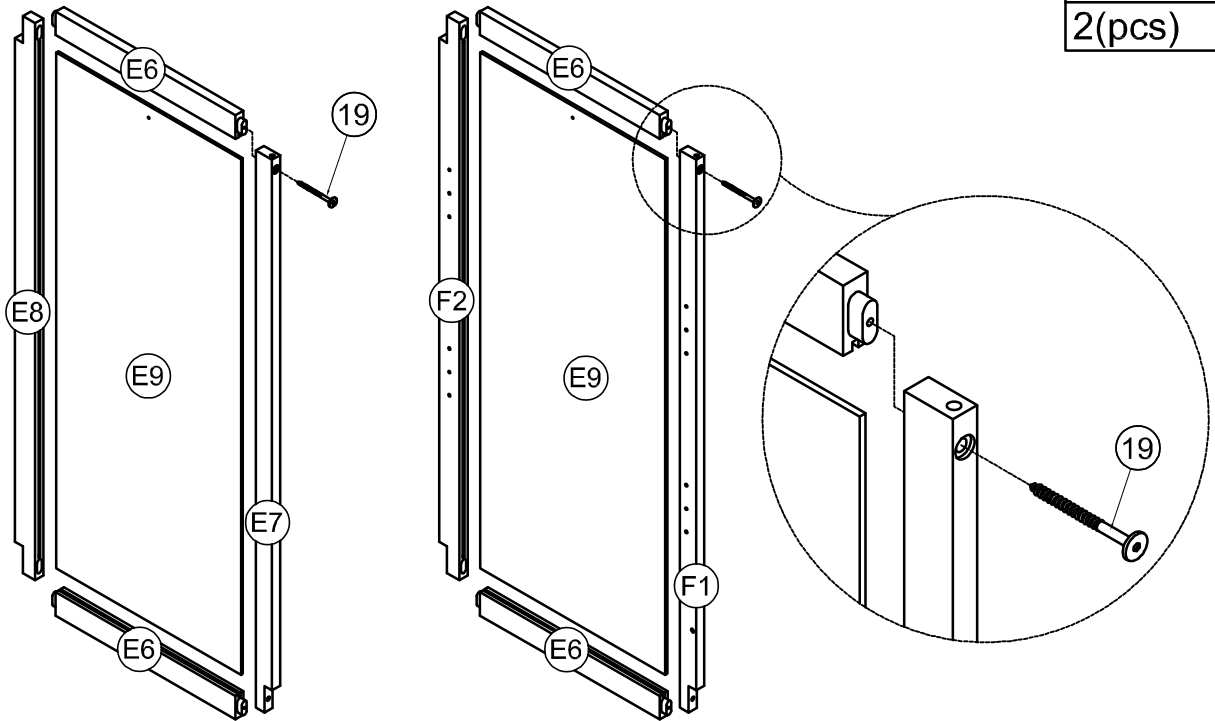


STEP5: Following below illustration.

19



2(pcs)



STEP6: Following below illustration.

15

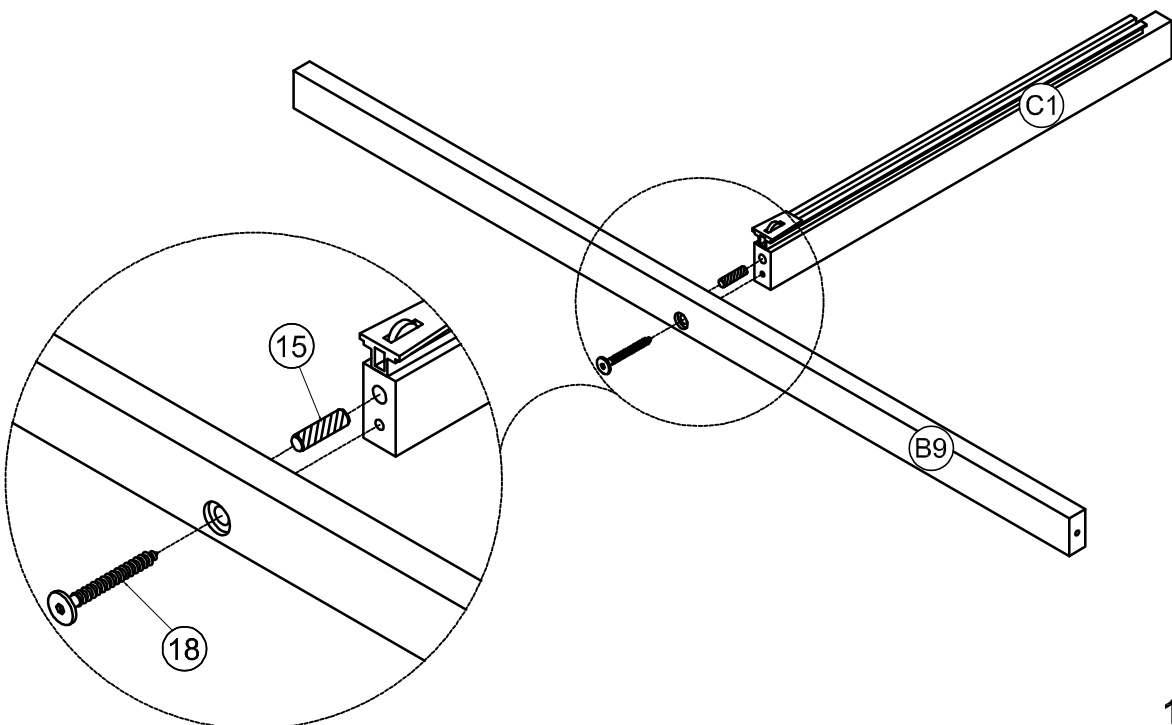


1(pc)



18

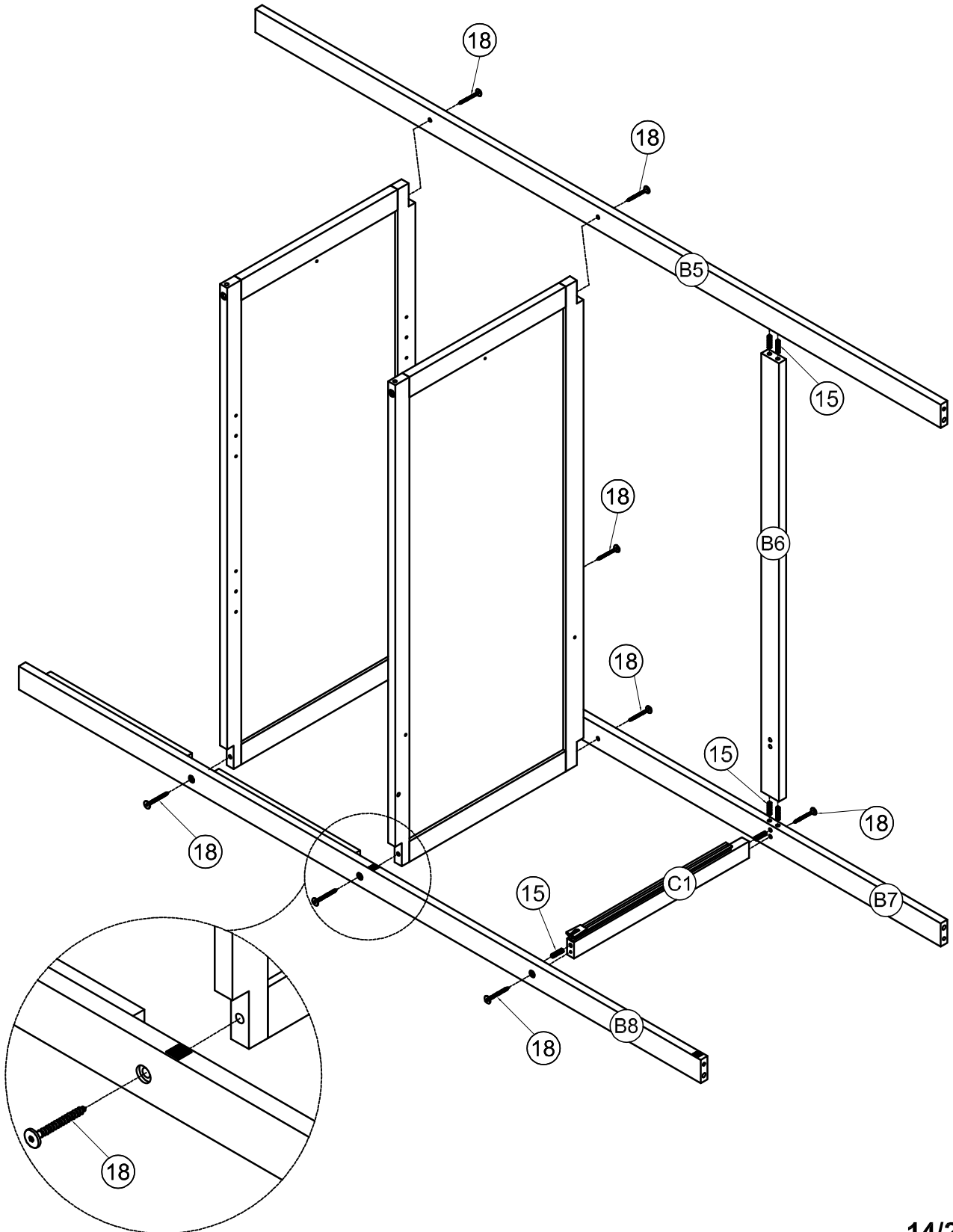


1(pc)


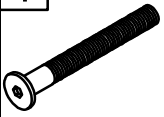






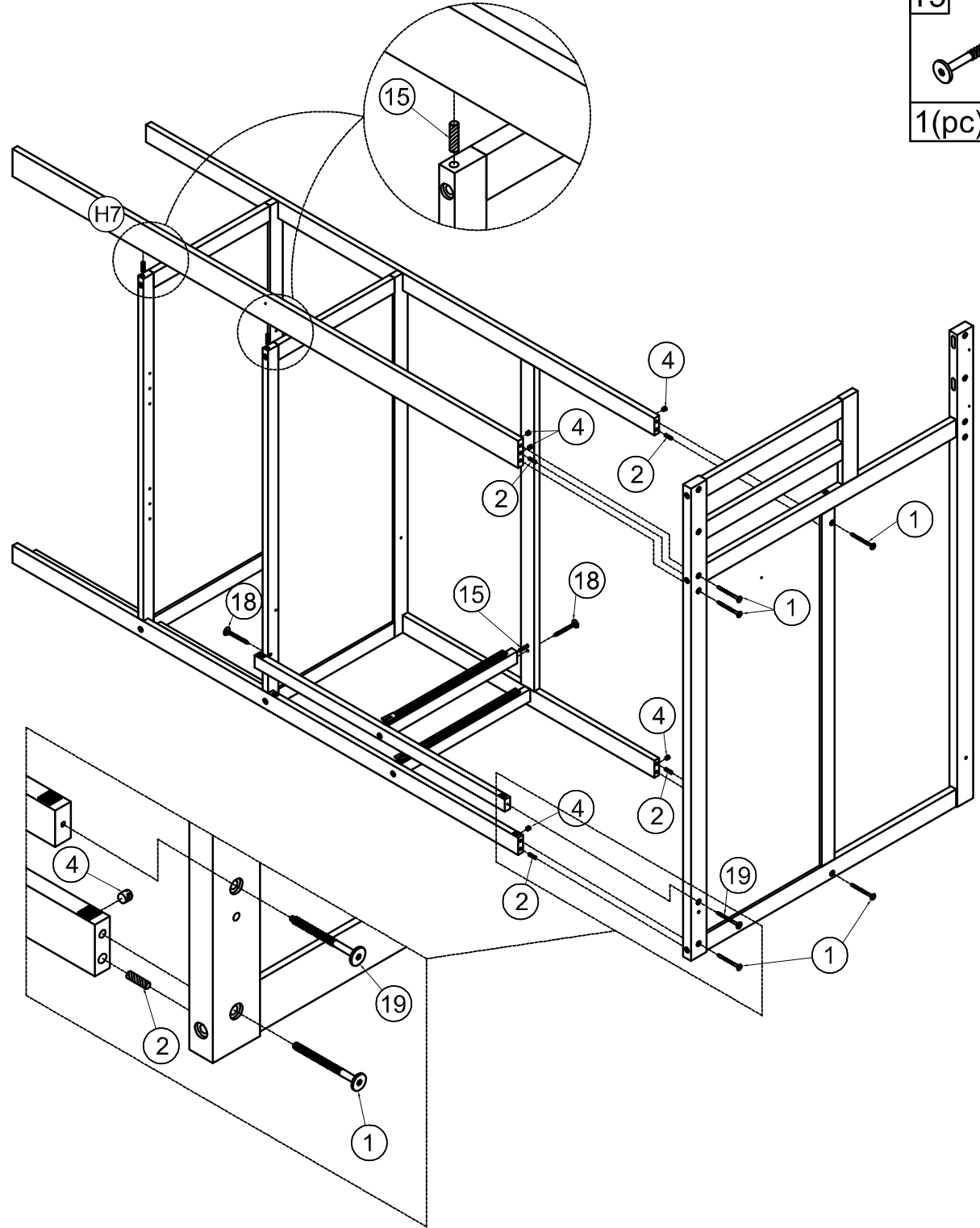
STEP 7: Following below illustration.

15		18	
6(pcs)		8(pcs)	






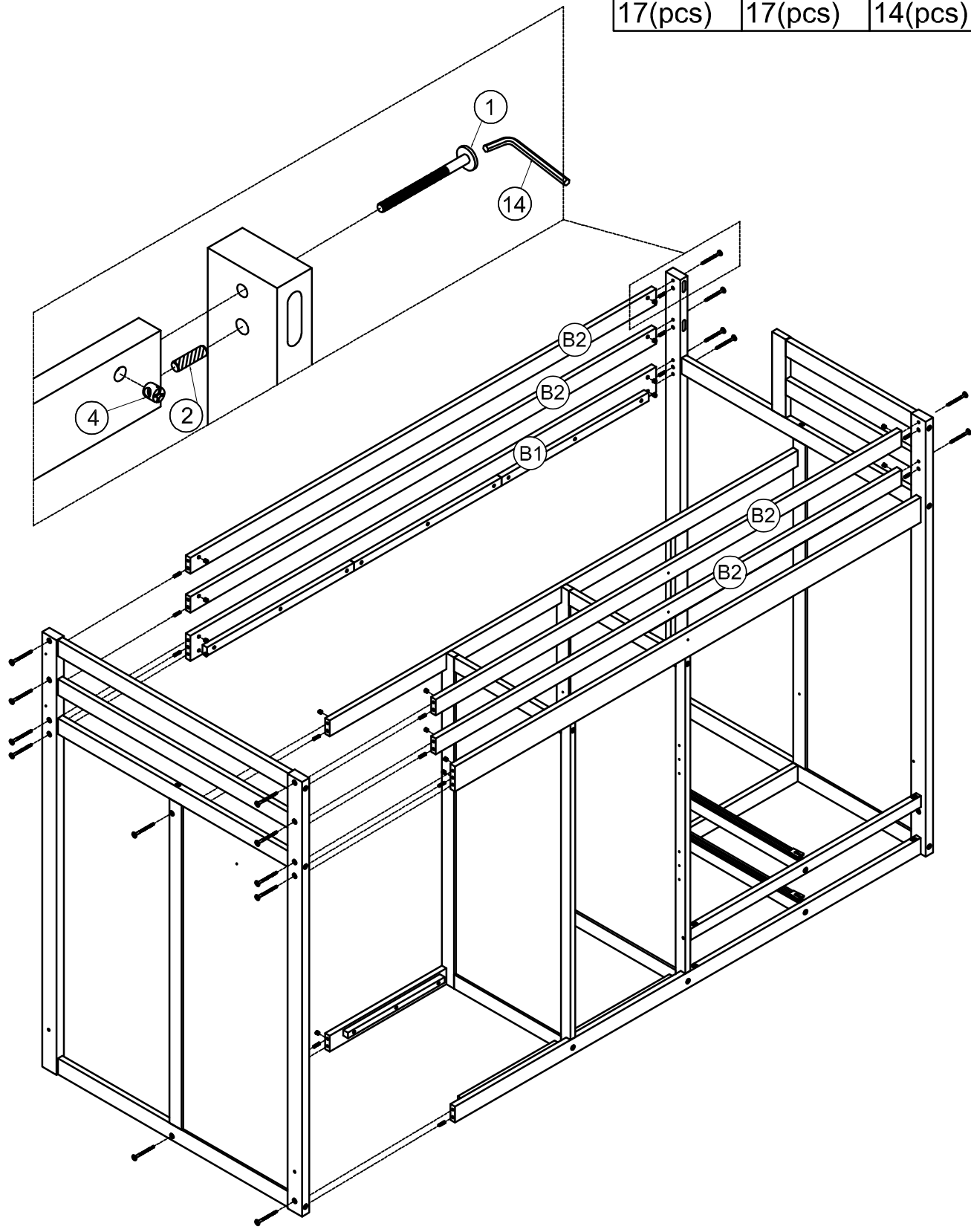
STEP8: Following below illustration.

4		1		2		15		18	
5(pcs)		5(pcs)		4(pcs)		3(pc)		2(pcs)	
								19	
								1(pc)	







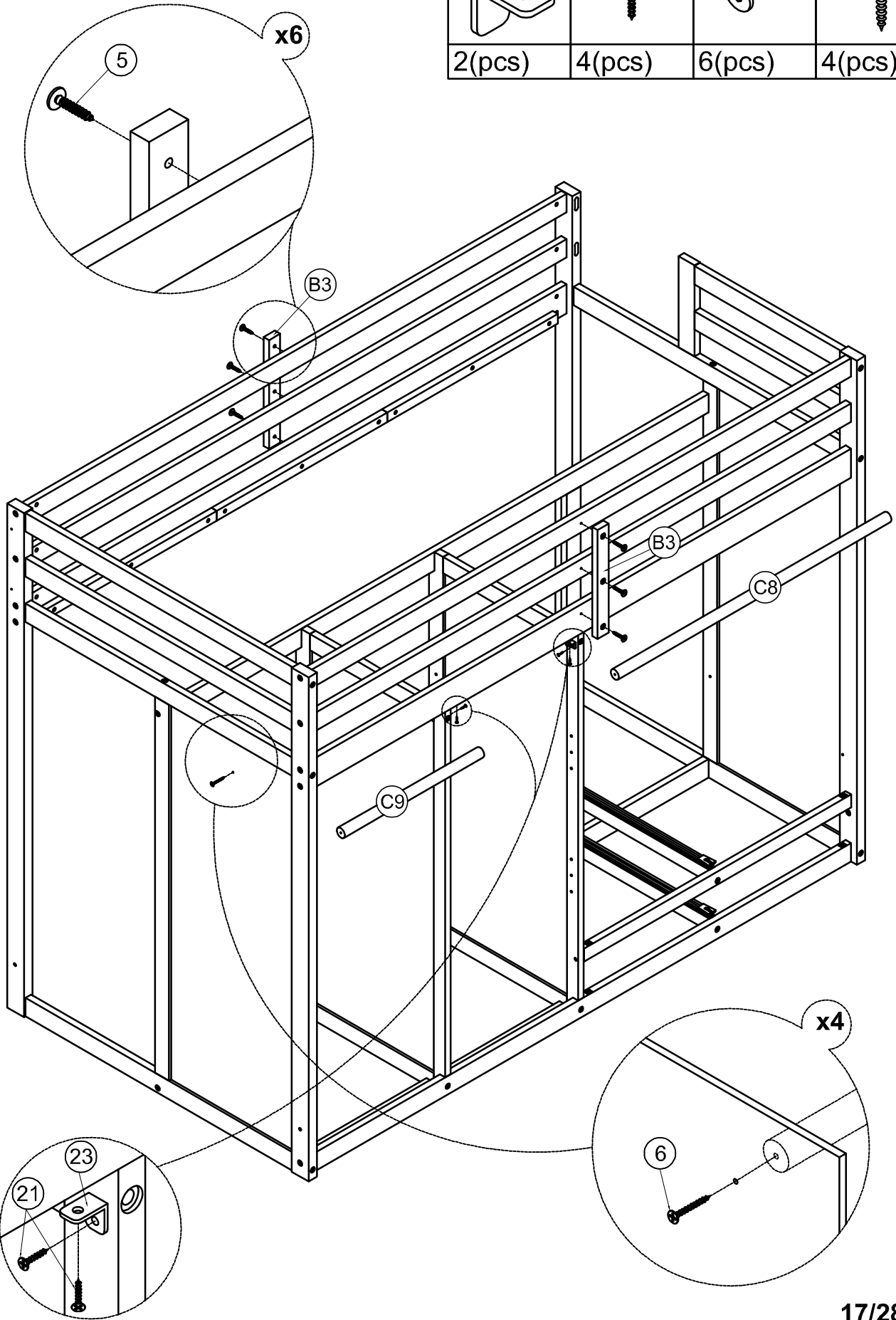
STEP9: Following below illustration.

4		1		2	
17(pcs)		17(pcs)		14(pcs)	



STEP 10: Following below illustration.

23	21	5	6
			
2(pcs)	4(pcs)	6(pcs)	4(pcs)

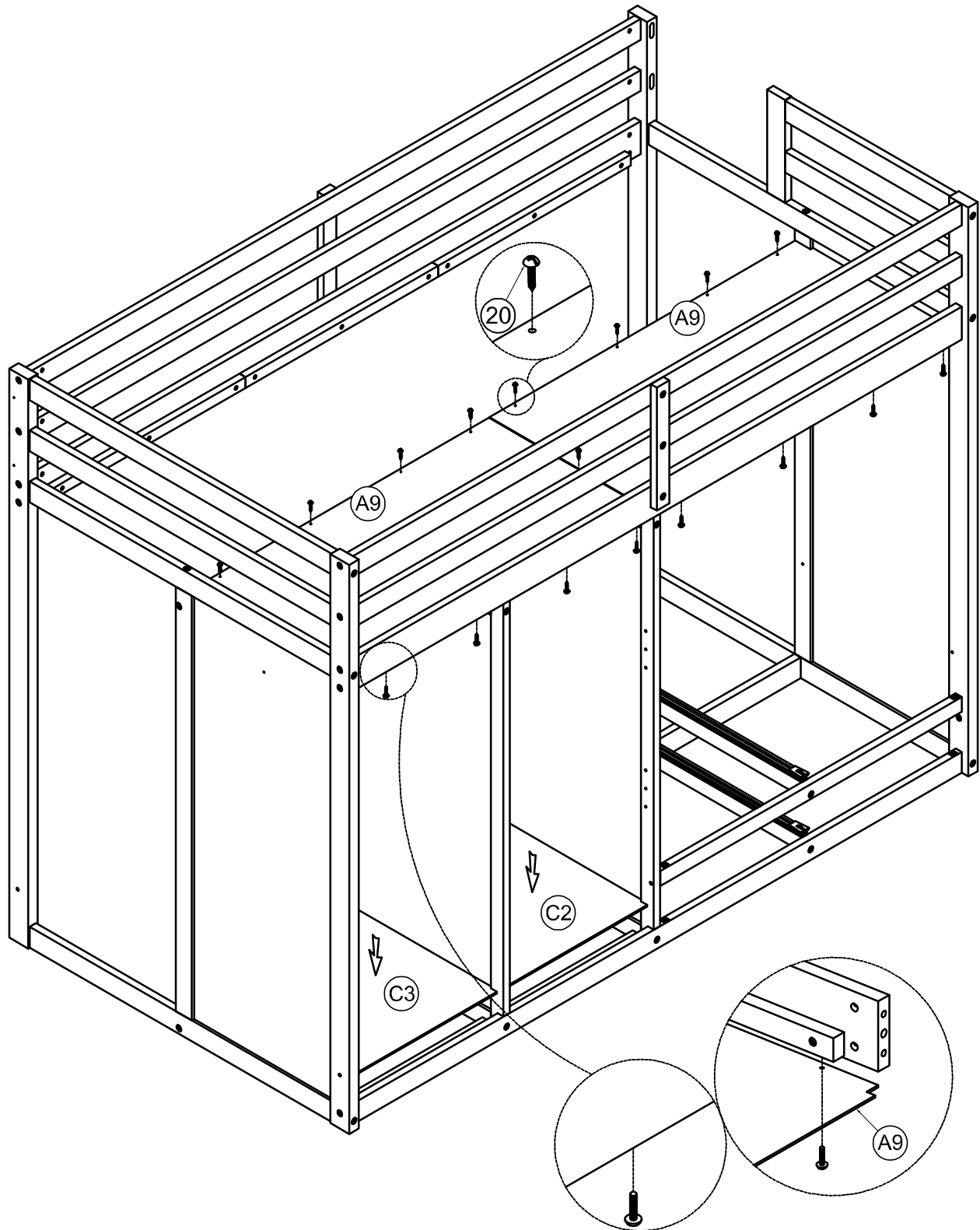


STEP 11: Following below illustration.



20

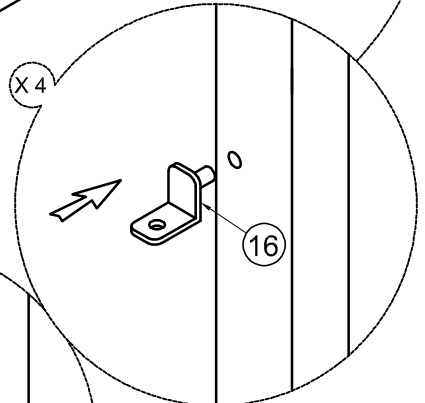
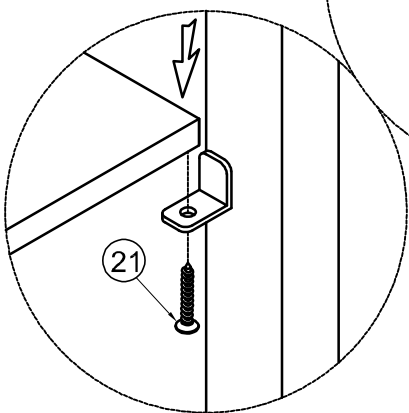
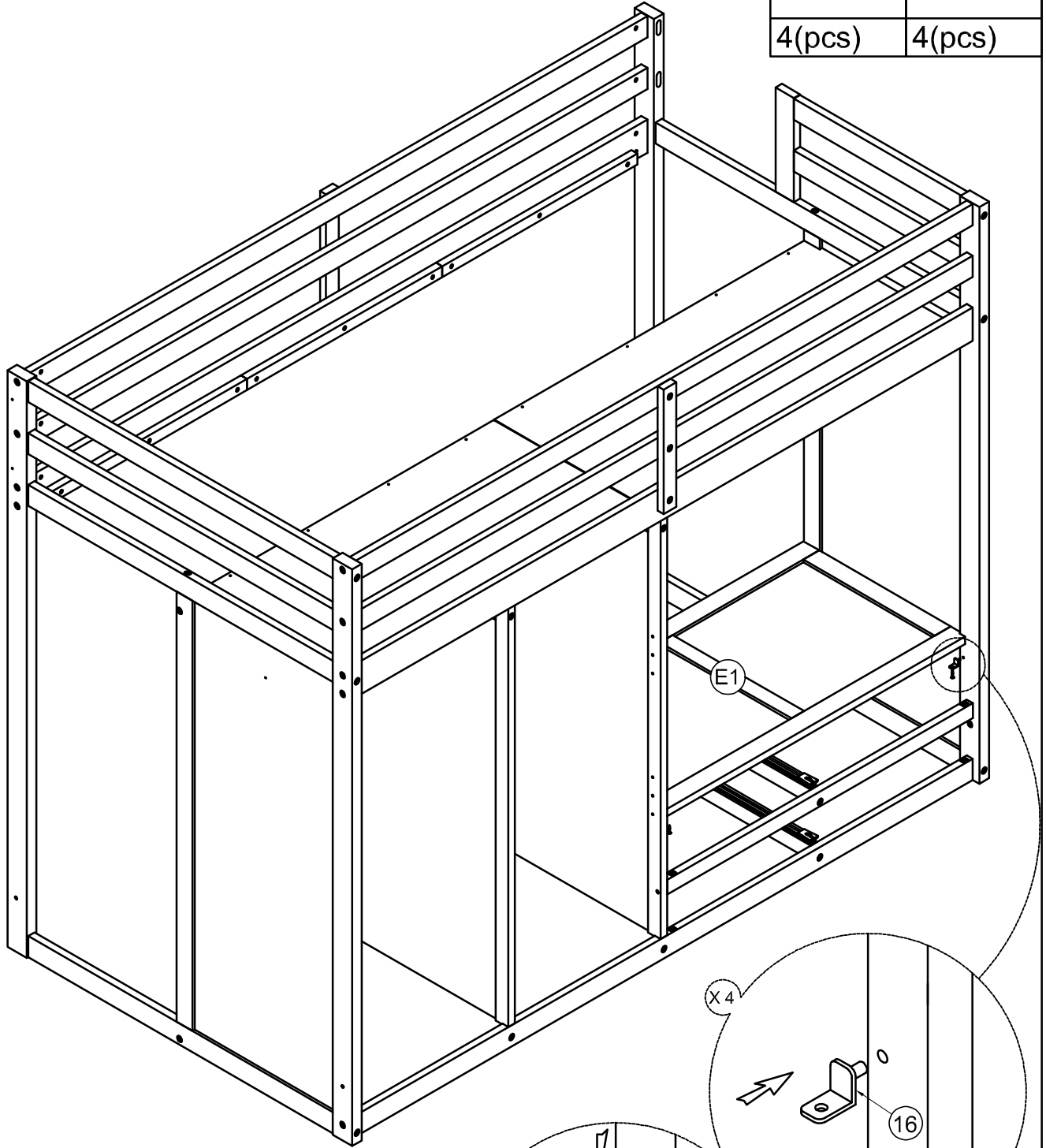


17(pcs)



STEP 12: Following below illustration.

16	21
	
4(pcs)	4(pcs)

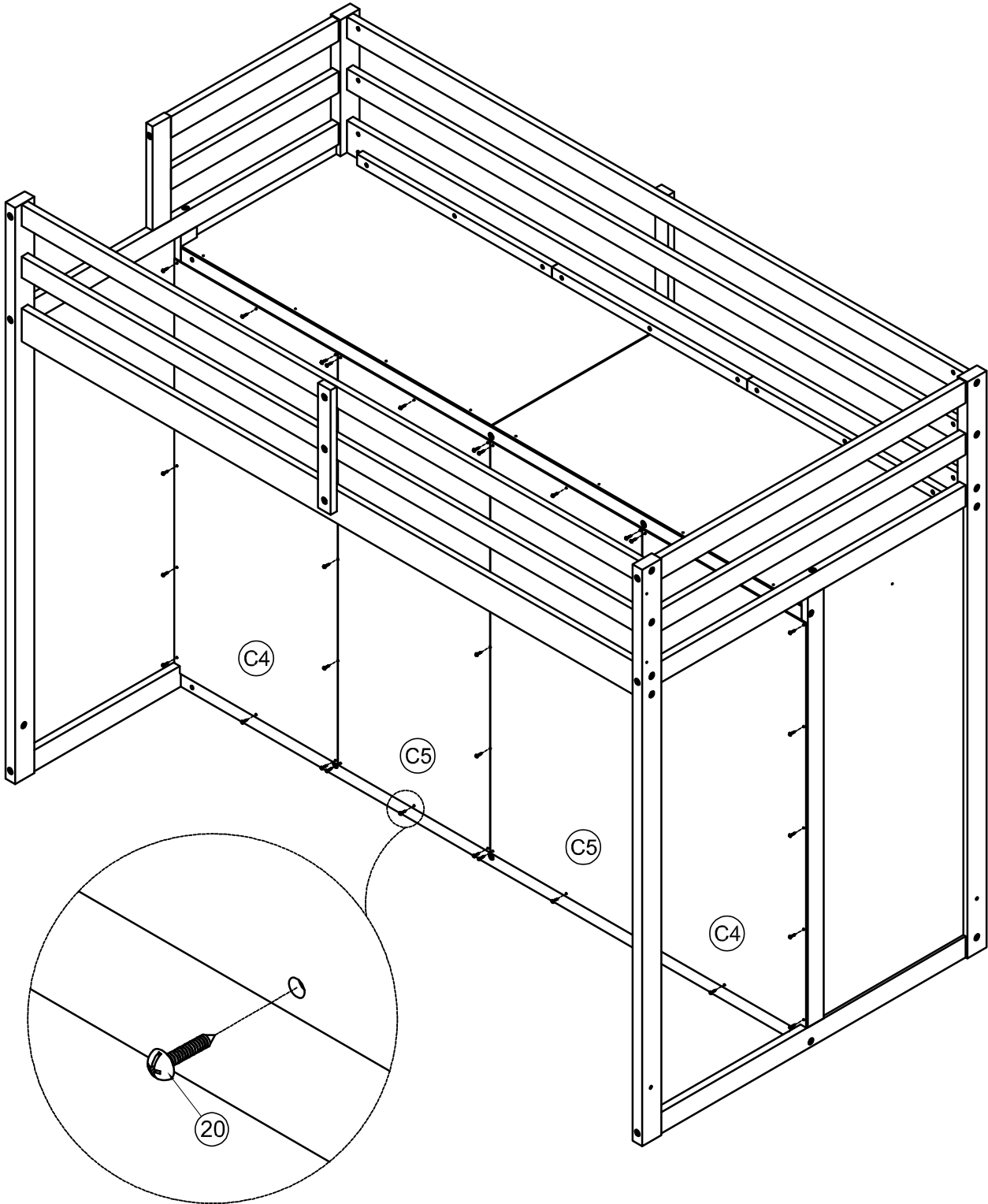


STEP 13: Following below illustration.






20

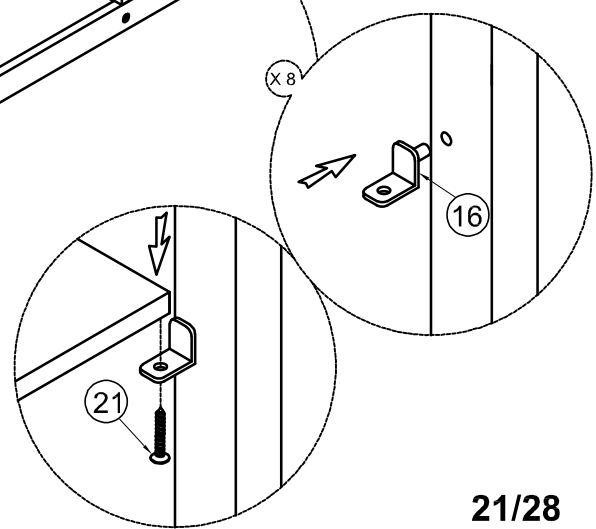
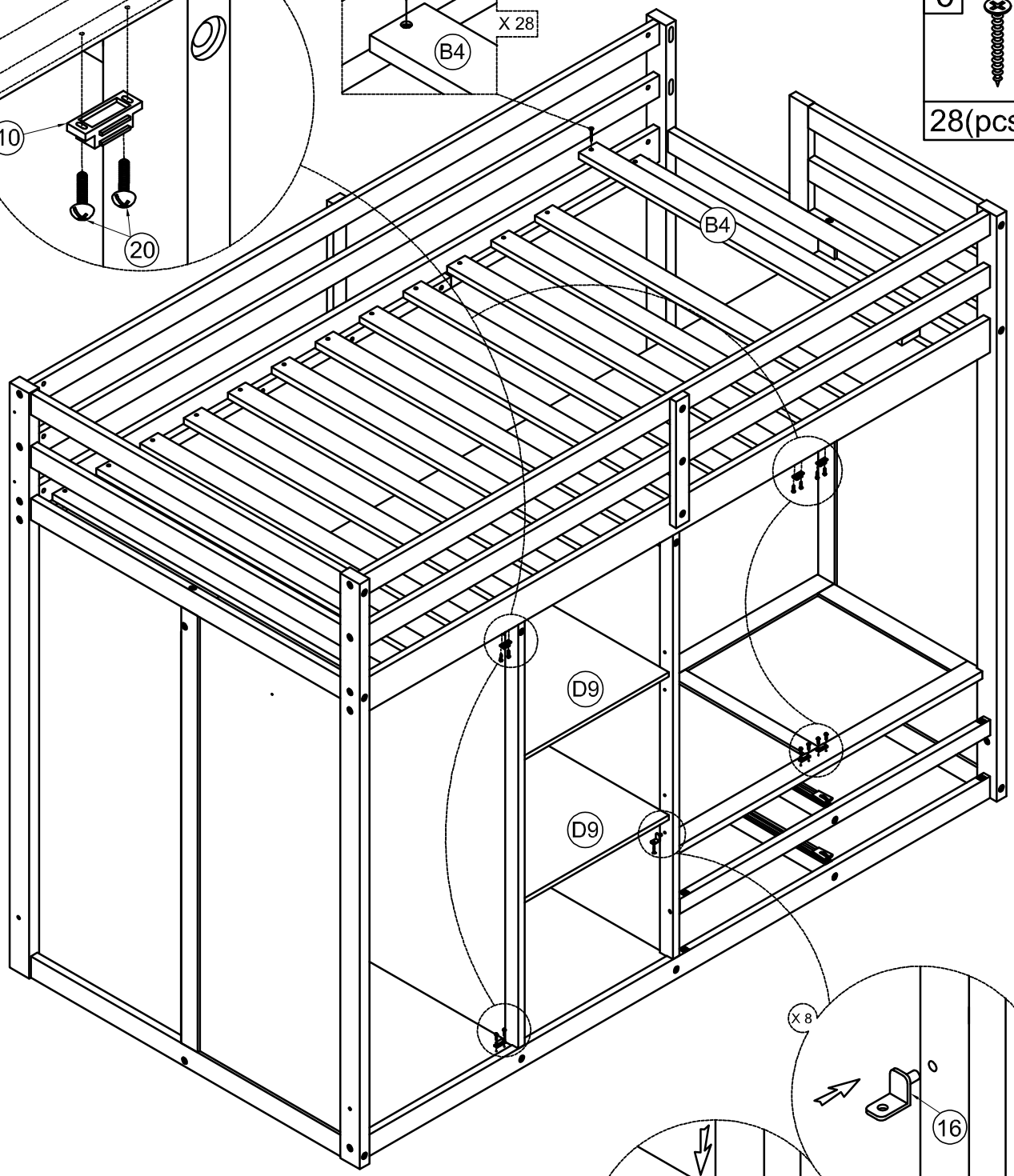
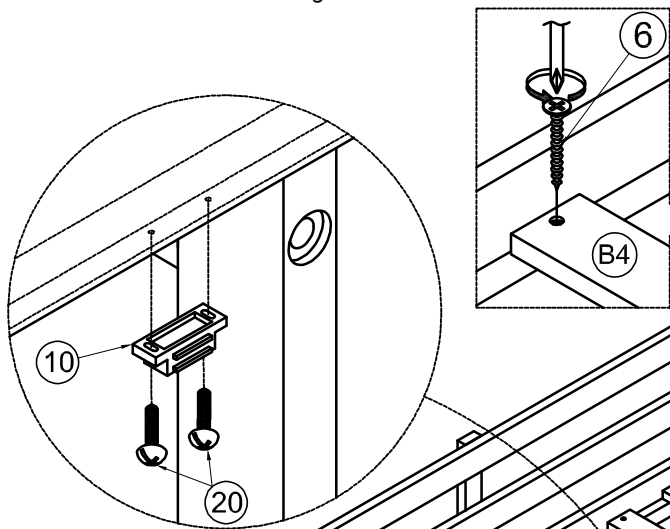


39(pcs)

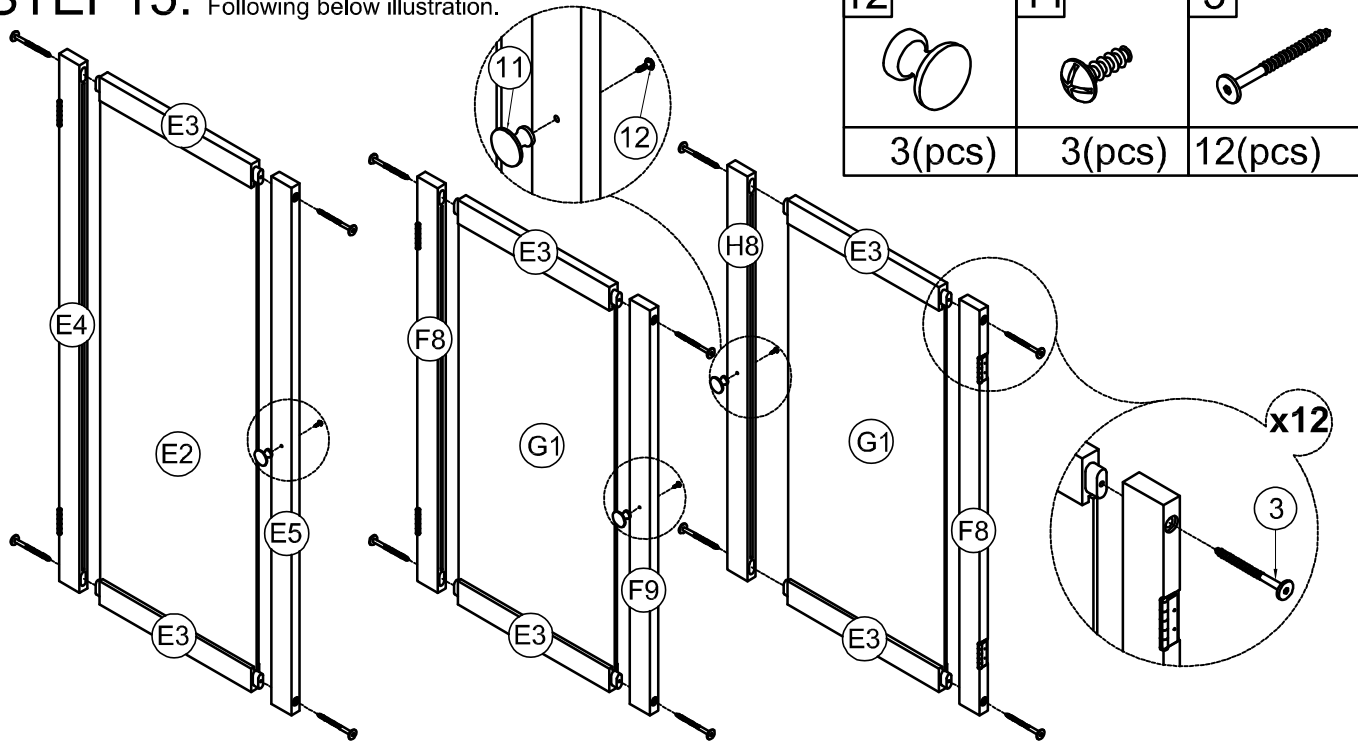


STEP 14: Following below illustration.

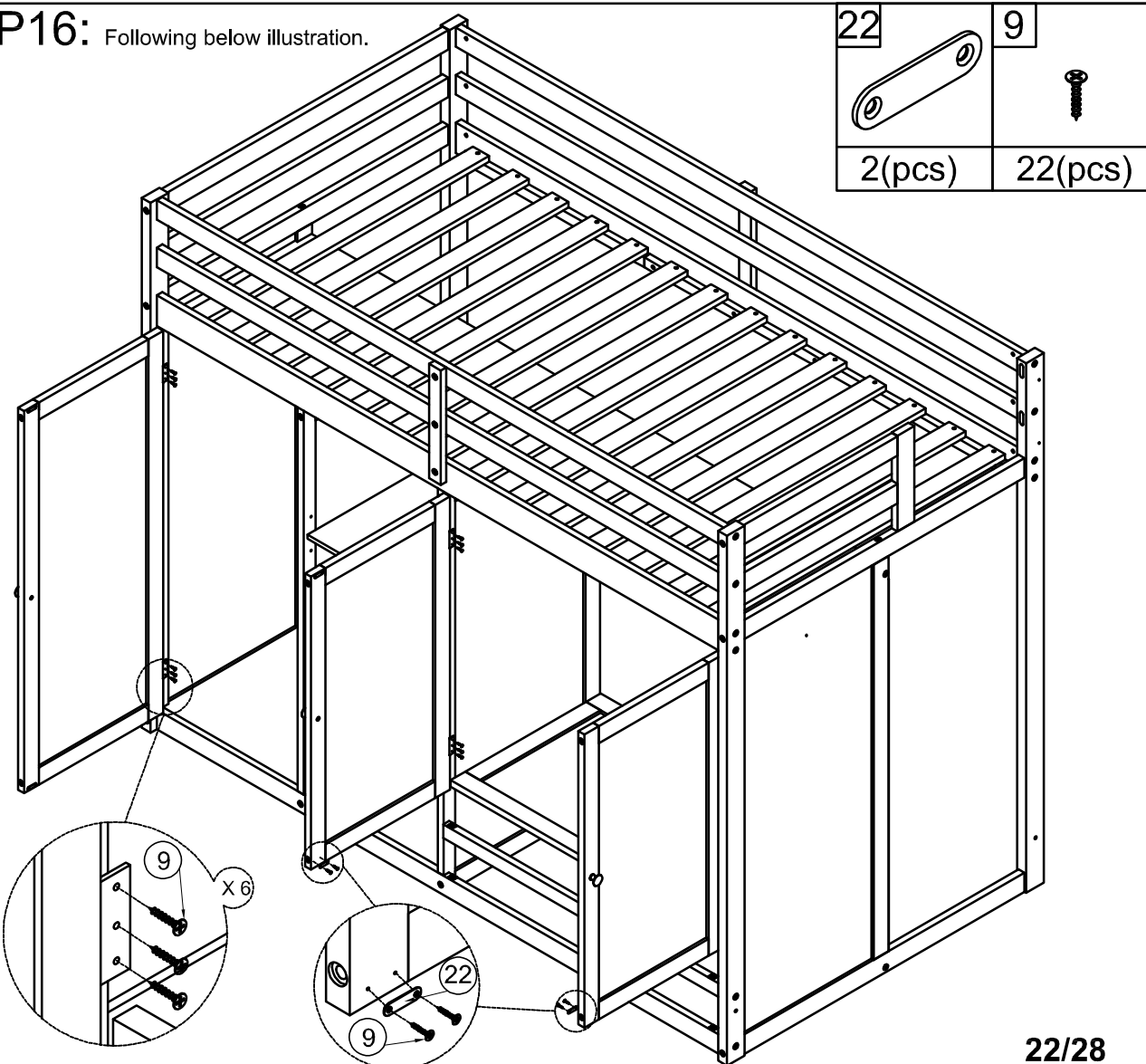
16	21	10	20
			
8(pcs)	8(pcs)	6(pcs)	12(pcs)
			6
			
			28(pcs)





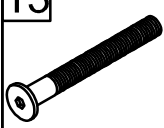

STEP 15: Following below illustration.

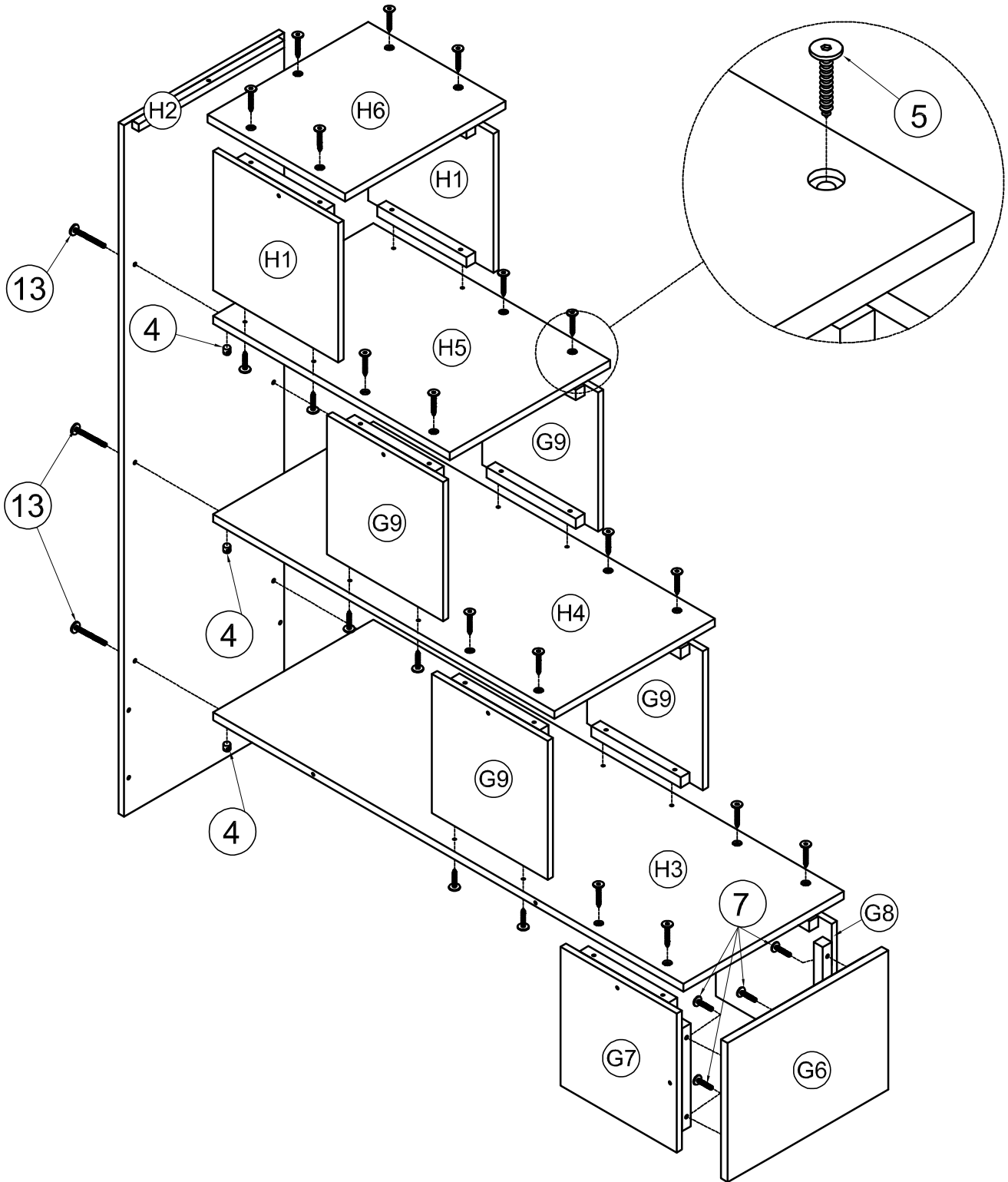


STEP 16: Following below illustration.







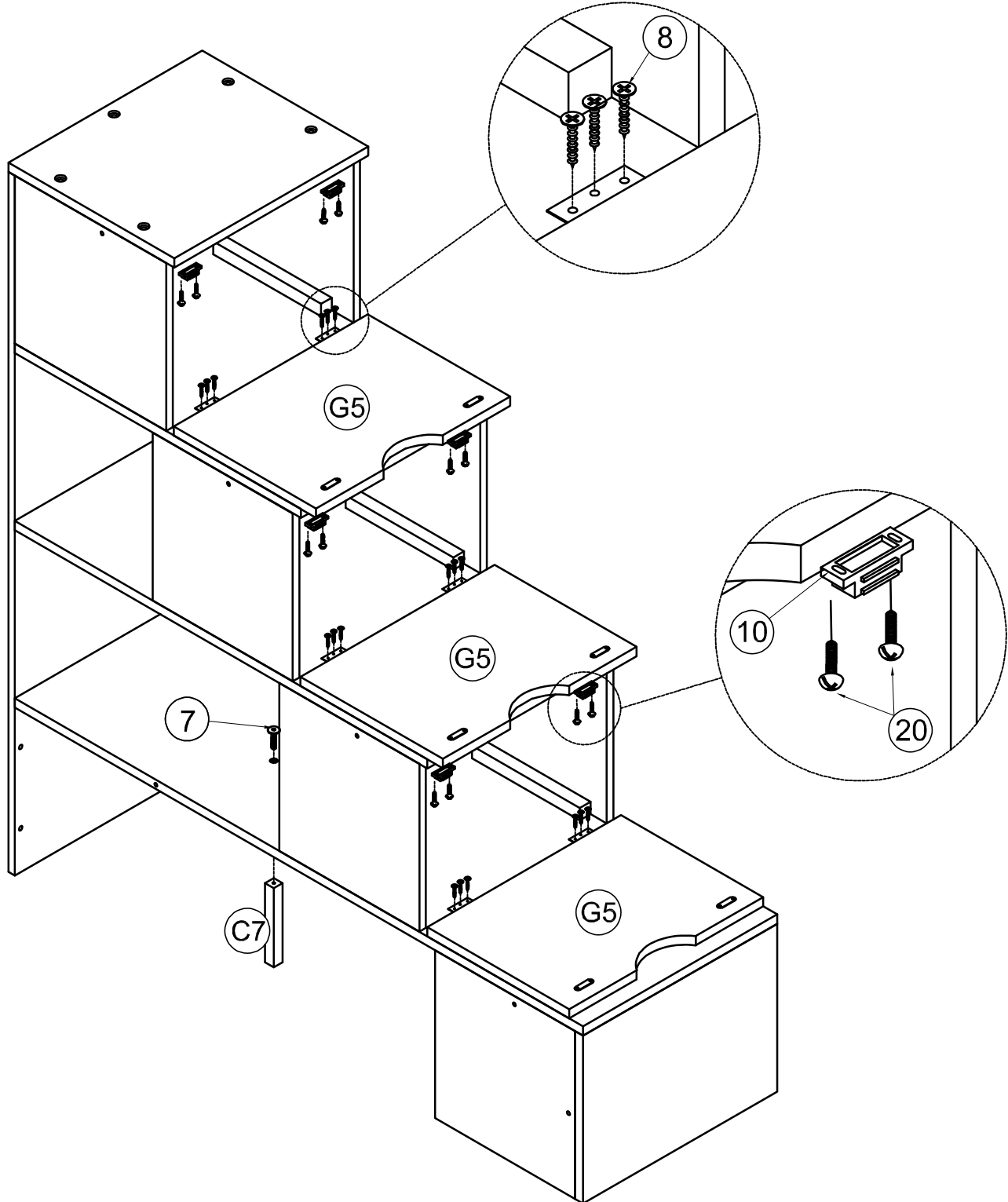
STEP 17: Following below illustration.

7	4	13	5
			
4(pcs)	6(pcs)	6(pcs)	29(pcs)





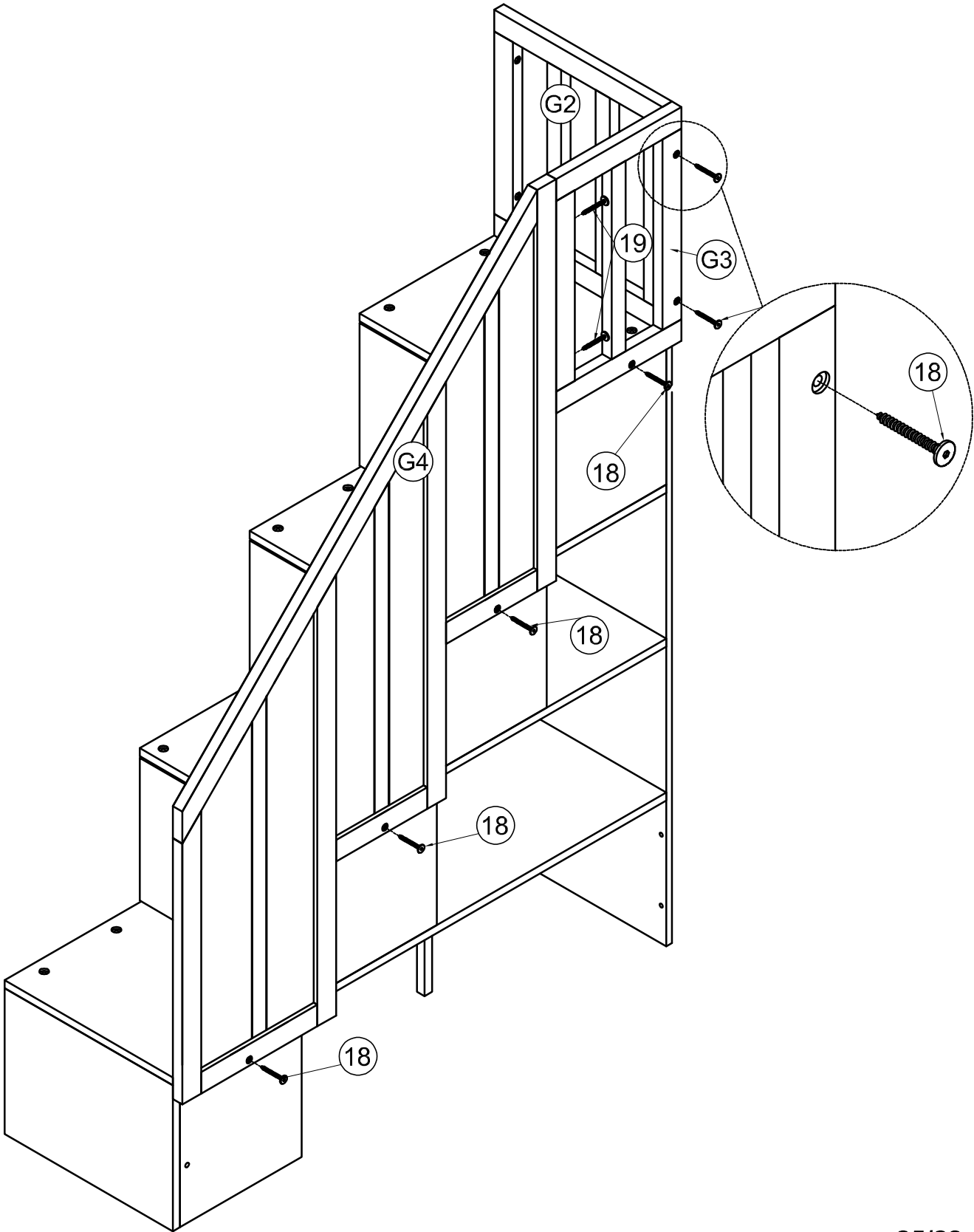
STEP 18: Following below illustration.

7	10	20	8
			
1(pc)	6(pcs)	12(pcs)	18(pcs)






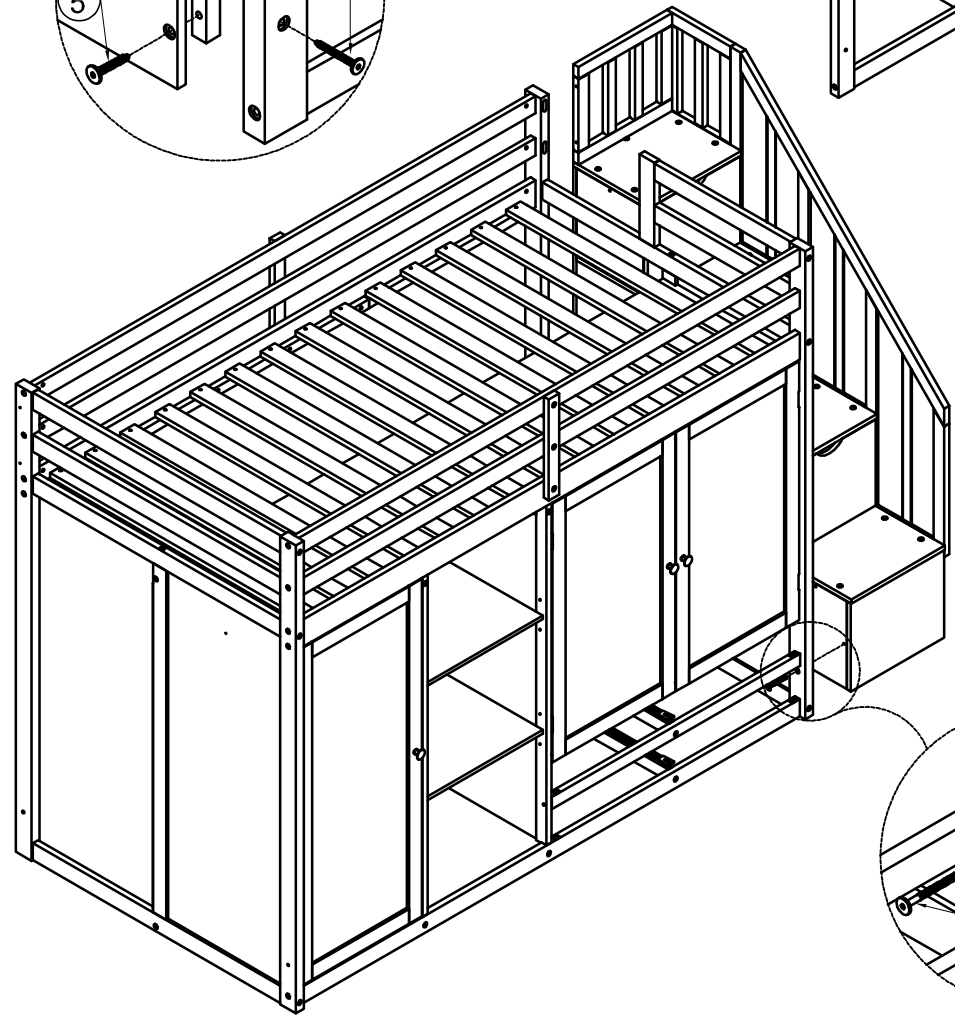
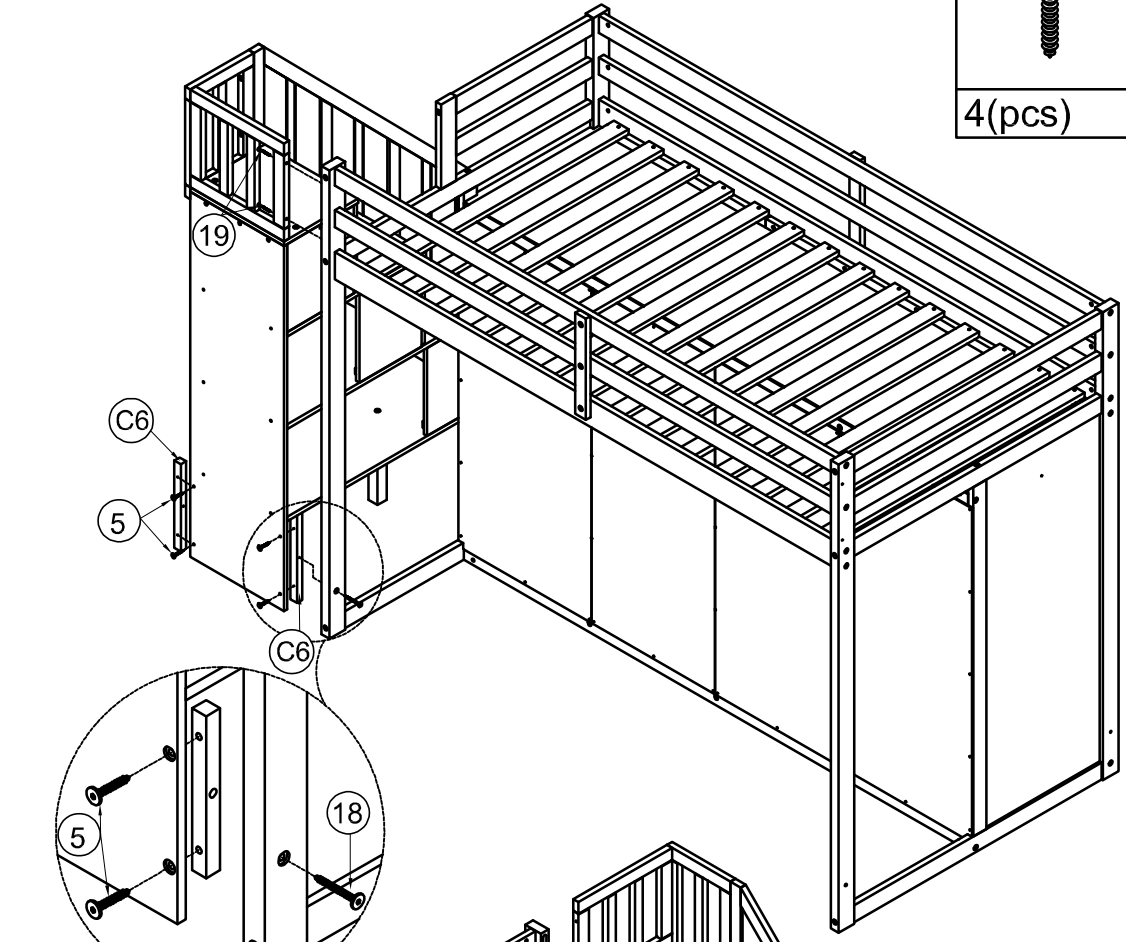
STEP 19: Following below illustration.

18	19
	
6(pcs)	2(pcs)

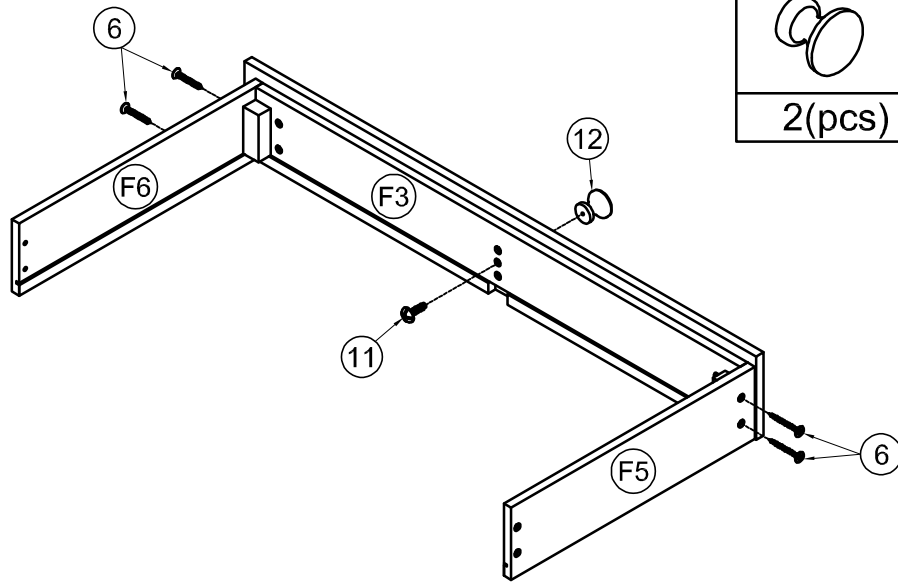





STEP20: Following below illustration.

5		18	
4(pcs)		1(pc)	
		19	
		3(pcs)	

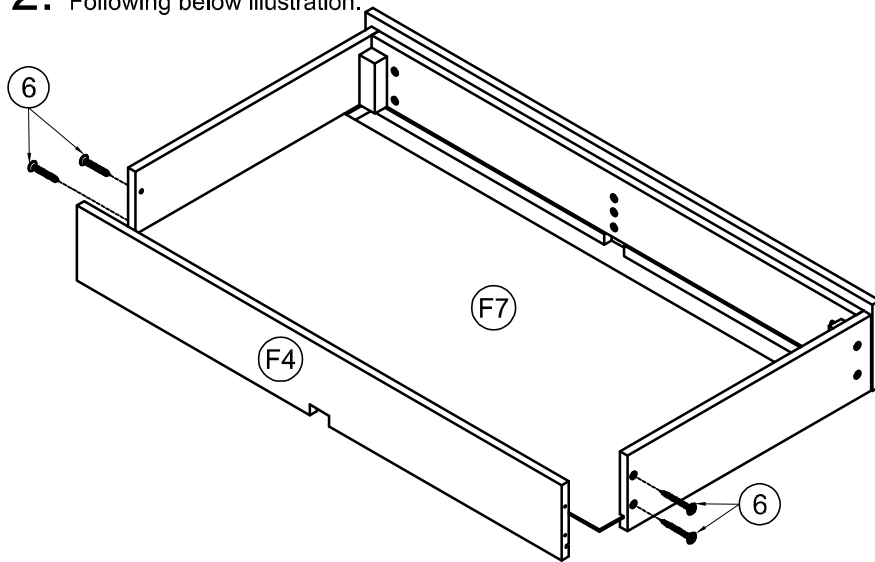



STEP21 x 2: Following below illustration.



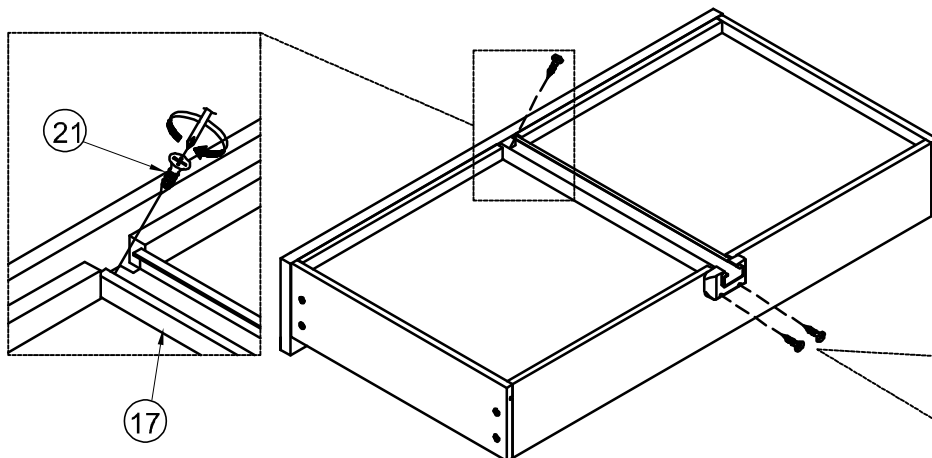
12	11
	
2(pcs)	2(pcs)
	6
	
	8(pcs)

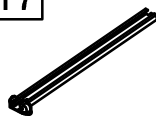

STEP22 x 2: Following below illustration.

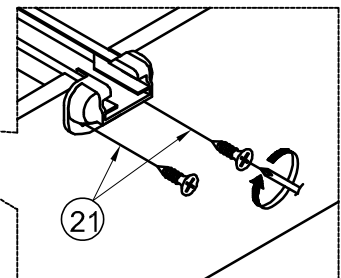


6	
	8(pcs)

STEP23 x 2: Following below illustration.



17	21
	
2(pcs)	6(pcs)



STEP24: Following below illustration.

