

ASSEMBLY INSTRUCTION

Cocktown 65" TV STAND

IMPORTANT SAFETY CONSTRUCTION

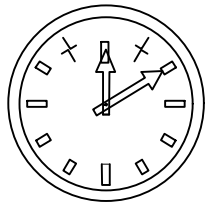
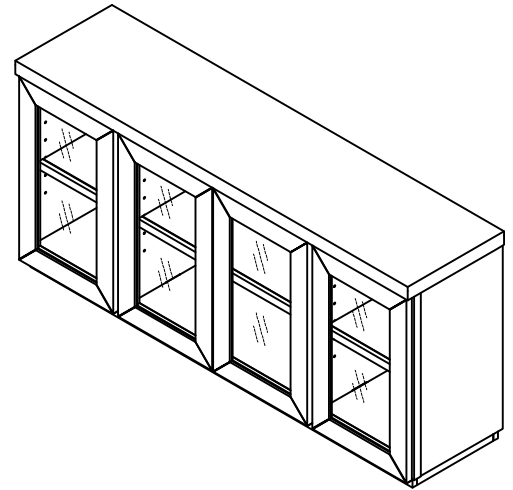
Thank you for purchasing this quality product. Be sure to check all packing material carefully for small parts that may have come loose inside the carton during shipment. Please read all instruction carefully before assembling. For your safety, assembly by two people is recommended.

PARTS INCLUDED:

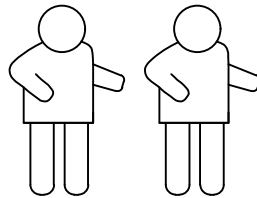
- (C1) Top Panel x 1
- (C2) Left Side Panel x 1
- (C3) Right Side Panel x 1
- (C4) Front Frame x1
- (C5) Partition Panel x 2
- (C6) Side Bottom Panel x 2
- (C7) Mid Bottom Panel x 1
- (C8) Side Shelf Panel x 2
- (C9) Mid Shelf Panel x 1
- (C10) Back Frame Panel x 1

HARDWARE ENCLOSED:

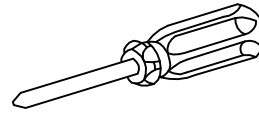
- A x 12 Shelf Pin
- B x 12 Wood Screw Ø3.5x15 (mm)
- x 1 Anti-Tip Kit



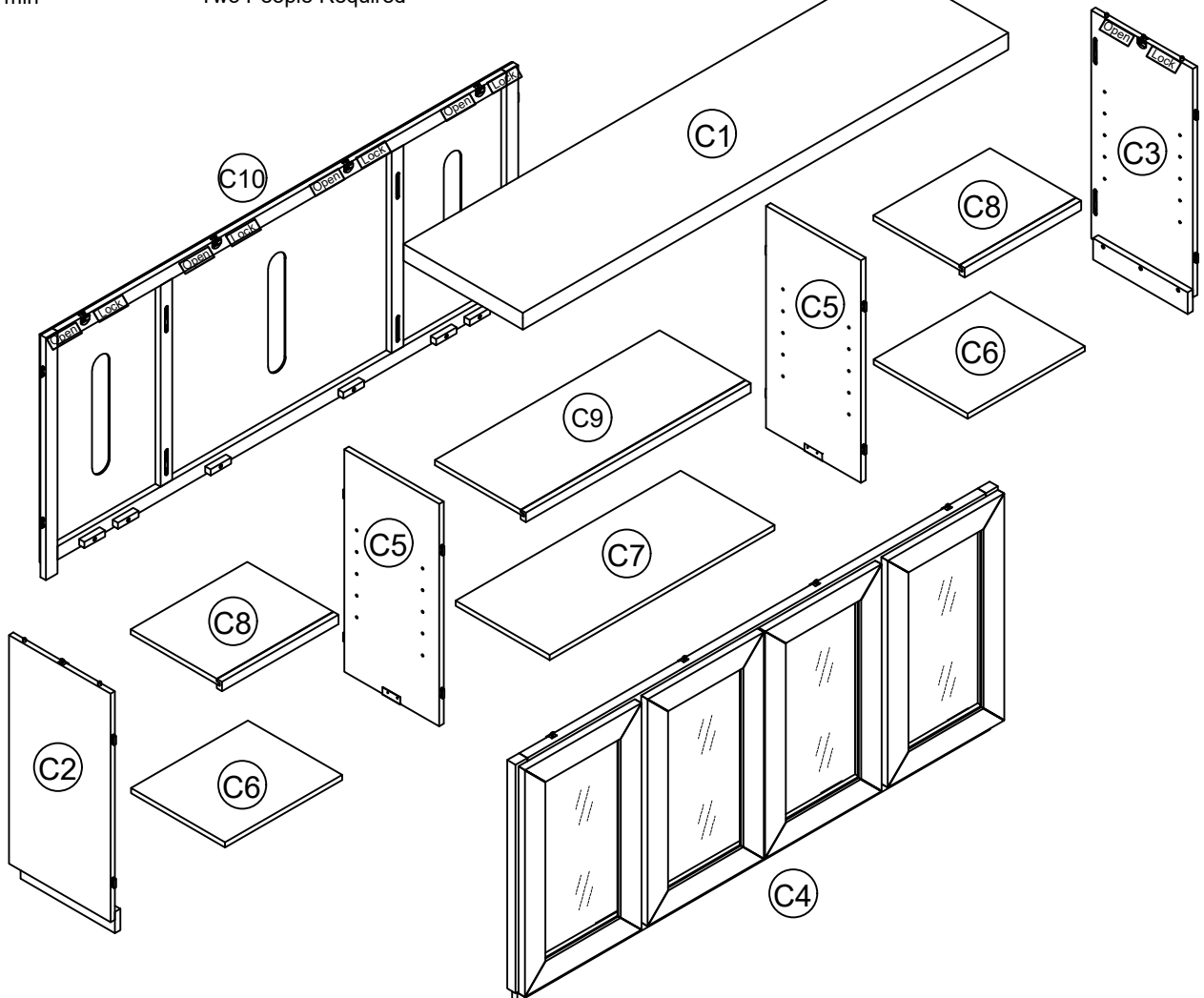
10 min



Two People Required

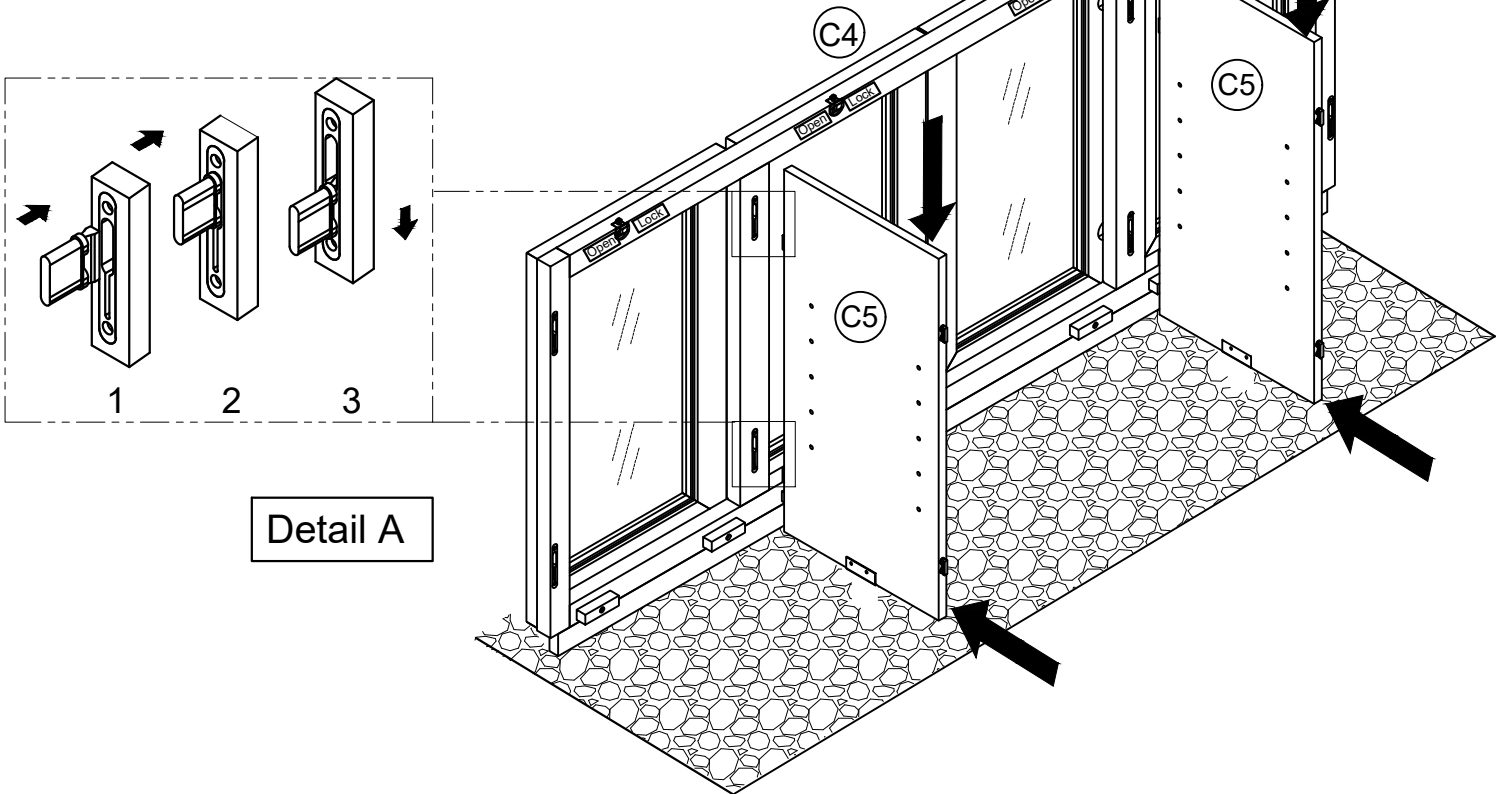


Phillips Head
Not Provided



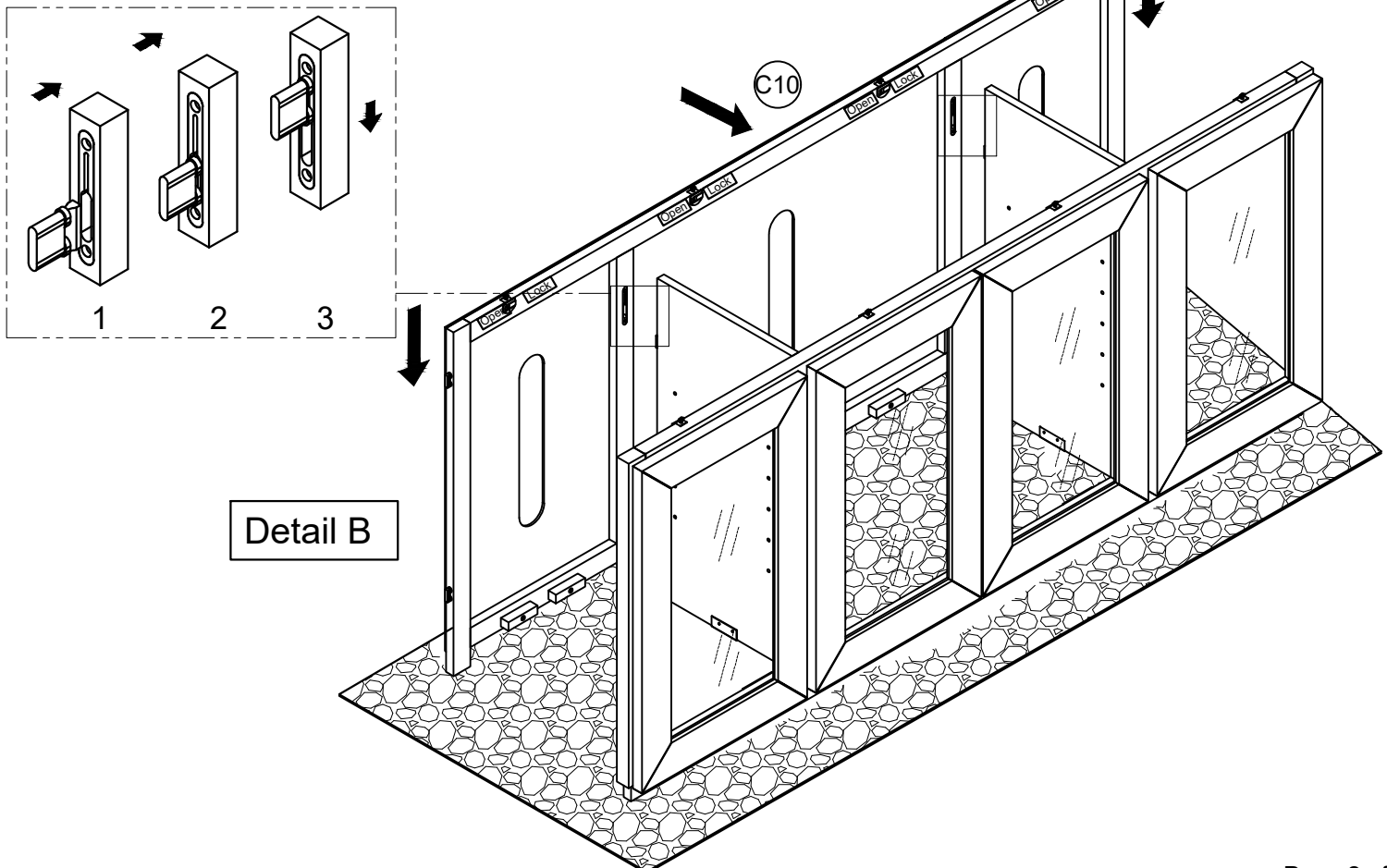
ASSEMBLY INSTRUCTIONS

- STEP 1:**
- Please lay all components on smooth flat surface to prevent scratches
 - Use the EPE foam to protect the plastic hardware before assembly.
 - Make sure all latches are in the open position before installing
 - Insert the Partition Panel (C5) to the Front Frame (C4). (See Detail A)



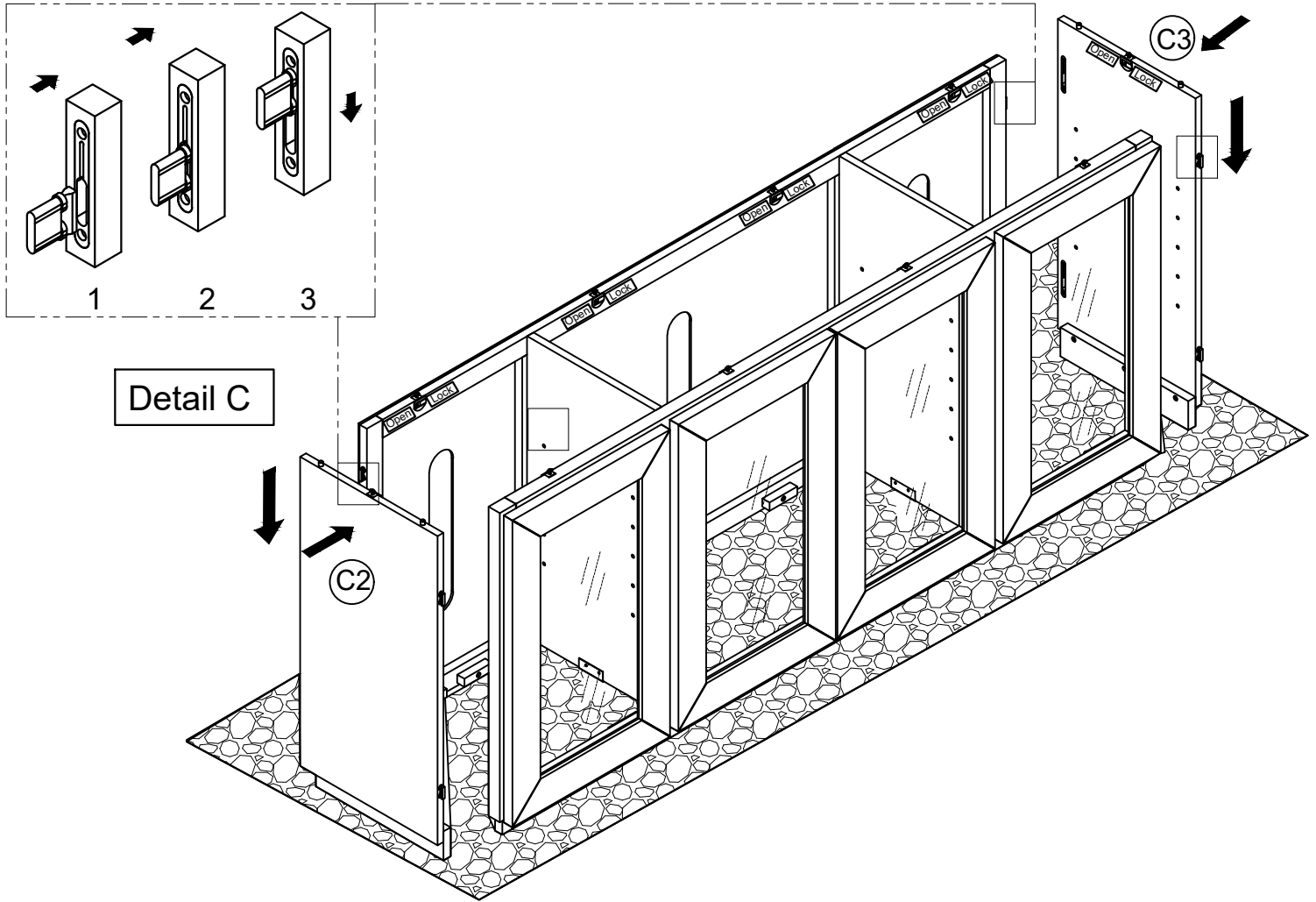
Detail A

- STEP 2:**
- Slightly insert the Back Panel (C10) to the Partition Panel (C5). (See Detail B)
 - Please match the corresponding numbers up to lock into place

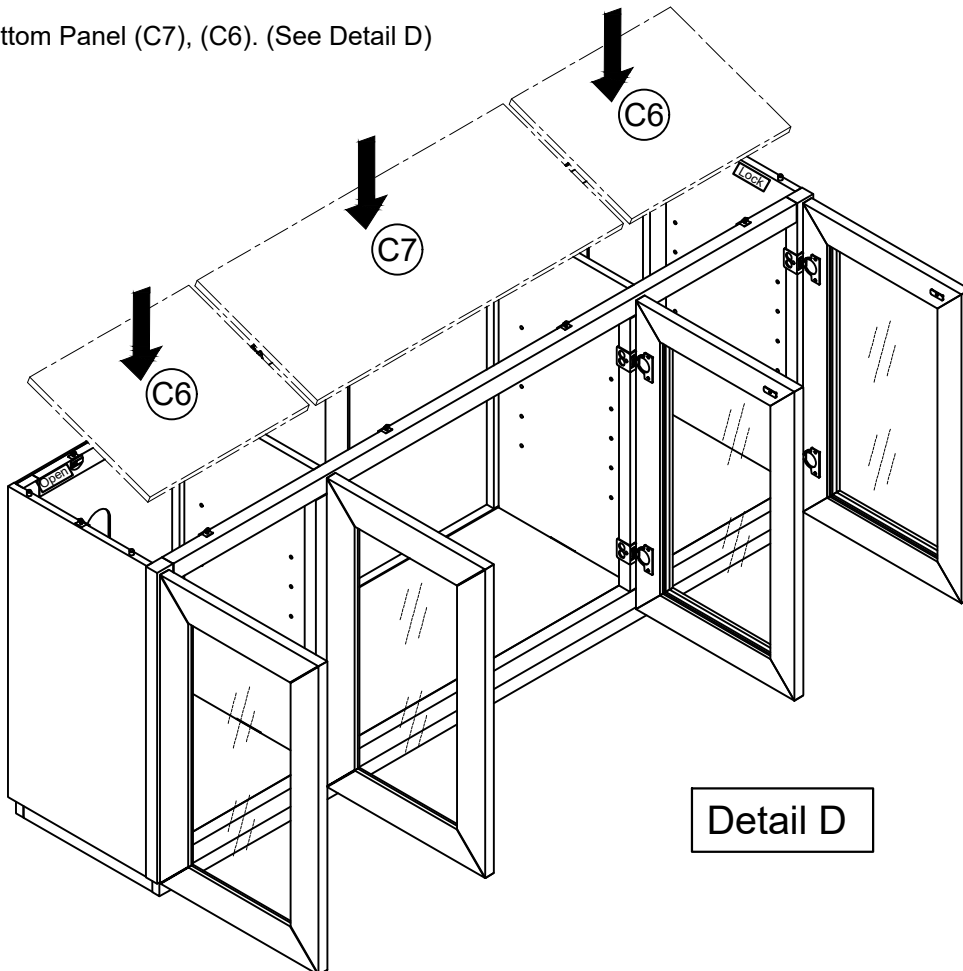


Detail B

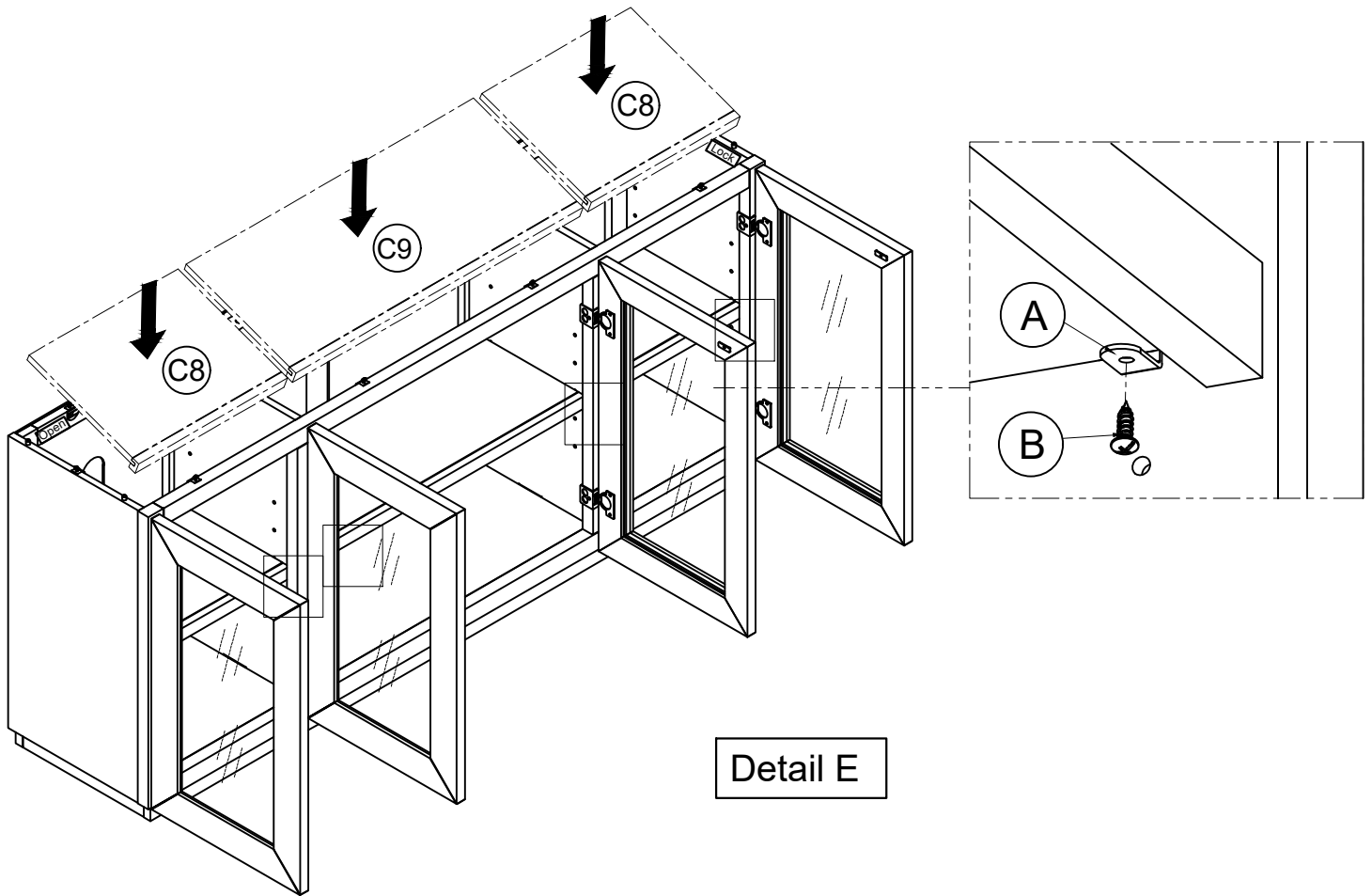
- STEP 3:**
- Slightly insert the Left Side Panel (C2) Right Side Panel (C3) to the Back Panel and the Front Frame (C10), (C4).
 - Please match the corresponding numbers up to lock into place. (See Detail C)



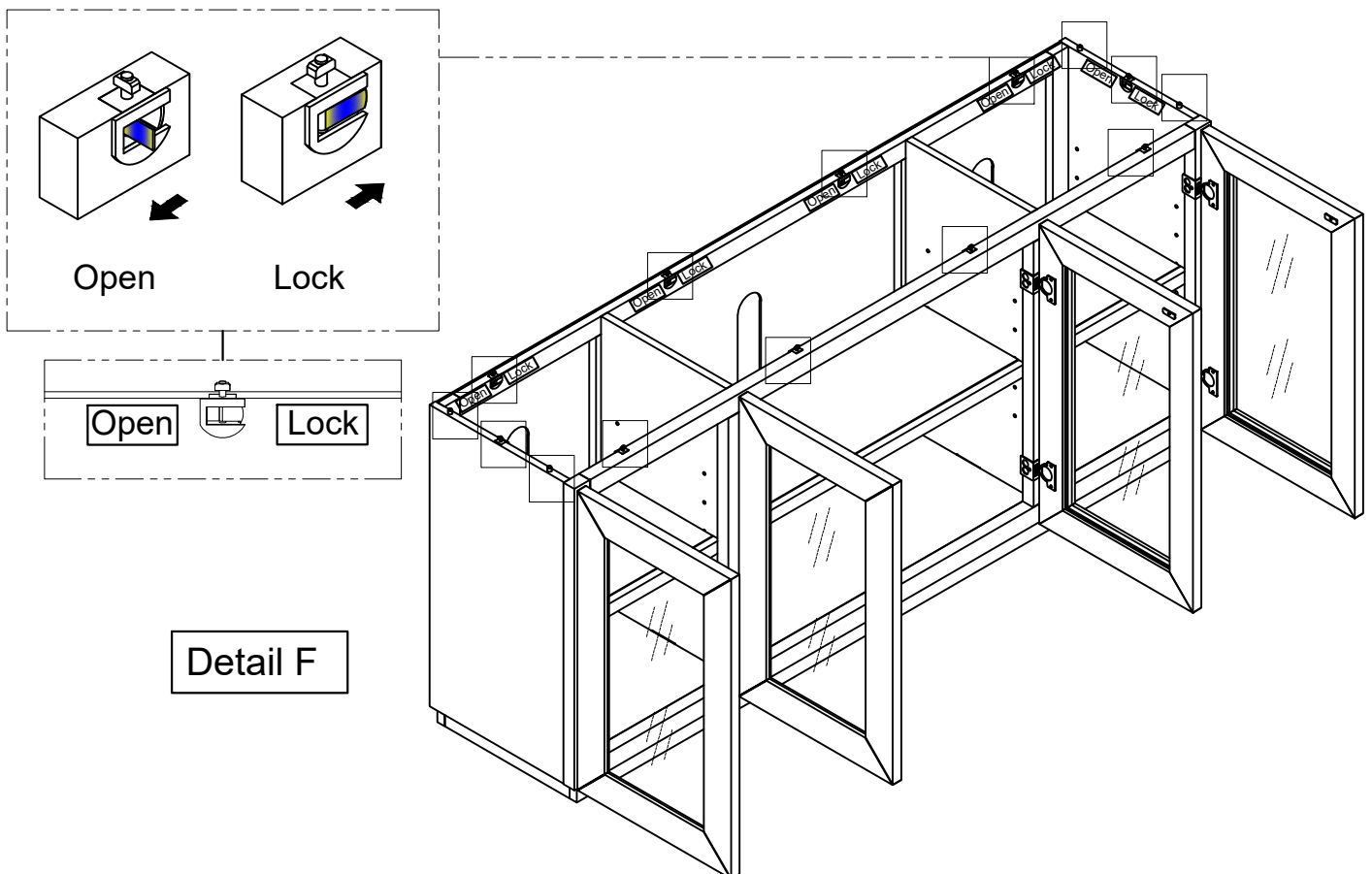
- STEP 4:** Insert the Bottom Panel (C7), (C6). (See Detail D)



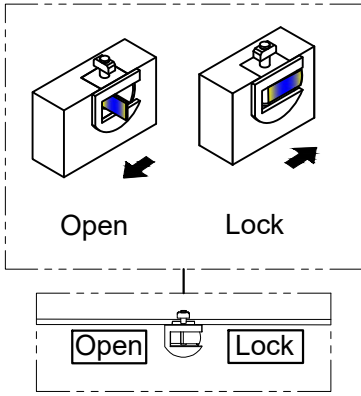
STEP 5: Assembly the Shelf Panel (C8) with Shelf Pin (A) and Wood Screw (B). (See Detail E)



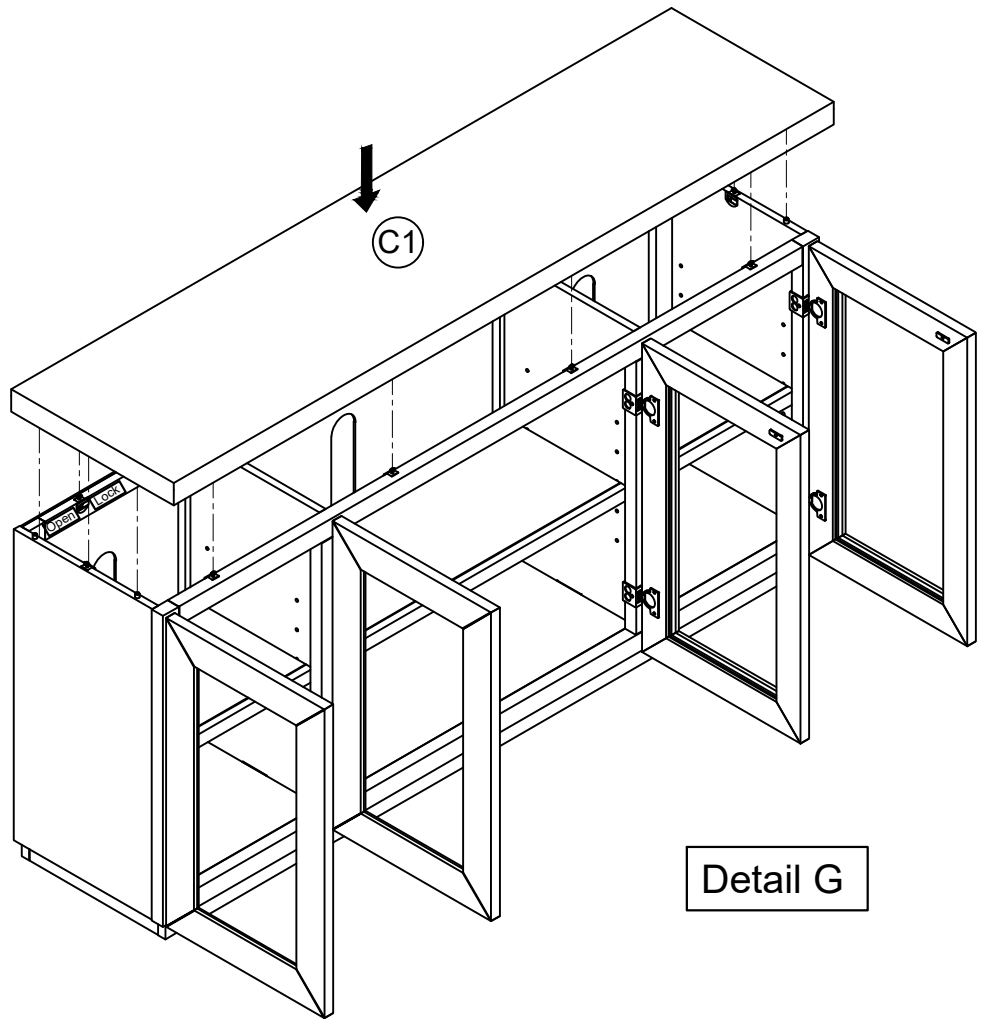
- STEP 6:**
- Make sure all latches are in the open position before installing.
 - Carrying the top panel and slightly insert into the front - back and side panel
 - Check all latches are in the locked position after the top panel in place



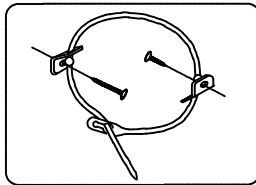
STEP 7:



Make sure all 10 latches are in the locked position



STEP 8: Install the An-ti tipping kit to the wall for safety purposes. (See Detail H)



Detail H

