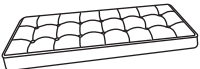
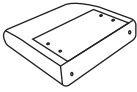



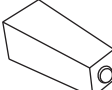
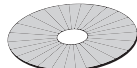


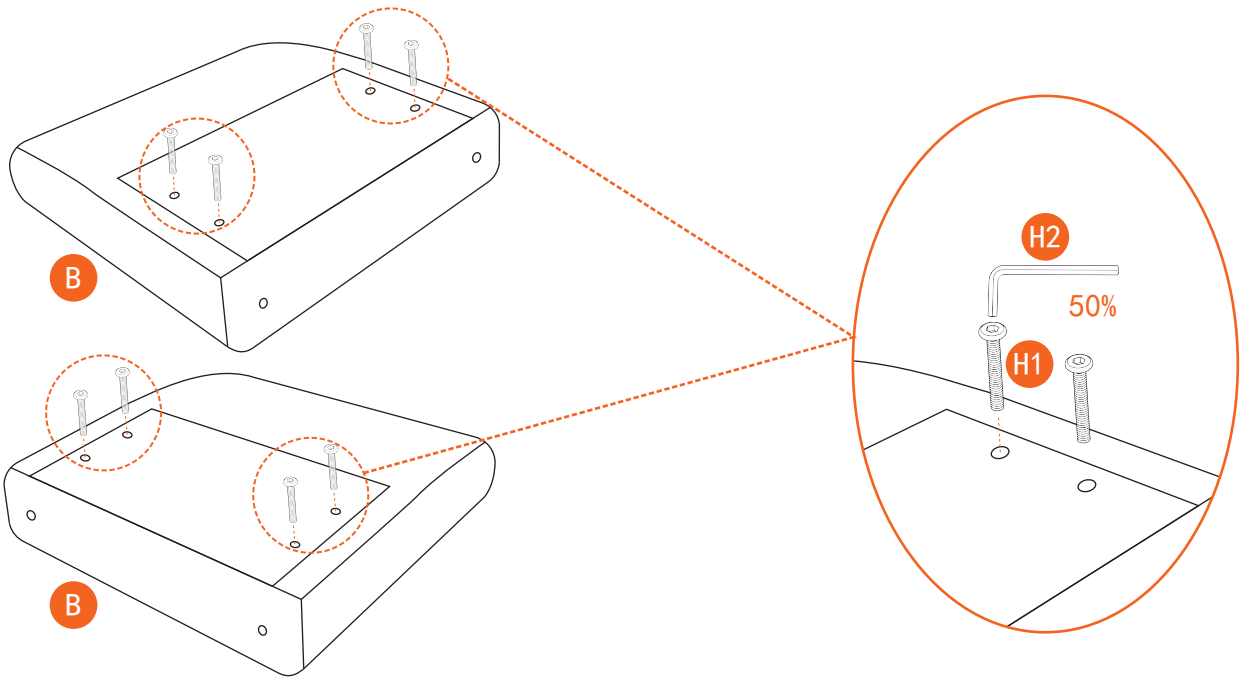
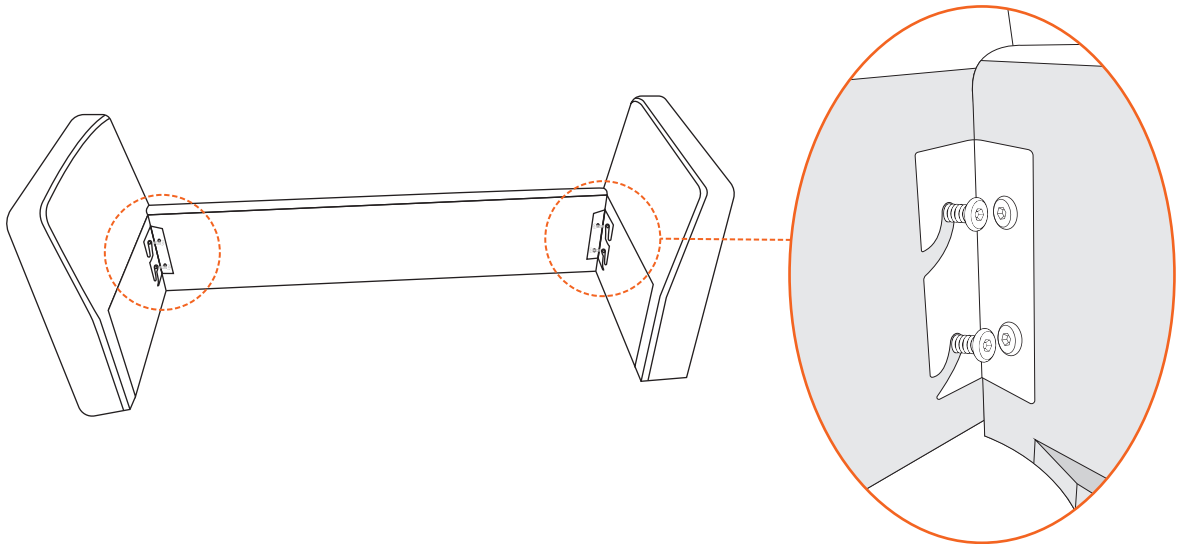


<p>Ax1</p> 	<p>Bx2</p> 	<p>Cx2</p> 	<p>Dx1</p> 	<p>Ex2</p> 
<p>Fx4</p> 	<p>Gx4</p> 	<p>Hx4</p>  <p>M8x35mm</p>	<p>Ix1</p> 	

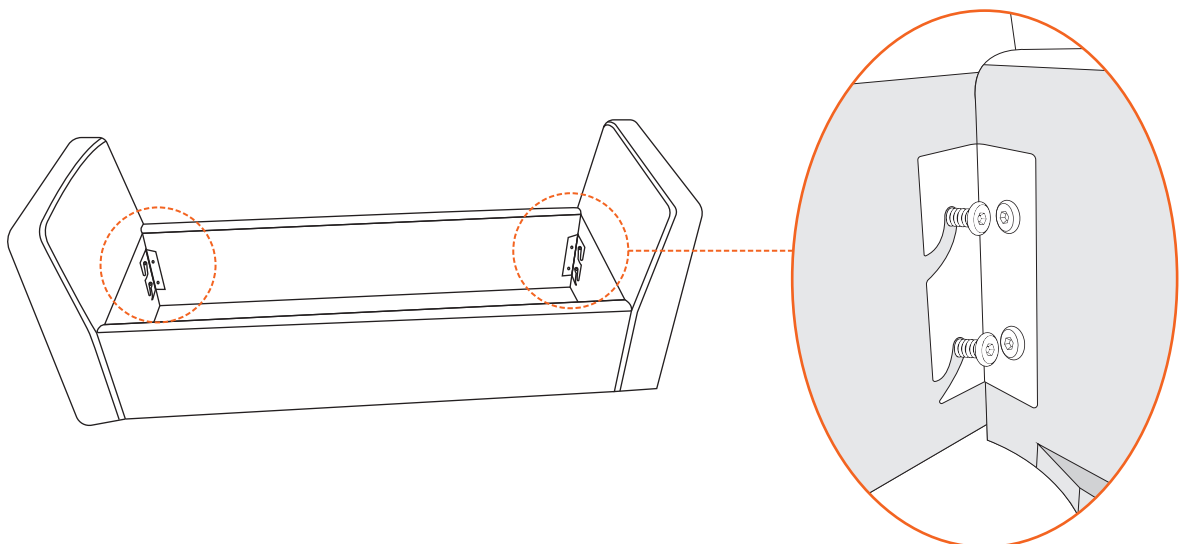
Step.1



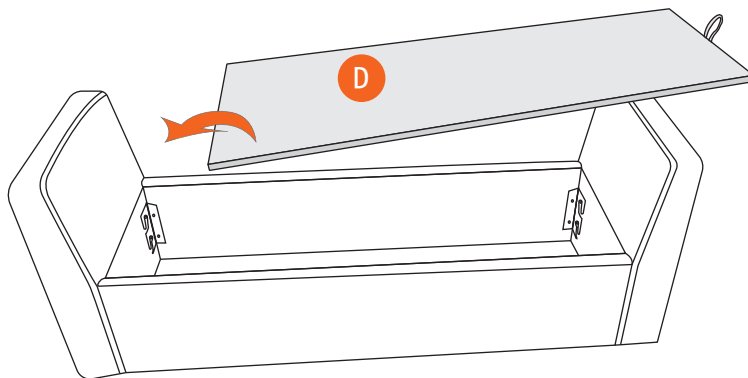
Step.2



Step.3

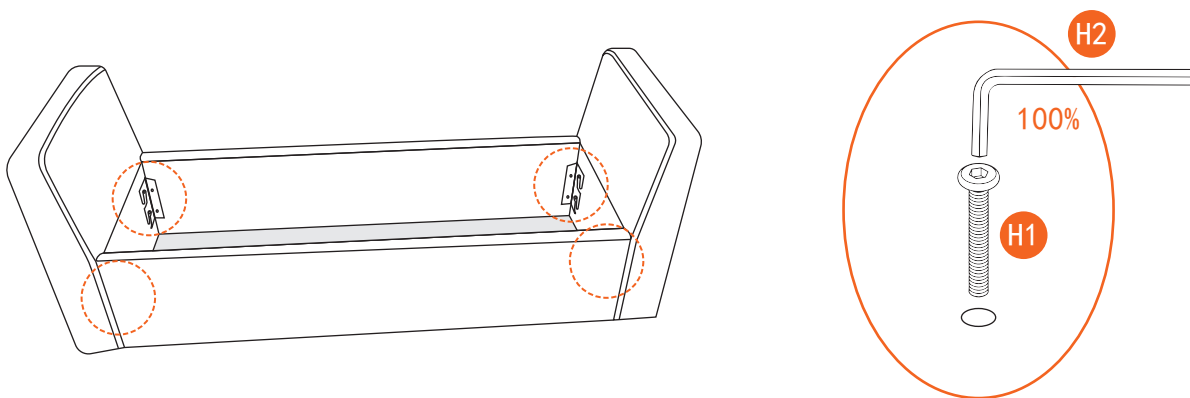


Step.4

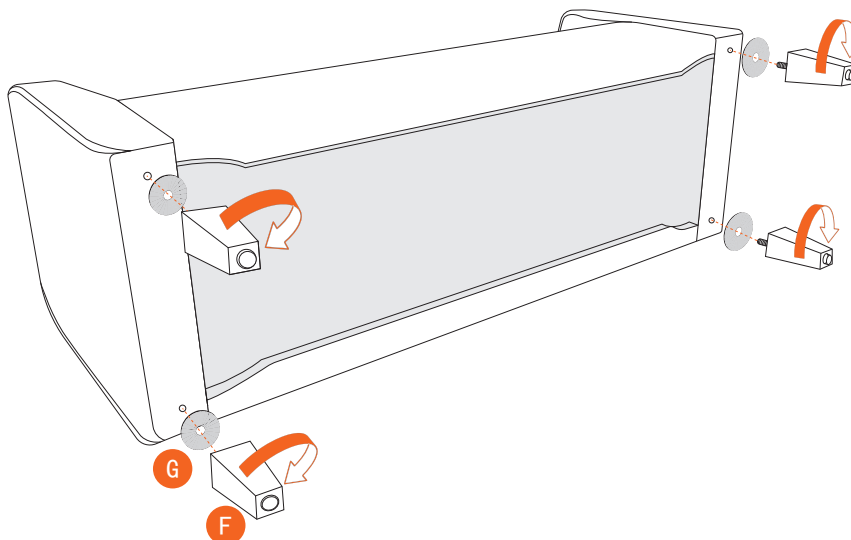


底板D平面朝上

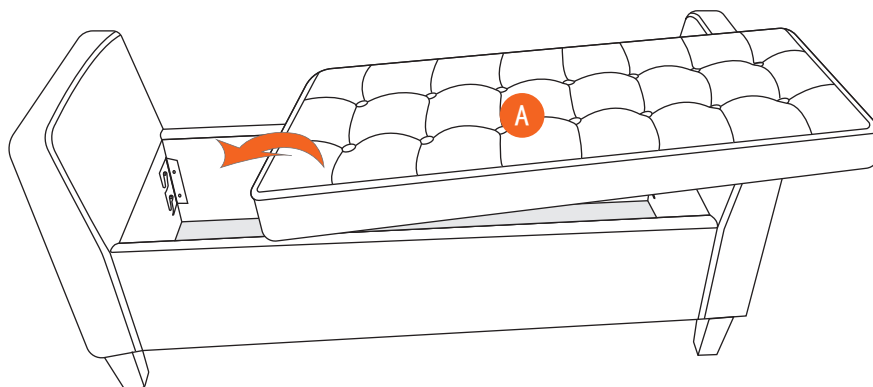
Step.5



Step.6



Step.7



Step.8

