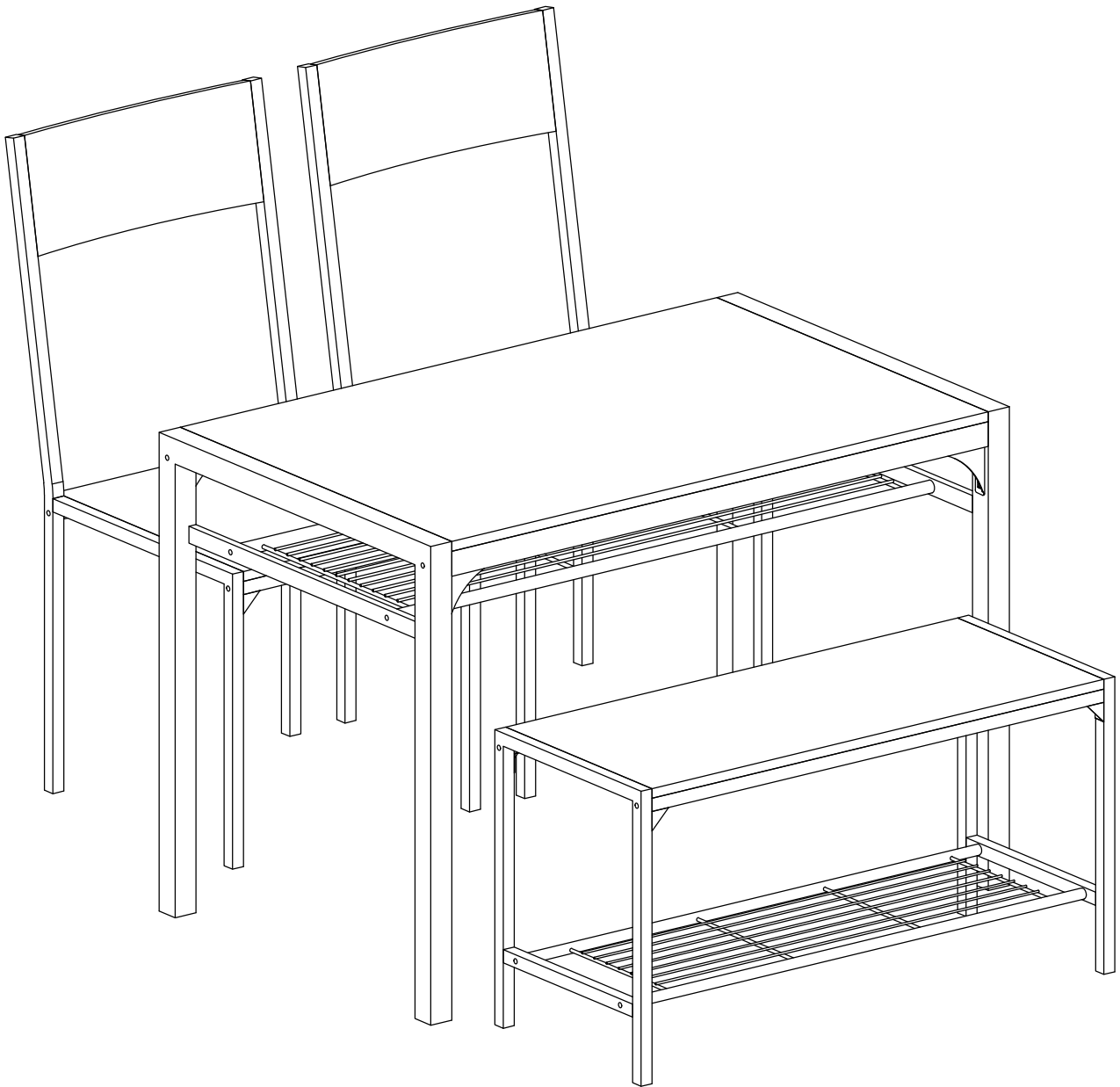


Assembly Instructions



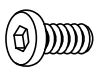
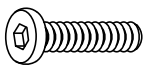



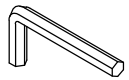
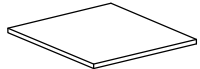

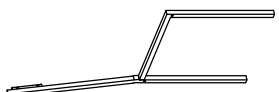
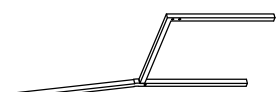


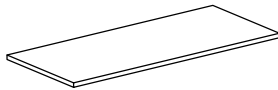
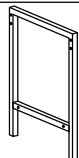

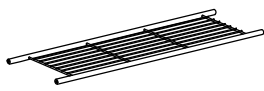
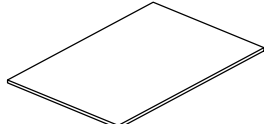
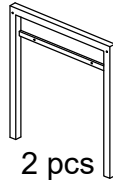
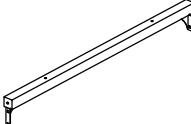
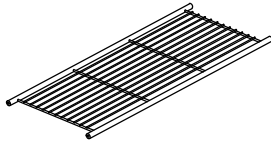
THANKS FOR YOUR PURCHASE!

WE DO OUR BEST TO INSURE THAT YOUR FURNITURE ARRIVES IN EXCELLENT CONDITION. IN THE EVENT THAT A PART IS DAMAGED OR MISSING, WE WILL BE HAPPY TO PROVIDE YOU WITH ASSIST ATTACH YOUR ORDER ID SO THAT WE CAN ASSIST YOU BETTER.

IMPORTANT:PLEASE READ ALL THE INSTRUCTIONS BEFORE STARTING ASSEMBLY.

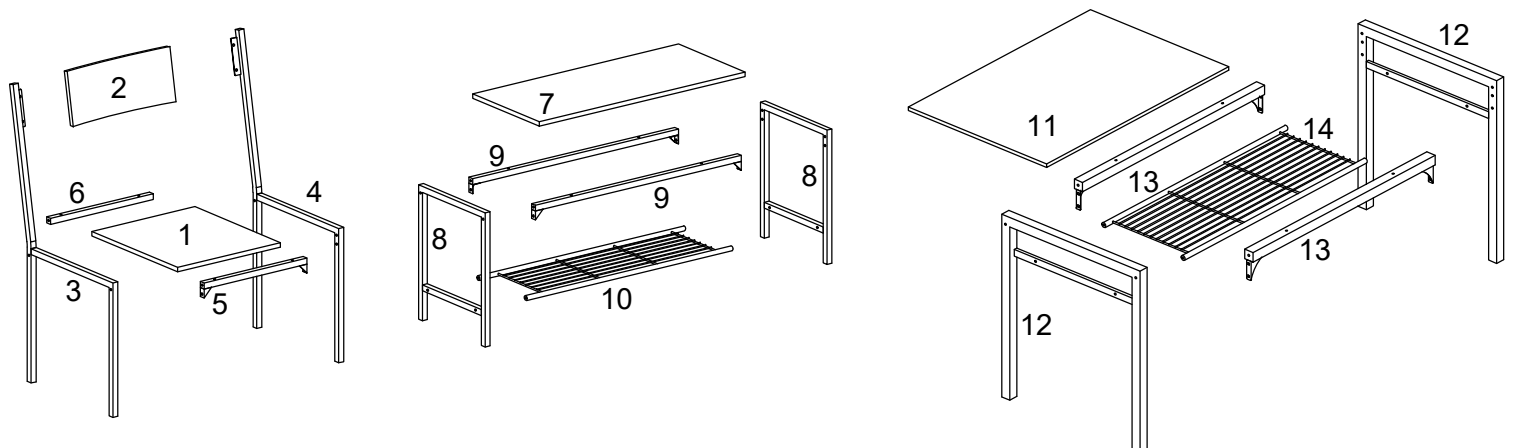
Parts List

When unpacking, please be careful not to discard any parts with the packaging. Be sure to check all packing material carefully for small parts which may have come loose inside the carton during shipment. Please separate, identify, and count all parts and metal hardware. Compare with part list to be sure all parts are present. If hardware is missing or you have difficulty in assembling this product, please contact us at your earliest convenience.

A	M6x12mm Screw	B	M6x30mm Screw	C	M6x35mm Screw	D	M6x40mm Screw	E	M6x45mm Screw	F	Allen Key
	24 pcs + 1 pc		20 pcs + 1 pc		4 pcs + 1 pc		12 pcs + 1 pc		4 pcs + 1 pc		1 pc
1	2		3		4		5				
											
2 pcs	2 pcs		2 pcs		2 pcs		2 pcs				
6	7	8	9	10							
											
2 pcs	1 pc	2 pcs	2 pcs	1 pc							
11	12	13	14								
											
1 pc	2 pcs	2 pcs	1 pc								

Over View

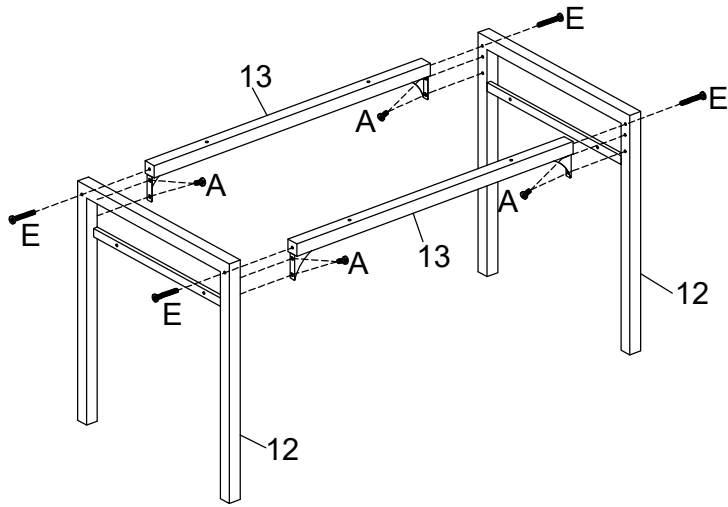
Before assembling, please make sure you have the above parts. This Dining Table with Stools has several parts and may require 2 people to assemble. To give you an overview of all parts, the following picture is to help you put the various parts into perspective. Please read through the instructions below to familiarise yourself with the parts and steps before assembly.



Installation Steps

Notice: Do not fully tighten each screw after you put in, after you attach all the screws, tighten them back and forth to make sure the legs are even.

1



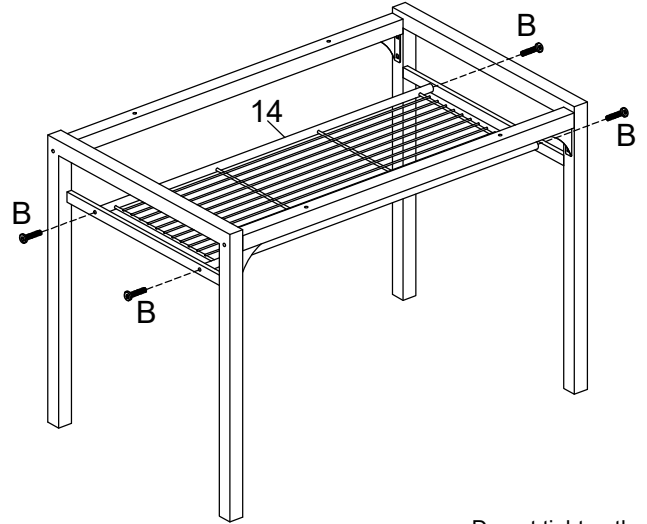
A M6x12mm Screw



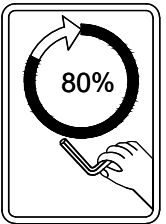
E M6x45mm Screw



2



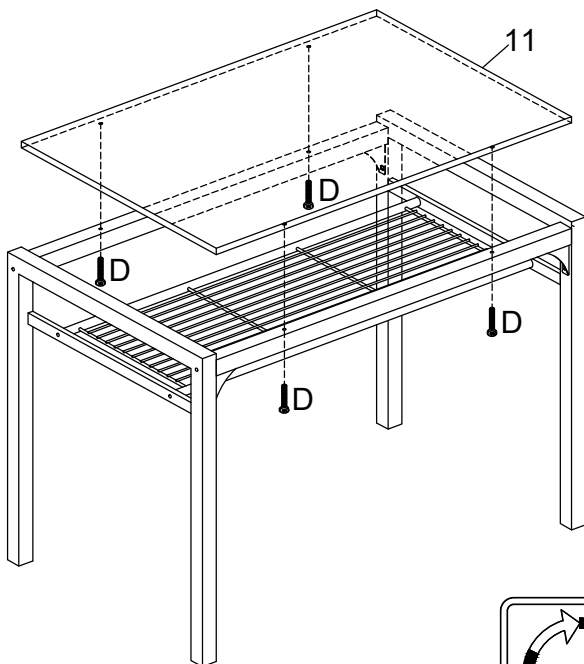
Do not tighten the Bolts.



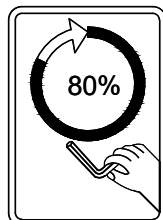
B M6x30mm Screw



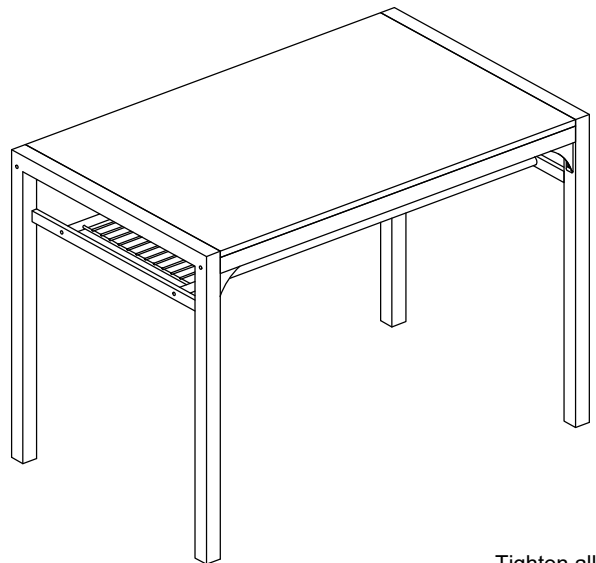
3



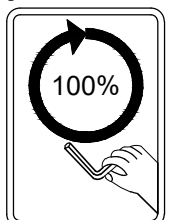
D M6x40mm Screw



4



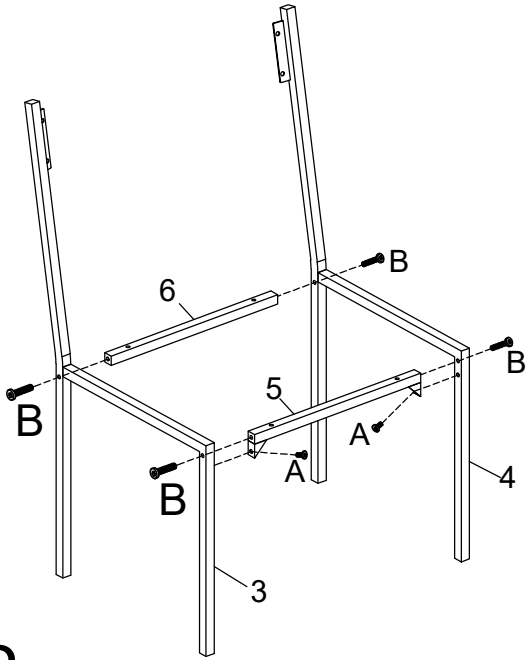
Tighten all the bolts.



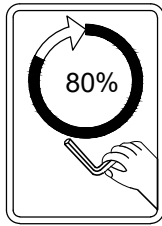
Installation Steps

Notice: Do not fully tighten each screw after you put in, after you attach all the screws, tighten them back and forth to make sure the legs are even.

5



Do not tighten the Bolts.



x 2

A M6x12mm Screw



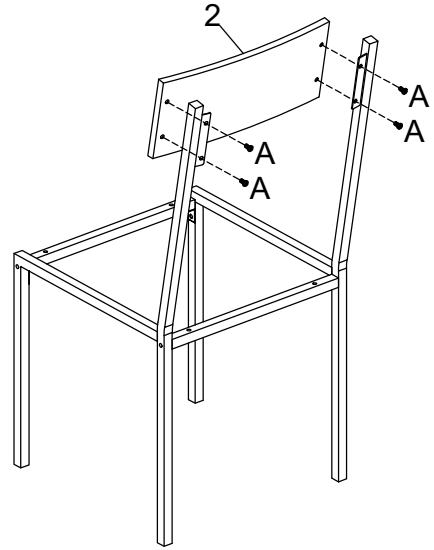
4 pcs

B M6x30mm Screw

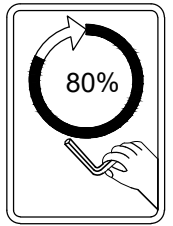


8 pcs

6

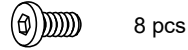


Do not tighten the Bolts.



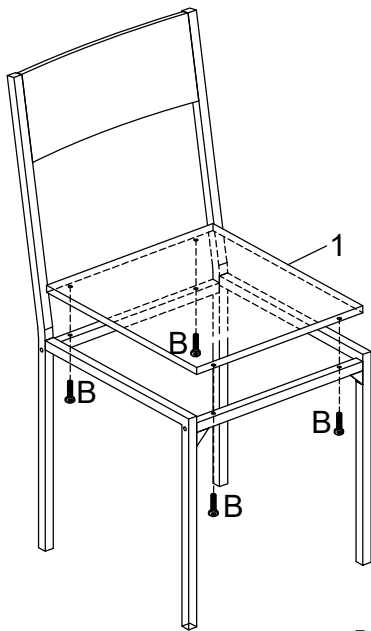
x 2

A M6x12mm Screw

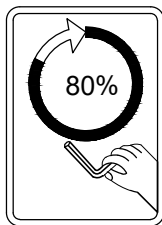


8 pcs

7



Do not tighten the Bolts.



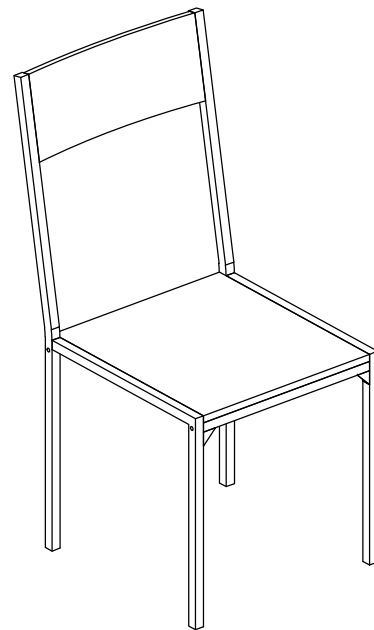
x 2

B M6x30mm Screw

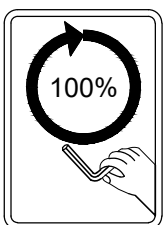


8 pcs

8



Tighten all the bolts.

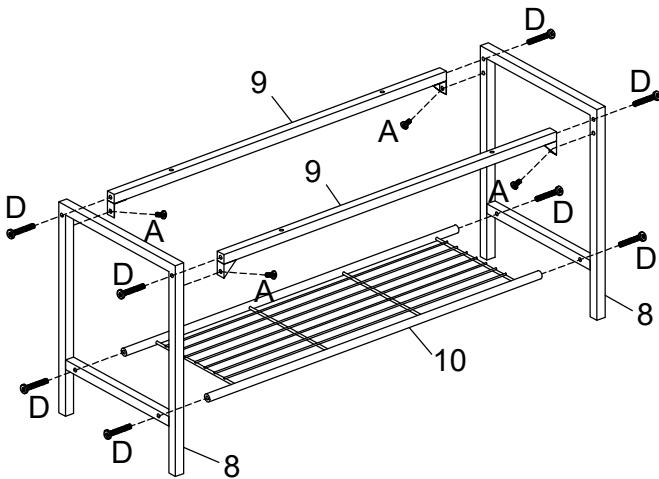


x 2

Installation Steps

Notice: Do not fully tighten each screw after you put in,after you attach all the screws,tighten them back and forth to make sure the legs are even.

9

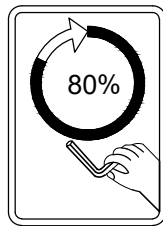


Do not tighten the Bolts.

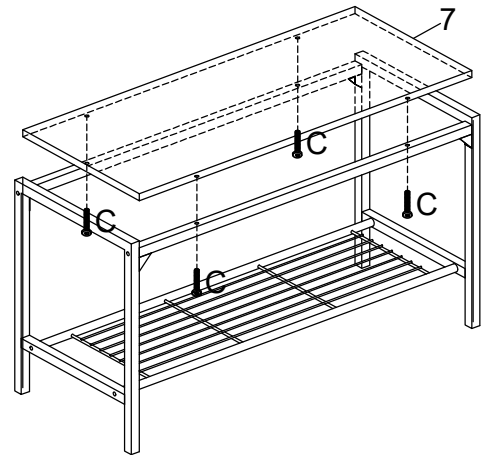
A M6x12mm Screw



D M6x40mm Screw

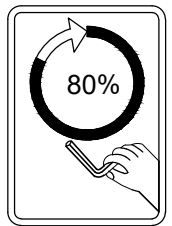


10

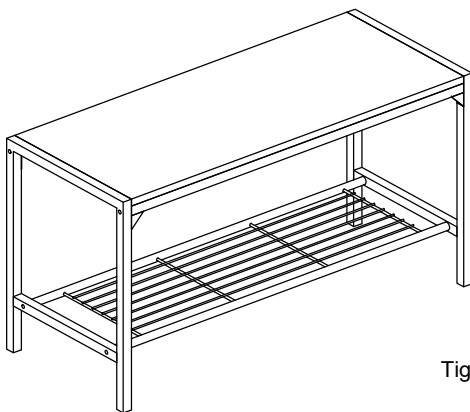


Do not tighten the Bolts.

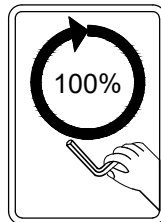
C M6x35mm Screw



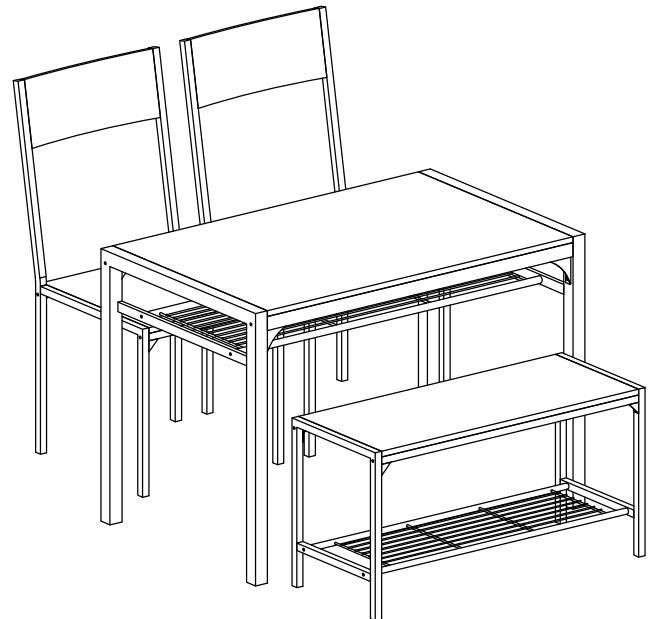
11



Tighten all the bolts.



12



Caution: Inspect and make sure all parts are connected,then the dining table and stool is ready to use.If the table or stool wobbles, loosen the parts and try to assemble again.Our table set can only be used on a flat, level surface.For better use,we may advise you tighten all the screws every few months.