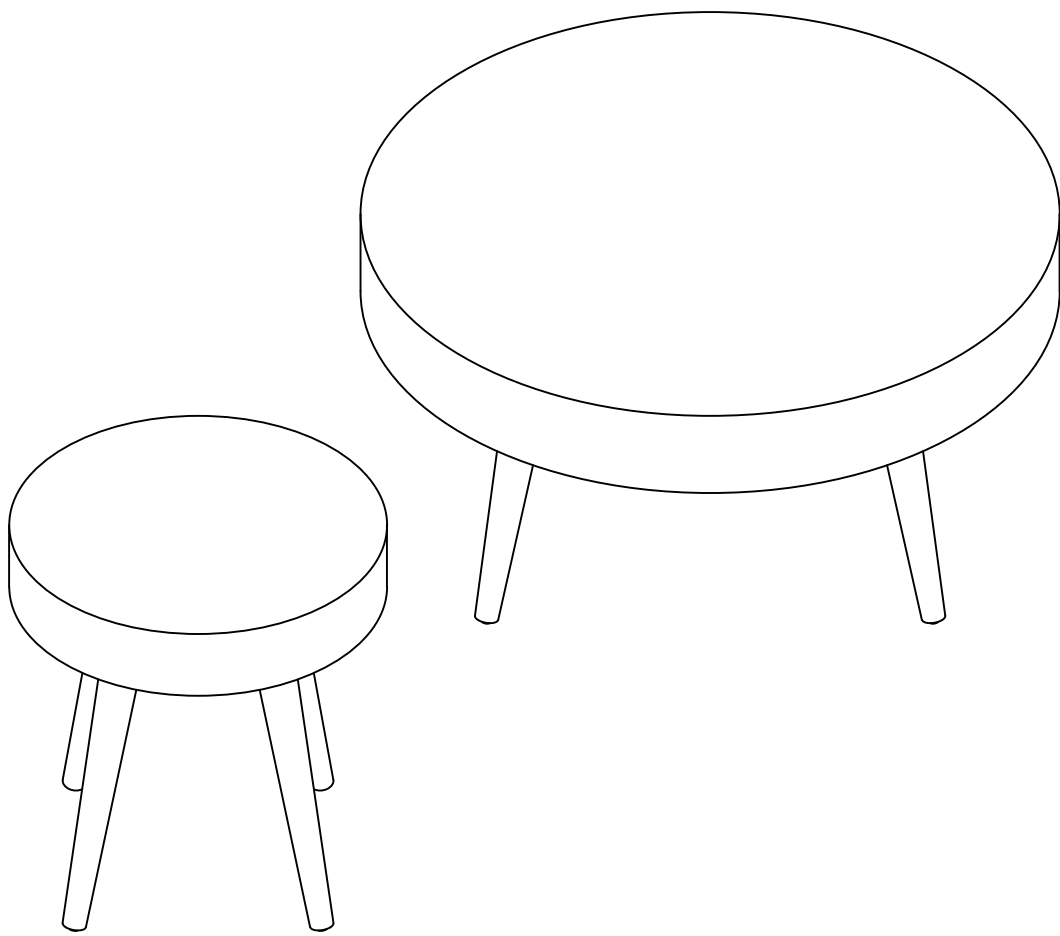


Installation Instruction



Assembling

Estimated time for assembly



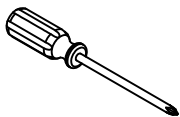
45 : 00

What' included

Code Description	Qty
A Screw M3.5X14MM	40
B The metal plate	8
C MATS	8

What you need

- Use the packaging carton as a working surface to prevent product damage during assembly
- Phillips head screwdriver



Weight Limitation

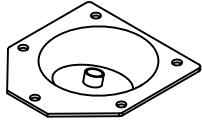
 **100** | **35**
lbs table top lbs per

The Hardwares

Ⓐ



Ⓑ



Ⓒ



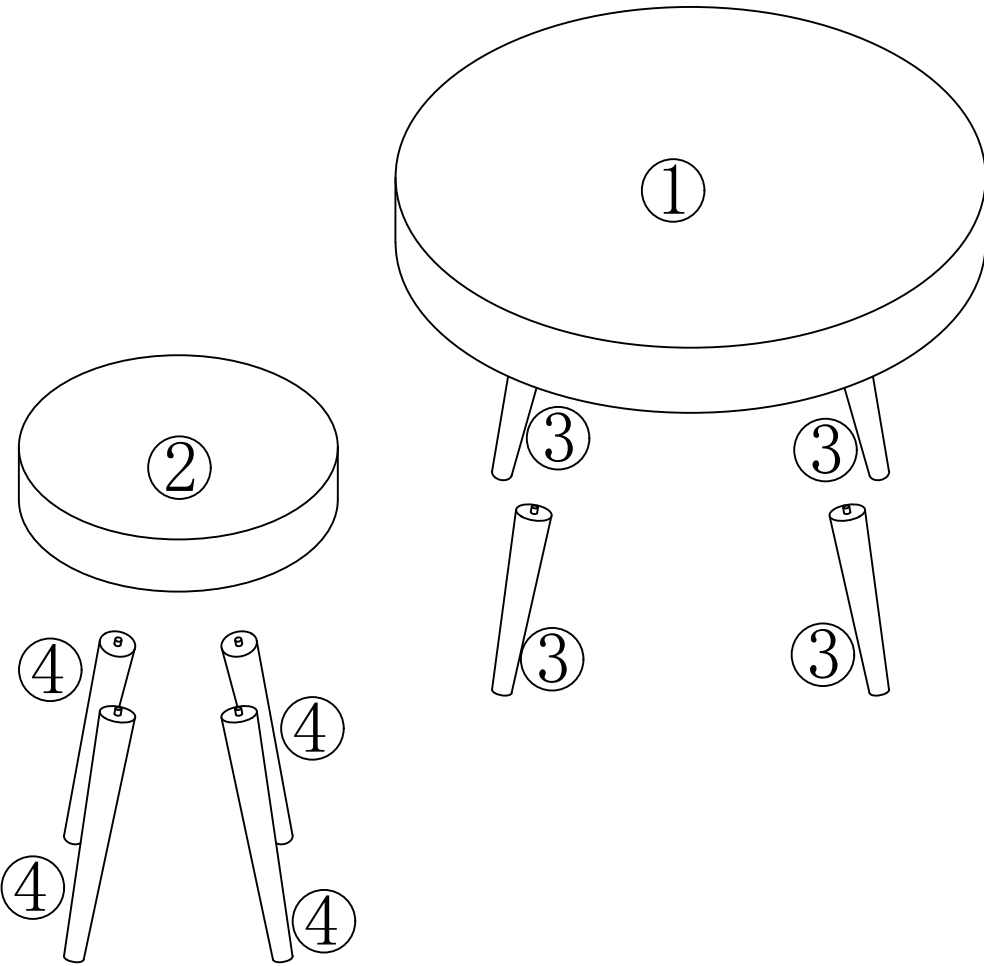
IMPORTANT:

1. Do not tighten bolts / screws completely until all bolts / screws are lined up and inserted into holes.
2. Do not over tighten screws and bolts to avoid stripping
3. Please use hand tools to assemble this product. Do not use power tools.

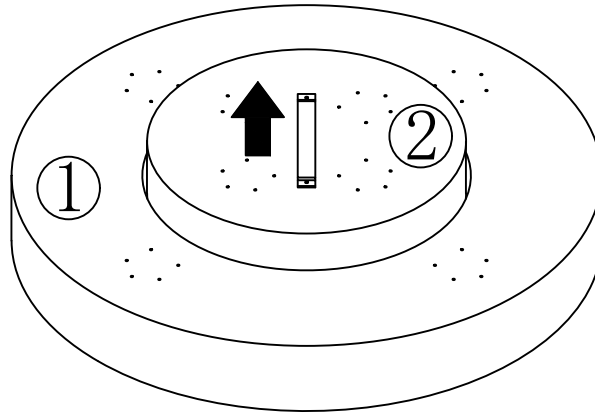
Included Accessories

Code	Description	Qty
1	Large table body	1
2	Small table body	1
3	Short solid wood feet	4
4	Long solid wood feet	4

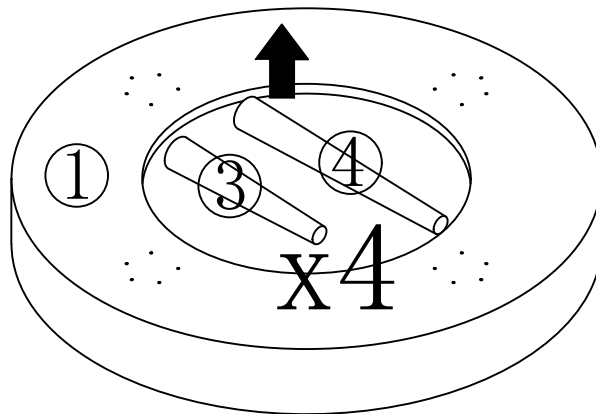
The Accessoriess



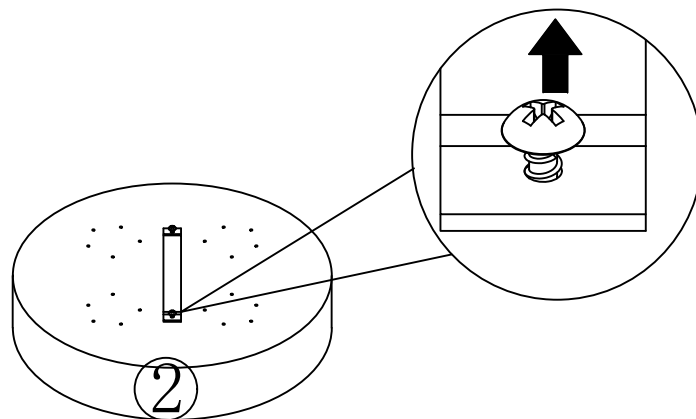
Step 1




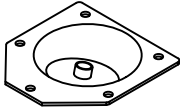
Step 2

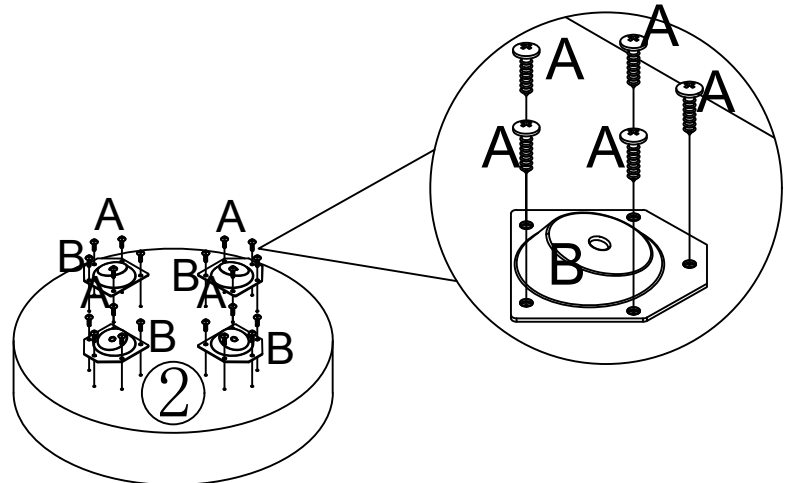
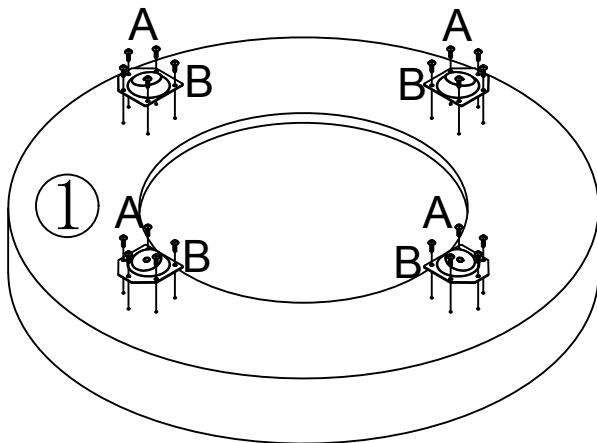


Step 3




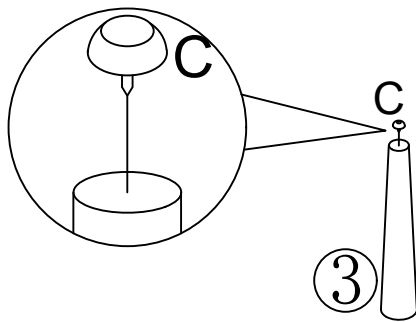
Step 4

A	×40	B	×8
			



Step 5

C	×8
	



Step 6

x4

