

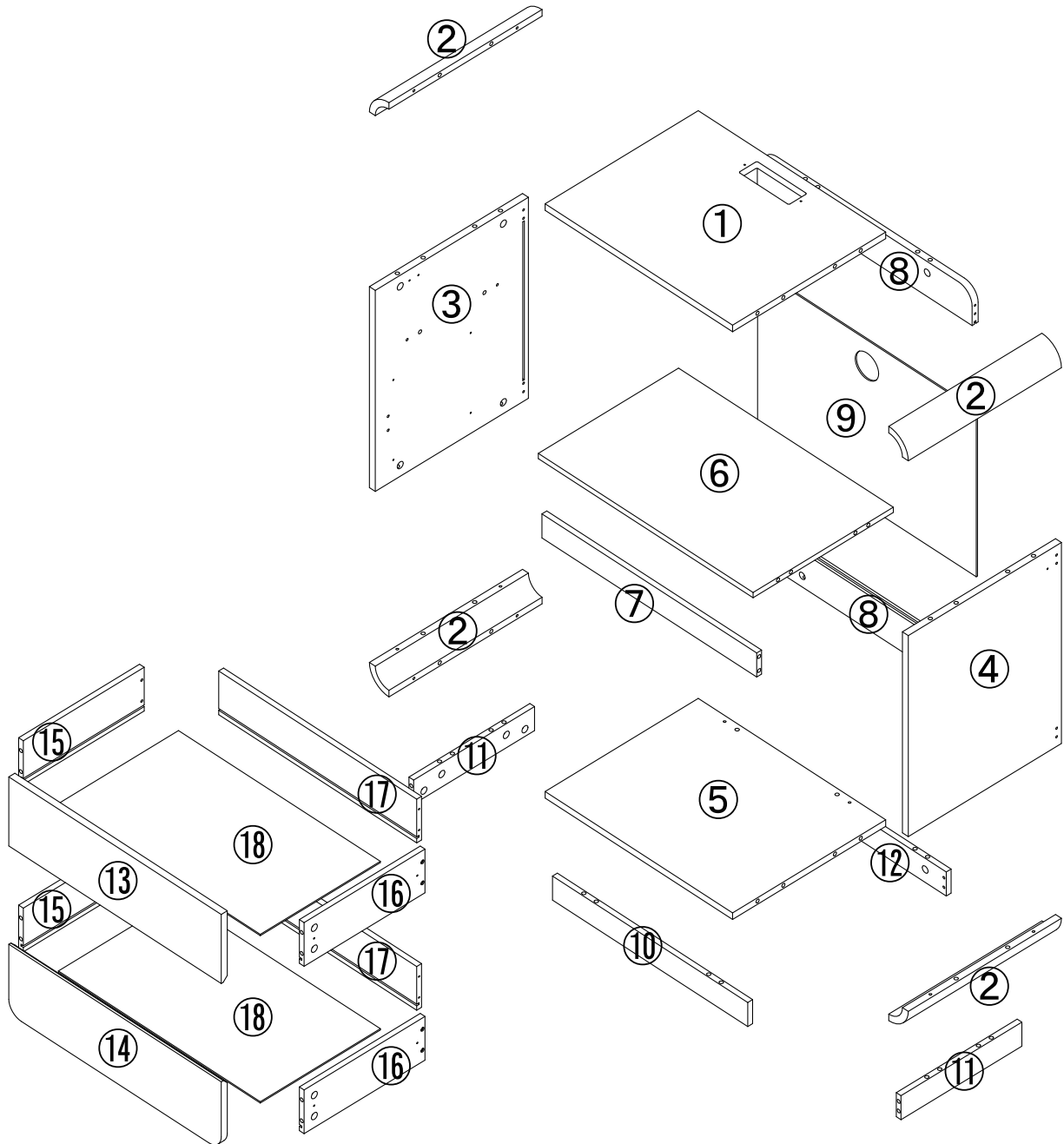
**BESIDE TABLE**

---

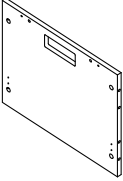
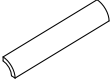
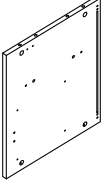
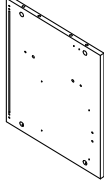
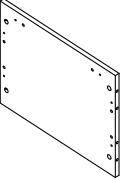
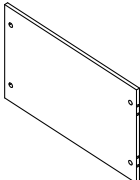
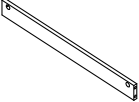
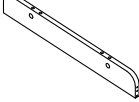
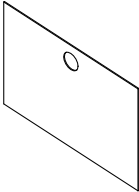
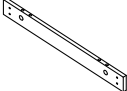
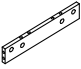
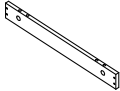
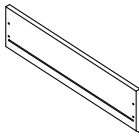
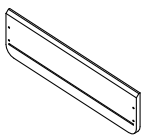
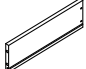
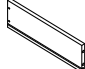
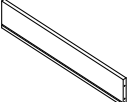
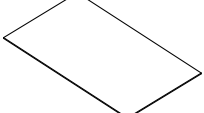
**USER MANUAL**

1

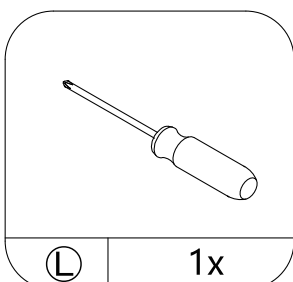
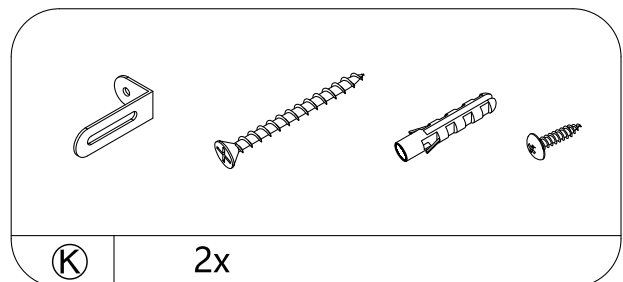
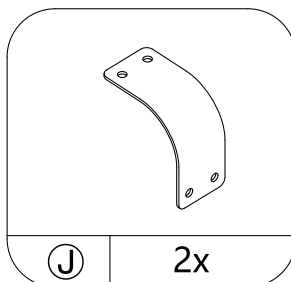
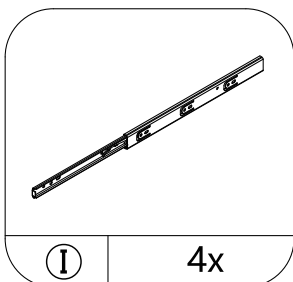
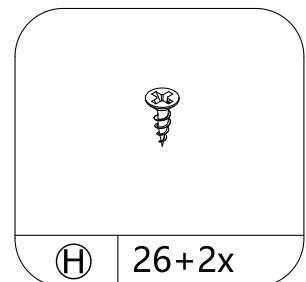
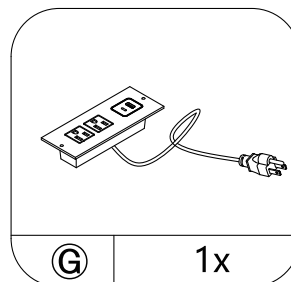
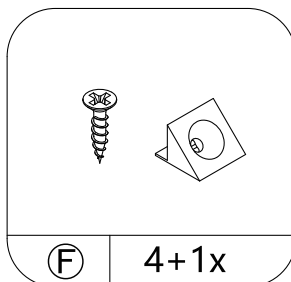
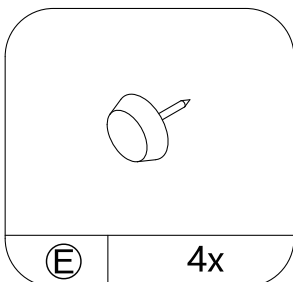
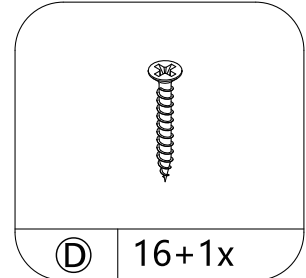
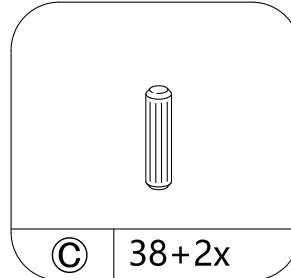
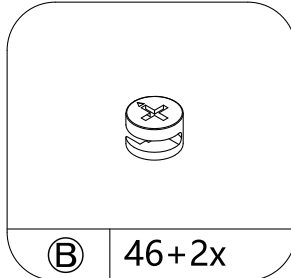
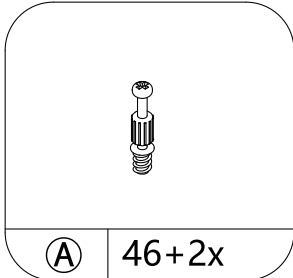
# ASSEMBLY INSTRUCTIONS



## PACKAGING LIST

 ①x1	 ②x4	 ③x1	 ④x1
 ⑤x1	 ⑥x1	 ⑦x1	 ⑧x2
 ⑨x1	 ⑩x1	 ⑪x2	 ⑫x1
 ⑬x1	 ⑭x1	 ⑮x2	 ⑯x2
 ⑰x2	 ⑱x2		



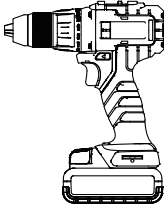
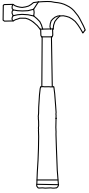
## PACKAGING LIST

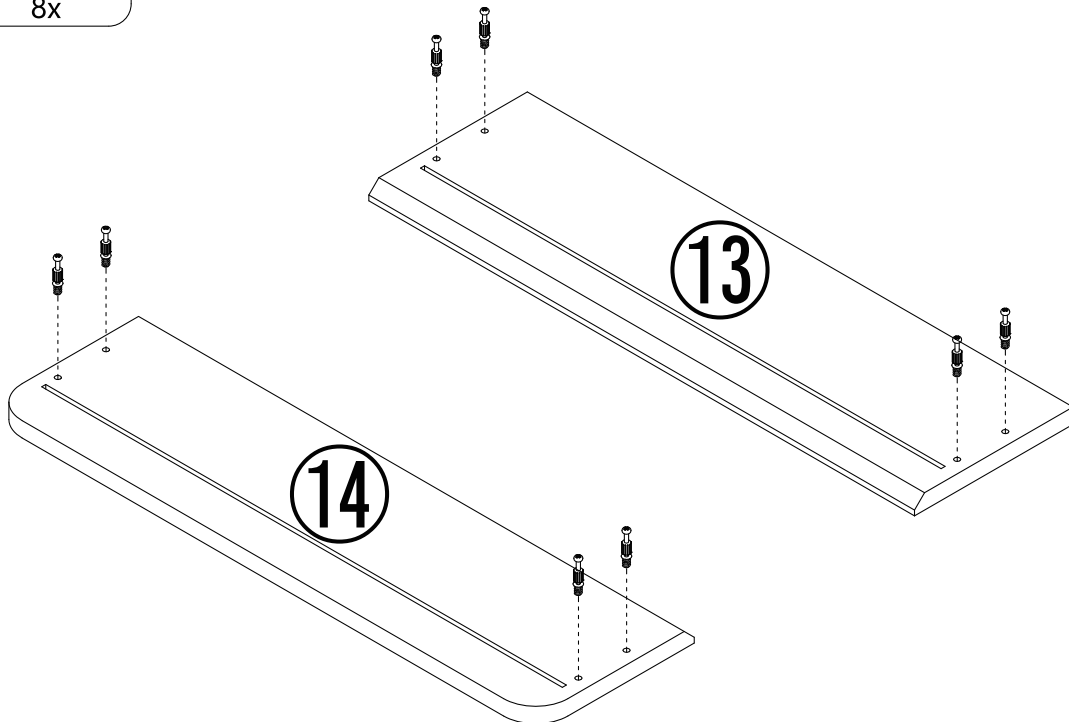
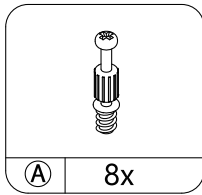


4

# STEP 1

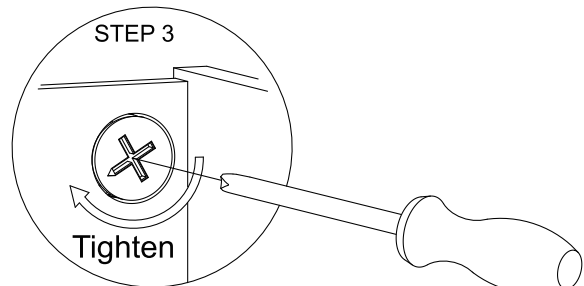
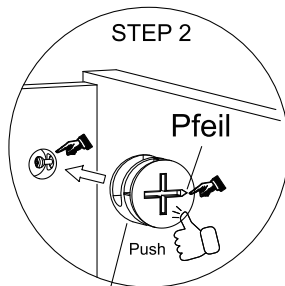
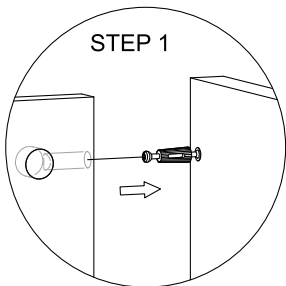
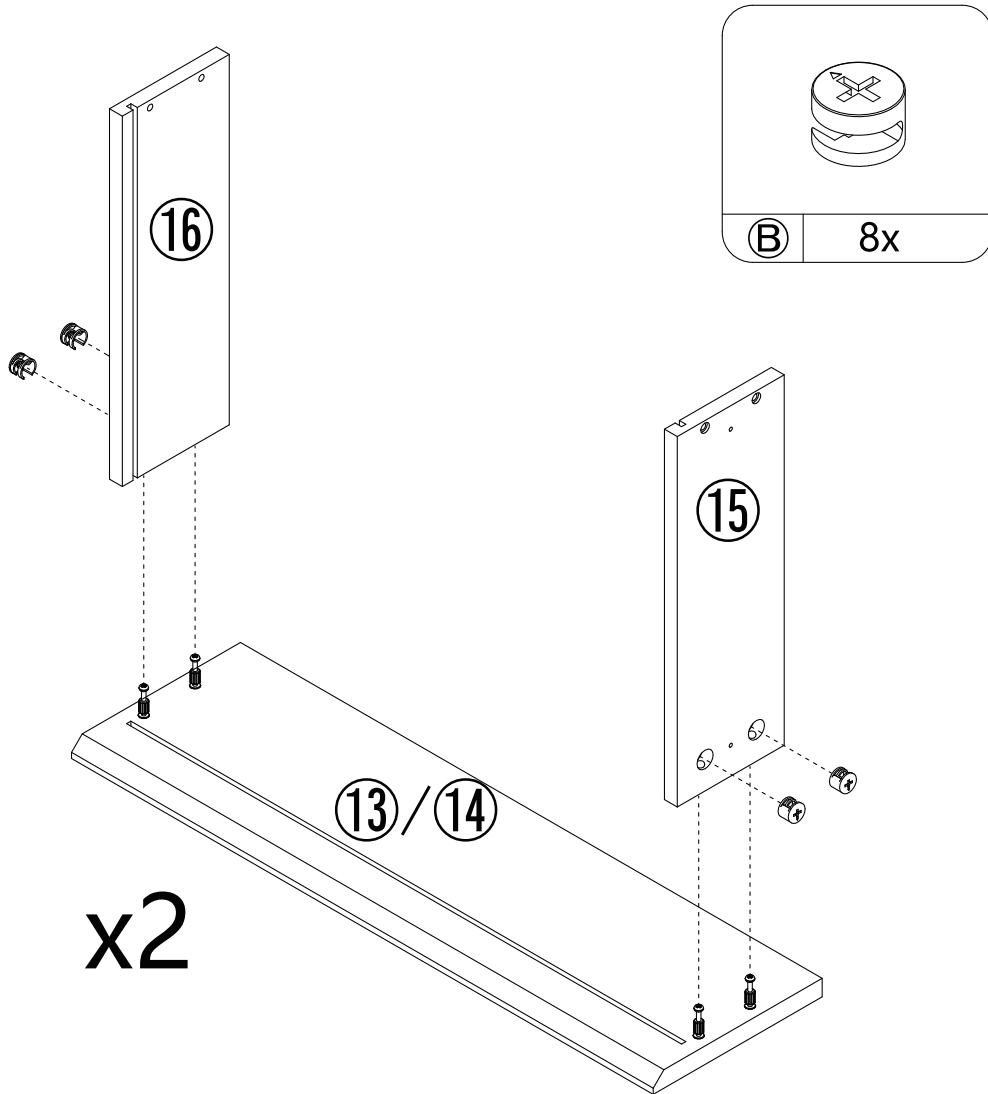
Recommended for two-person. Estimated time: 1 hour. Suggested tools:

		<b>NOT INCLUDED</b>	
Phillips Screwdriver	Slotted Screwdriver		
		Electric Drill	Hammer



5

## STEP 2

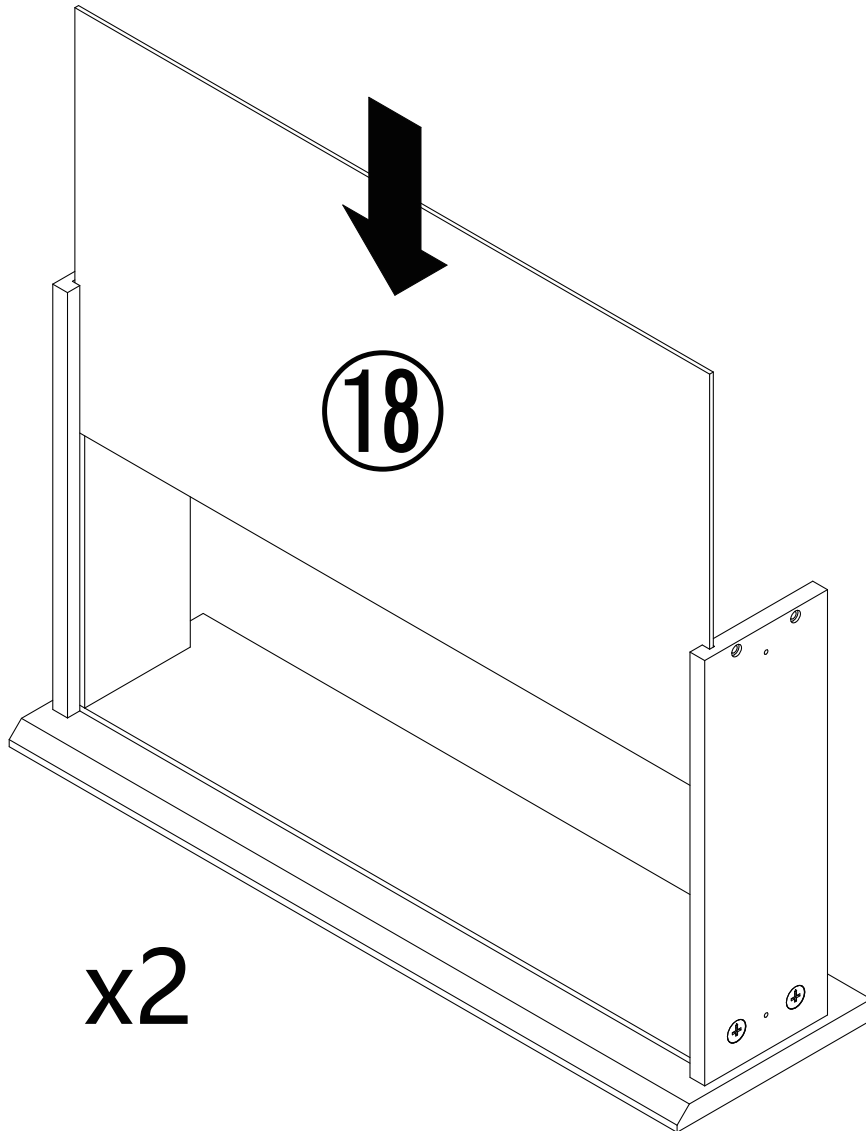


Push the KD cam all the way into the hole before tightening.

6

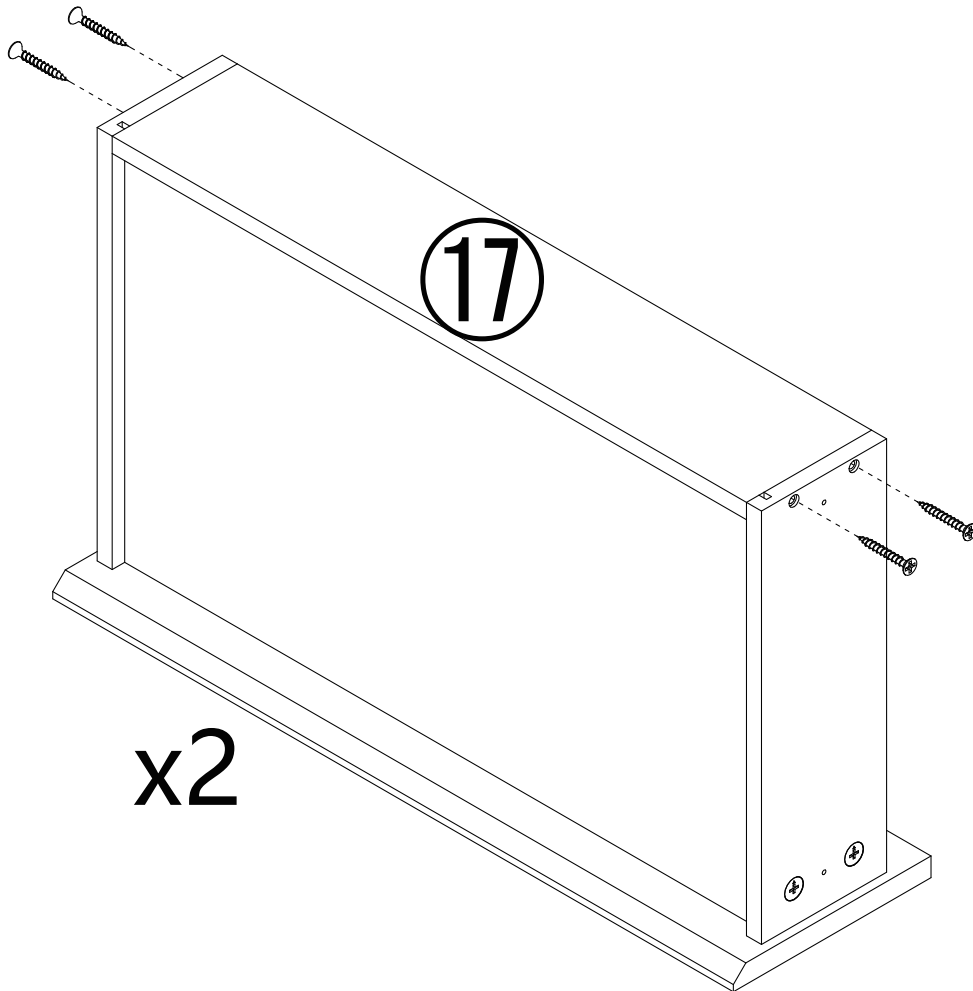
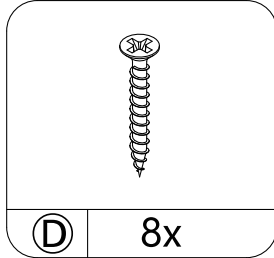
STEP 3

---



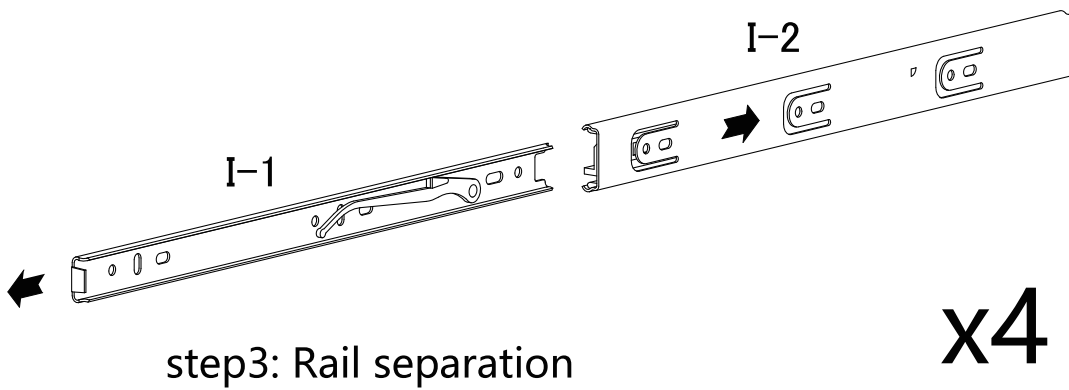
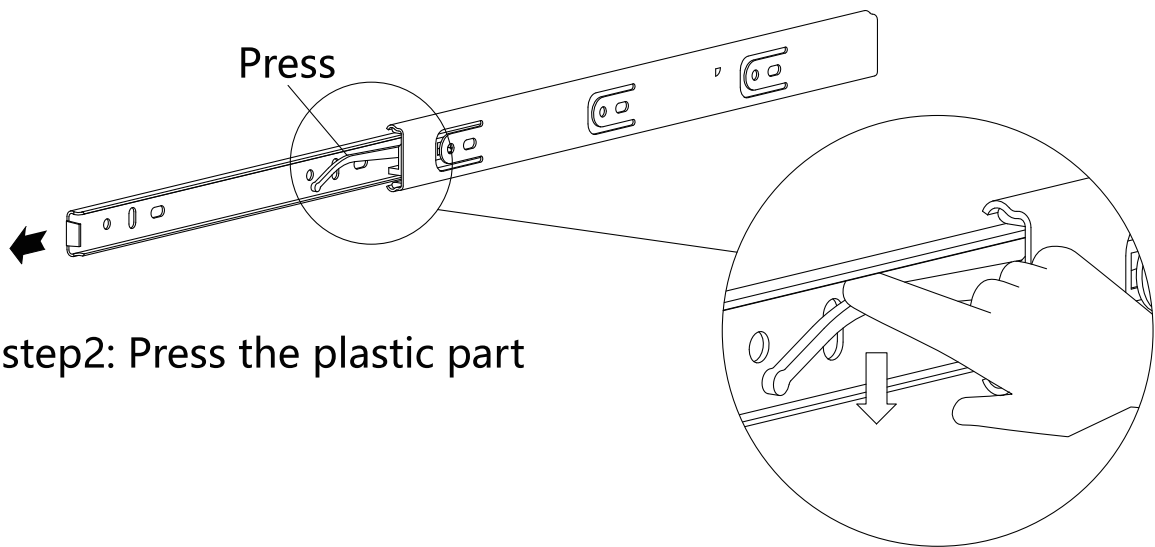
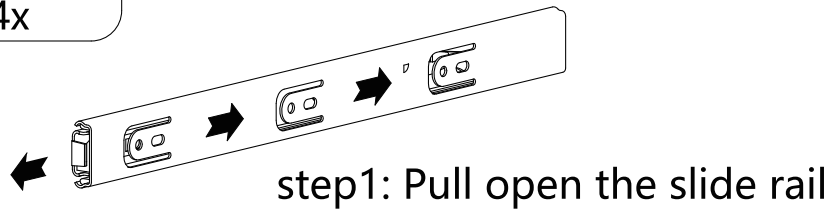
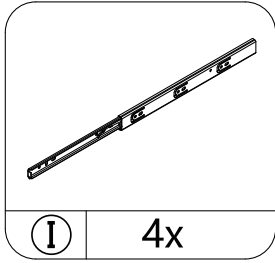
7

# STEP 4



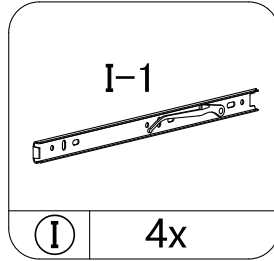
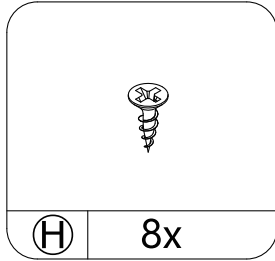
8

# STEP 5

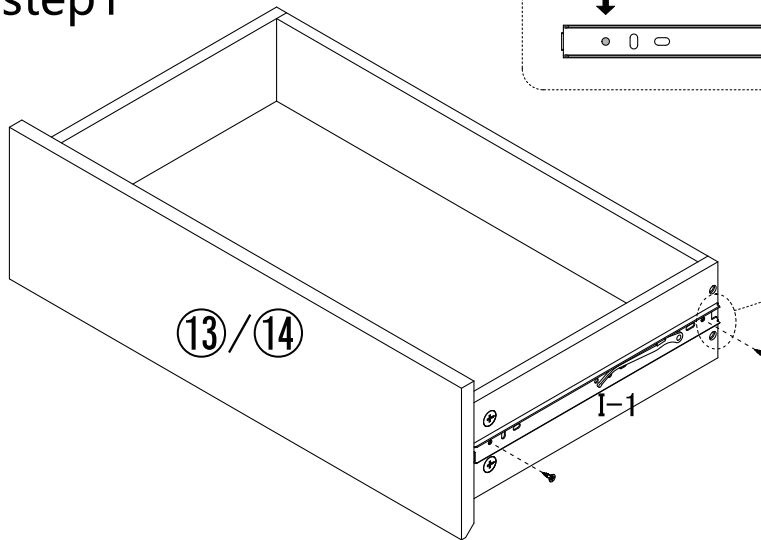


9

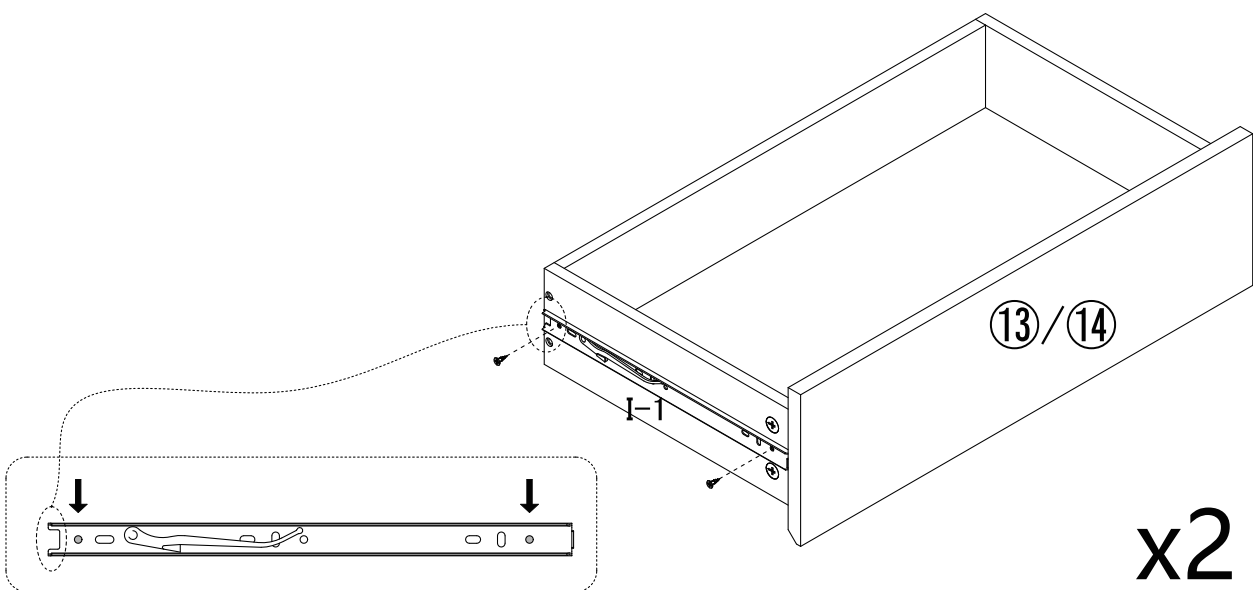
# STEP 6



step1



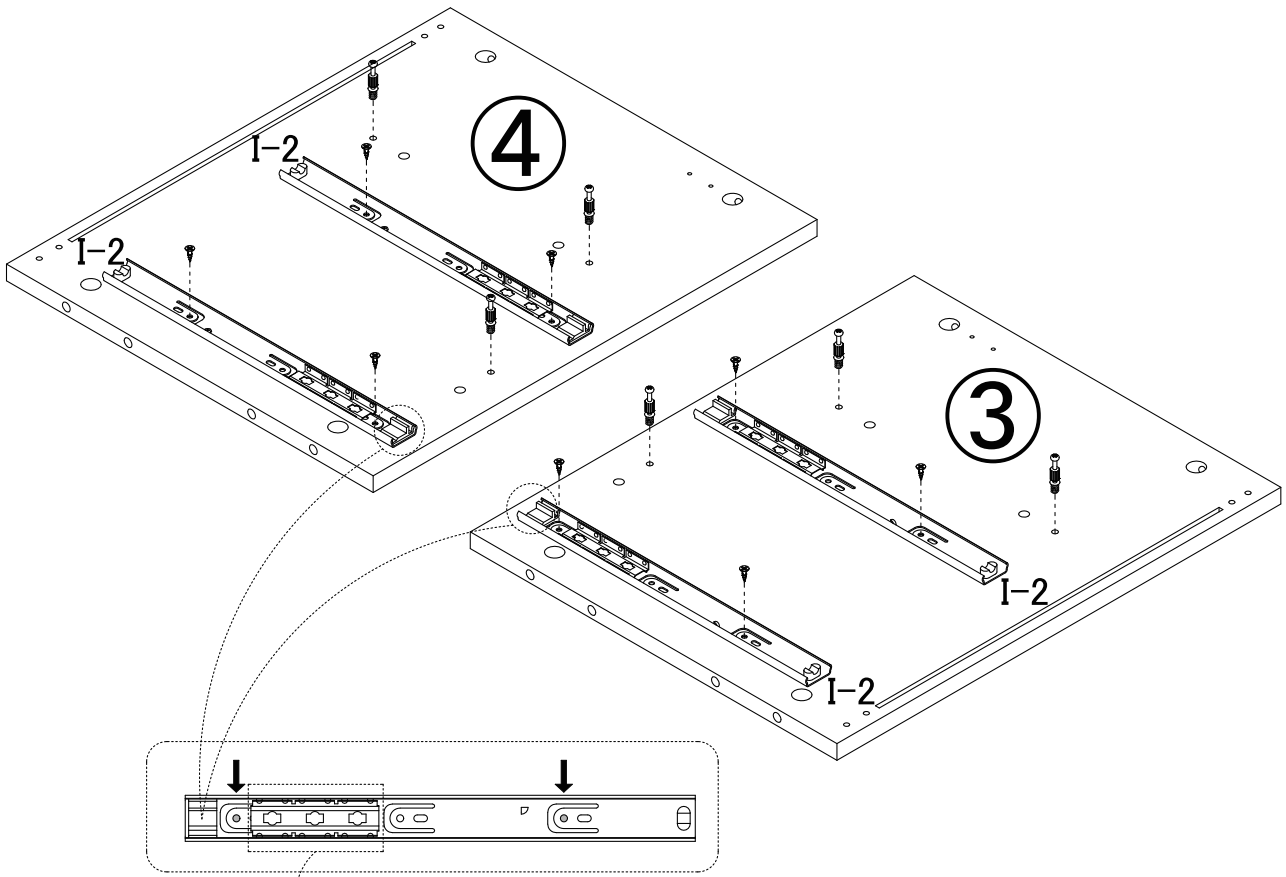
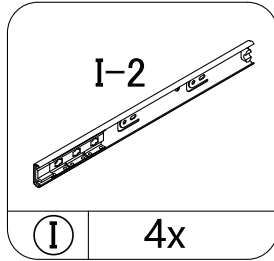
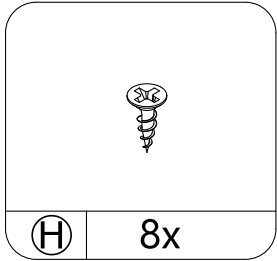
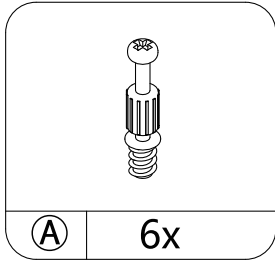
step2



x2

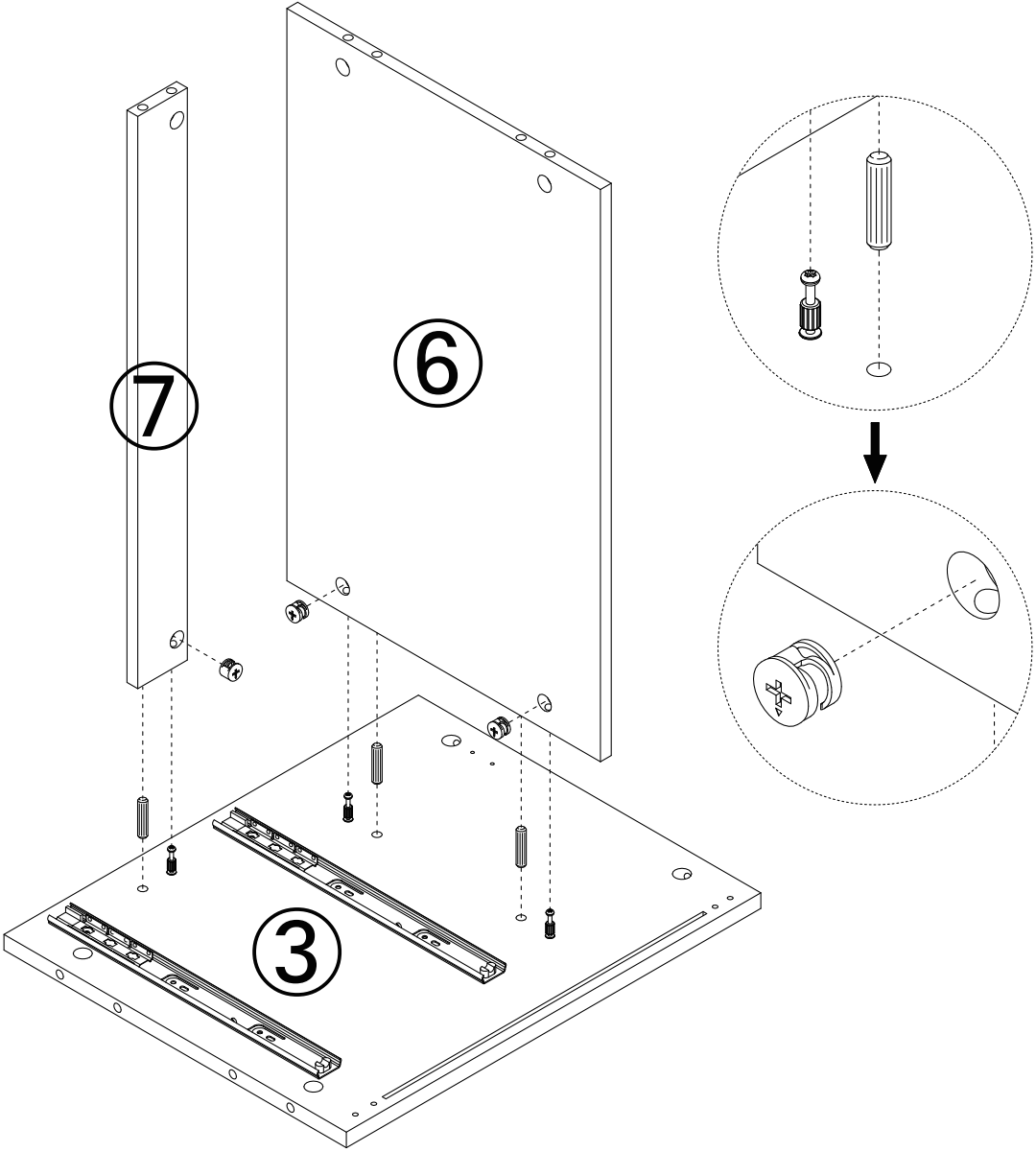
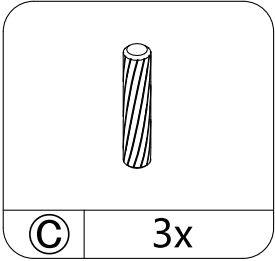
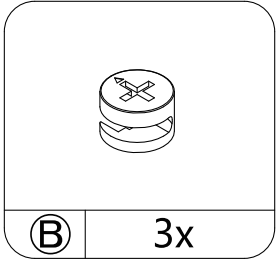
# 10

## STEP 7

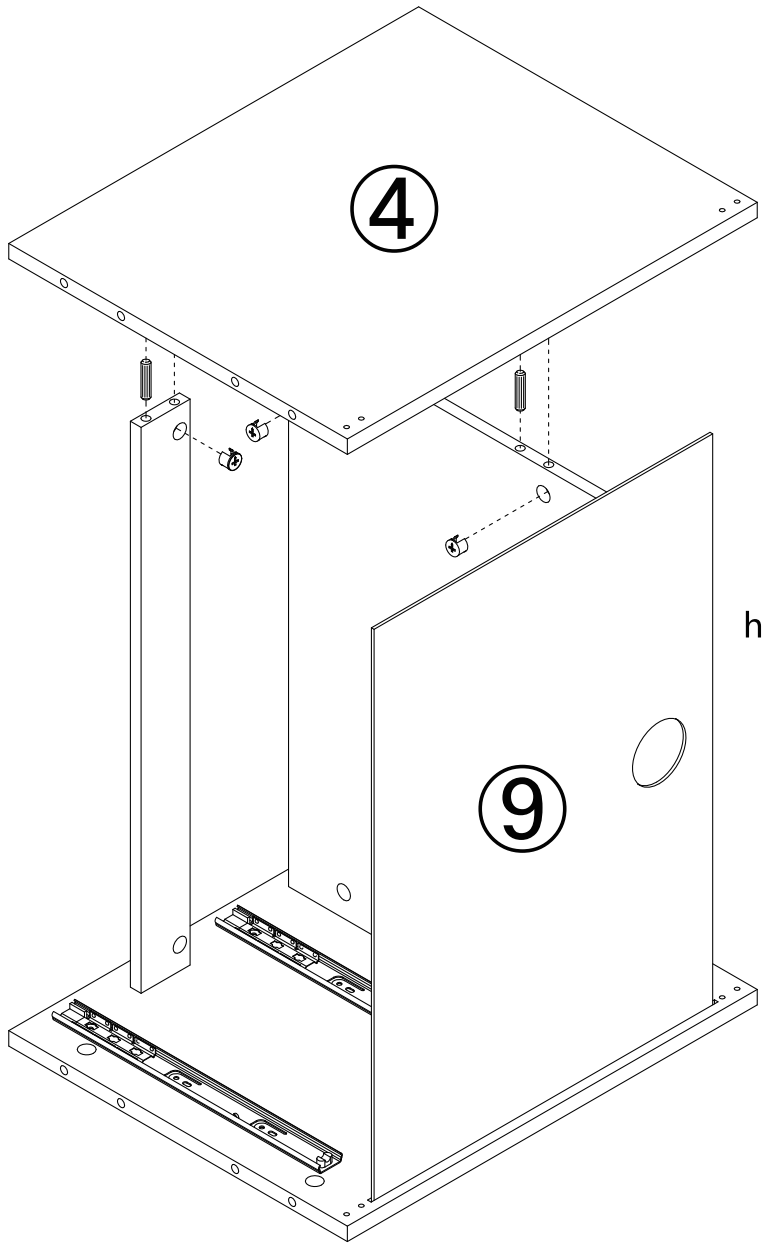
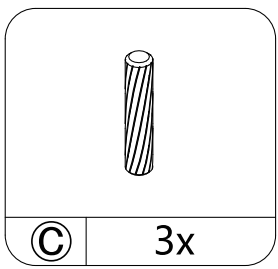
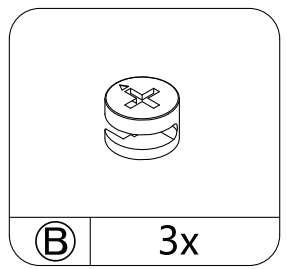


Move the component to ensure all holes are exposed.

STEP 8

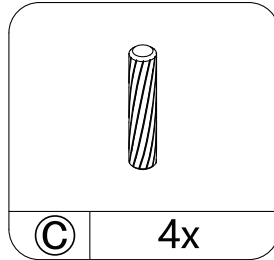
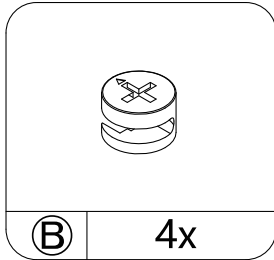
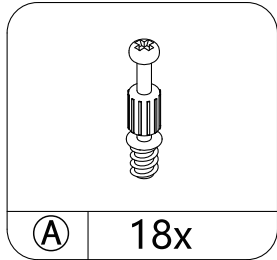


STEP 9



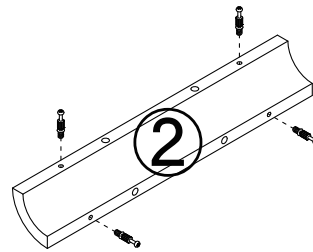
hold the board ⑨ with hand

# STEP 10

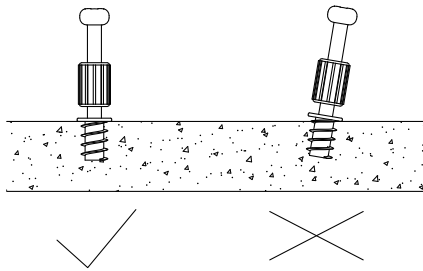


## step1

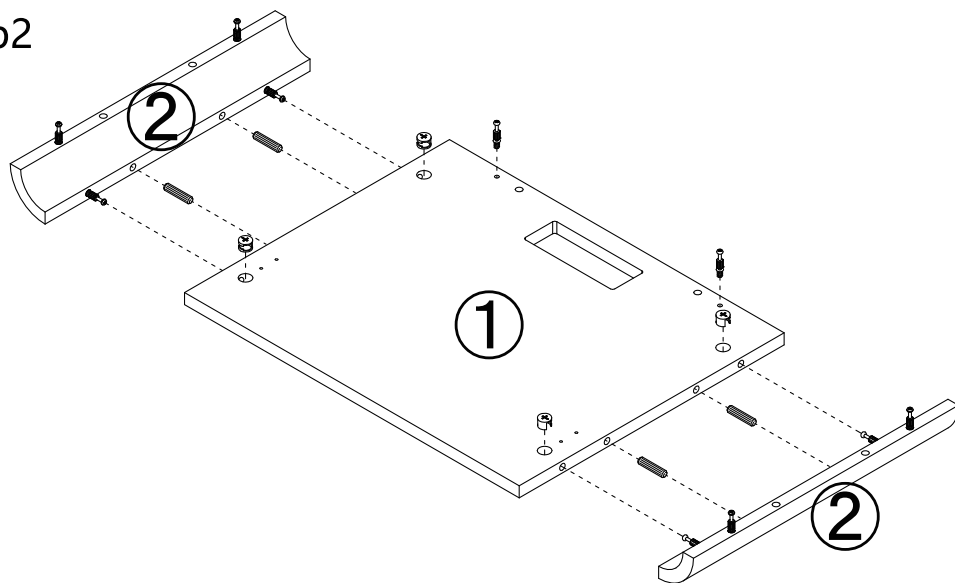
This component has an irregular shape. When you are installing, try to screw it in by hand first and then use tools to reinforce it.



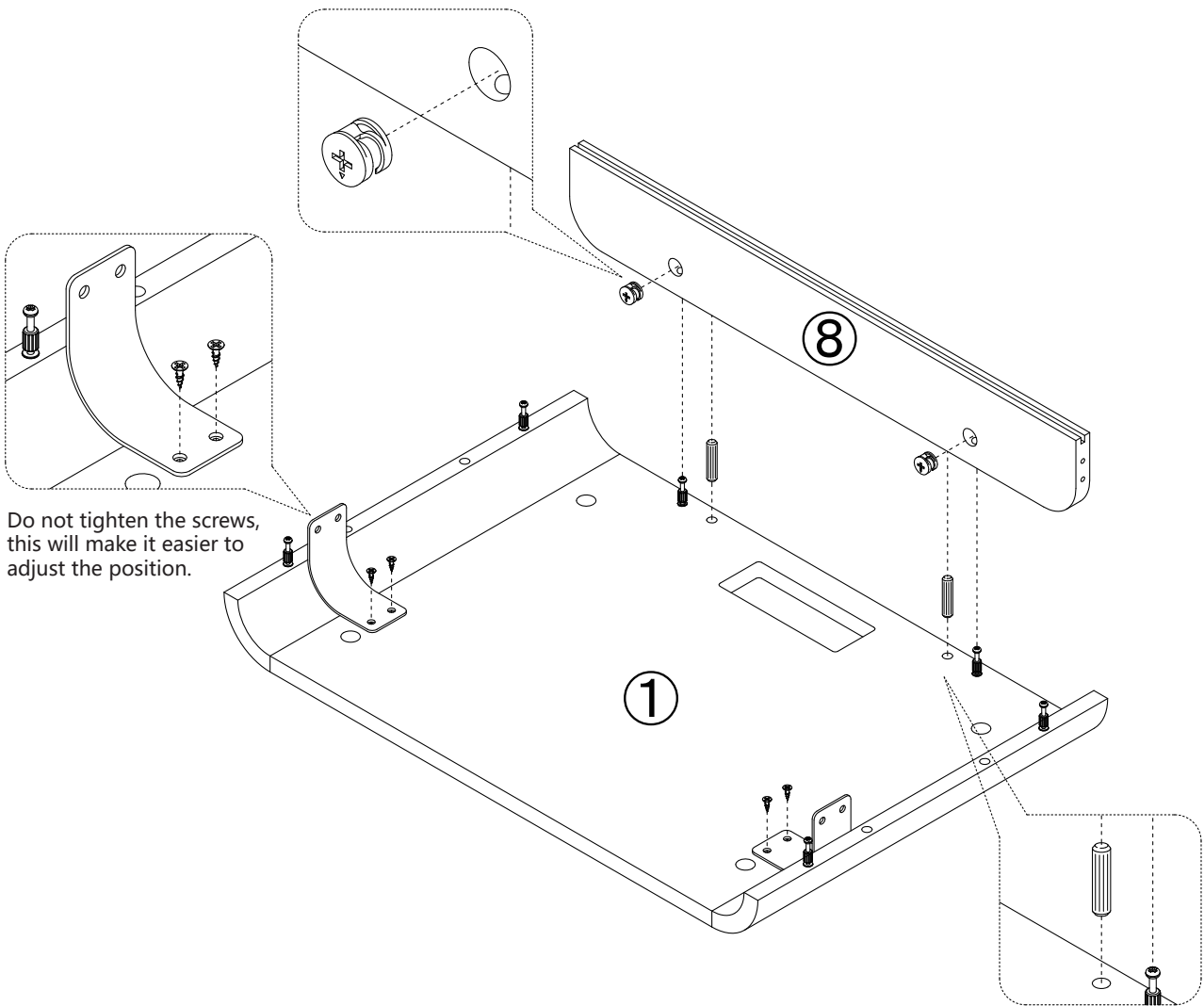
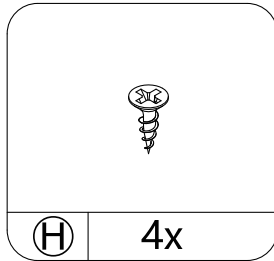
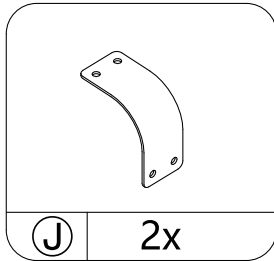
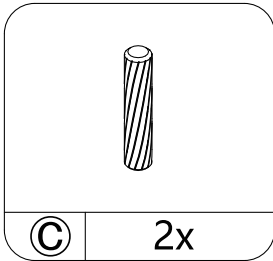
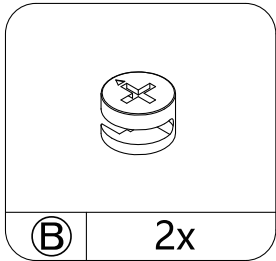
x4



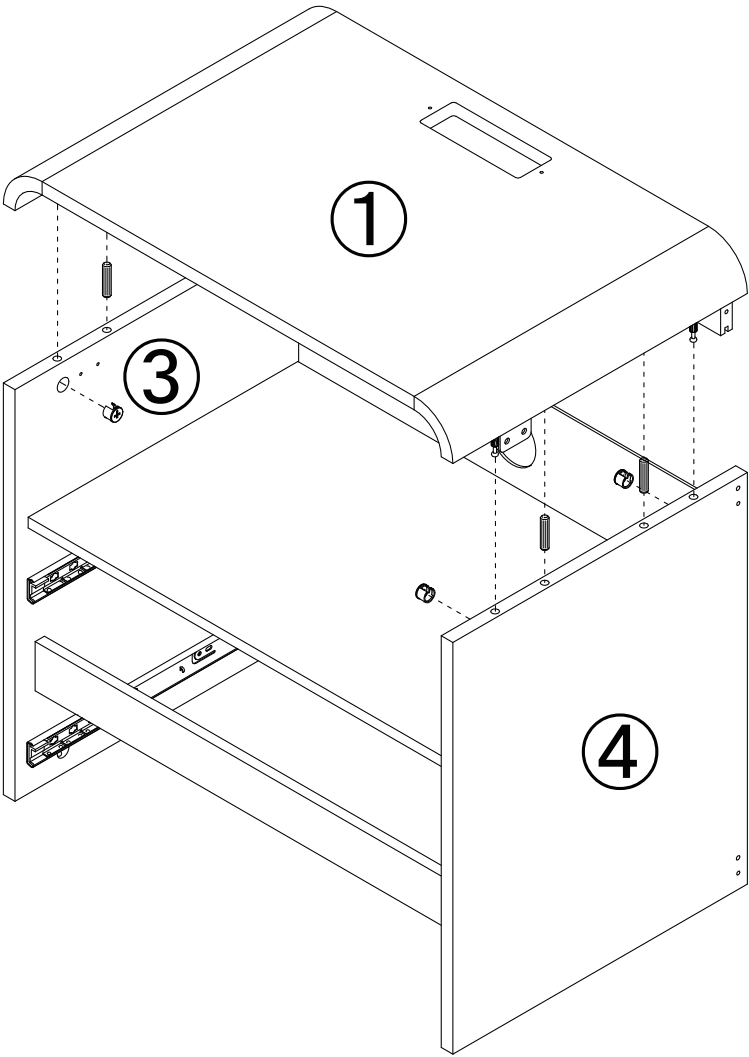
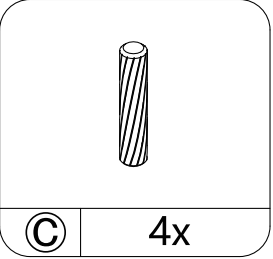
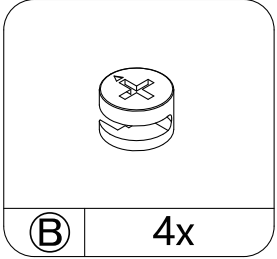
## step2



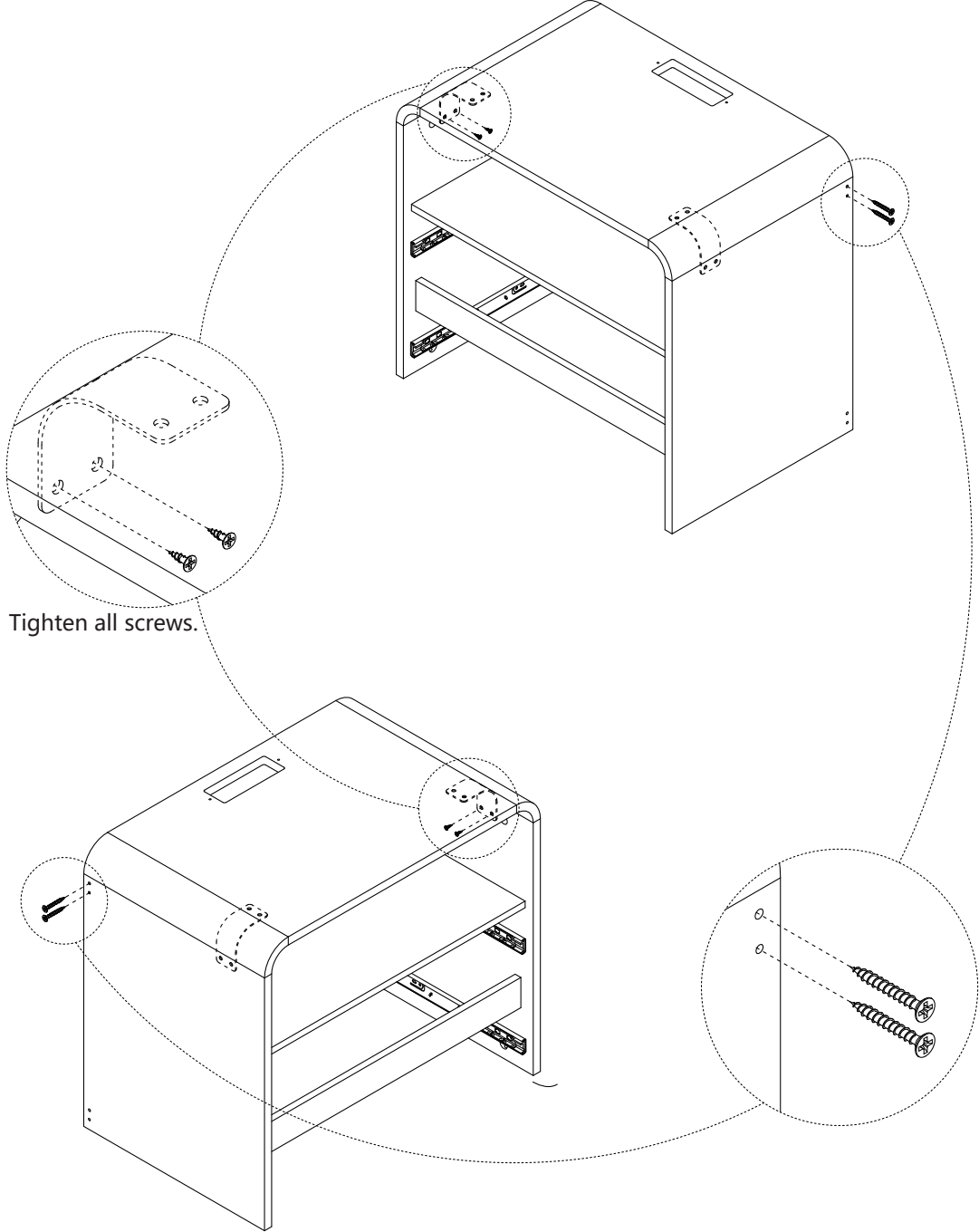
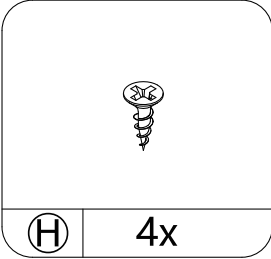
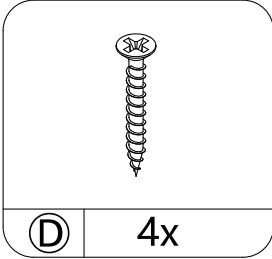
# STEP 11



STEP 12

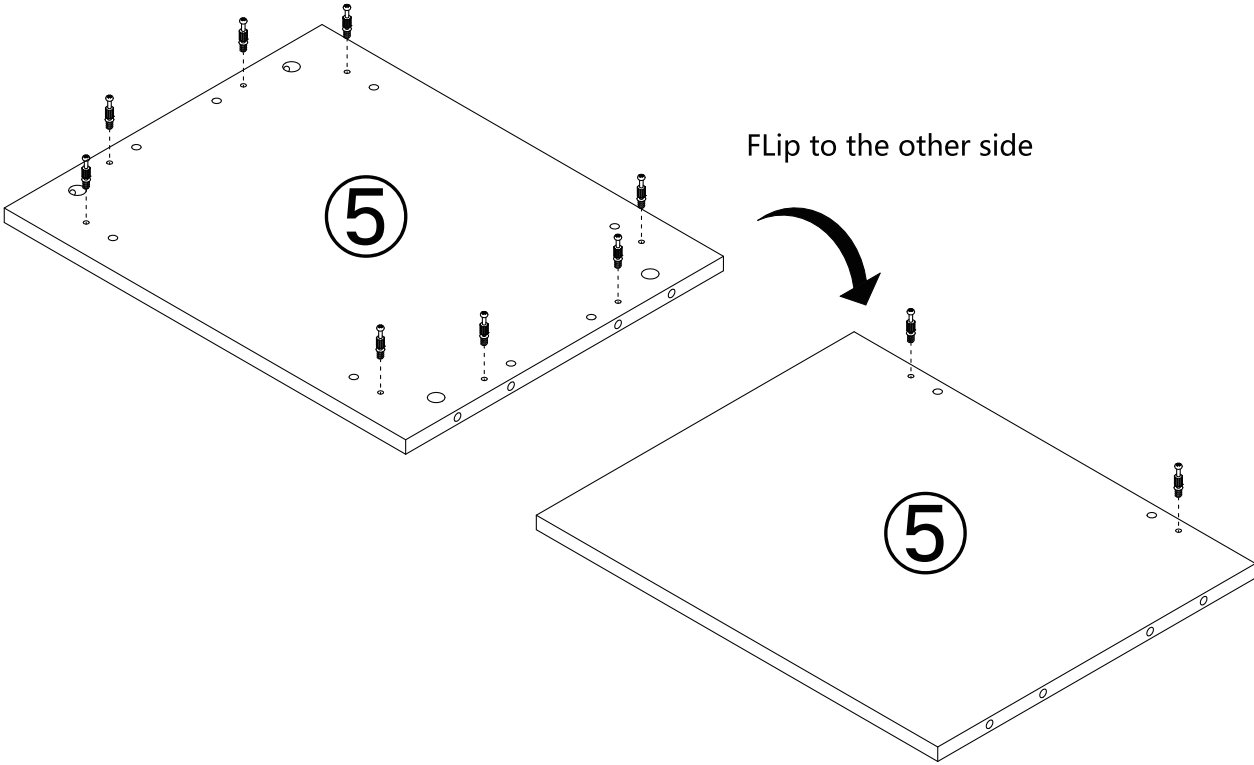
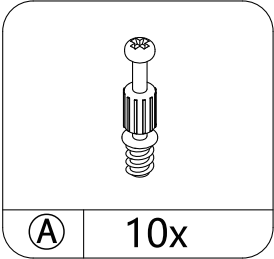


STEP 13

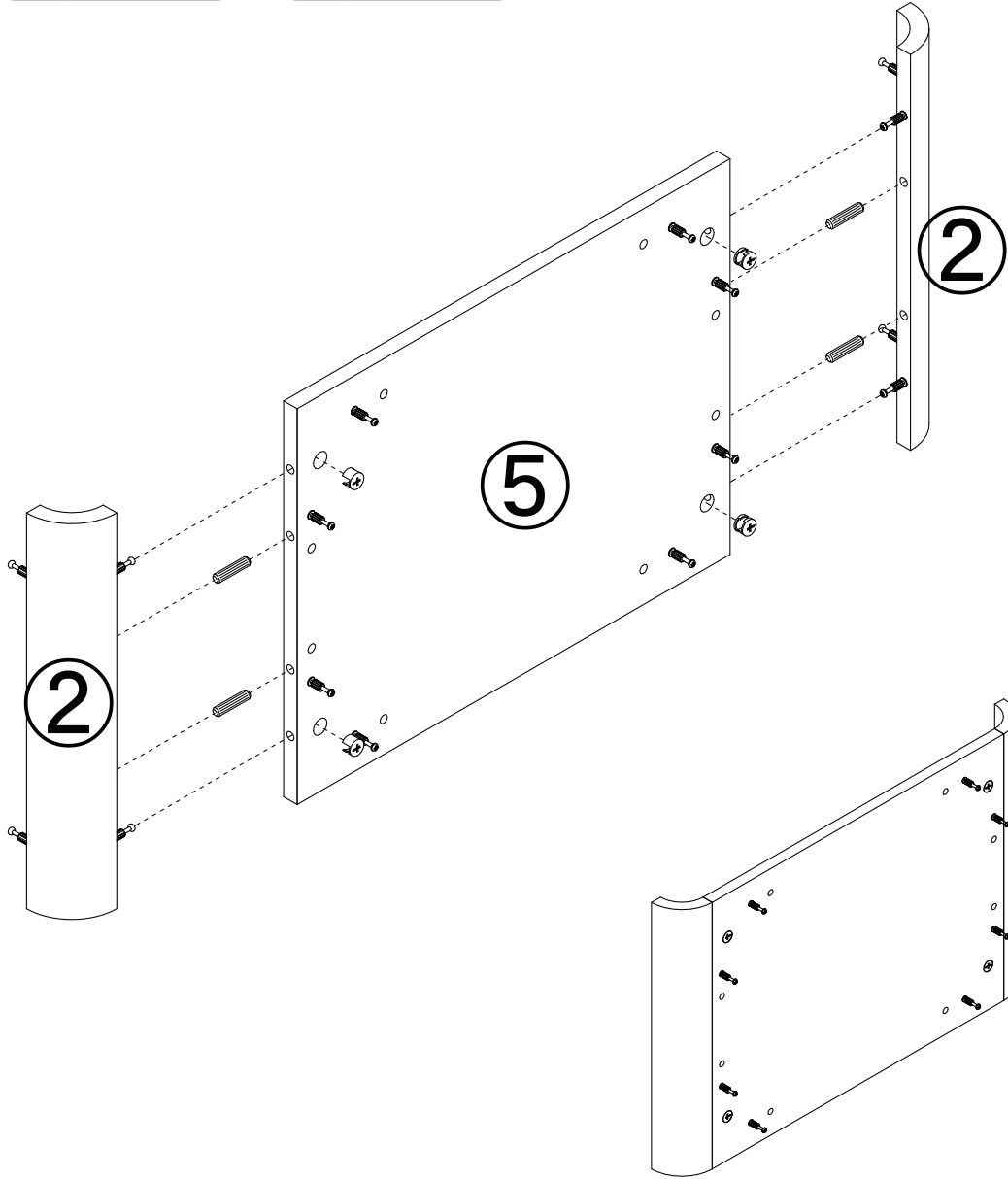
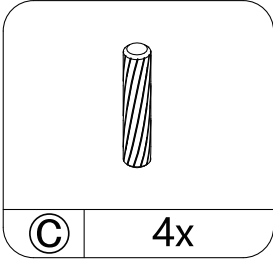
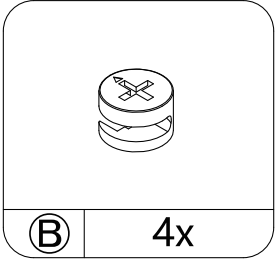


Tighten all screws.

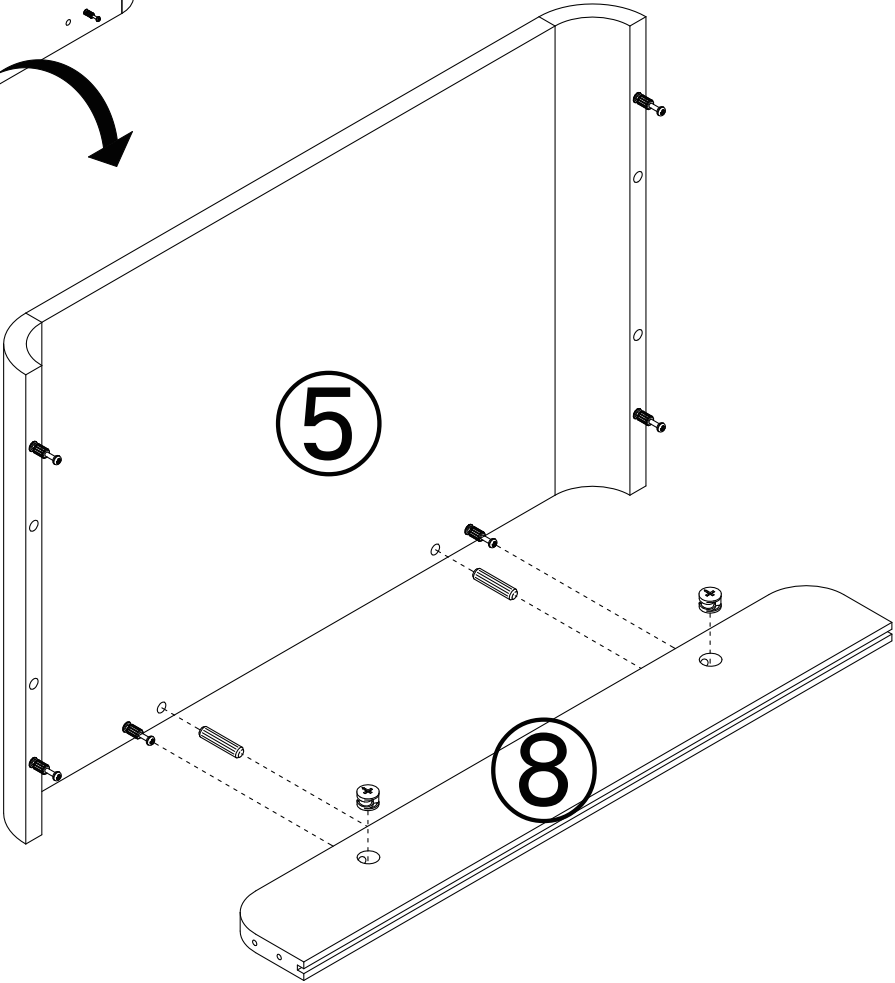
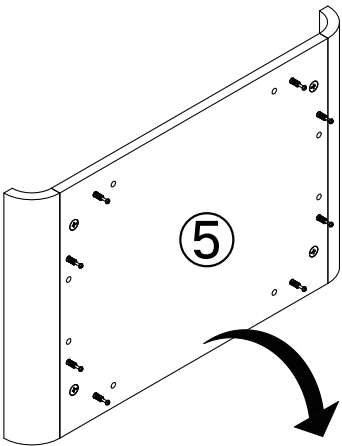
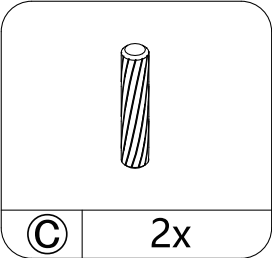
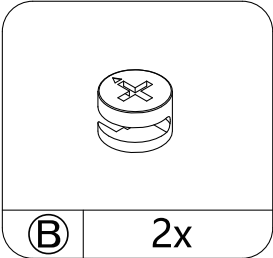
STEP 14



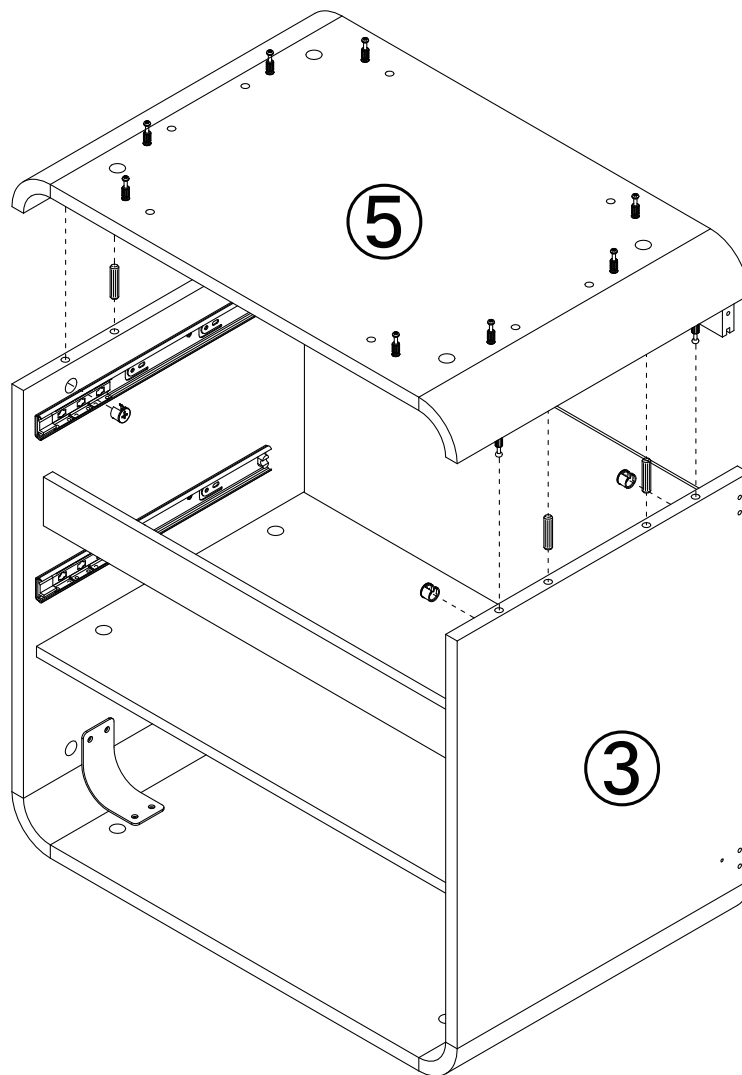
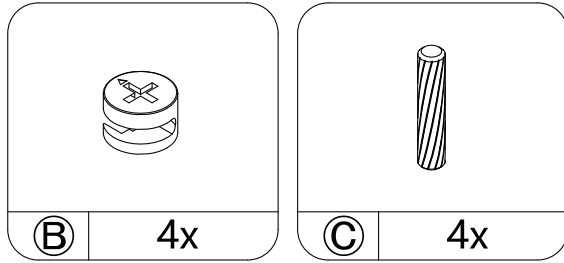
STEP 15



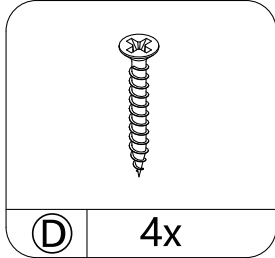
STEP 16



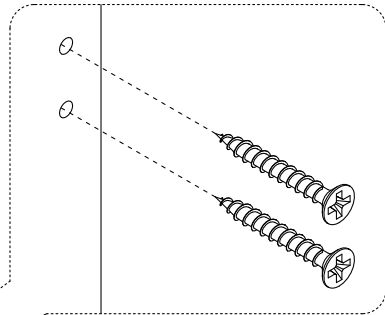
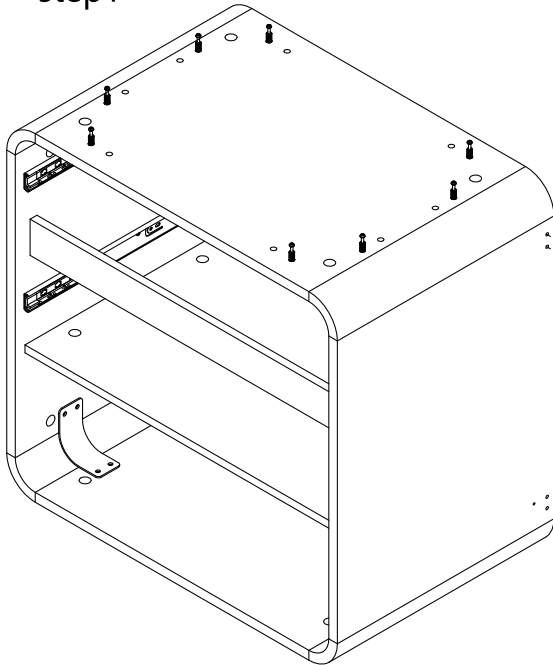
# STEP 17



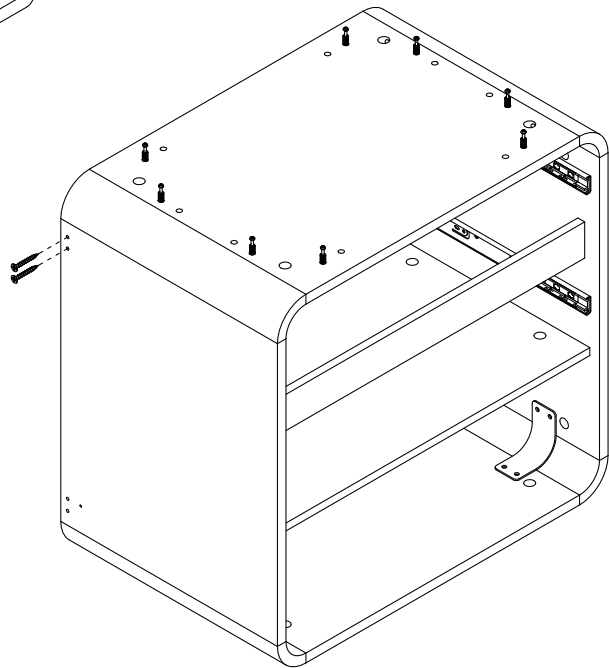
# STEP 18



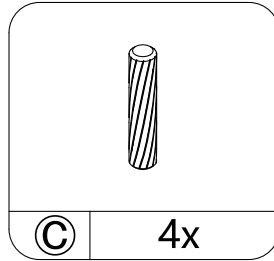
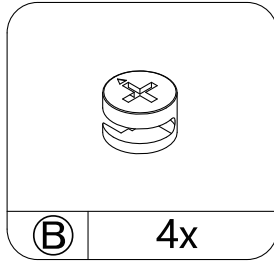
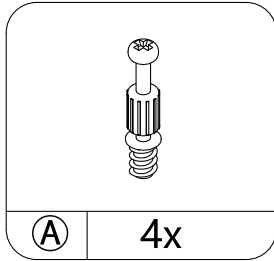
step1



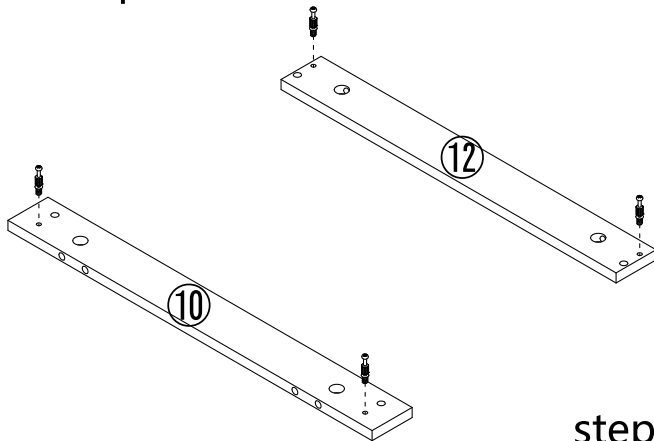
step2



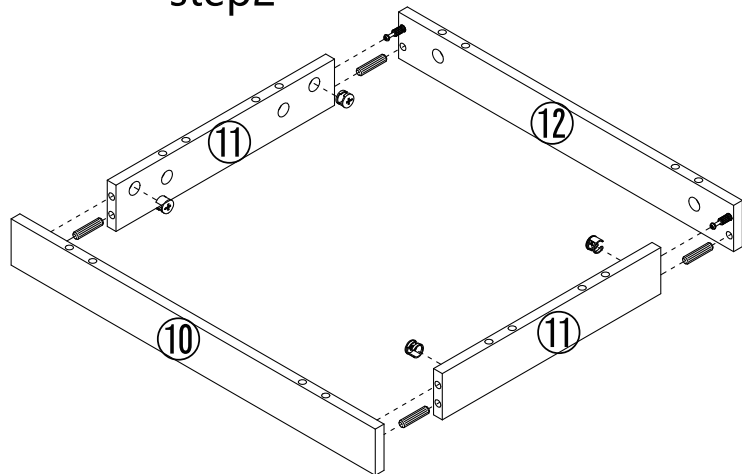
STEP 19



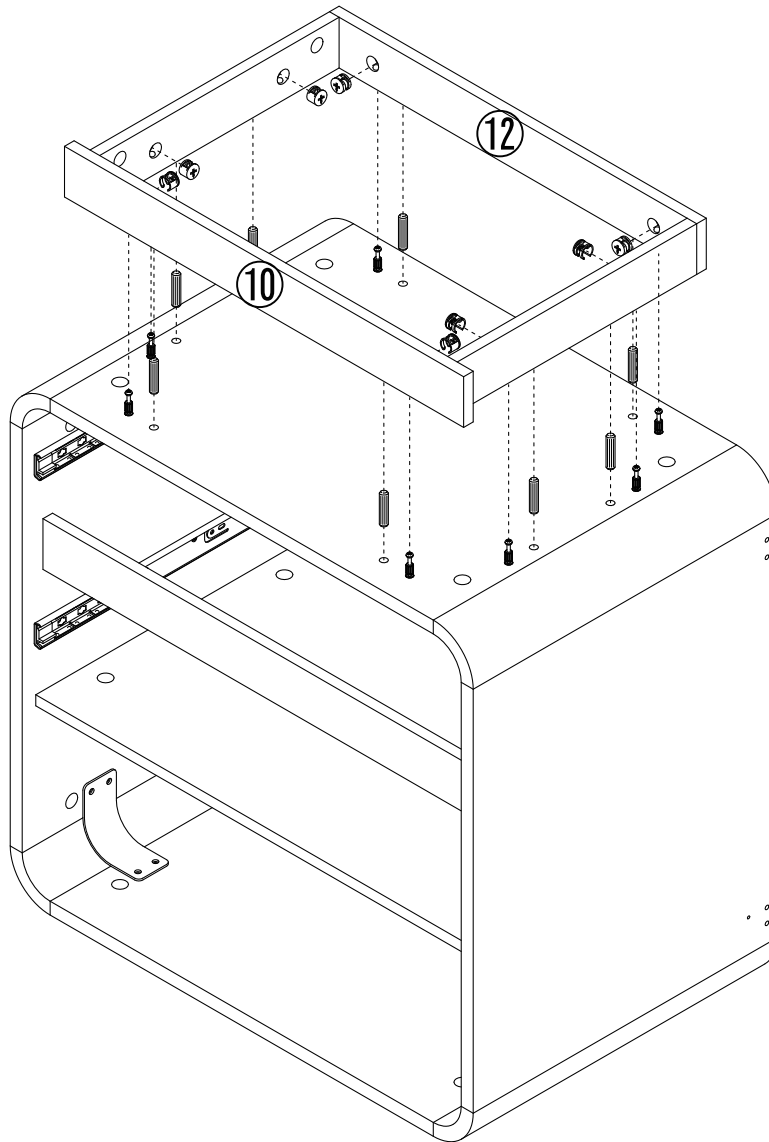
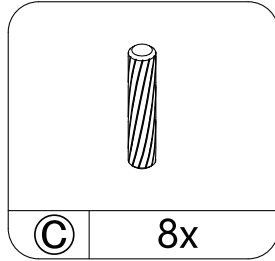
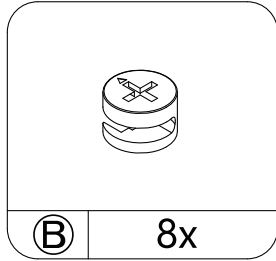
step1



step2

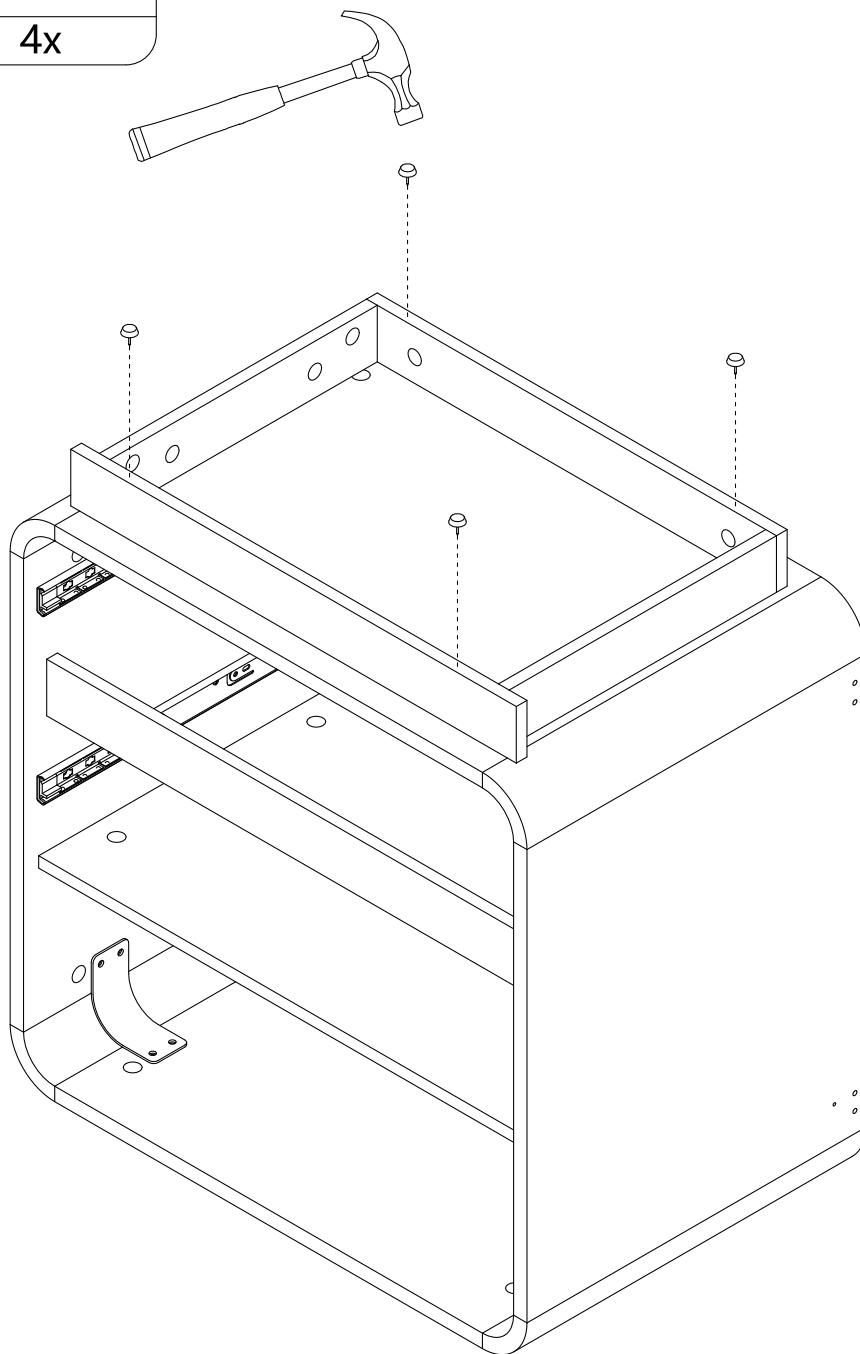
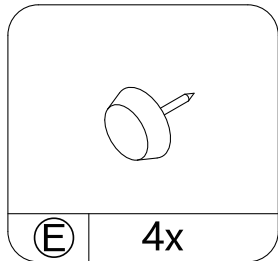


STEP 20



24

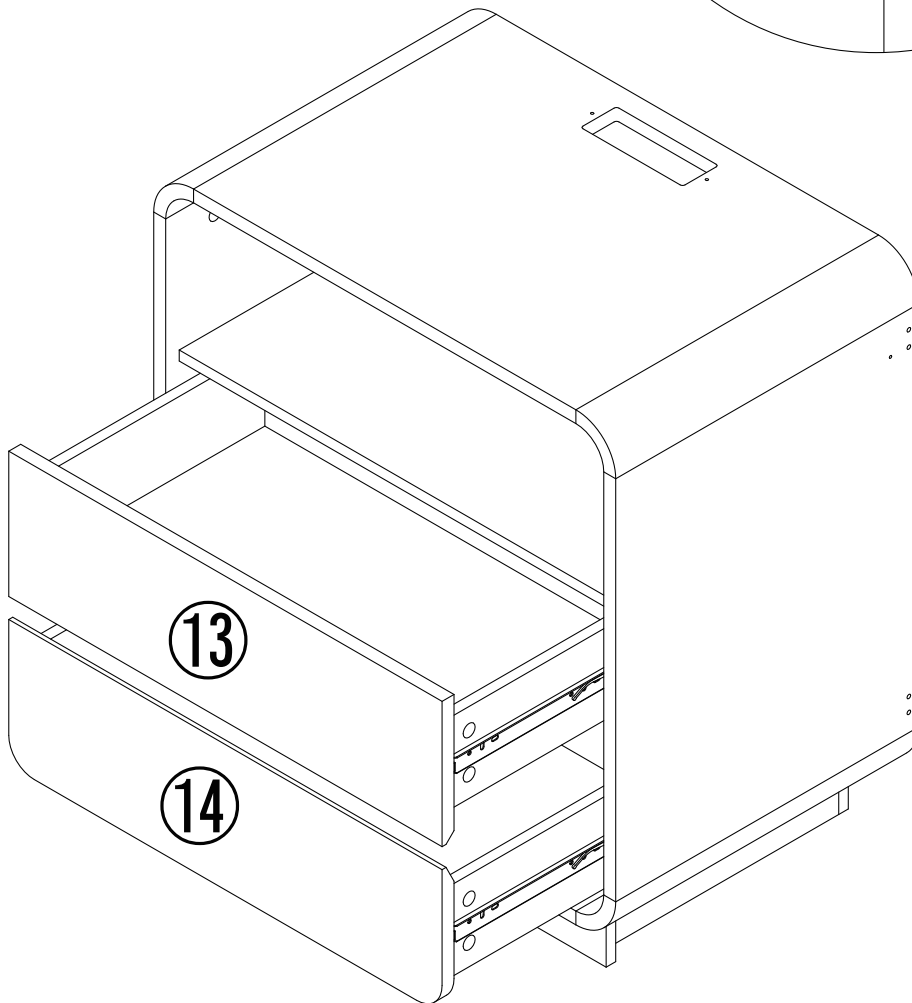
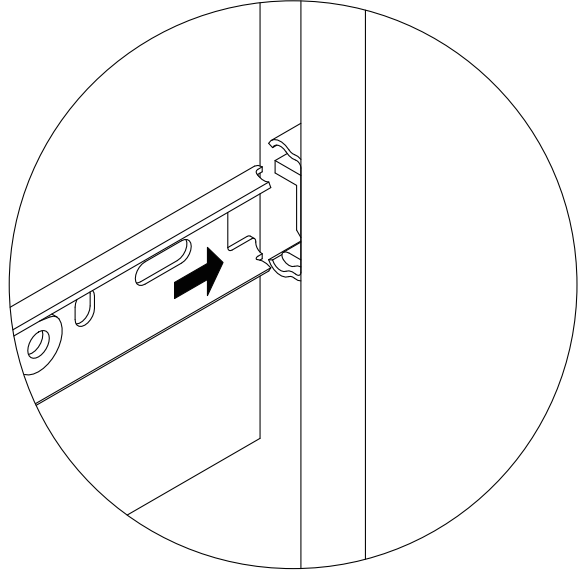
# STEP 21



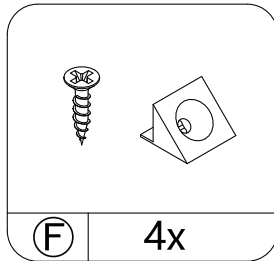
## STEP 22

---

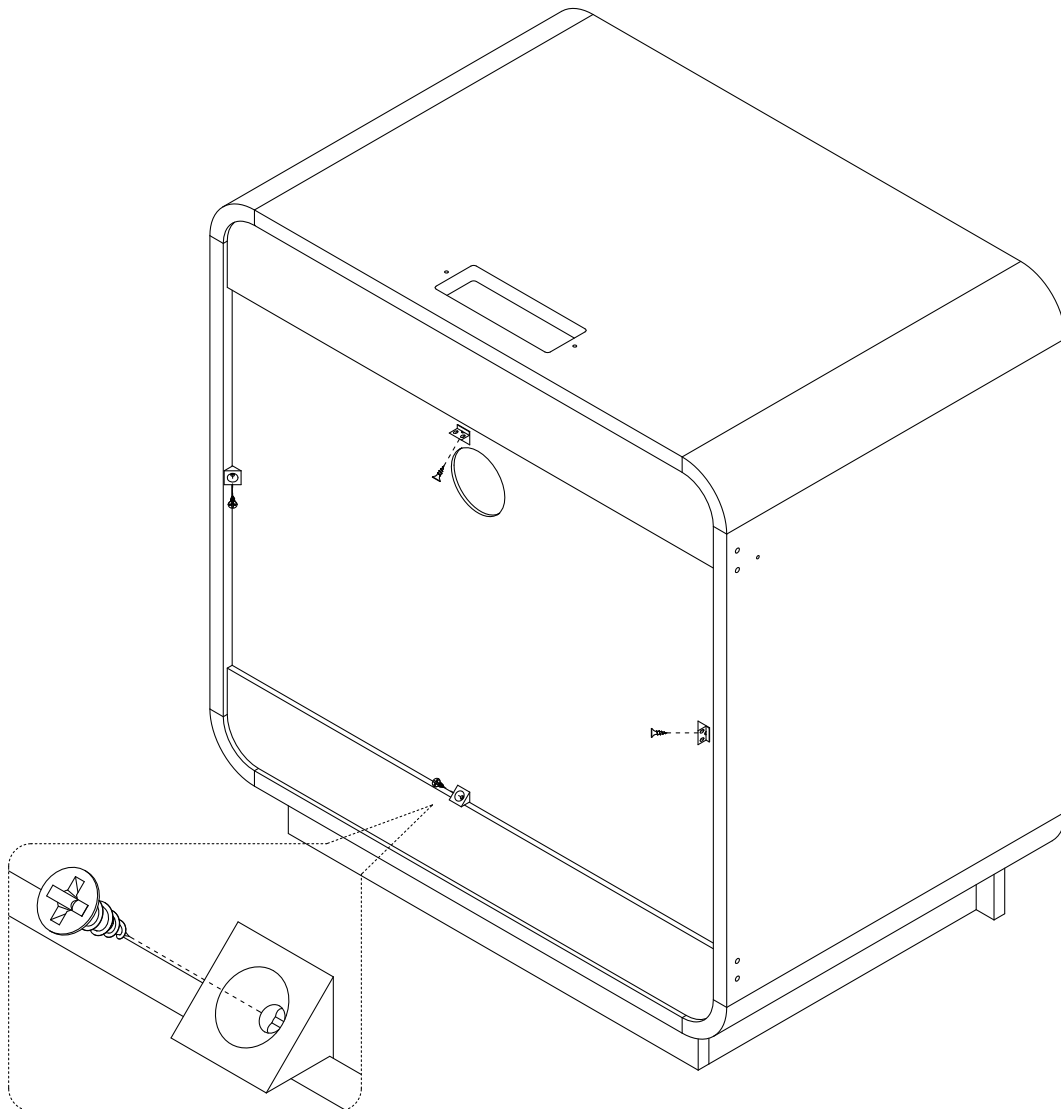
Once the slide rail is aligned, push it in with increased force.



## STEP 23

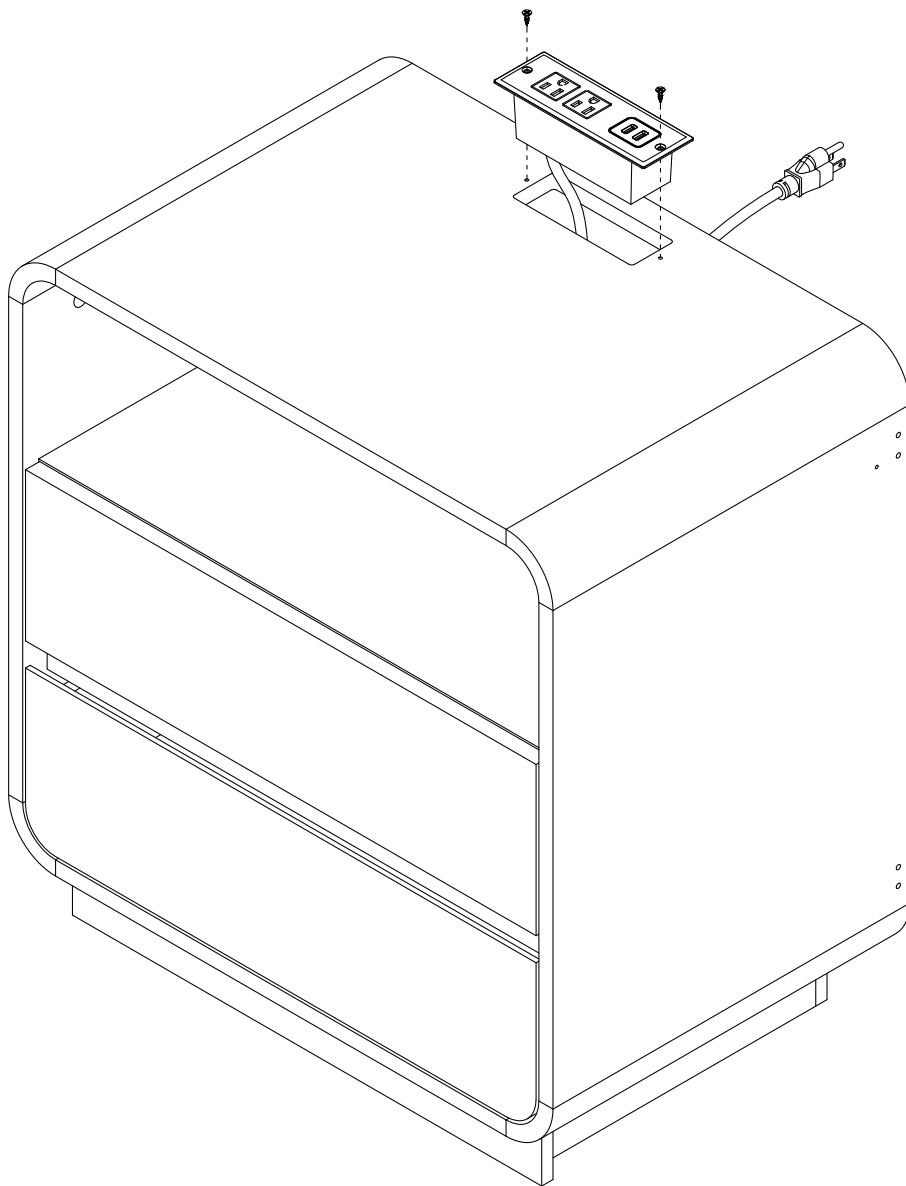
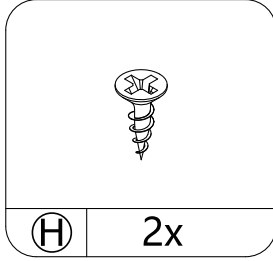
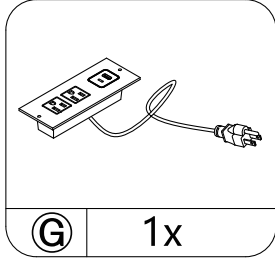


Note: The backboard buckle(number ⓕ) must be intalled. This can enhance the stability of the furniture.



27

## STEP 24



# STEP 25

