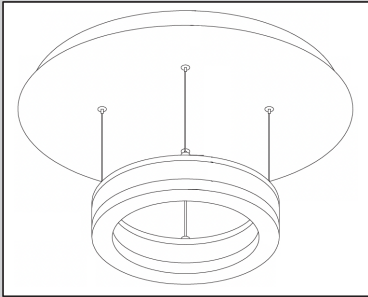


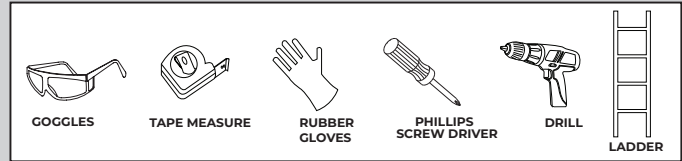
INSTALLATION GUIDE:
EUROPA
 LED PENDANT CEILING LIGHT



MODEL#: VHP26510

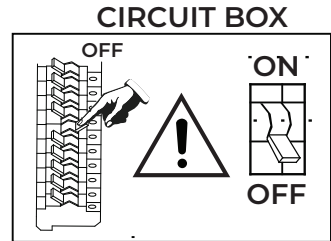


TOOLS YOU MAY NEED



L = Line/Hot/Black N = Neutral/White ⊕ = Ground/Green

Parts component list		2	3	4	5	6	7
	1x						
Allen key 1.5mm		2x + 1 extra 1 1/8"	2x + 1 extra 3/4"	4x + 1 extra 1 1/8"	2x + 1 extra	4x 1/2"	1x



LED INFO & WARNINGS ⚠

Please read and understand the entire manual before attempting to assemble, operate, or install the product.	Make sure that you have all necessary parts by checking the parts list. If any part is missing or damaged please contact VONN LIGHTING CUSTOMER SERVICE at 888-604-8666 for a replacement.
All parts must be used as indicated in these instructions. Do not substitute any parts, leave parts out, or use any parts that are worn or broken.	Inspect the LED fixture prior to installation to make sure that it has not been damaged during shipping.
Please handle the LED light with care when unpacking. Do not apply pressure to the LED's, do not open any factory sealed compartments, and do not touch the LEDs with your hands.	VONN highly recommends to use a qualified, licensed electrician to install the fixture. ⚠
VONN recommends to install the fixture on its own independent circuit. Do not install the fixture on the same circuit with the other appliances, or HVAC systems.	Do not remove or replace VONN manufactured parts that is provided with the fixture.
Place the wall switch in the "OFF" position of the room you are installing the fixture.	Shut "OFF" the electricity at main fuse box.



Instructions

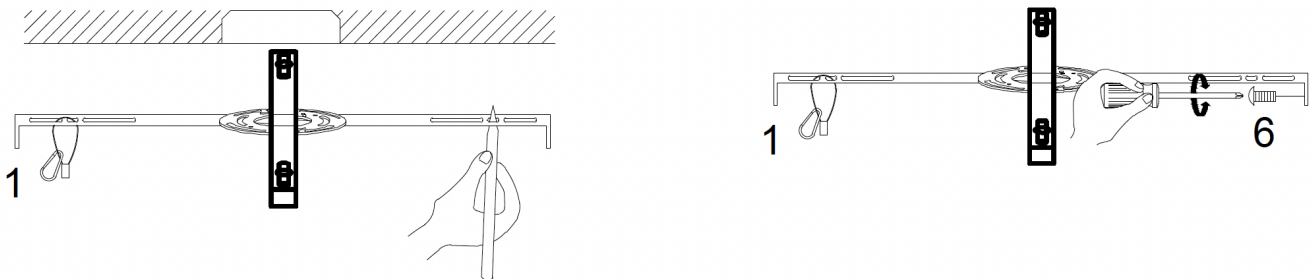
VONN

STEP 1.

Turn off the power at the break box. Test that the power is off at the ceiling junction box with a circuit tester.

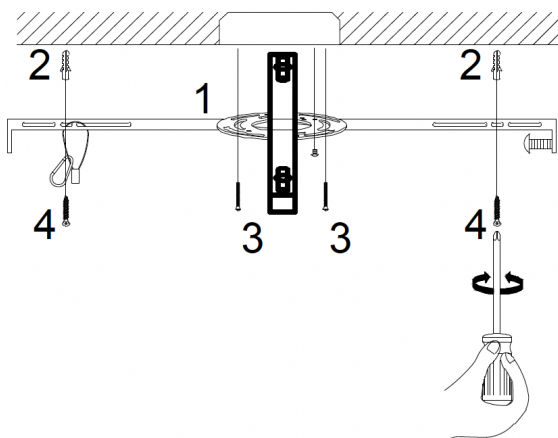
STEP 2.

Mark the position of the hanger's holes on your ceiling. Next, thread a screw (6) through one of the mounting holes for the canopy from the inside of the hanger as shown.



STEP 3.

Drill the ceiling holes for the plastic anchors (2). Install the provided plastic anchors into the holes you've just drilled. Mount the hanger with the 4 screws provided. The 3/4" screws (3) are screwed into your junction box. The 1 1/8" screws (4) are screwed into your plastic anchors.

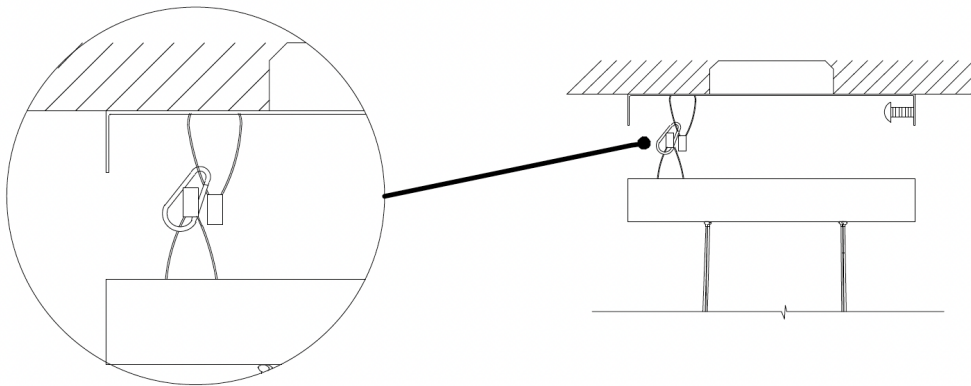


Instructions



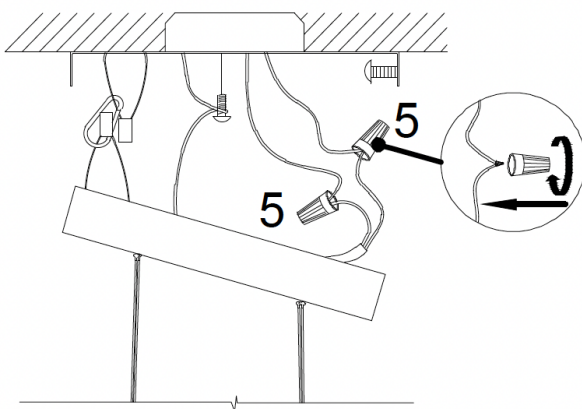
STEP 4.

Clip the light fixture to the mounting hanger (1) as shown. This will support the weight of the light fixture for you to continue to the next step.



STEP 5.

Connect the power and neutral wires using the provided wire caps. Connect the white wire from the fixture to the neutral wire in your ceiling junction box. Connect the black wire to the power wire in your ceiling junction box. Connect the bare copper ground wire to the green screw on the hanger.

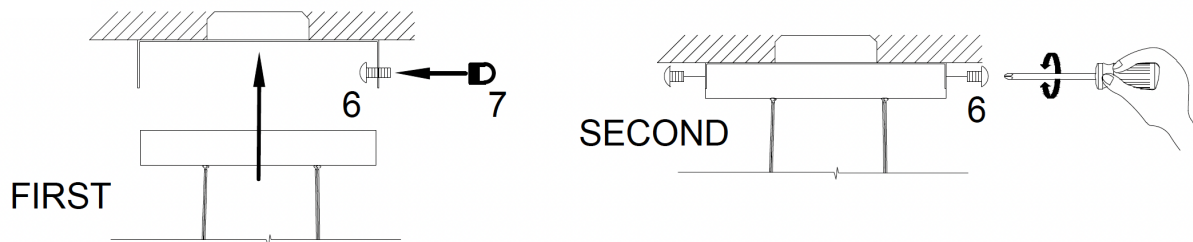


Instructions



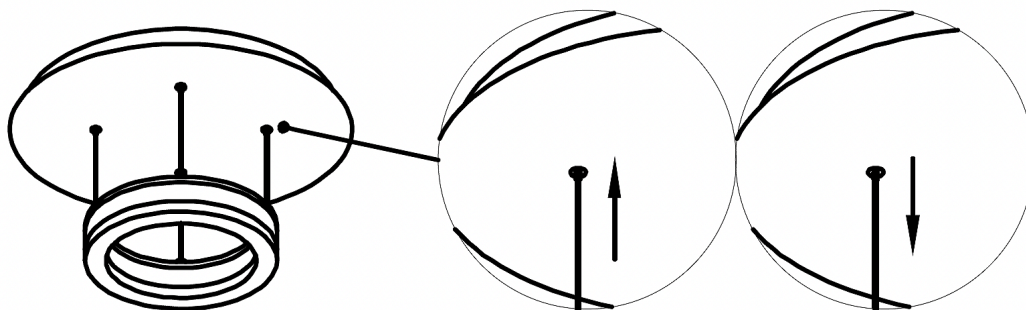
STEP 6.

Mount the fixture ceiling canopy to the hanger using the provided 1/2" screws (6). First, slide the canopy over the screw (6) that was already installed from the inside during step 2 and secure it with the decorative nut (7) as shown. Next, mount the remaining three screws from the outside (6) as shown.



STEP 7.

All support lines should be at the same height. Push the lock nuts up to release the lines and pull through accordingly. Release once your height is set and tighten the hex screw with the allen key on the inside of the canopy to lock the nut and keep the lines in place.



Turn your power back on at the breaker box.

Circuit Box

