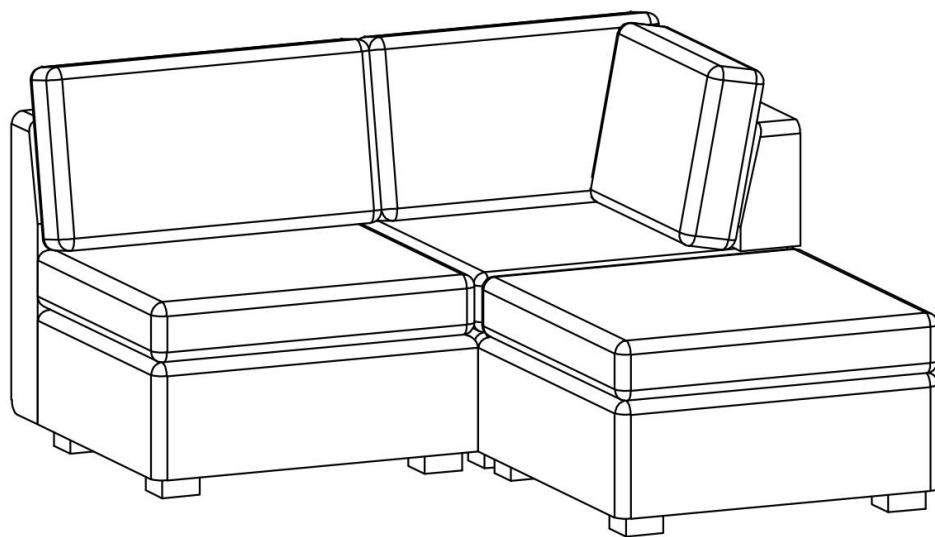
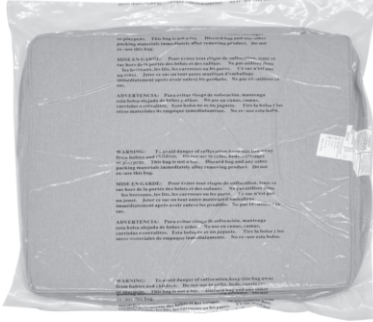


Assembly Instruction



NOTE:

Vaccum compressed cushions,
Will return to normal shape after 2 days use.

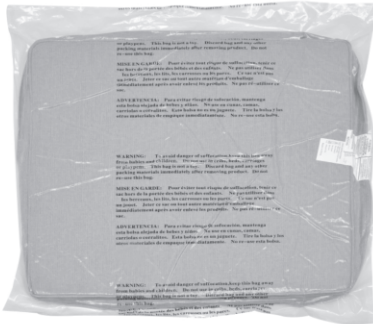


2 days



NOTE:

Vaccum compressed cushions,
Will return to normal shape after 2 days use.

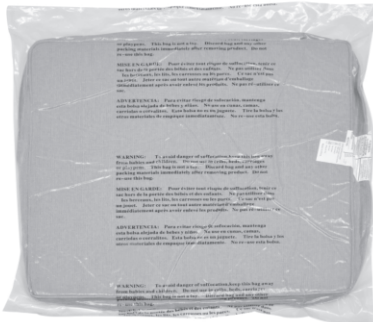


2 days



NOTE:

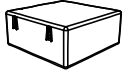
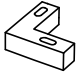



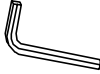
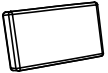

Vaccum compressed cushions,
Will return to normal shape after 2 days use.



2 days

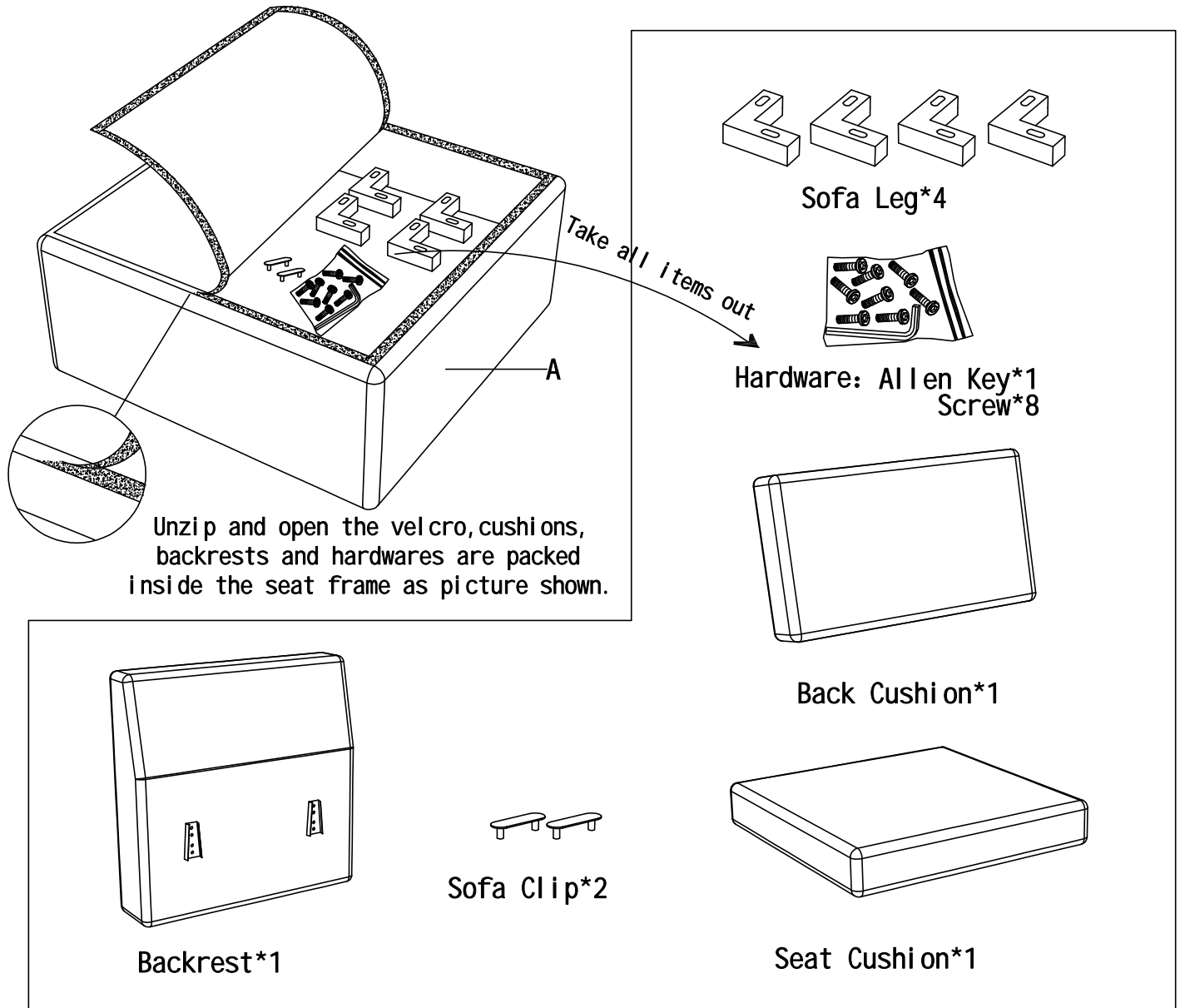


Parts List

Part Number	Picture	Description	QTY	Part Number	Picture	Description	QTY
A		Seat Frame	1	E		Sofa Leg	4
B		Backrest	1	F		Screw	8
C		Seat Cushion	1	G		Allen Key	1
D		Back Cushion	1	H		Sofa Clip	2

Note

STEP 1



Take all items out

Unzip and open the velcro, cushions, backrests and hardwares are packed inside the seat frame as picture shown.

Sofa Leg*4

Hardware: Allen Key*1
Screw*8

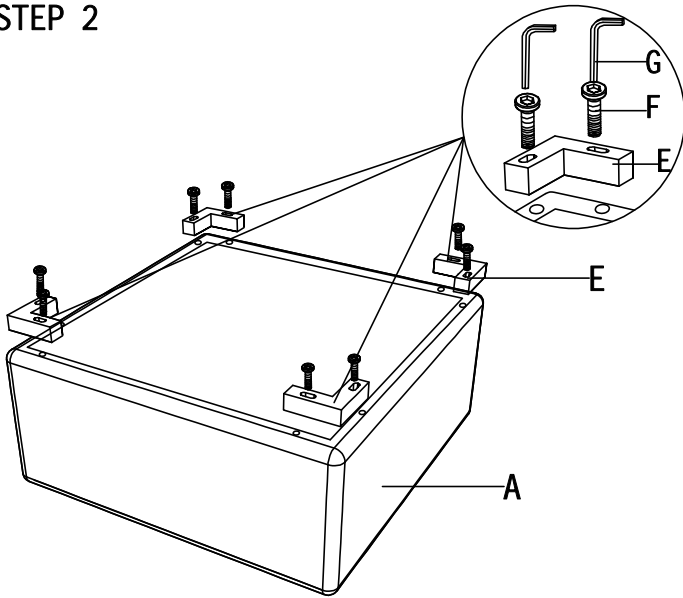
Back Cushion*1

Seat Cushion*1

Backrest*1

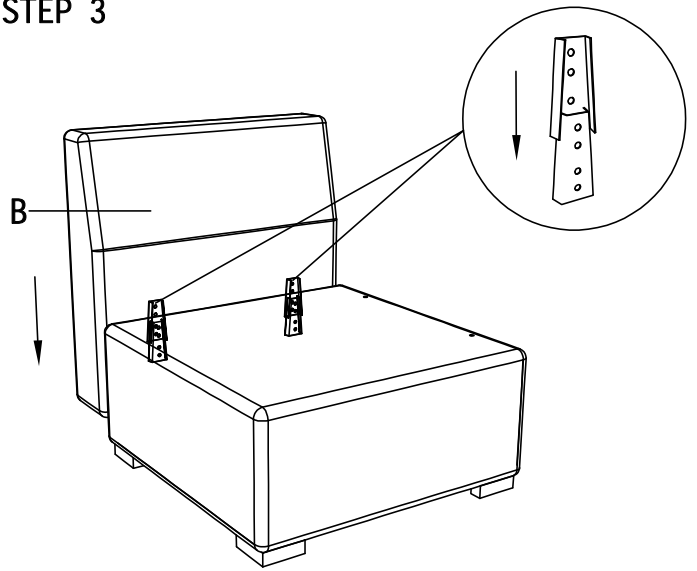
Sofa Clip*2

STEP 2



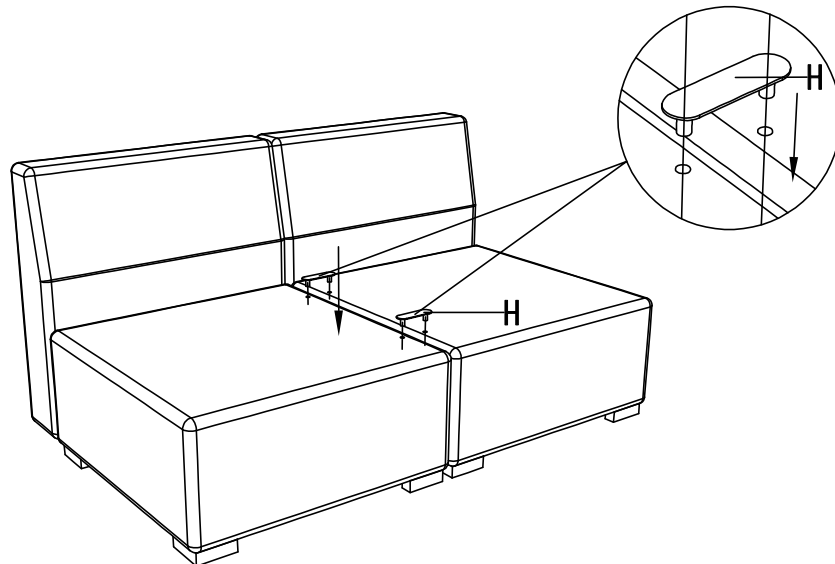
Install all the Sofa Legs

STEP 3



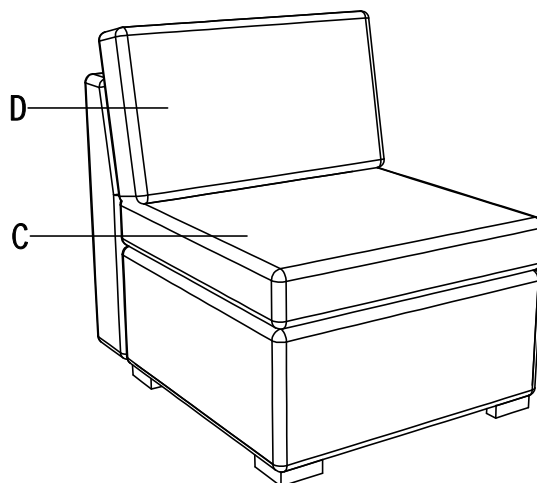
Install the Backrest

STEP 4





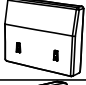
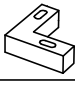
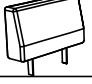





Use the sofa clips to secure the sections of the sofa together.

FINISH



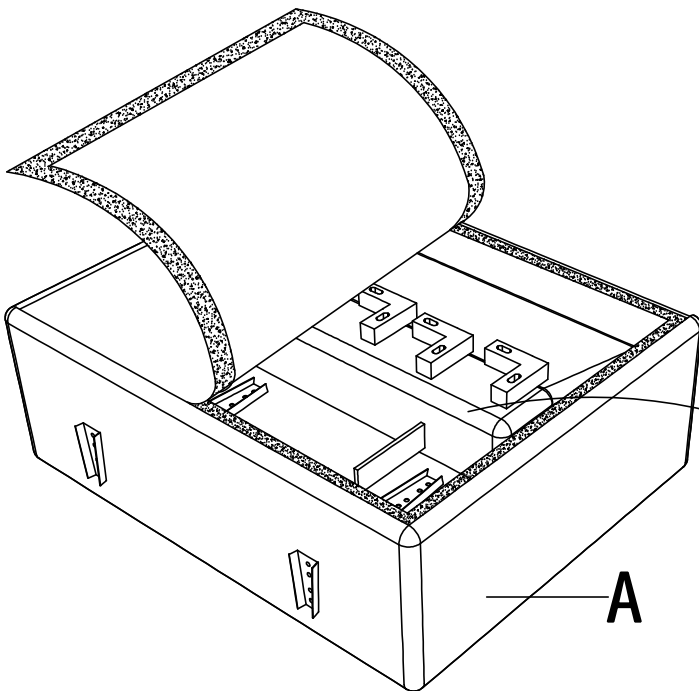
Put on Seat and Back Cushion

Parts List

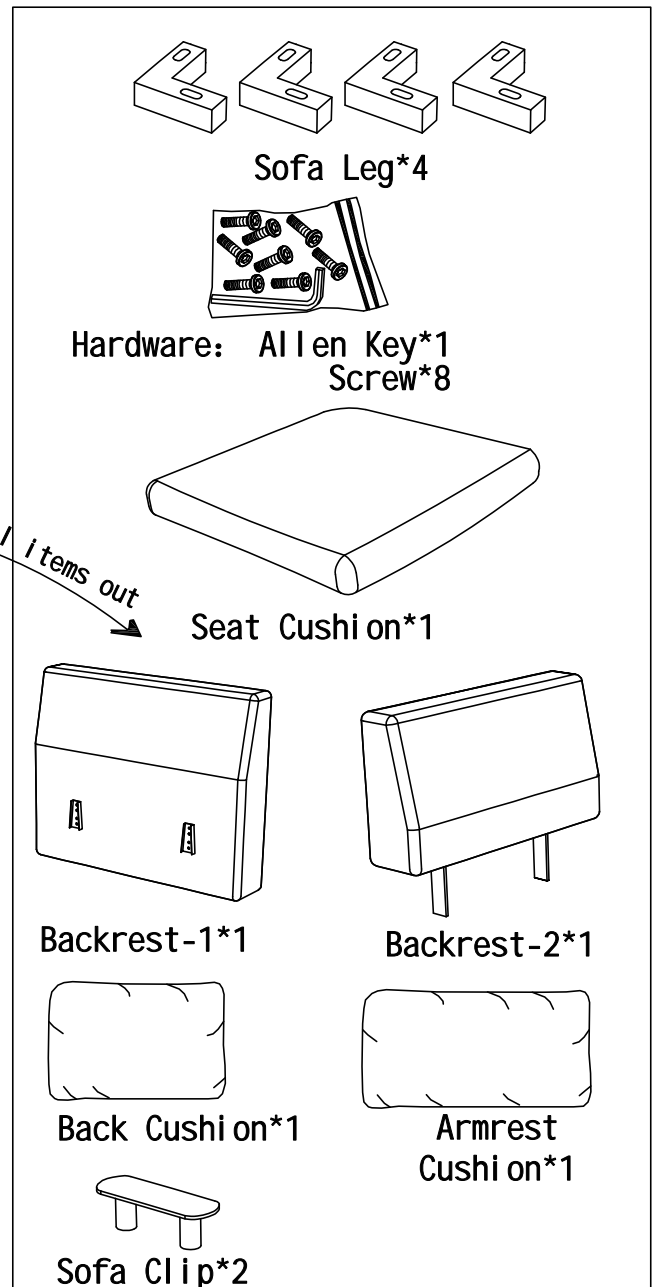
Part Number	Picture	Description	QTY	Part Number	Picture	Description	QTY
A		Seat Frame	1	F		Armrest Cushion	1
B		Backrest-1	1	G		Sofa Leg	4
C		Backrest-2	1	H		Screw	8
D		Seat Cushion	1	I		Allen Key	1
E		Back Cushion	1	J		Sofa Clip	2

Note

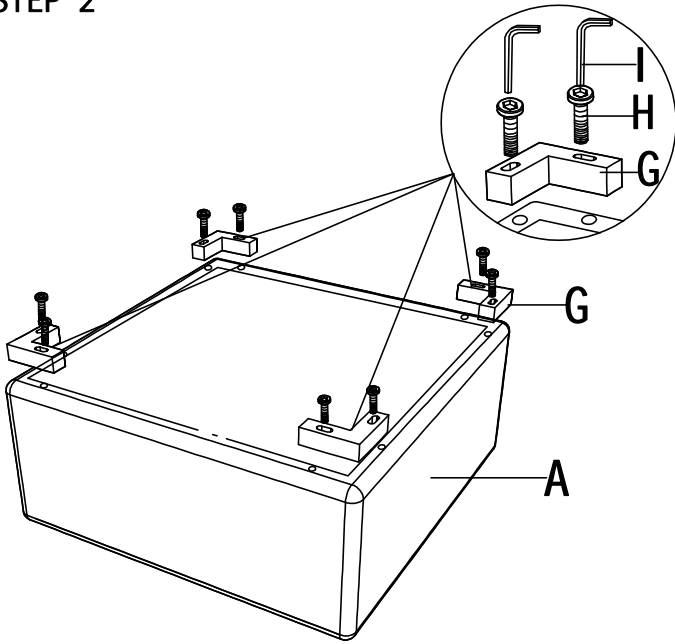
STEP 1



Unzip and open the velcro, cushions, backrests and hardware are packed inside the seat frame as picture shown.

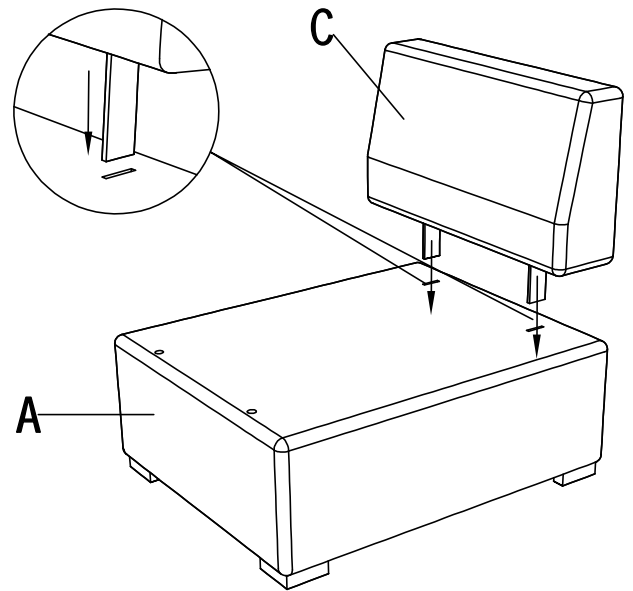


STEP 2



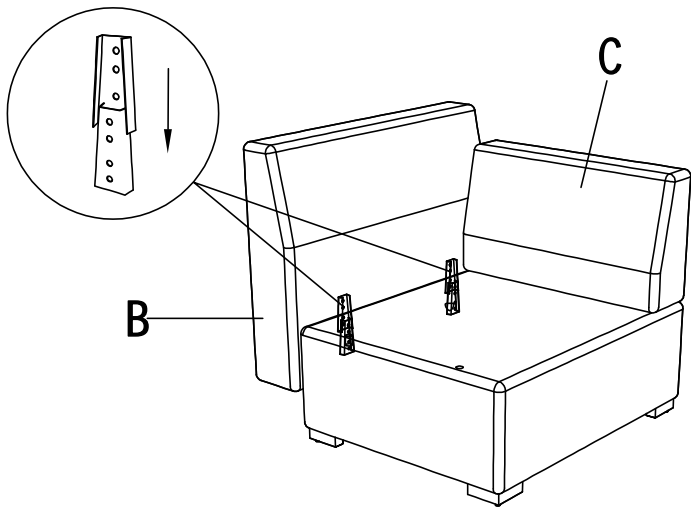
Install all the Sofa Legs

STEP 3



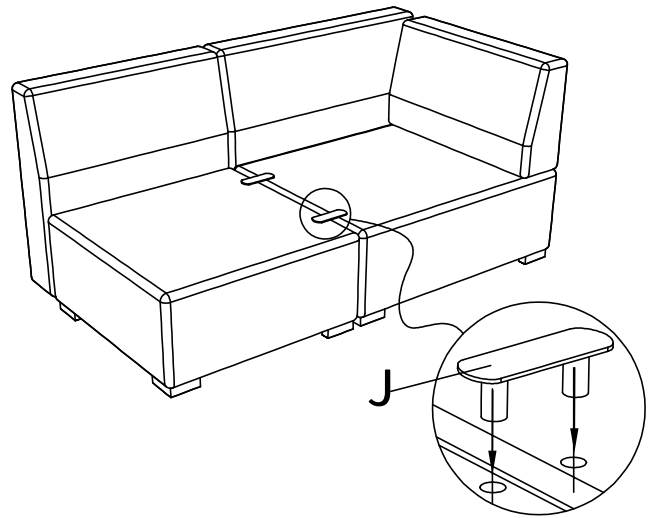
Install the Backrest-2

STEP 4



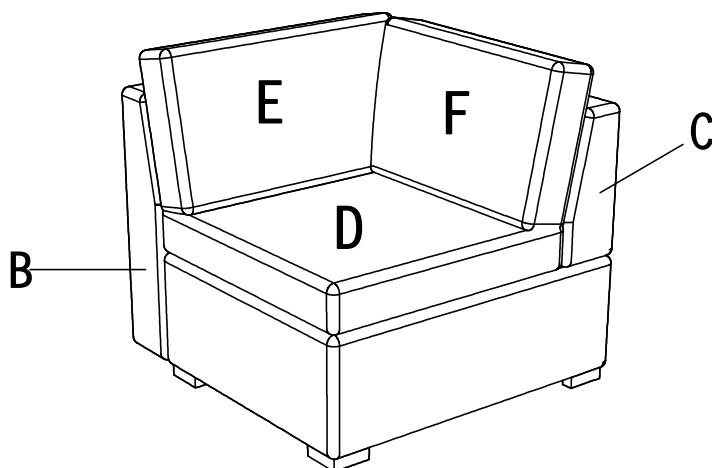
Instal the Backrest-1

STEP 5



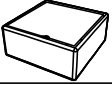


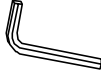
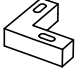
Use the sofa clips to secure the sections of the sofa together.

FINISH



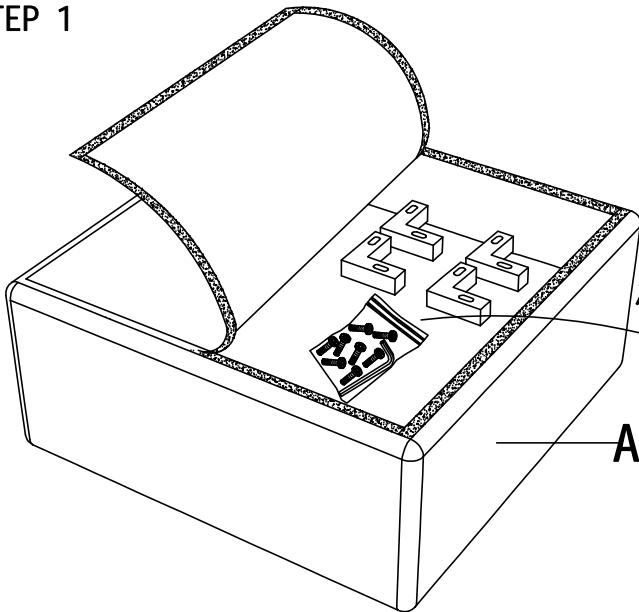
Put on Seat and Back Cushion

Parts List

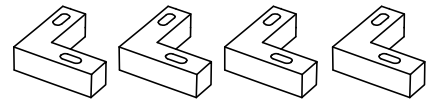
Part Number	Picture	Description	QTY	Part Number	Picture	Description	QTY
A		Seat Frame	1	D		Screw	8
B		Seat Cushion	1	E		Allen Key	1
C		Sofa Leg	4				

Note

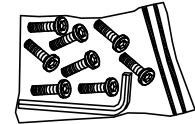
STEP 1



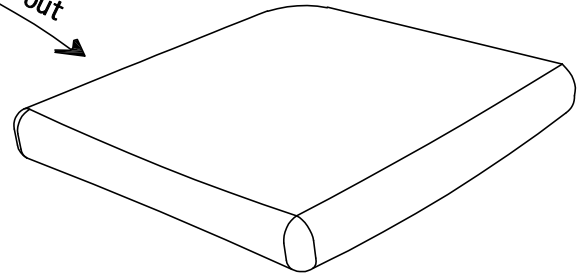
Unzip and open the velcro, cushions, backrests and hardware are packed inside the seat frame as picture shown.



Sofa Leg*4

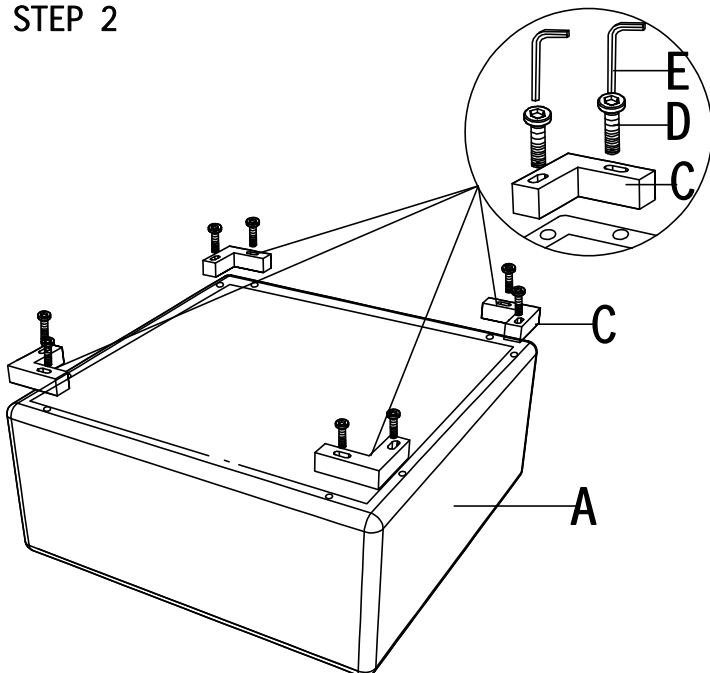


Hardware: Allen Key*1
Screw*8



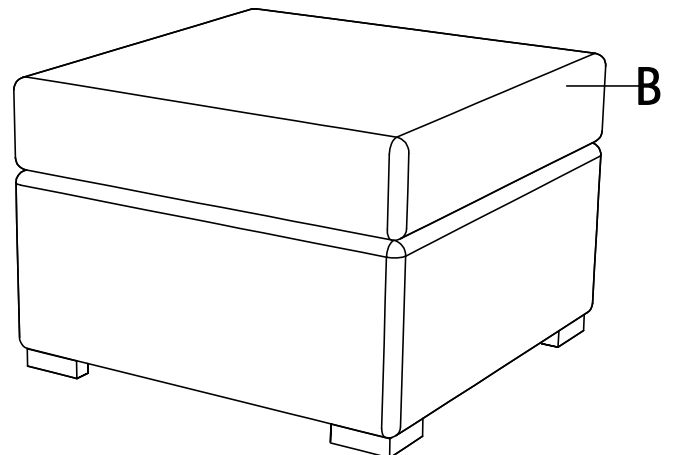
Seat Cushion*1

STEP 2



Install all the Sofa Legs

STEP 3



Put on the Seat Cushion