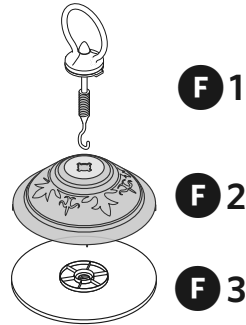


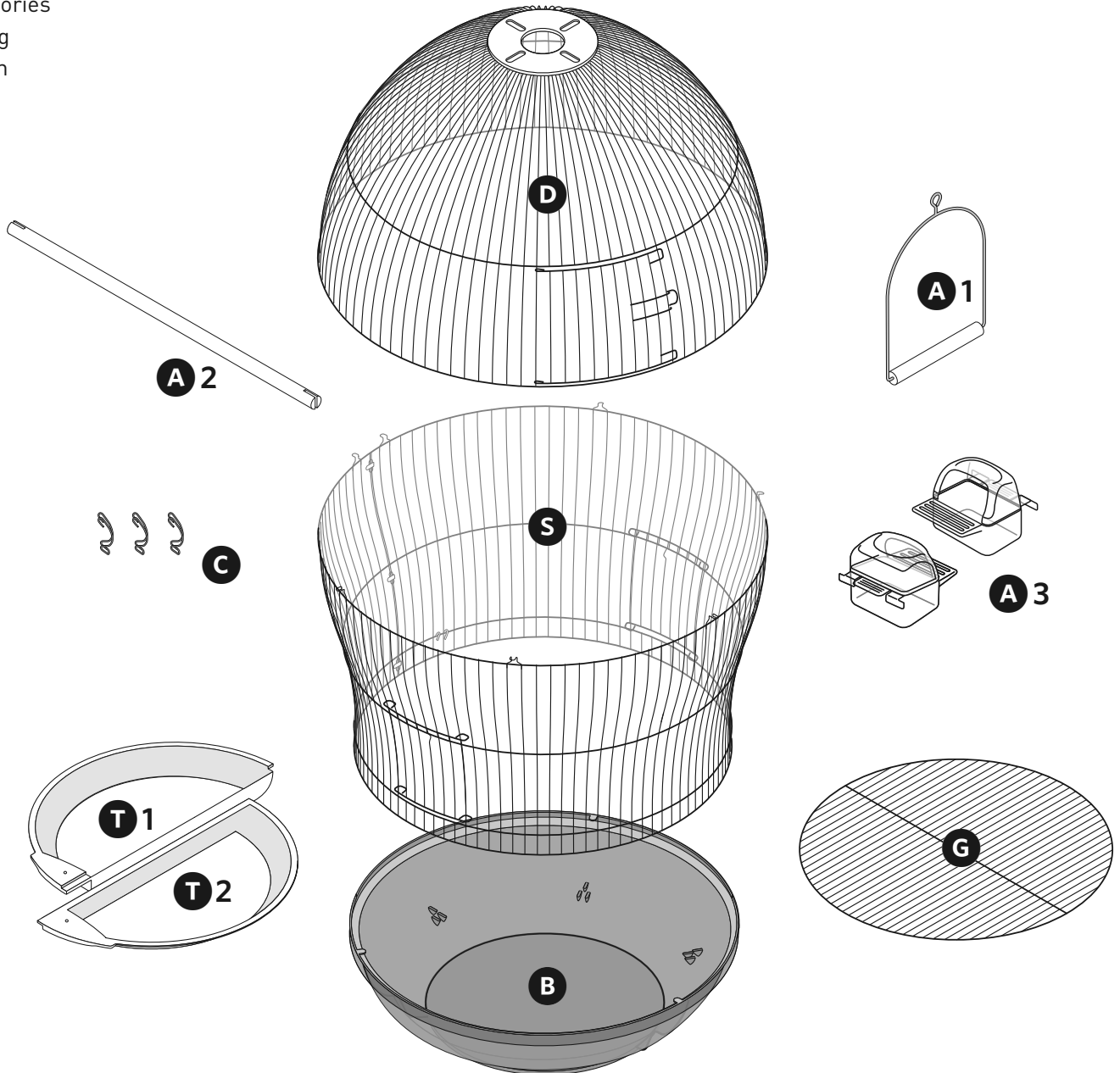
**KEY:**

- F = Finial
  - 1. Stem
  - 2. Cap
  - 3. Disk
- D = Dome
- S = Skirt
- B = Base



**A = Accessories**

- 1. Swing
  - 2. Perch
  - 3. Cups
- C = Clips  
T = Trays  
G = Grille

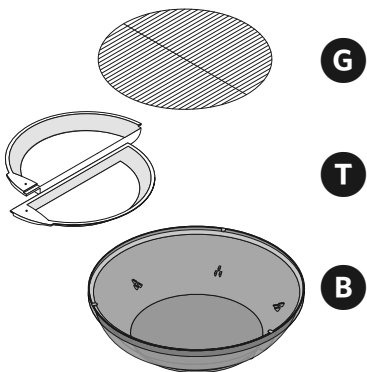
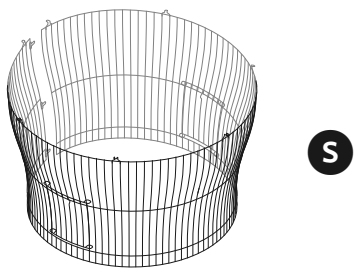
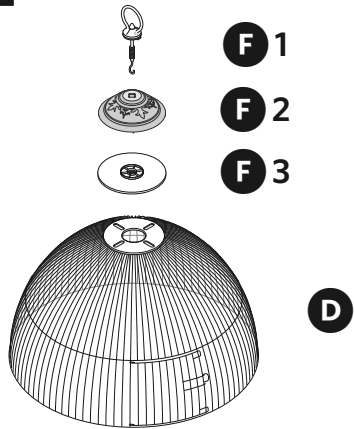


TOOLS : No tools are needed • For best results, follow Assembly Steps in order presented.

**KEY:**

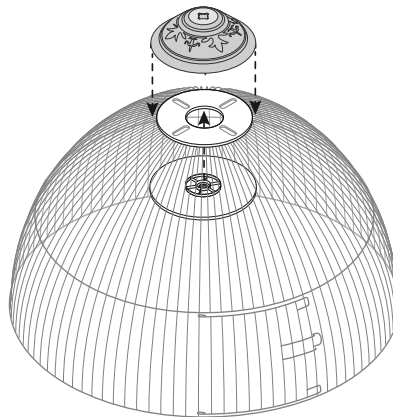
- F = Finial parts      A = Accessories
- D = Dome              C = Clips
- S = Skirt              T = Trays
- B = Base              G = Grille

**1** PIECES

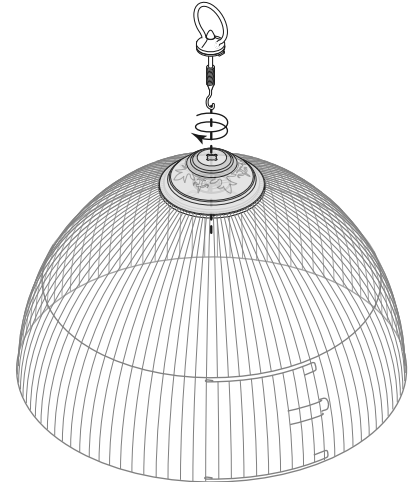


**Pre-assemble the Dome**

Hold the **disk (F3)** in place on the underside of the **dome centerpiece**. Place the **cap (F2)** over the centerpiece.

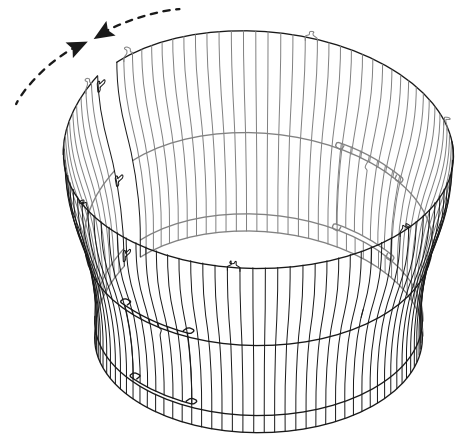
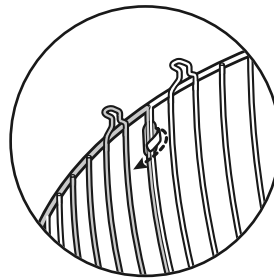


Holding the disk in position, screw the **finial stem (F1)** into the disk through the cap and dome, until all are held together securely.



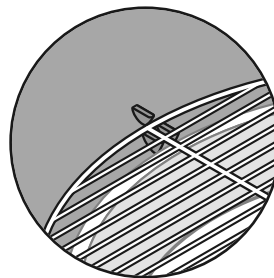
**Pre-assemble the Skirt**

Bring the seam of the **skirt** together and fold the metal tabs across and over the seam wires to close the skirt.

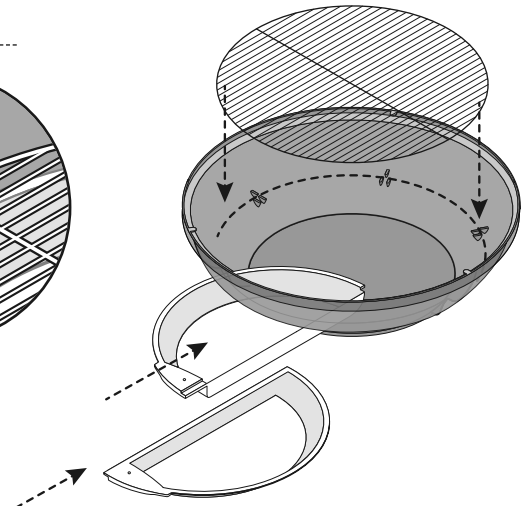


**Pre-assemble the Base**

Place the **grille** on the double tabs and under the single tab.



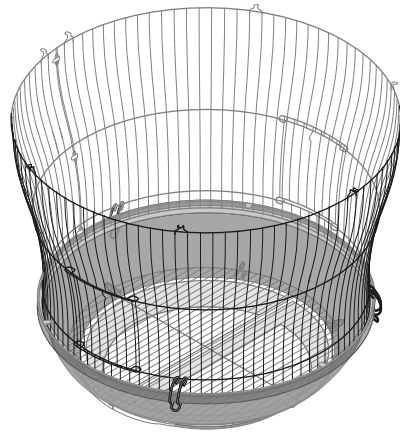
Put the **half-tray** in, tuck it into place, then add the other **half-tray**.



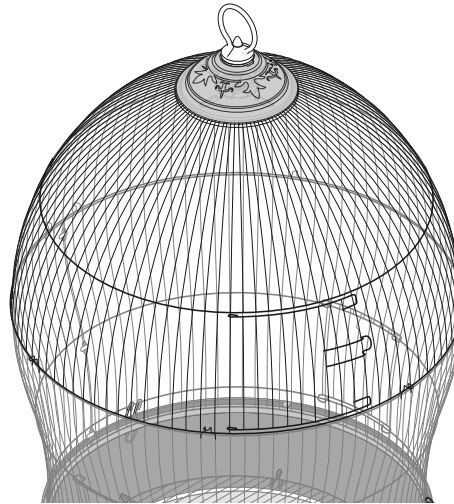
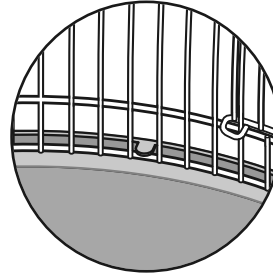
# 2 PIECES



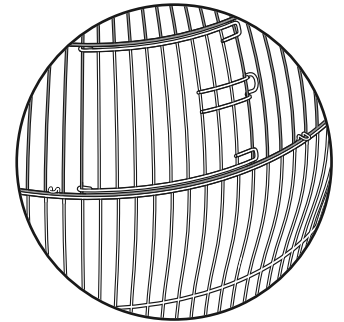
**C**



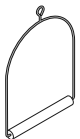
Place the assembled skirt into the base, catching the bottom wire under the tabs along the rim of the base. Attach the skirt to the base with the wire clips.



Add the dometop, taking care not to let the wire tabs interfere with the opening and closing of the front door.

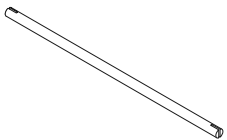
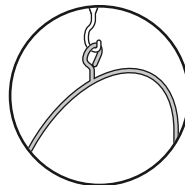


# 3 PIECES



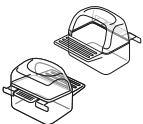
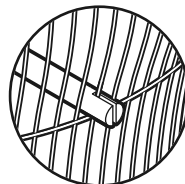
**A 1**

Hook the swing onto the hooked end of the central finial stem.



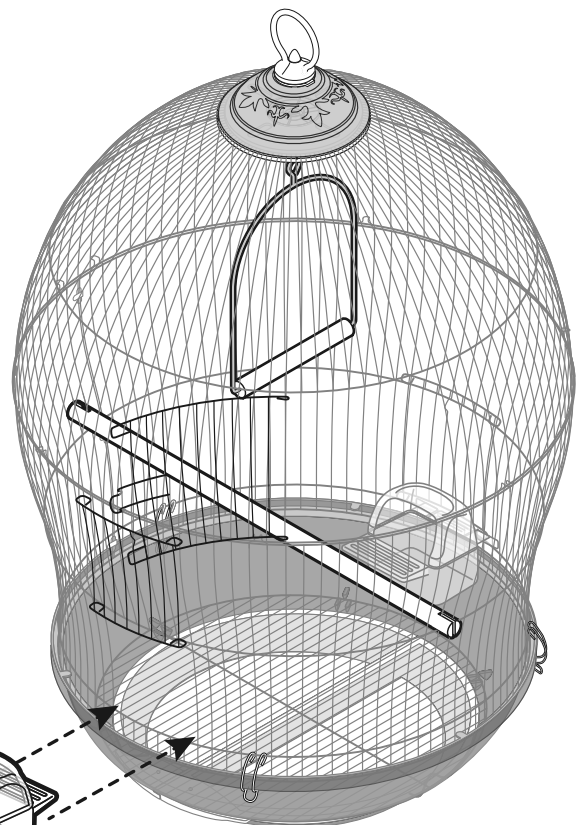
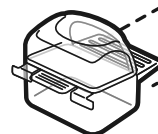
**A 2**

Insert the perch a little off-center, so the perch extends past the wires.



**A 3**

Open the cup doors and insert the cups.



Assembly completed. ■