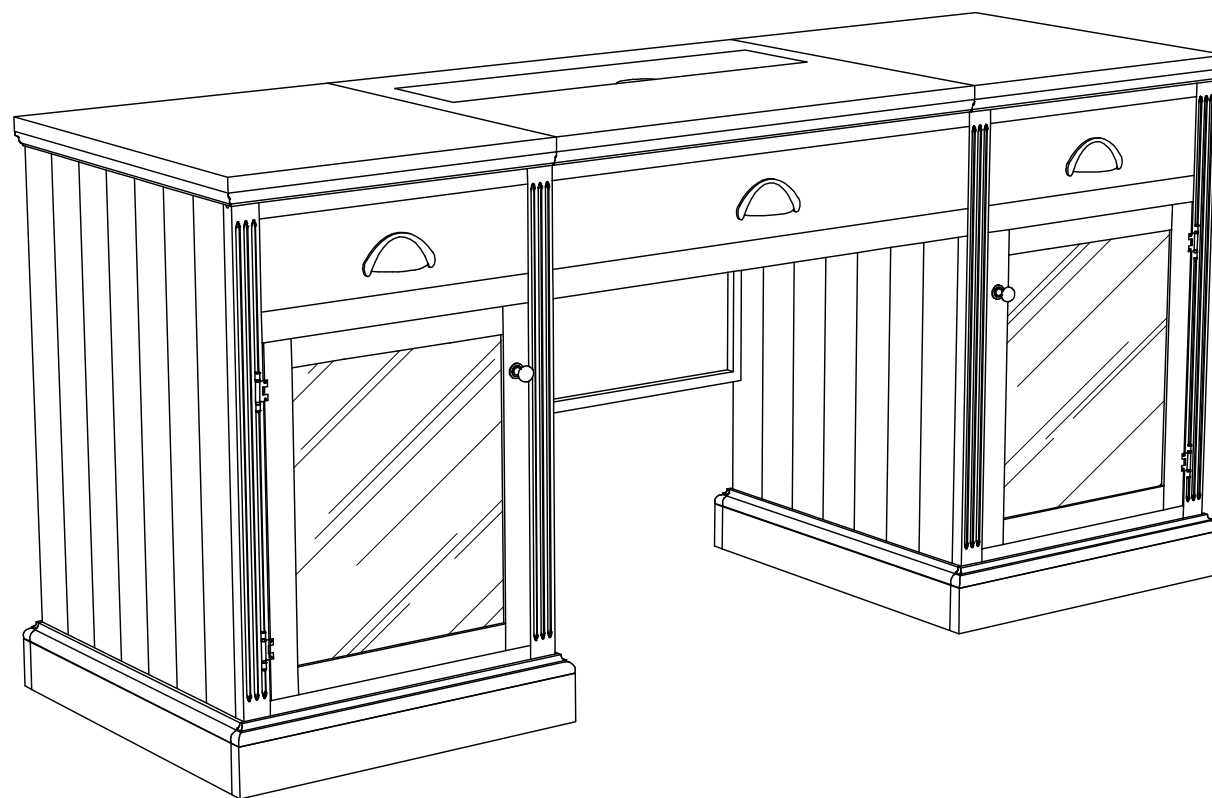


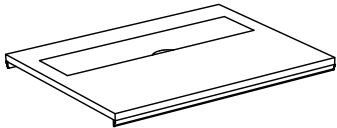
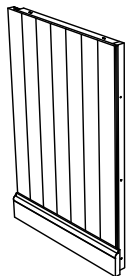
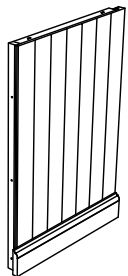
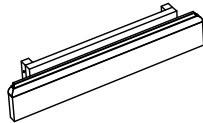
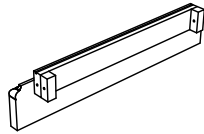
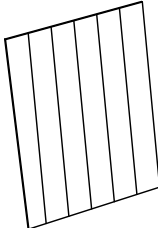
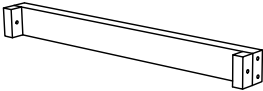
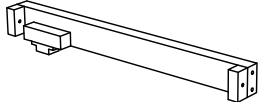
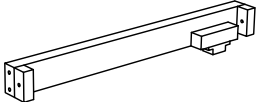
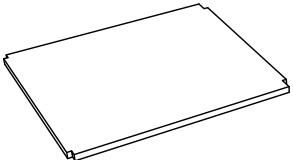
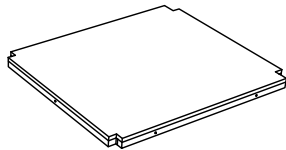
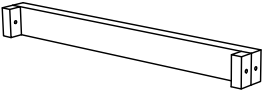
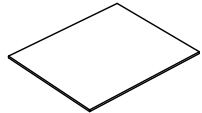
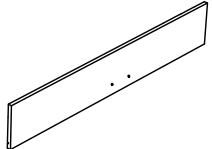
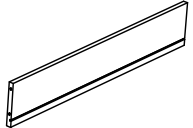
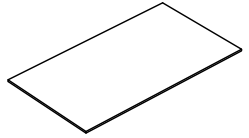
# ASSEMBLY INSTRUCTION

N751P415498

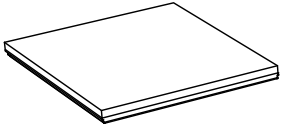
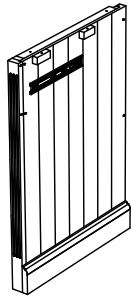
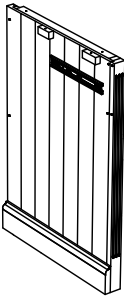
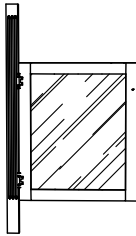
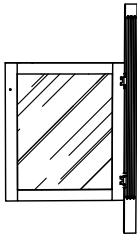
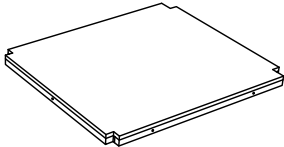
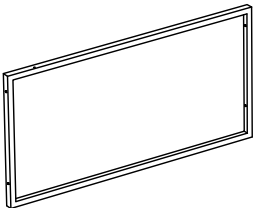
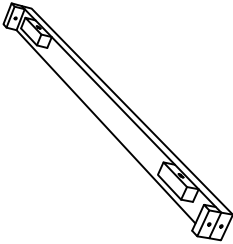
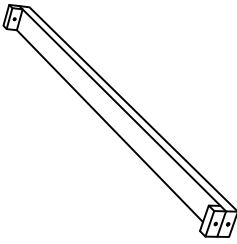
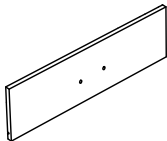
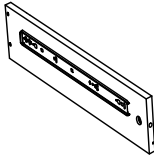
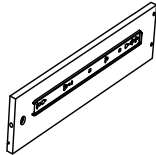
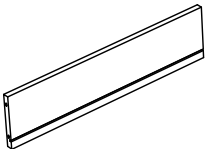
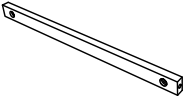
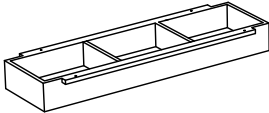
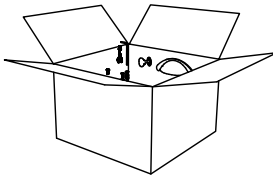
N751P415499



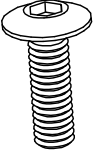
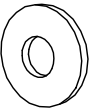





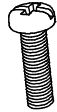
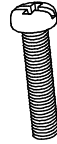


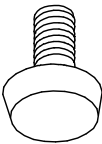
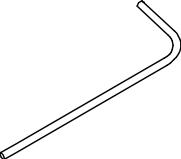
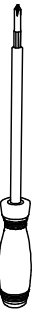
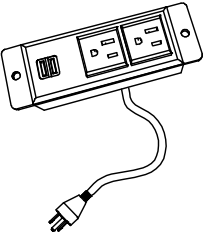
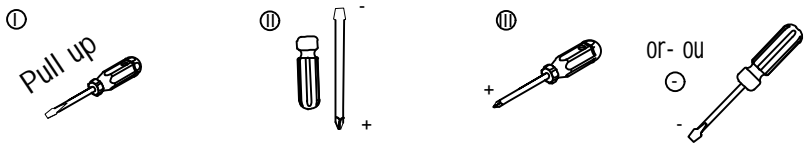
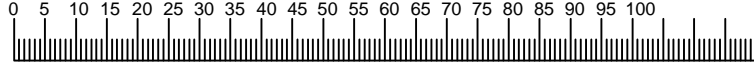
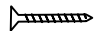
# PARTS LIST - N751P415498

<p><b>2</b></p>  <p style="text-align: center;">Center table top 1 pc</p>	<p><b>3</b></p>  <p style="text-align: center;">Left outer hip cluster 1 pc</p>	<p><b>6</b></p>  <p style="text-align: center;">Right outer hip cluster 1 pc</p>	<p><b>9</b></p>  <p style="text-align: center;">Front lower crossbar 2 pcs</p>	<p><b>10</b></p>  <p style="text-align: center;">Bottom bar behind 2 pcs</p>	<p><b>11</b></p>  <p style="text-align: center;">Back plate 2 pcs</p>
<p><b>12</b></p>  <p style="text-align: center;">Front upper bar 2 pcs</p>	<p><b>13</b></p>  <p style="text-align: center;">Front middle bar left 1 pc</p>	<p><b>14</b></p>  <p style="text-align: center;">Front middle bar right 1 pc</p>	<p><b>15</b></p>  <p style="text-align: center;">Middle plate 2 pcs</p>	<p><b>16</b></p>  <p style="text-align: center;">Bottom plate 1 pc</p>	<p><b>17</b></p>  <p style="text-align: center;">Rear top bar 2 pcs</p>
<p><b>25</b></p>  <p style="text-align: center;">Drawer bottom plate 2 pcs</p>	<p><b>26</b></p>  <p style="text-align: center;">Middle drawer face 1 pc</p>	<p><b>27</b></p>  <p style="text-align: center;">Middle drawer back 1 pc</p>	<p><b>29</b></p>  <p style="text-align: center;">Middle drawer bottom plate 1 pc</p>		

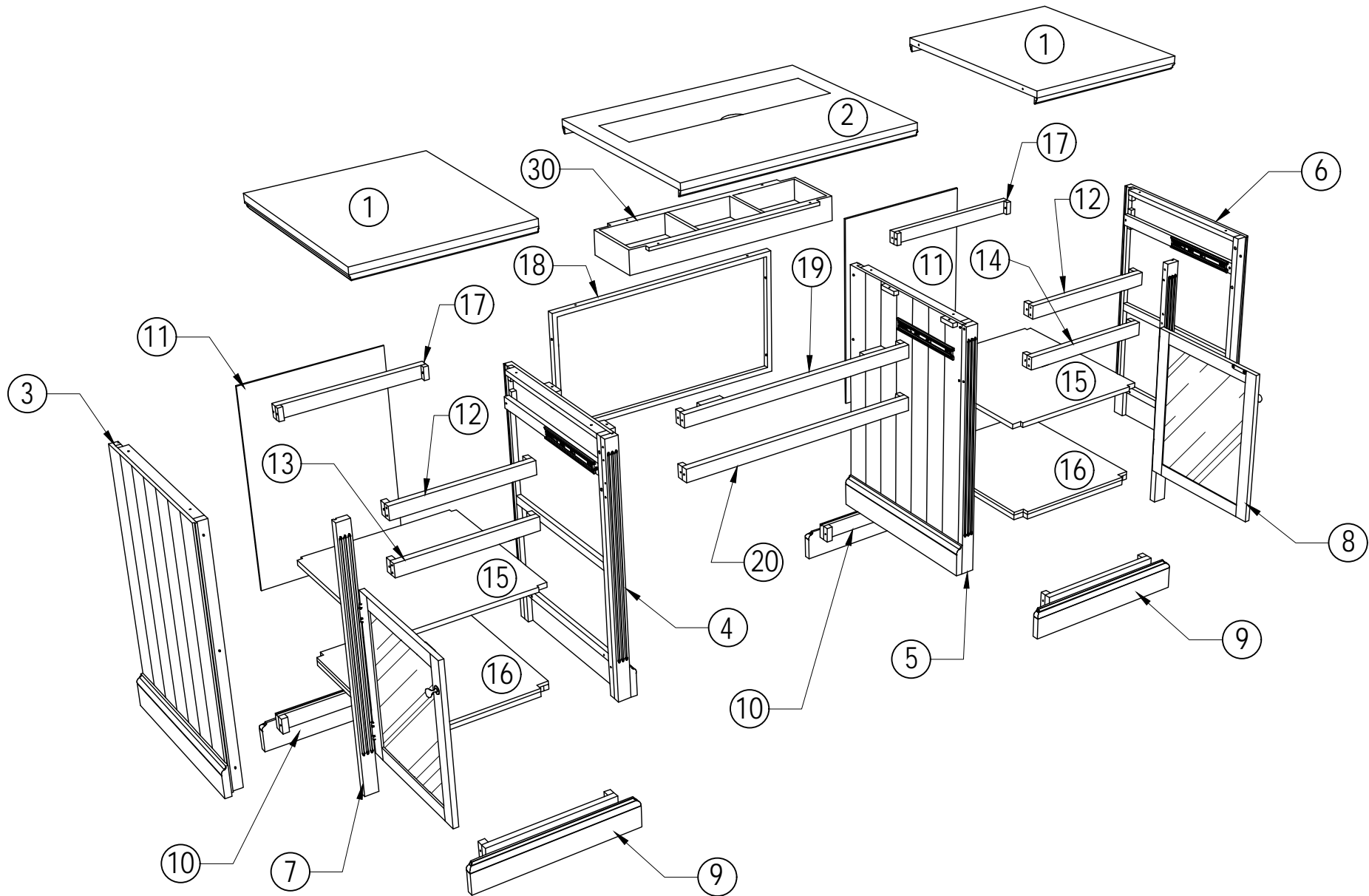
# PARTS LIST - N751P415499

<p><b>1</b></p>  <p>Left and right table top 2 pcs</p>	<p><b>4</b></p>  <p>Left inner hip cluster 1 pc</p>	<p><b>5</b></p>  <p>Right inner hip cluster 1 pc</p>	<p><b>7</b></p>  <p>Left door cluster 1 pc</p>	<p><b>8</b></p>  <p>Right door cluster 1 pc</p>	<p><b>16</b></p>  <p>Bottom plate 1 pc</p>	
<p><b>18</b></p>  <p>Middle posterior cluster 1 pc</p>	<p><b>19</b></p>  <p>Front middle upper strut 1 pc</p>	<p><b>20</b></p>  <p>Front lower center strut 1 pc</p>	<p><b>21</b></p>  <p>Drawer face 2 pcs</p>	<p><b>22</b></p>  <p>Left side drawer panel 3 pcs</p>	<p><b>23</b></p>  <p>Right side drawer panel 3 pcs</p>	
<p><b>24</b></p>  <p>Drawer back 2 pcs</p>	<p><b>28</b></p>  <p>Drawer bottom support 1 pc</p>	<p><b>30</b></p>  <p>Socket mounting box 1 pc</p>	 <p><b>HARDWARE</b></p>			

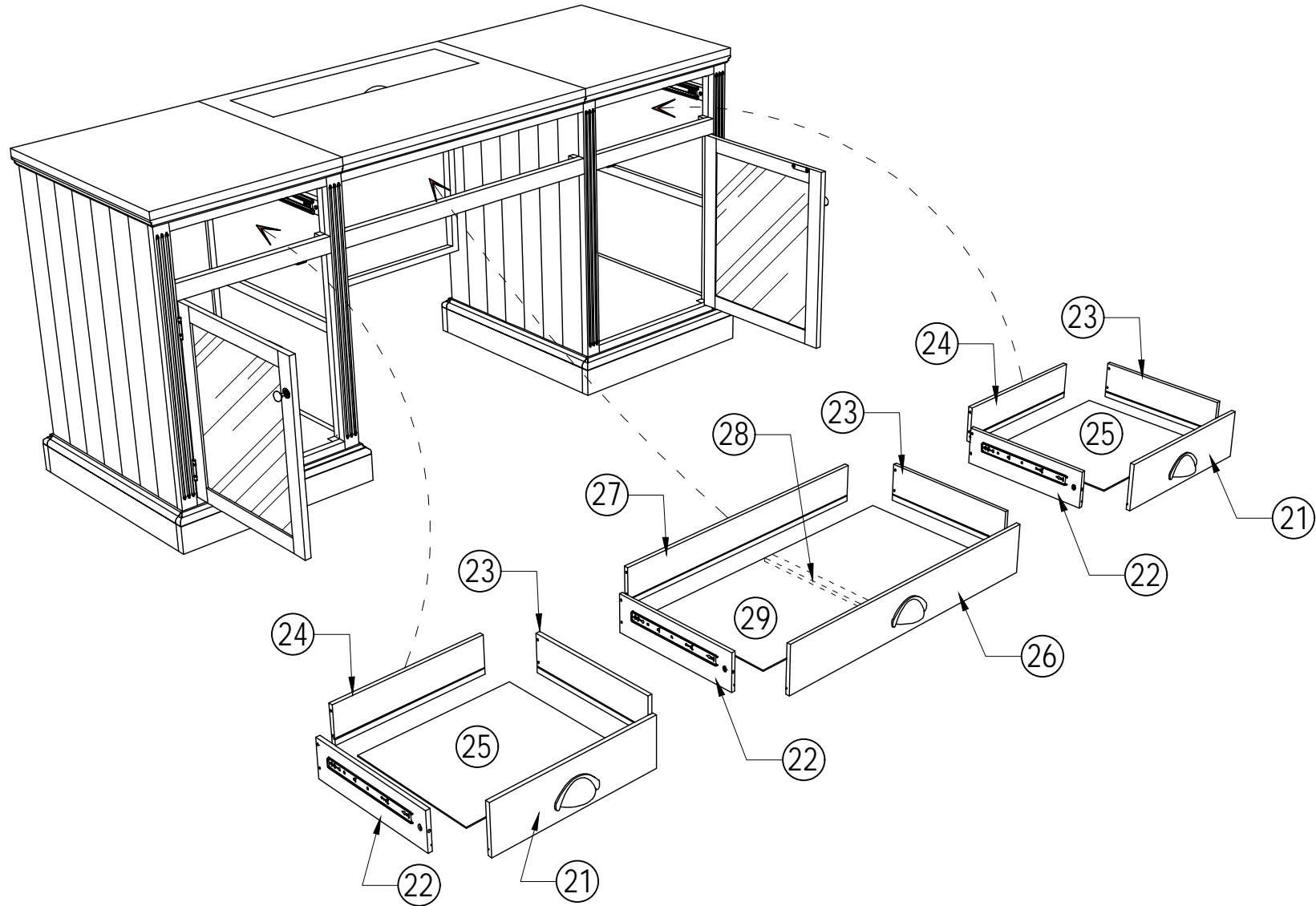
# HARDWARE LIST

<p><b>A</b></p>  <p>6x30mm Bolt (64 pcs)</p>	<p><b>B</b></p>  <p>6x16mm Washer (56 pcs)</p>	<p><b>C</b></p>  <p>8x30mm Dowel (36 pcs)</p>	<p><b>D</b></p>  <p>4x25mm Screw (20 pcs)</p>	<p><b>E</b></p>  <p>3x10mm Screw (2 pcs)</p>	<p><b>F</b></p>  <p>Cam lock pin (8 pcs)</p>	<p><b>G</b></p>  <p>Cam lock (8 pcs)</p>
<p><b>H</b></p>  <p>4x15mm Bolt (6 pcs)</p>	<p><b>I</b></p>  <p>4x25mm Bolt (2 pcs)</p>	<p><b>J</b></p>  <p>Handle (2 pcs)</p>	<p><b>K</b></p>  <p>Clam shell handle (3 pcs)</p>	<p><b>L</b></p>  <p>Height adjuster (8 pcs)</p>	<p><b>M</b></p>  <p>Allen key (1 pc)</p>	<p><b>N</b></p>  <p>Screwdrivers (1 pc)</p>
<p><b>O</b></p>  <p>Power outlet (1pc)</p>	<p><b>Tool required</b></p>  <p>Pull up</p> <p>Screwdrivers can be converted to philips and Slotted</p> <p>Ruler - Use this ruler to help correctly identify the screws</p>  <p>The crews length is measured from the head to th point (35mm screw shown)</p> 					

# COMPONENTS - KEY DIAGRAM

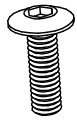


# COMPONENTS - KEY DIAGRAM



# STEP 1

A



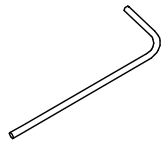
6x30mm  
3 pcs

B

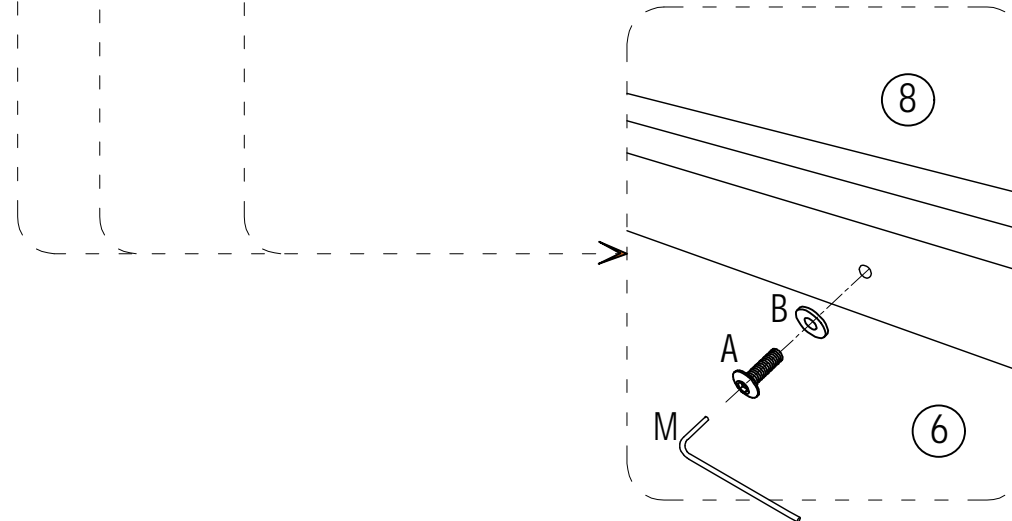
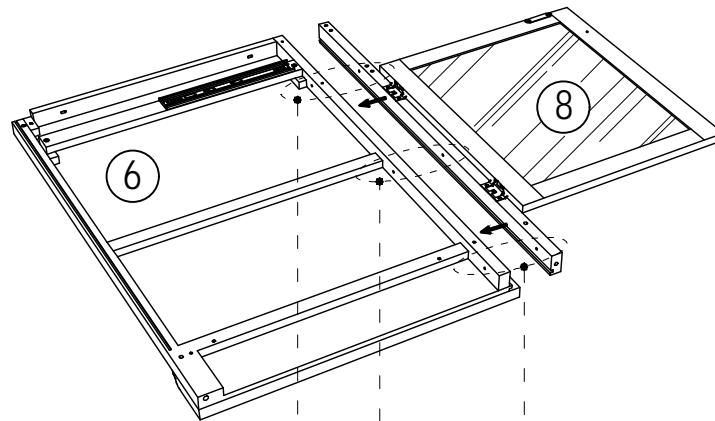


6x16mm  
3 pcs

M

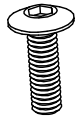


1 pc



# STEP 2

(A)



6x30mm  
3 pcs

(B)



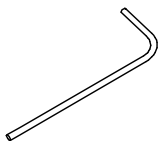
6x16mm  
2 pcs

(C)

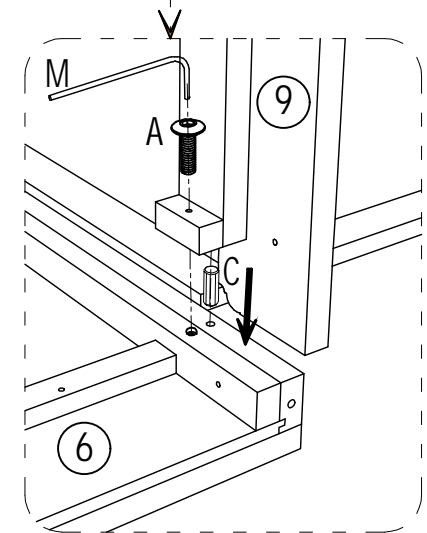
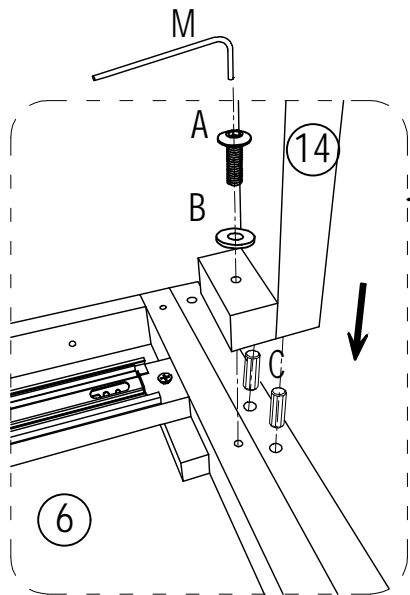
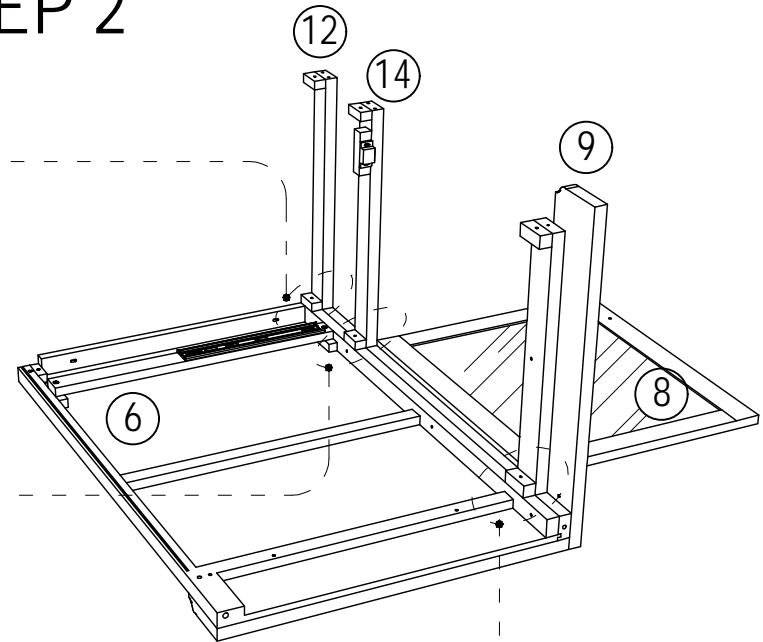
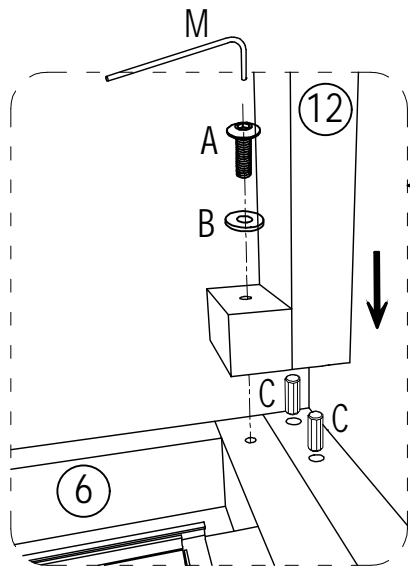


8x30mm  
5 pcs

(M)

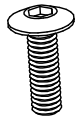


1 pc



# STEP 3

(A)



6x30mm  
2 pcs

(B)



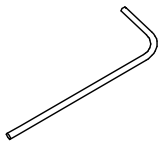
6x16mm  
1 pc

(C)

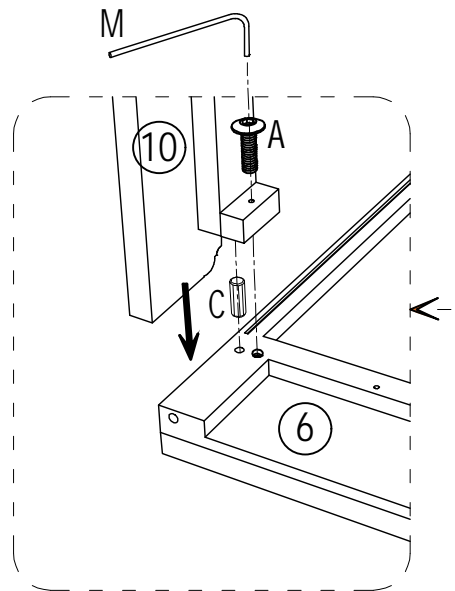
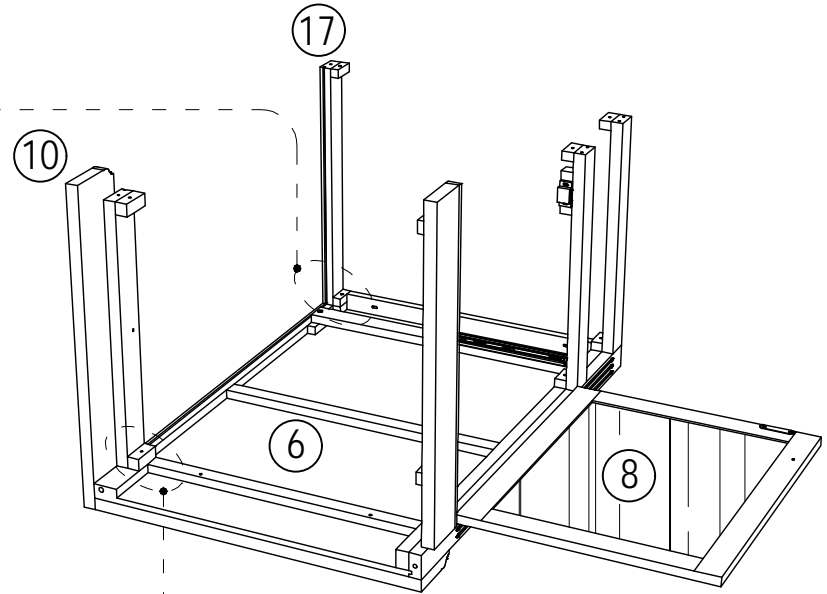
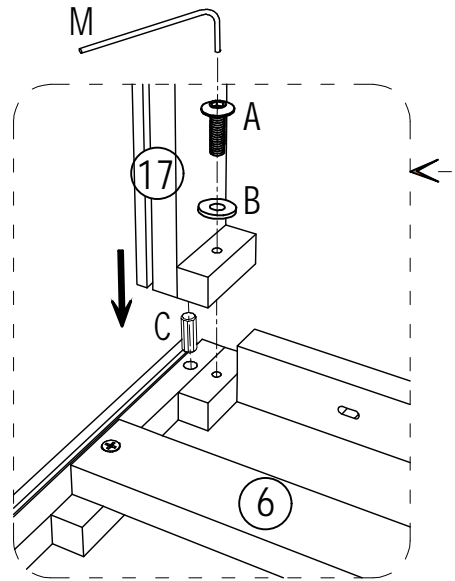


8x30mm  
2 pcs

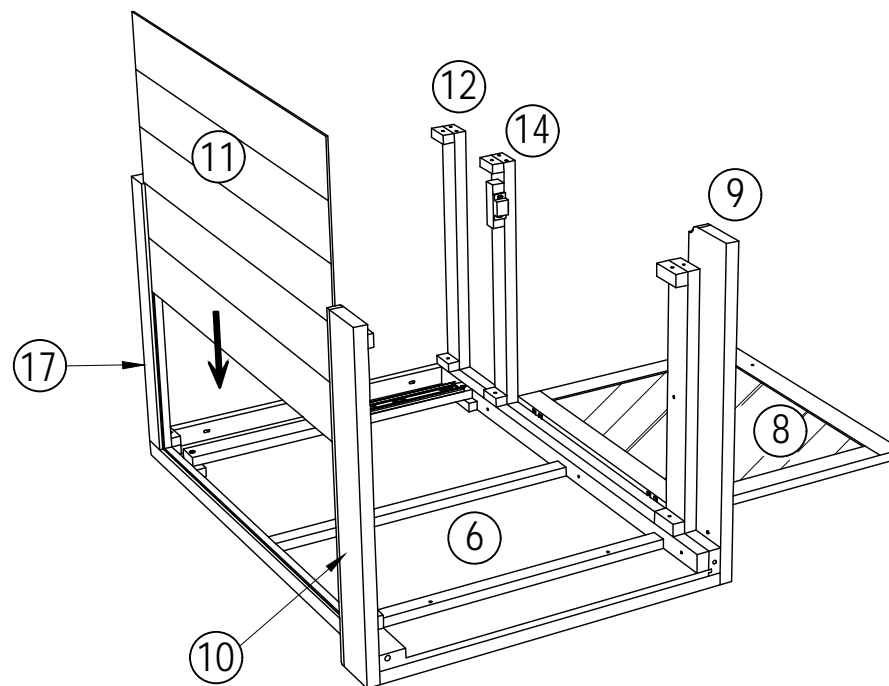
(M)



1 pc

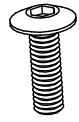


# STEP 4



# STEP 5

(A)



6x30mm  
2 pcs

(B)



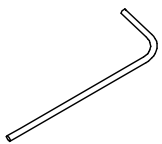
6x16mm  
1 pc

(C)

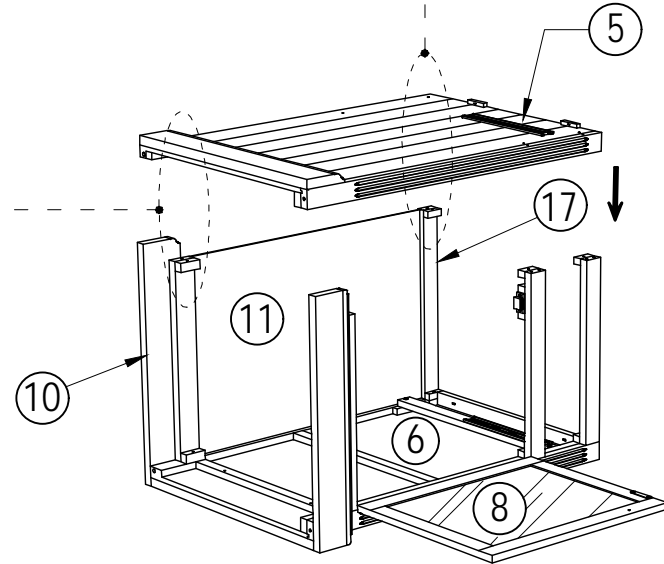
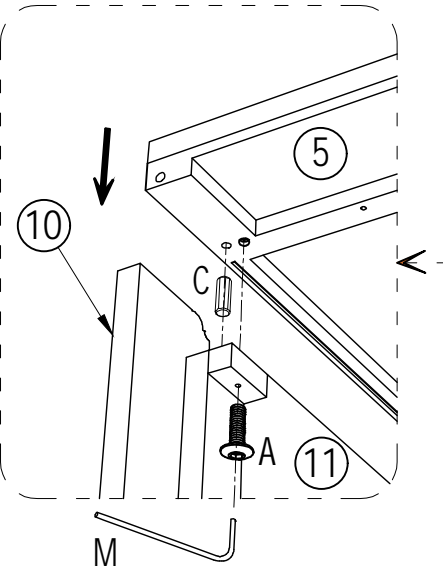
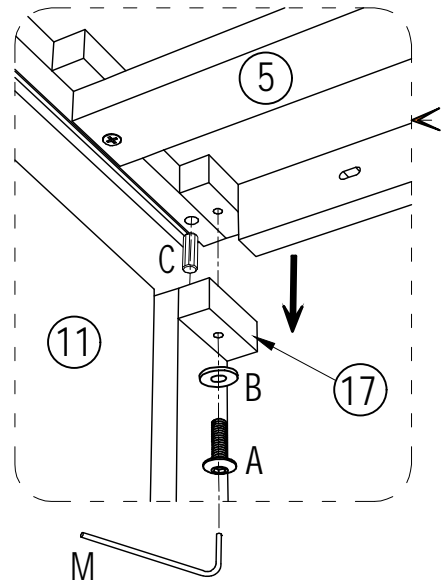


8x30mm  
2 pcs

(M)

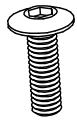


1 pc



# STEP 6

(A)



6x30mm  
3 pcs

(B)



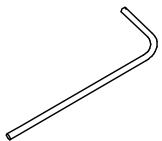
6x16mm  
2 pcs

(C)

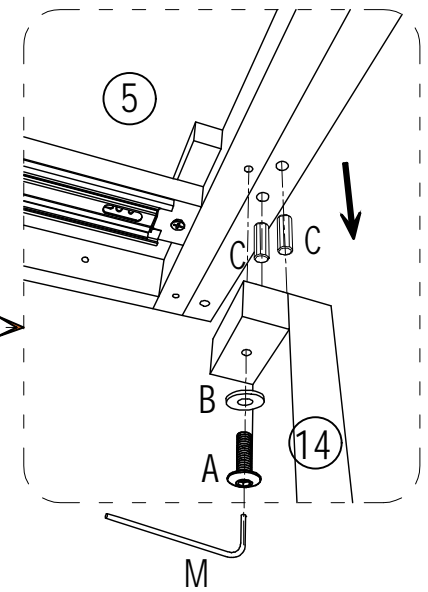
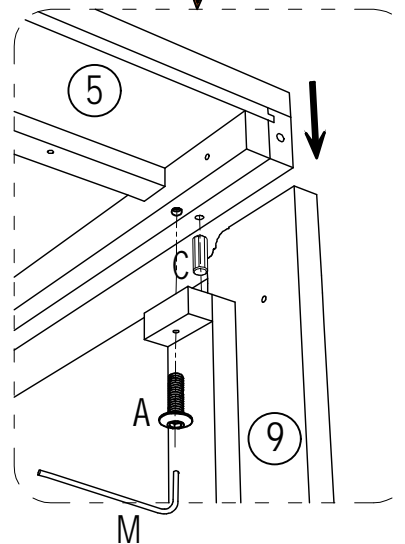
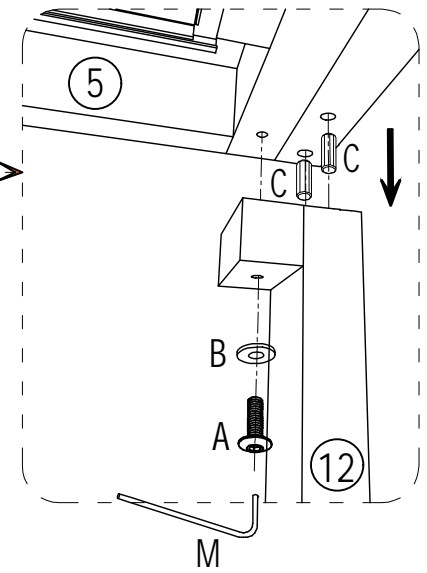
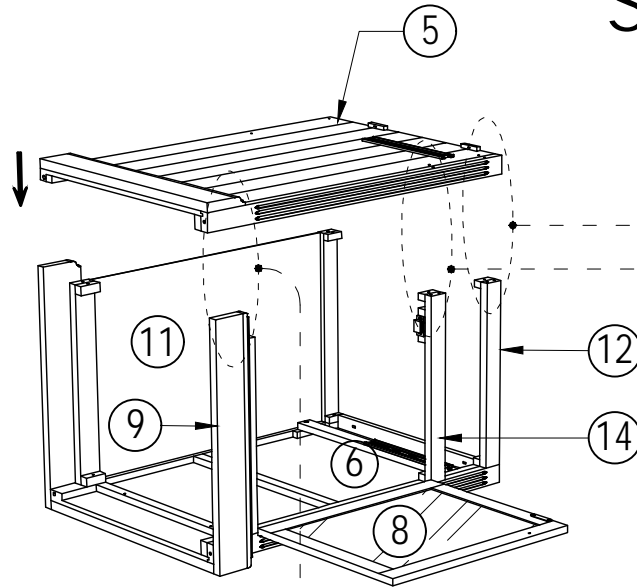


8x30mm  
5 pcs

(M)

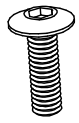


1 pc



# STEP 7

(A)



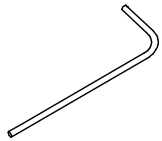
6x30mm  
5 pcs

(B)

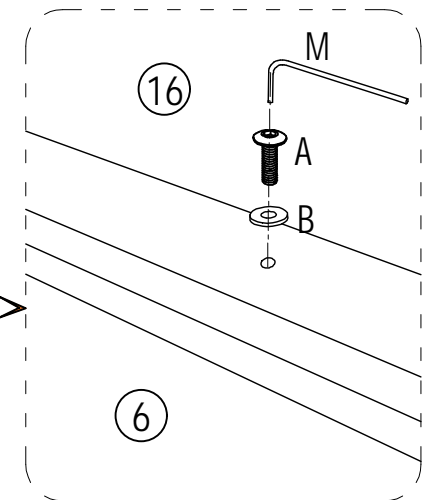
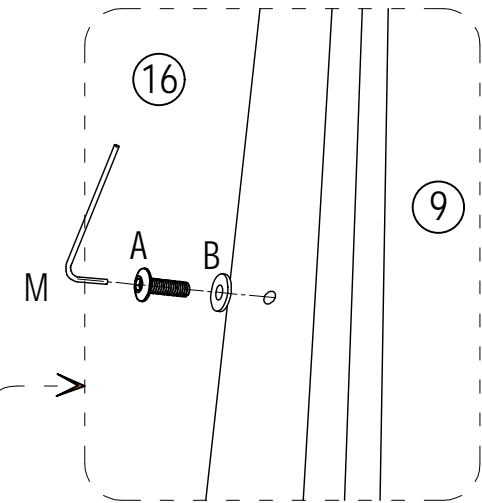
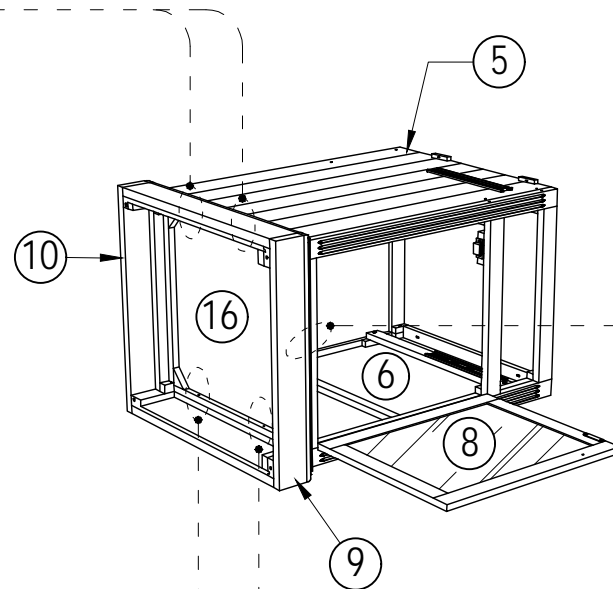
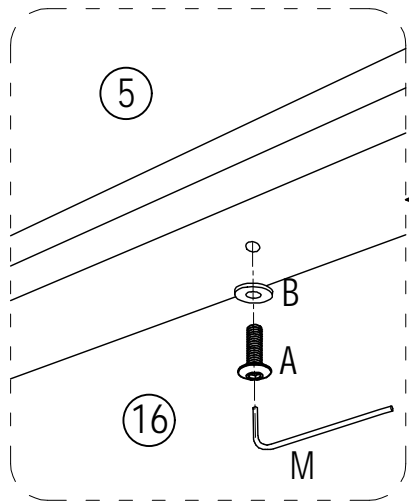


6x16mm  
5 pcs

(M)



1 pc

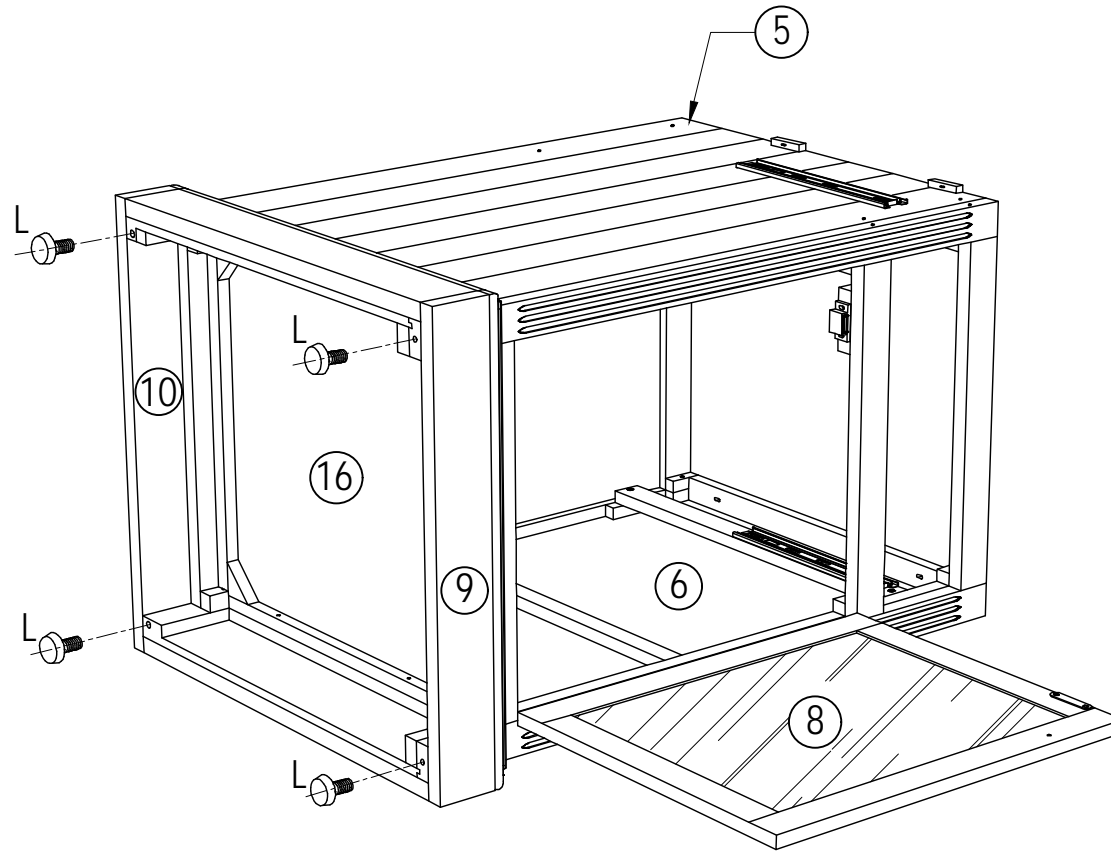


# STEP 8

L



4 pcs



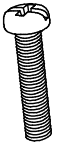
# STEP 9

(D)



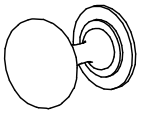
4x25mm  
4 pcs

(I)



4x25mm  
1 pc

(J)

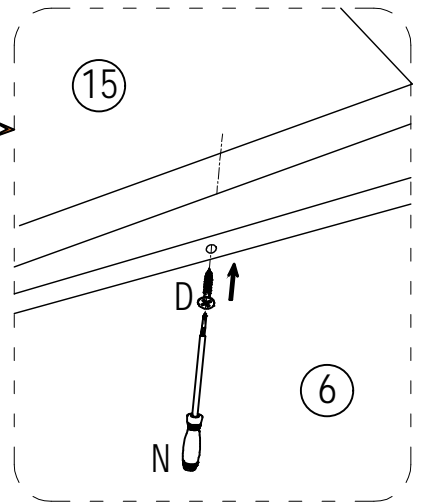
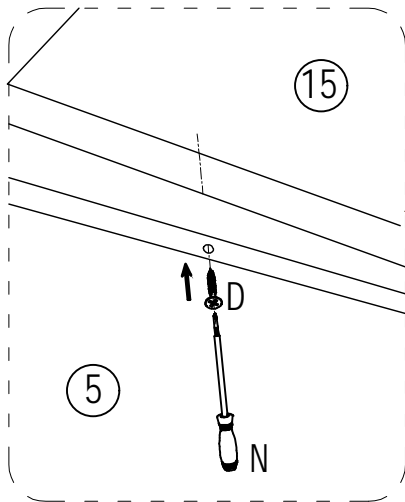
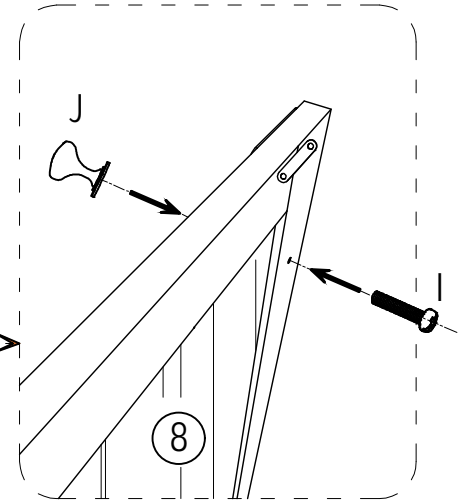
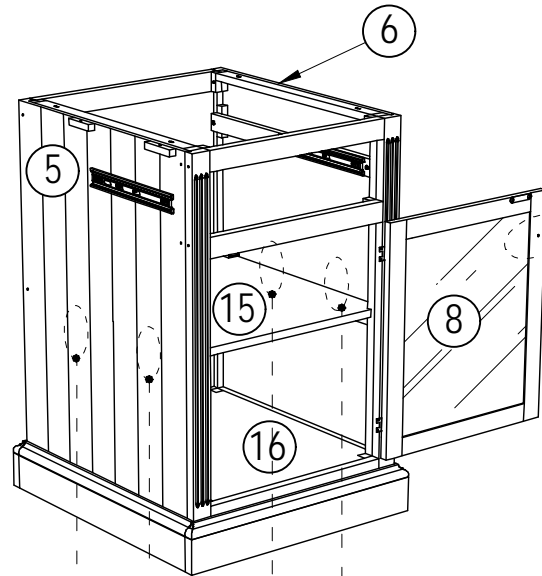


1 pc

(N)

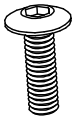


1 pc



# STEP 10

A



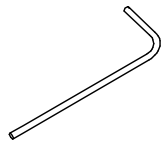
6x30mm  
3 pcs

B

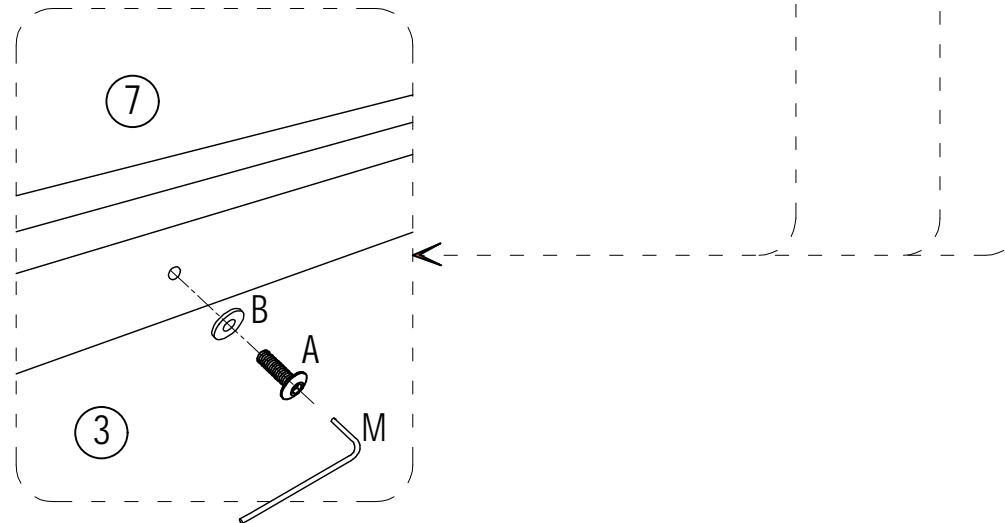
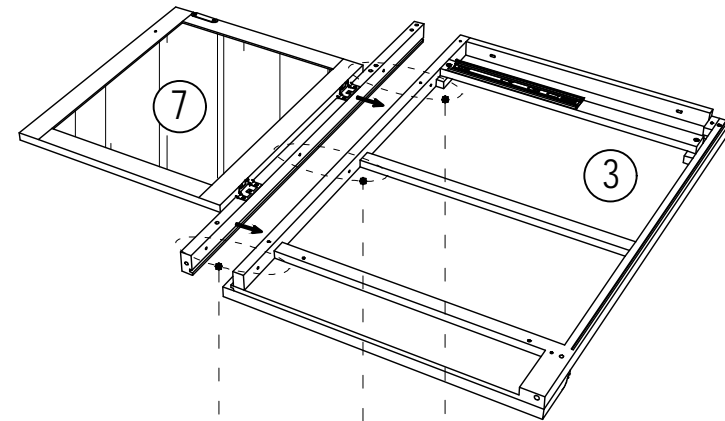


6x16mm  
3 pcs

M

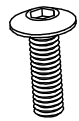


1 pc



# STEP 11

(A)



6x30mm  
3 pcs

(B)



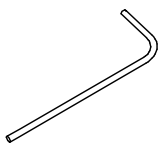
6x16mm  
2 pcs

(C)

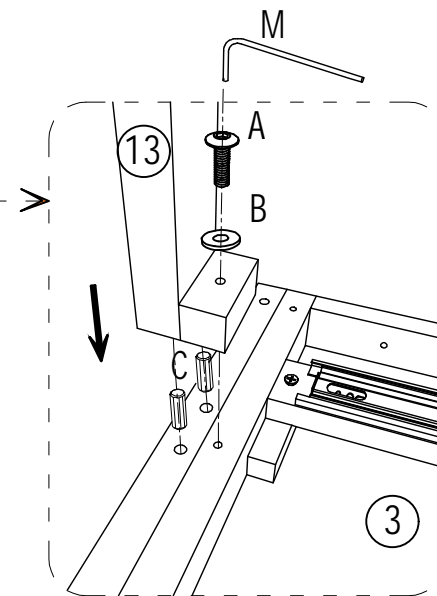
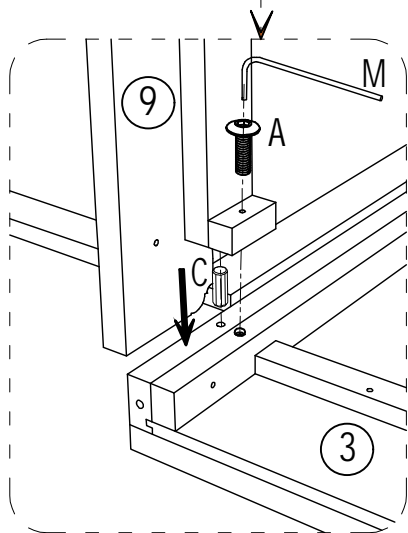
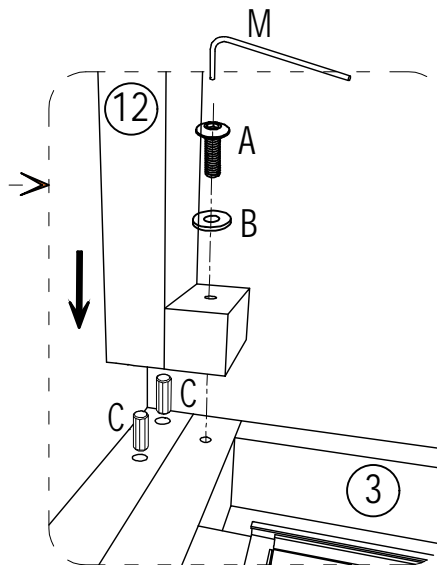
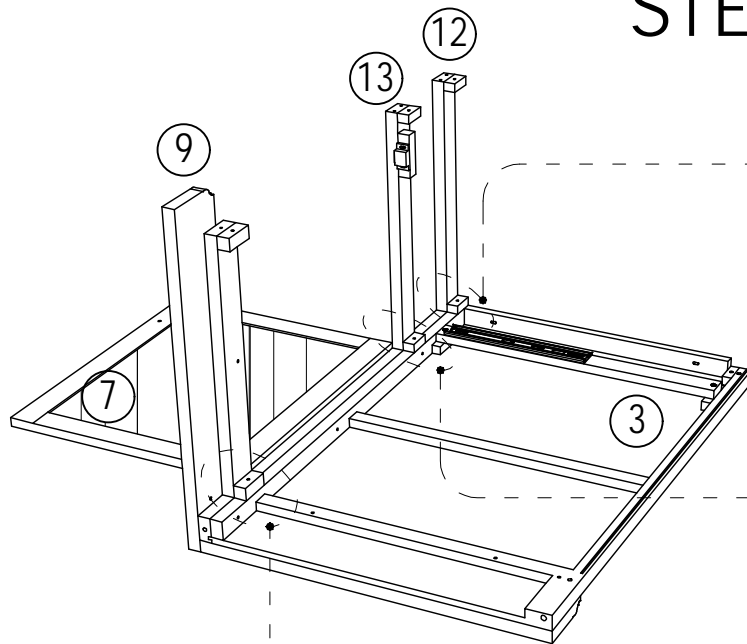


8x30mm  
5 pcs

(M)

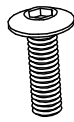


1 pc



# STEP 12

(A)



6x30mm  
2 pcs

(B)



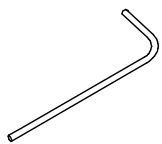
6x16mm  
1 pc

(C)

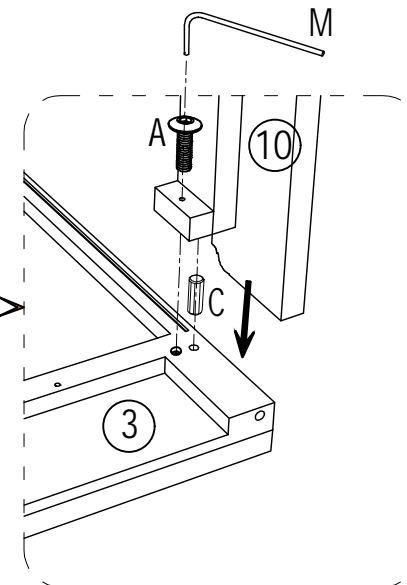
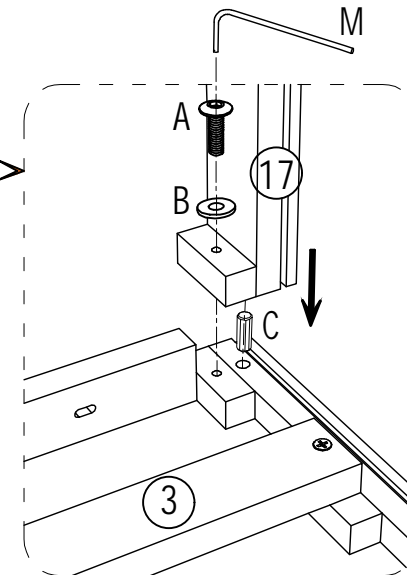
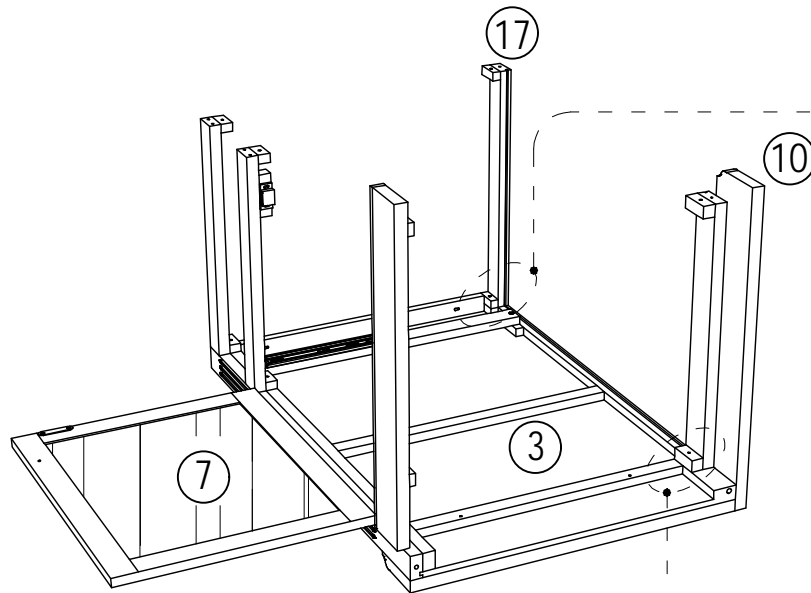


8x30mm  
2 pcs

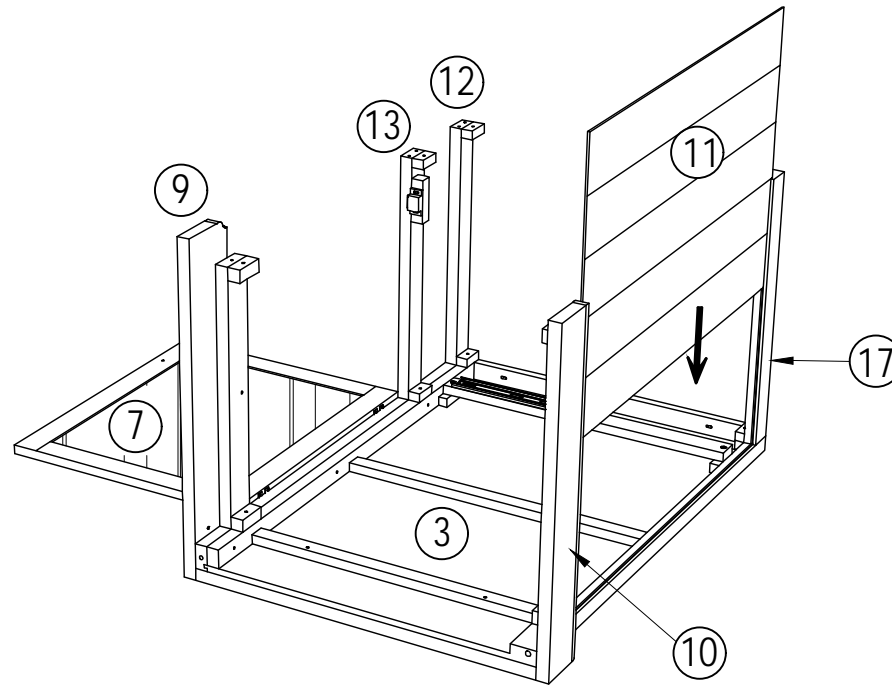
(M)



1 pc

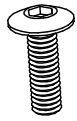


# STEP 13



# STEP 14

(A)



6x30mm  
2 pcs

(B)



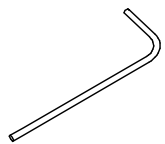
6x16mm  
1 pc

(C)

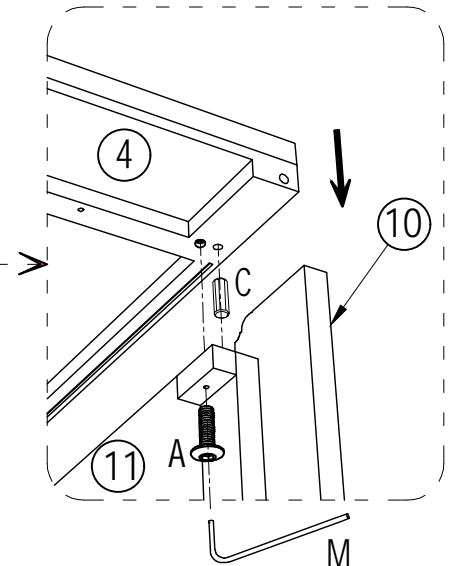
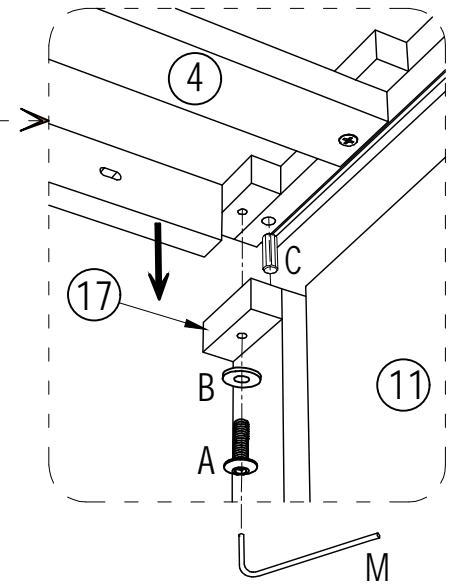
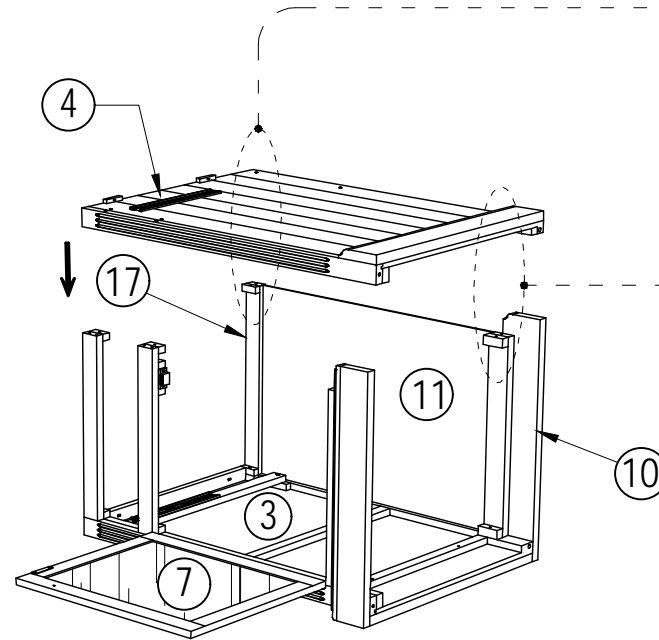


8x30mm  
2 pcs

(M)

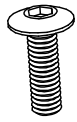


1 pc



# STEP 15

(A)



6x30mm  
3 pcs

(B)



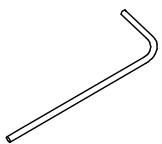
6x16mm  
2 pcs

(C)

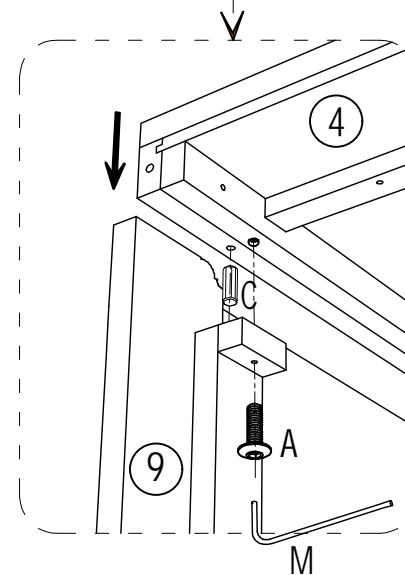
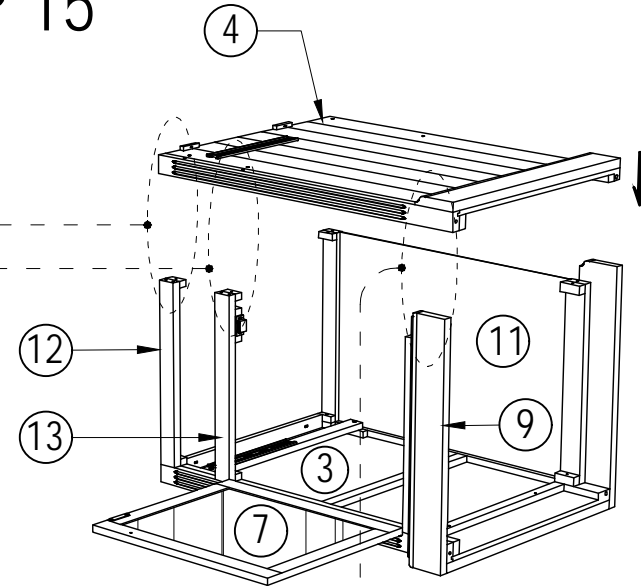
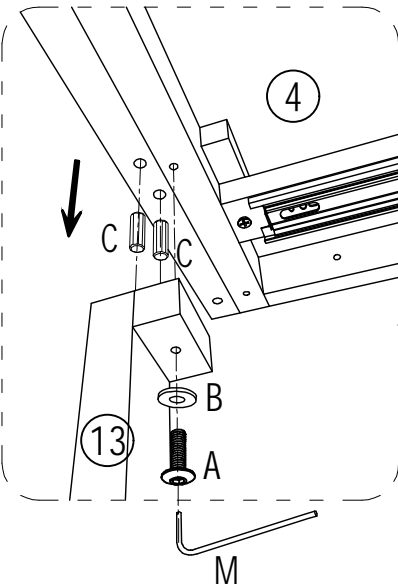
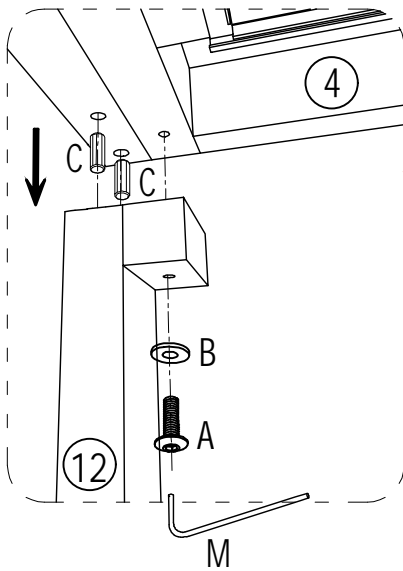


8x30mm  
5 pcs

(M)



1 pc



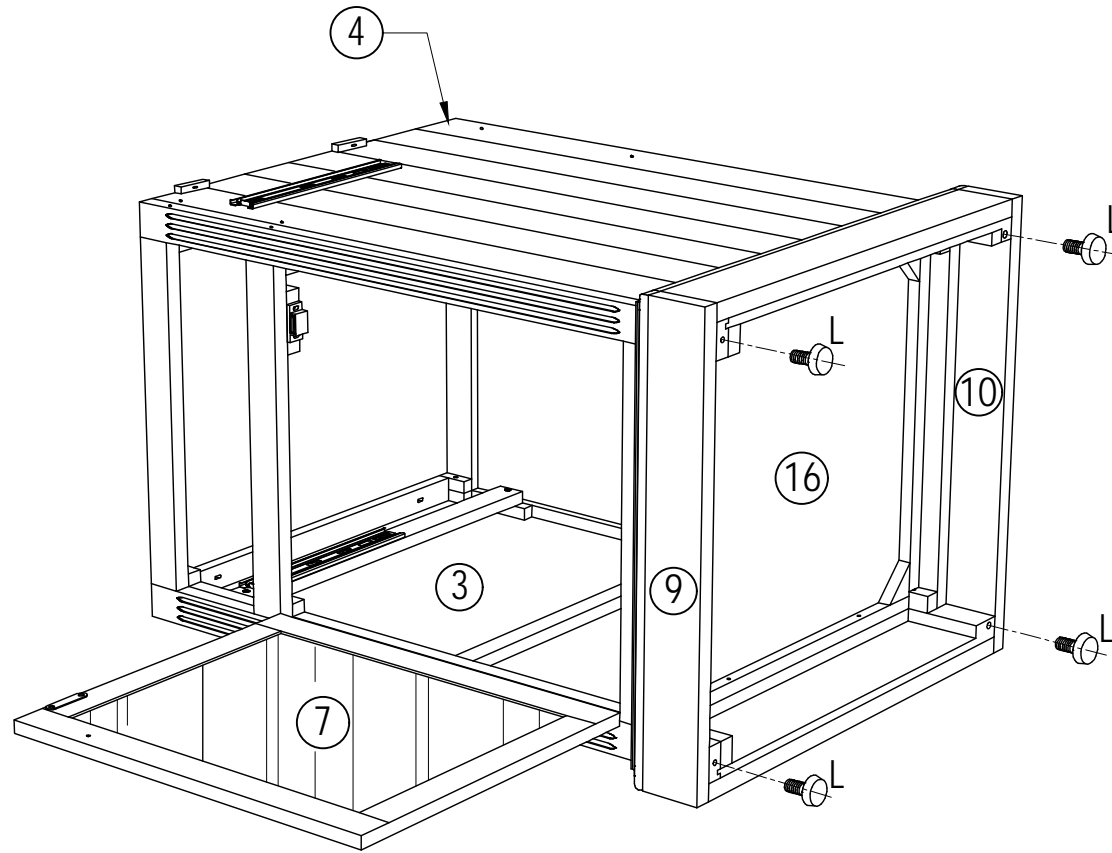


L



4 pcs

# STEP 17



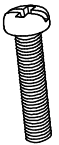
# STEP 18

D



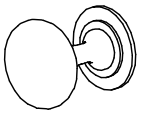
4x25mm  
4 pcs

I



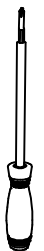
4x25mm  
1 pc

J

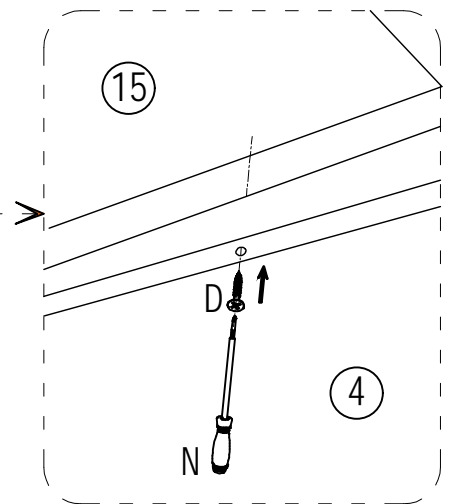
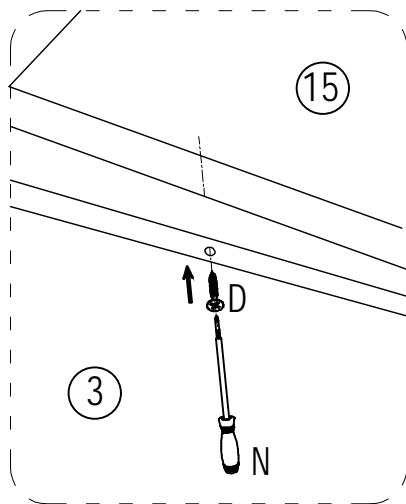
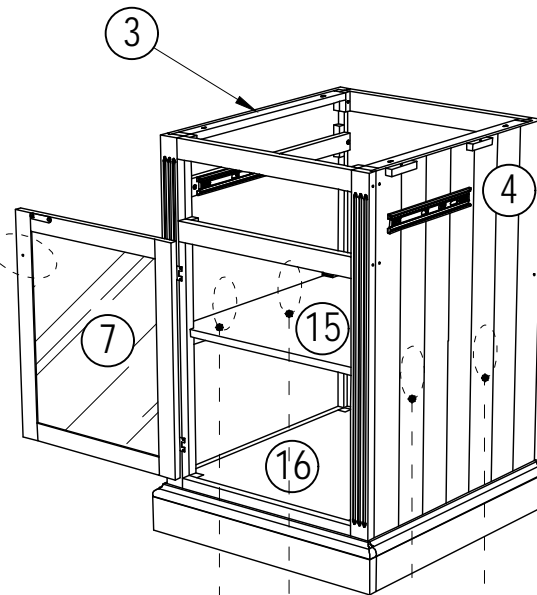
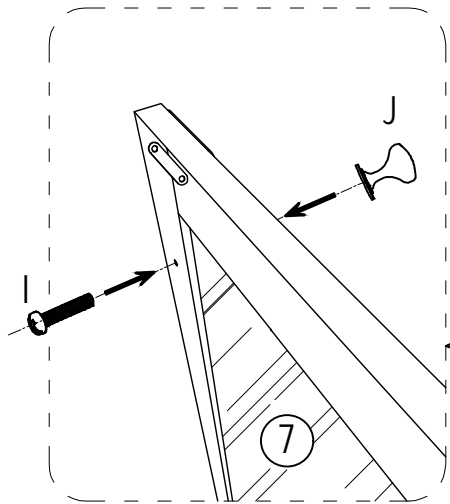


1 pc

N

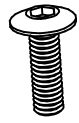


1 pc



# STEP 19

(A)



6x30mm  
8 pcs

(B)



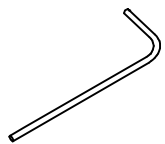
6x16mm  
8 pcs

(C)

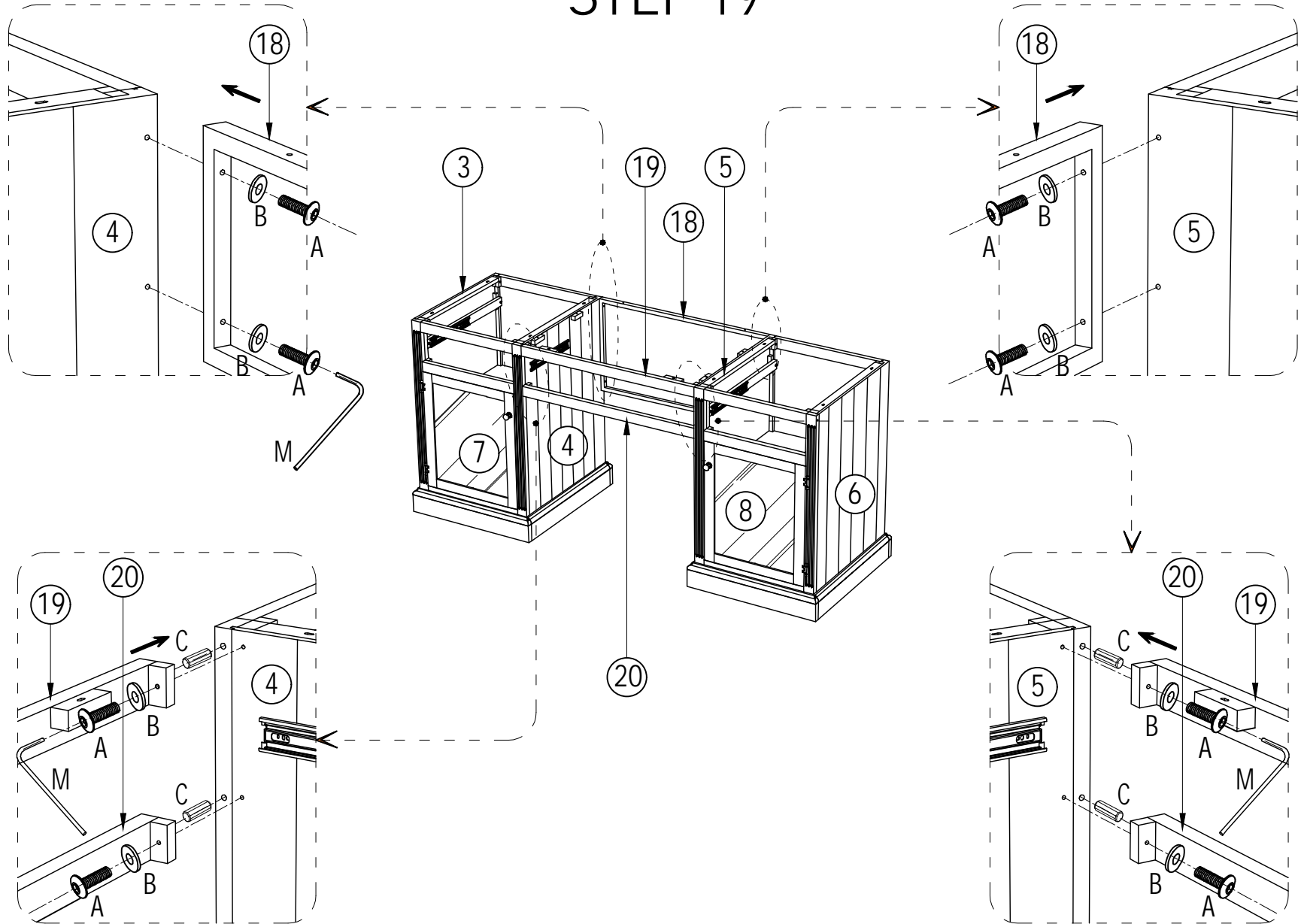


8x30mm  
4 pcs

(M)

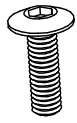


1 pc



# STEP 20

(A)



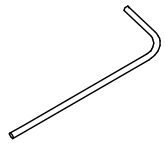
6x30mm  
4 pcs

(B)

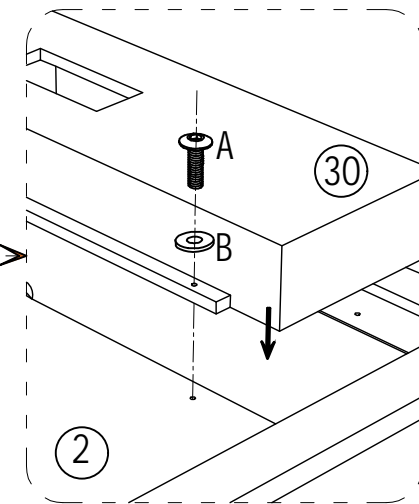
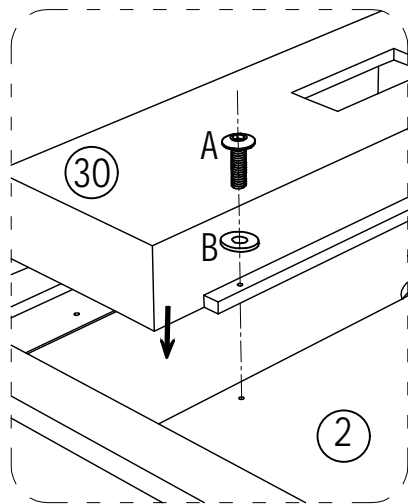
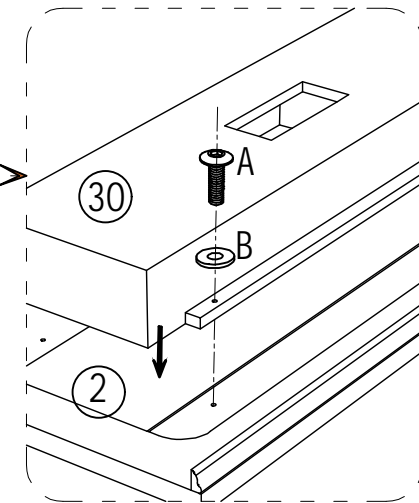
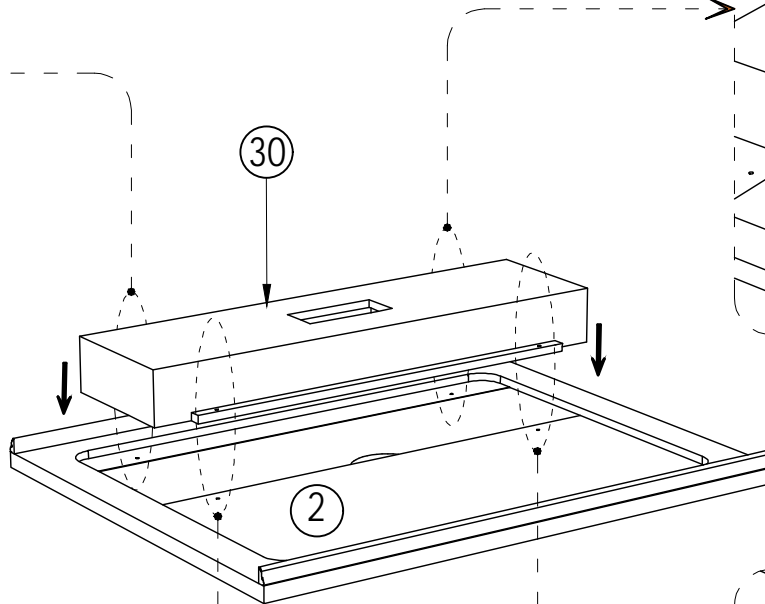
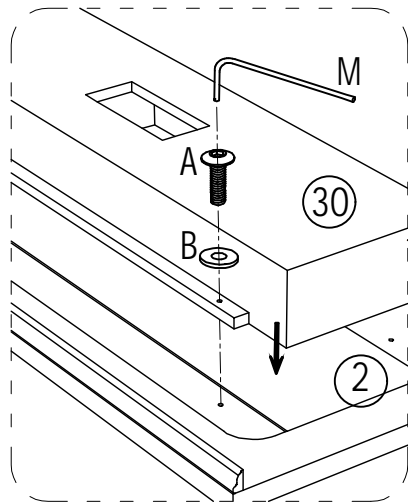


6x16mm  
4 pcs

(M)

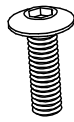


1 pc



# STEP 21

(A)



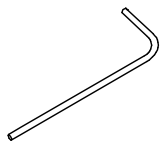
6x30mm  
4 pcs

(B)

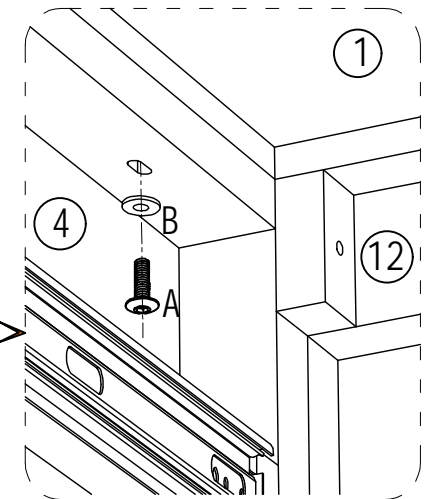
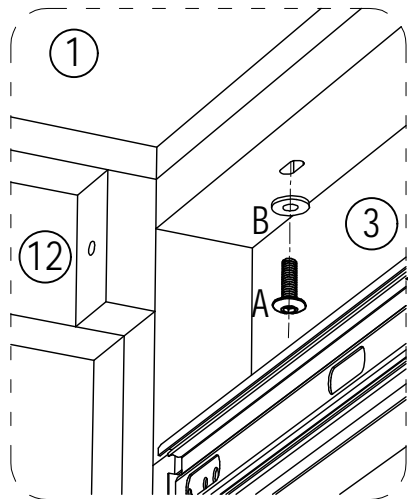
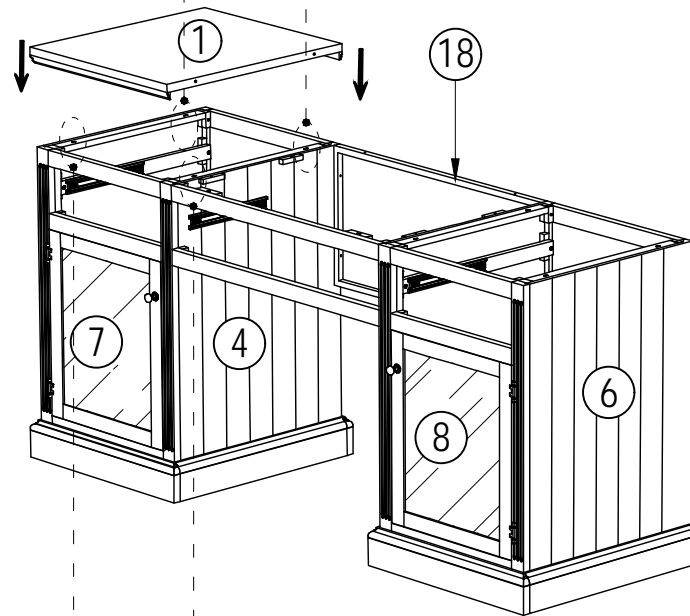
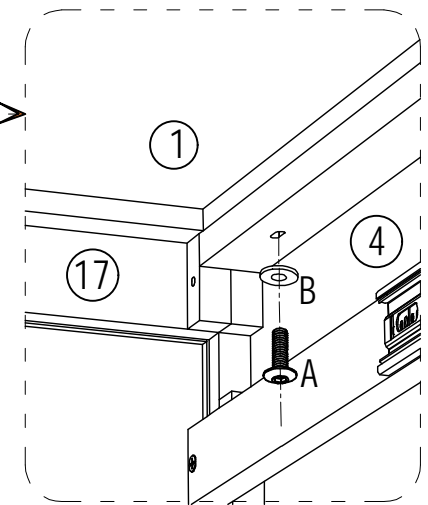
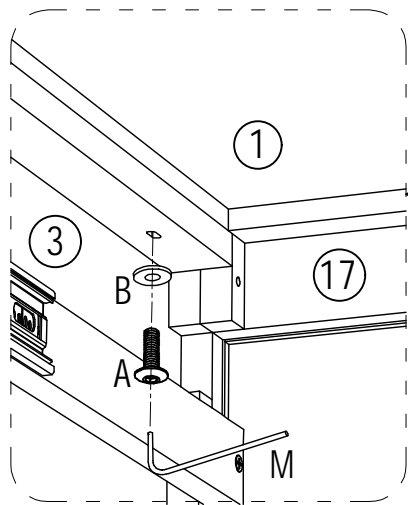


6x16mm  
4 pcs

(M)

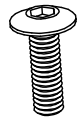


1 pc



# STEP 22

(A)



6x30mm  
8 pcs

(B)



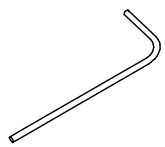
6x16mm  
8 pcs

(C)

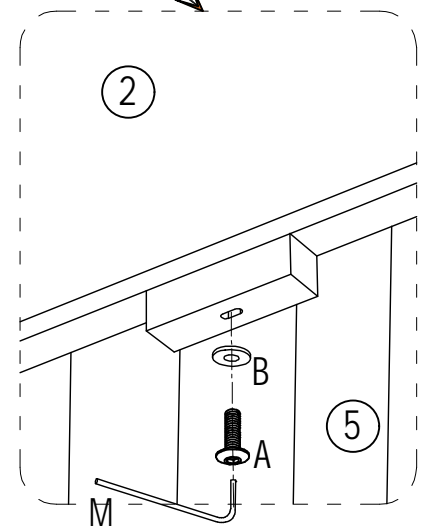
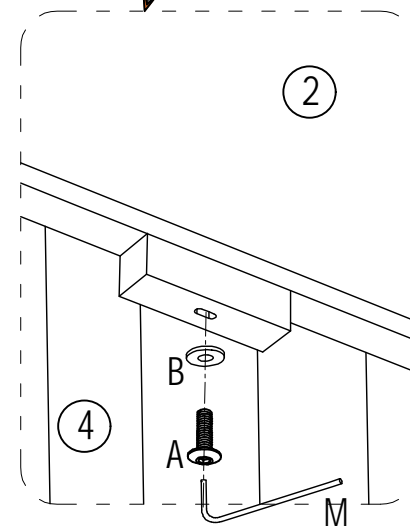
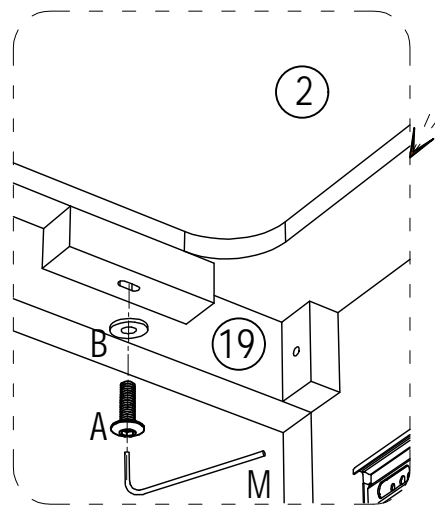
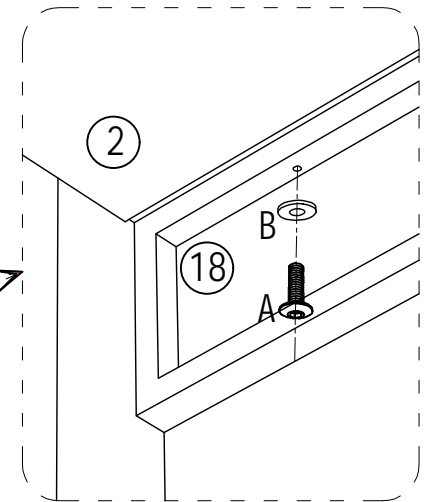
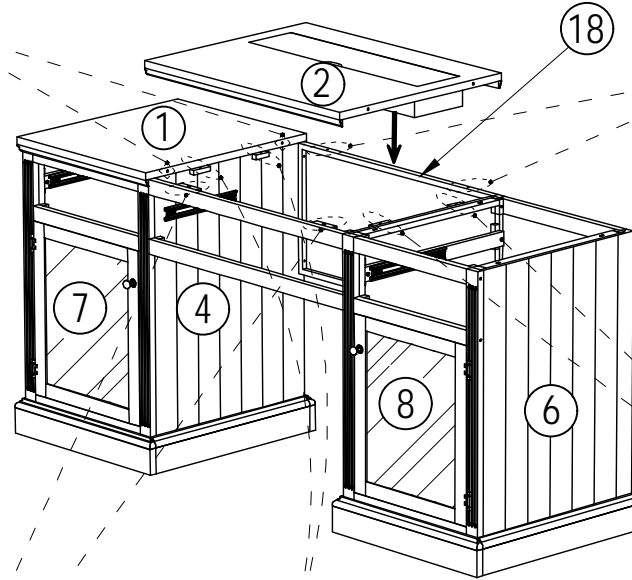
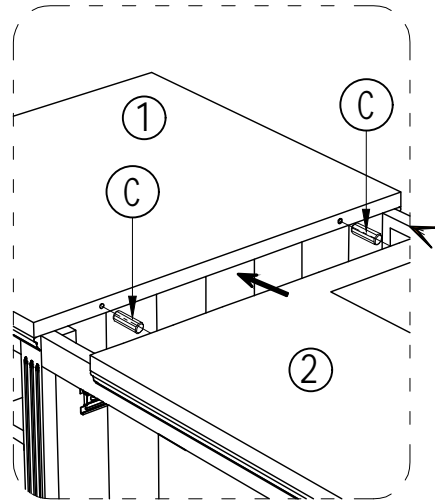


8x30mm  
2 pcs

(M)

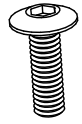


1 pc



# STEP 23

A



6x30mm  
4 pcs

B



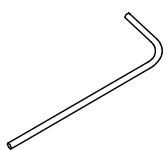
6x16mm  
4 pcs

C

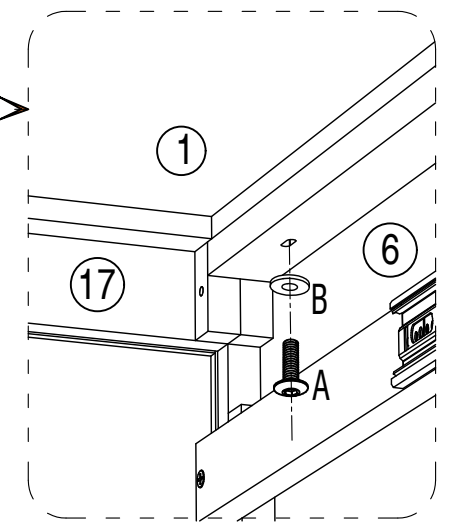
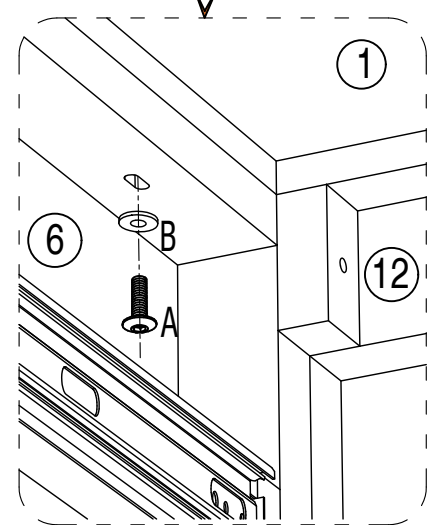
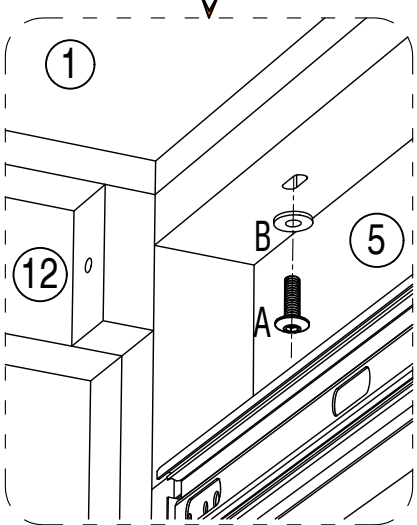
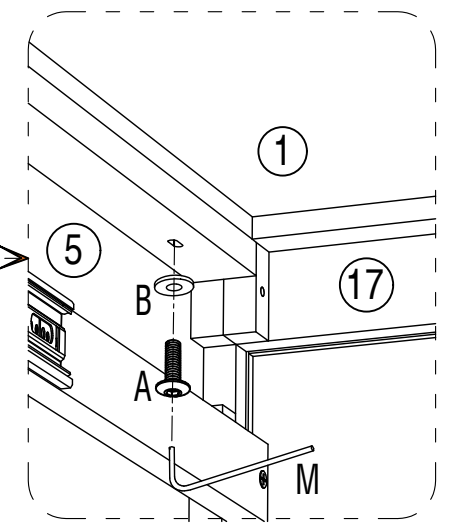
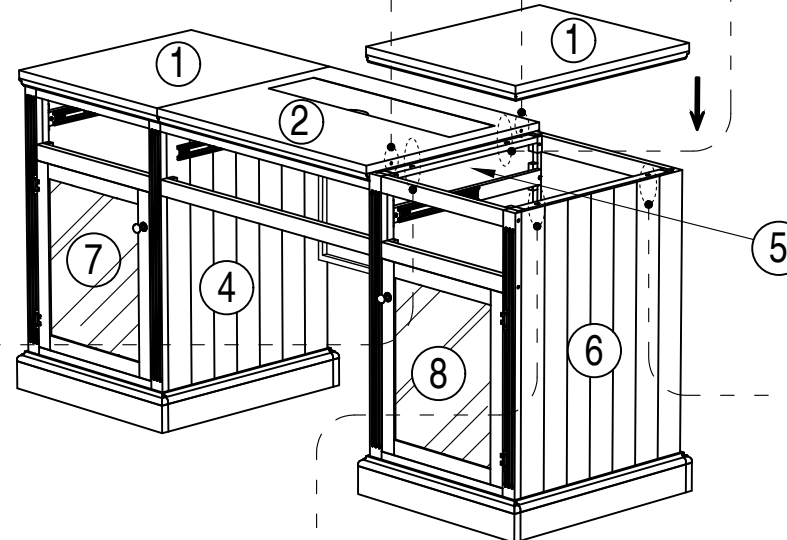
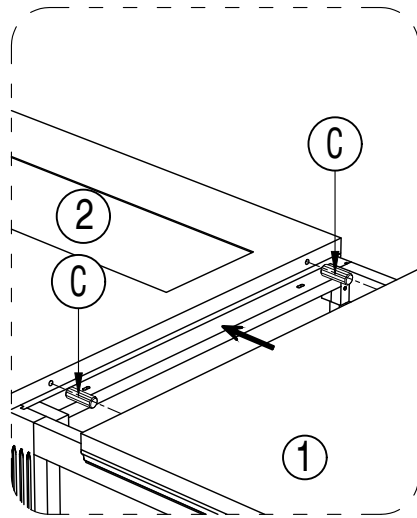


8x30mm  
2 pcs

M

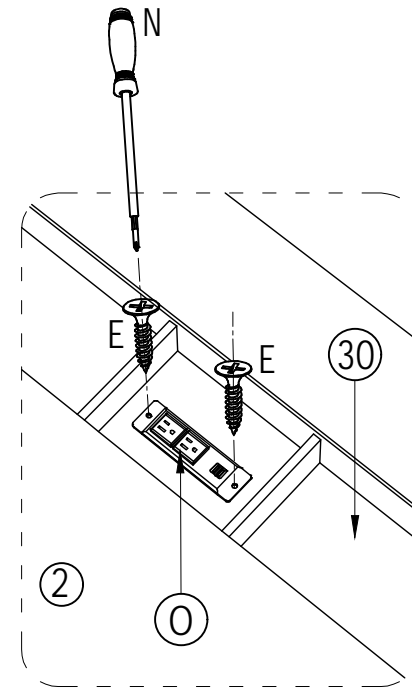
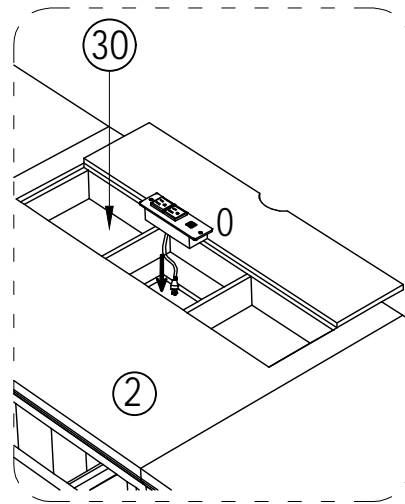
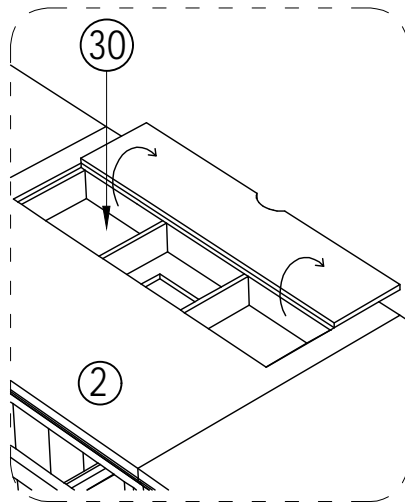


1 pc

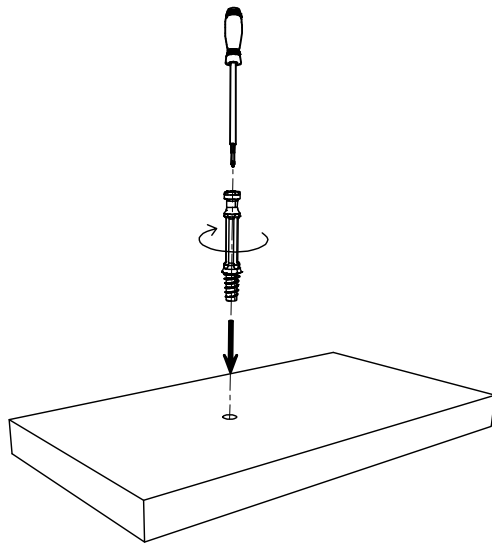


# STEP 24

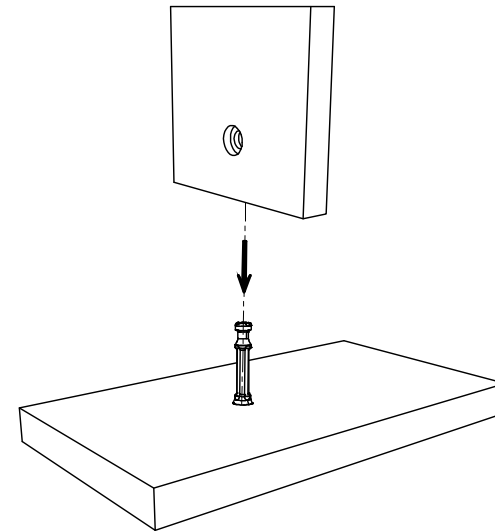
## Install power outlet



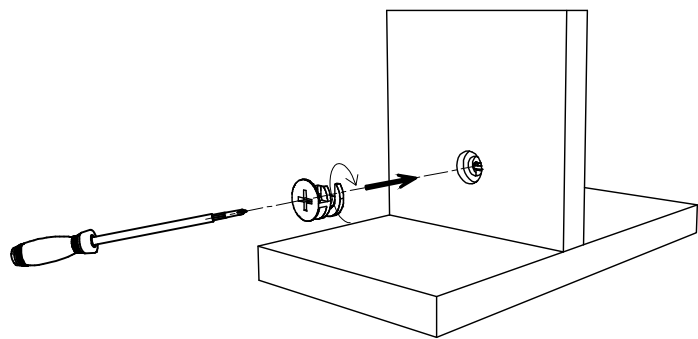
# Typical way to install cam screws



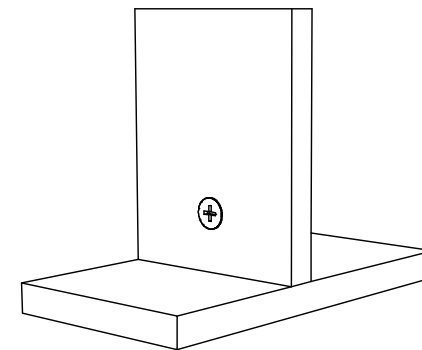
1



2



3



4. Done

# STEP 25

F



3 pcs

G

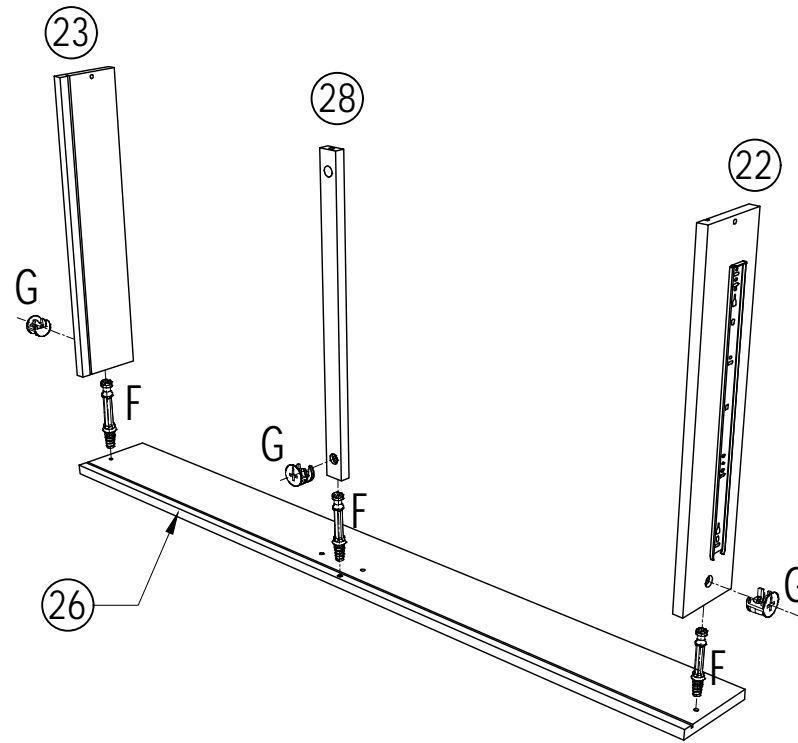


3 pcs

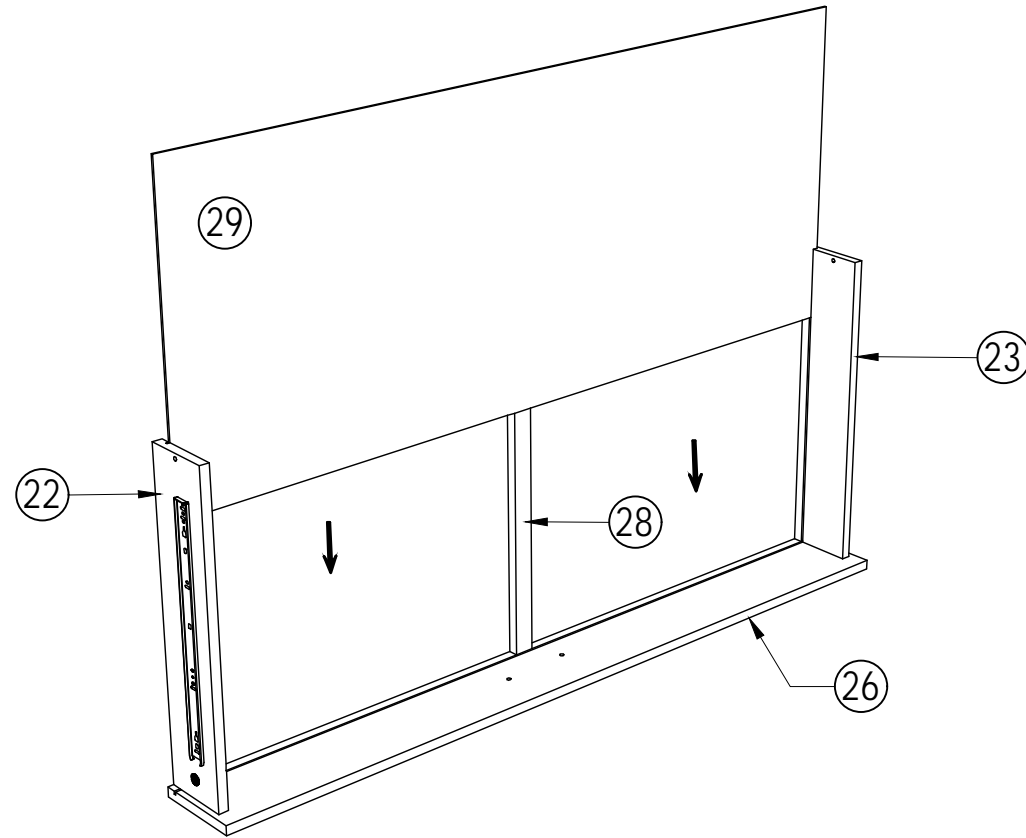
N



1 pc



# STEP 26



# STEP 27

F



1 pc

G



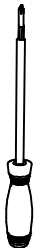
1 pc

D

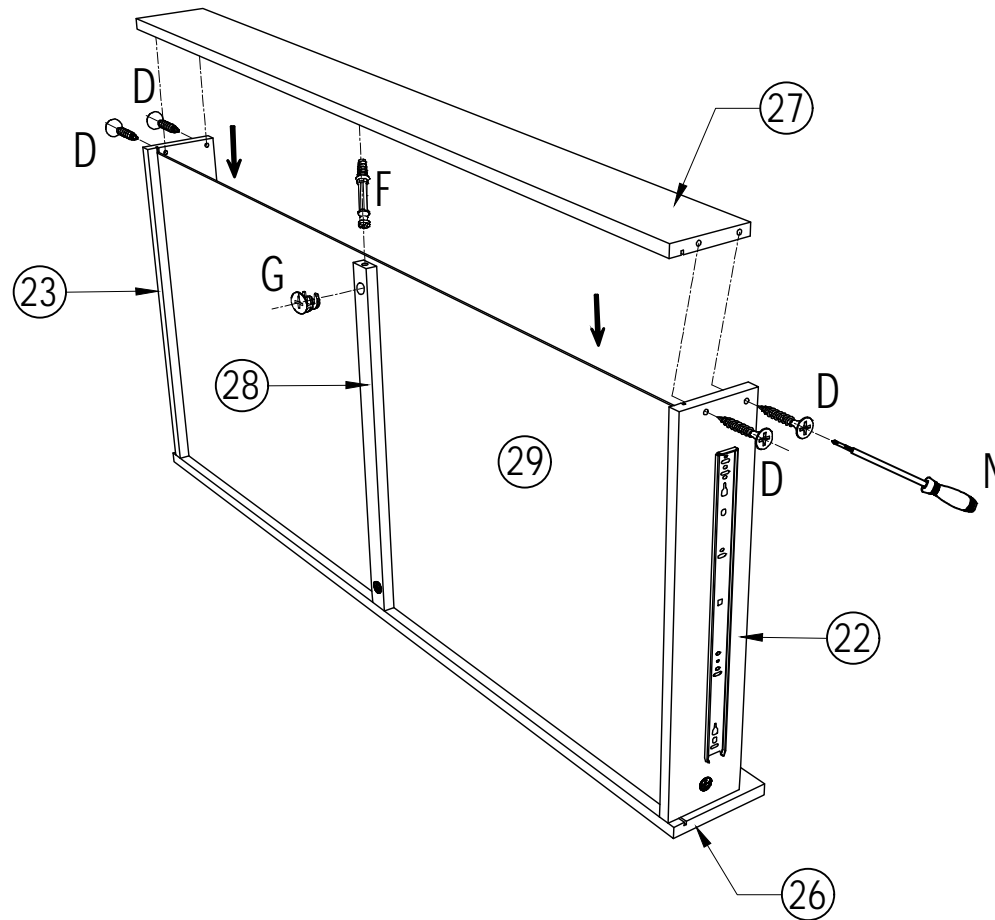


4x25mm  
4 pcs

N

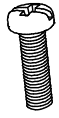


1 pc



# STEP 28

(H)



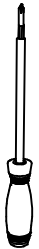
4x15mm  
2 pcs

(K)

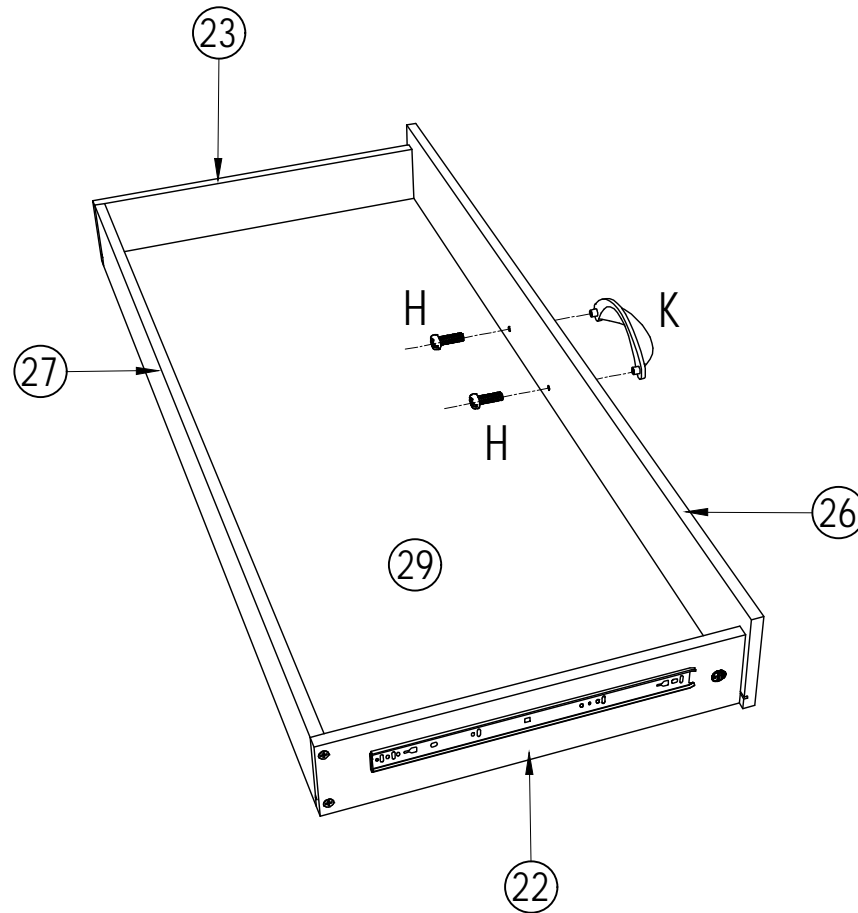


Quantity:  
1 pc

(N)



1 pc



F



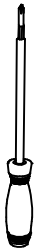
4 pcs

G



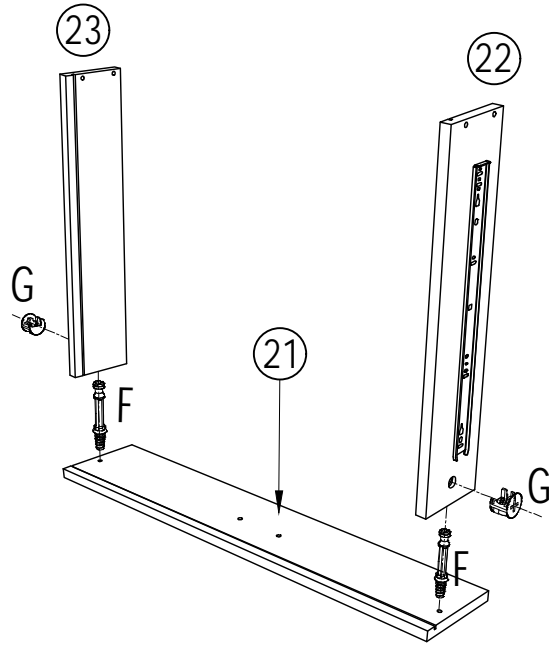
4 pcs

N

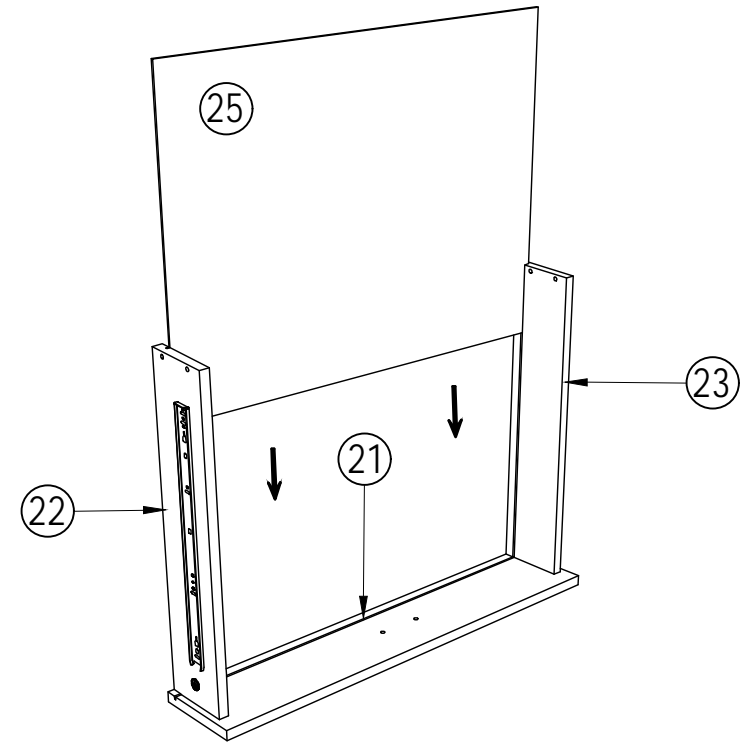


1 pc

# STEP 29 (x2)



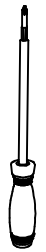
# STEP 30 (x2)





D

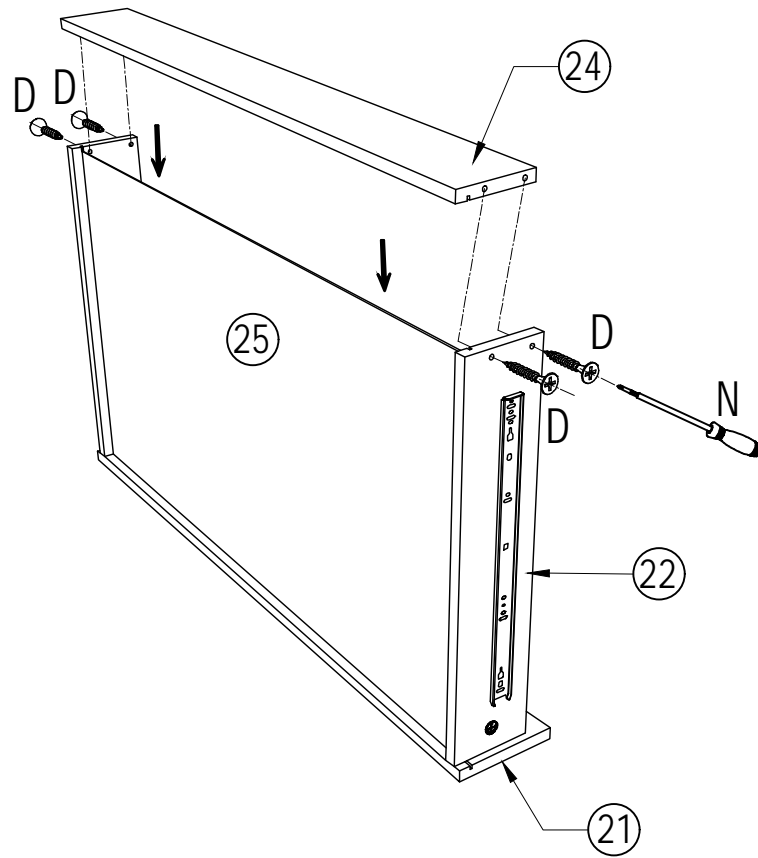
4x25mm  
8 pcs



N

1 pc

# STEP 31 (x2)



H



4x15mm  
4 pcs

K



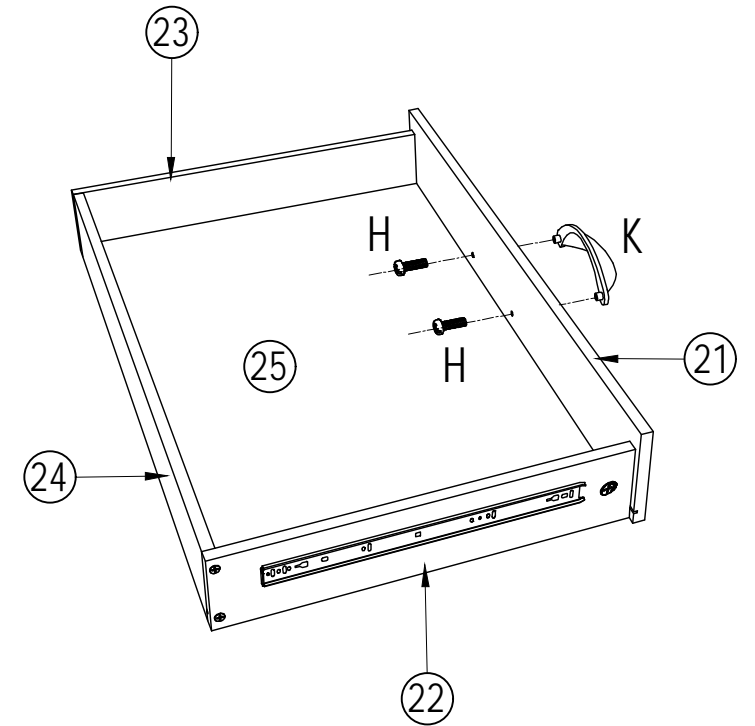
2 pcs

N

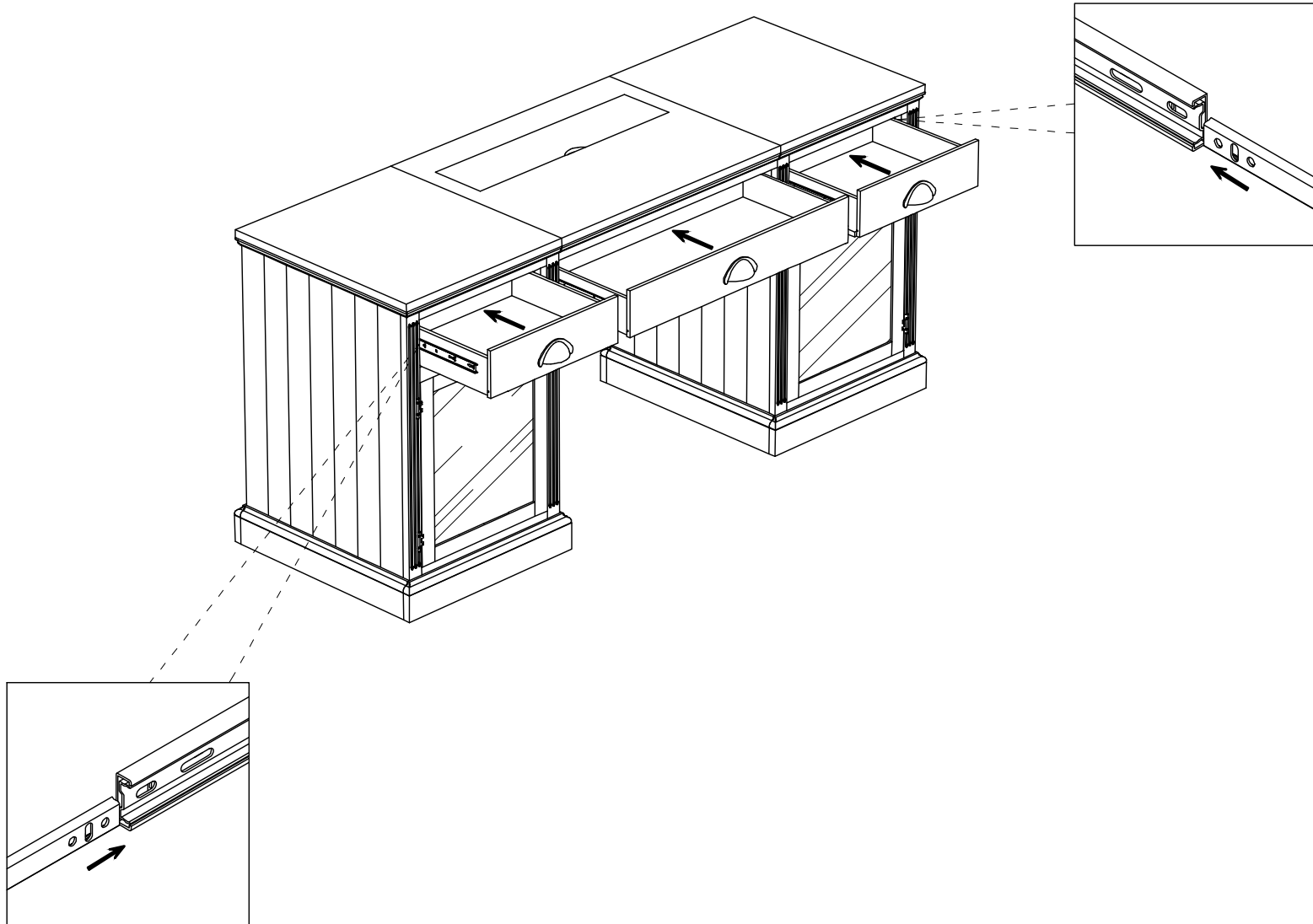


1 pc

# STEP 32 (x2)



# STEP 33



# FINISH

