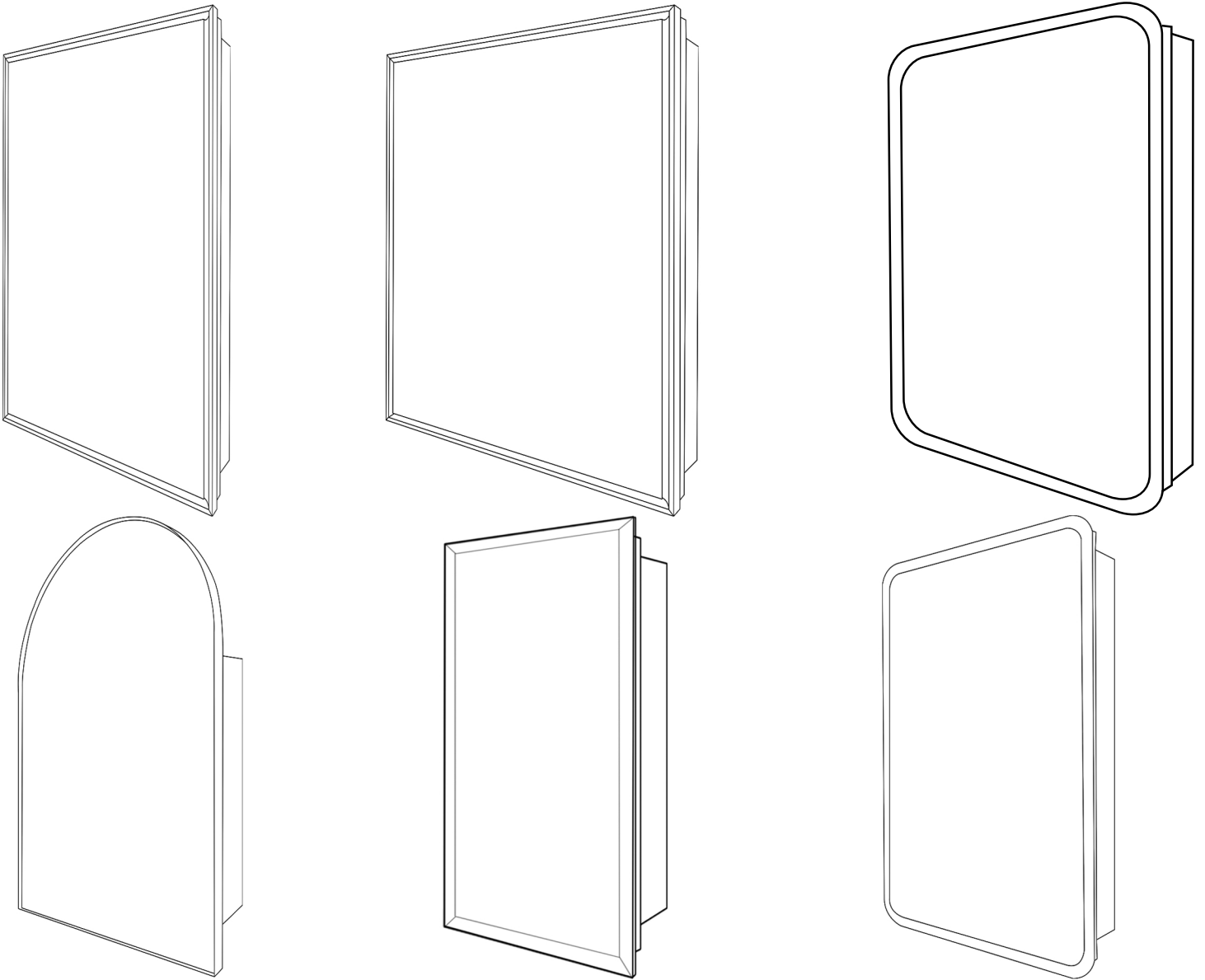


MEDICINE CABINET

Installation Guide

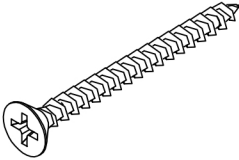
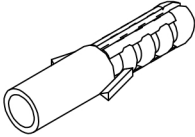
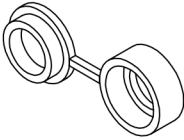
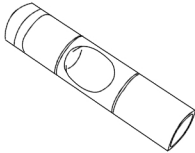
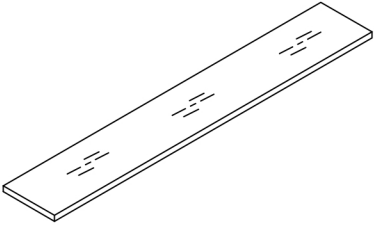
INSTALLATION MANUAL



CONTACT US

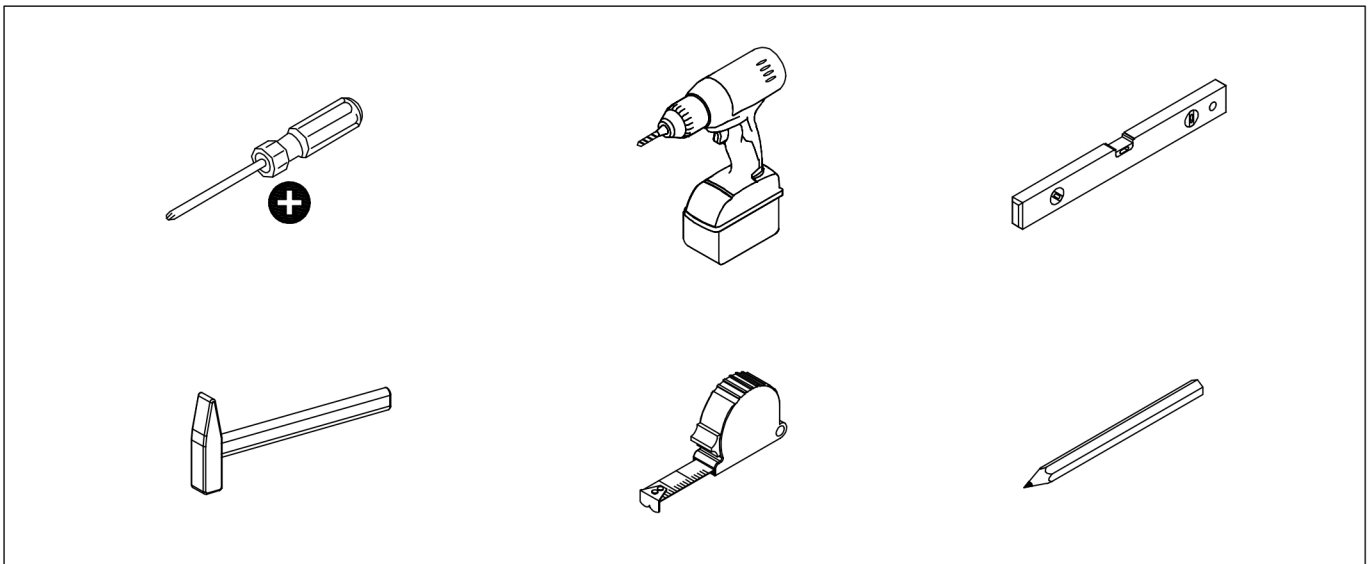
After opening the package, please inspect the product immediately and see if there is any damage or missing parts. If there is, please feel free to contact us and we will reply within 24 hours.

List of Parts

A 4pcs  Screws	B 4pcs  Rubber plug screws	C 4pcs  Screw cover
D 1pcs  Spirit level	E 1pcs  Glass shelf	F

INSTALLATION SAFETY

- ※ Inspect the product immediately upon receipt for any possible damage during transportation or missing parts. Handle the product with care and protect against knocks to all sides and edges of the glass.
- ※ Ensure there are no hidden pipes or cables in the wall before drilling
- ※ Wear suitable eye protection when drilling. Take care if drilling on tiled surfaces

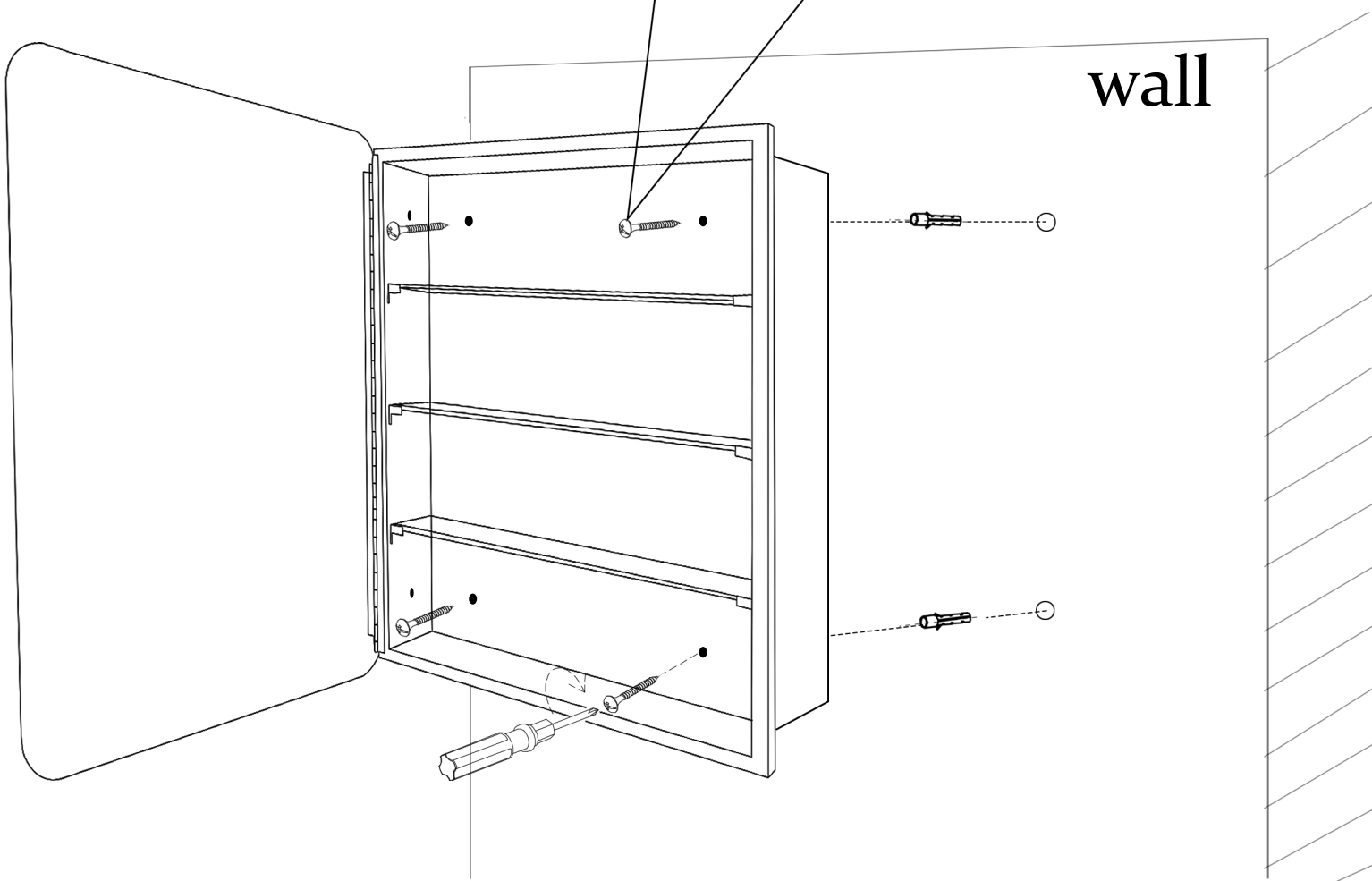
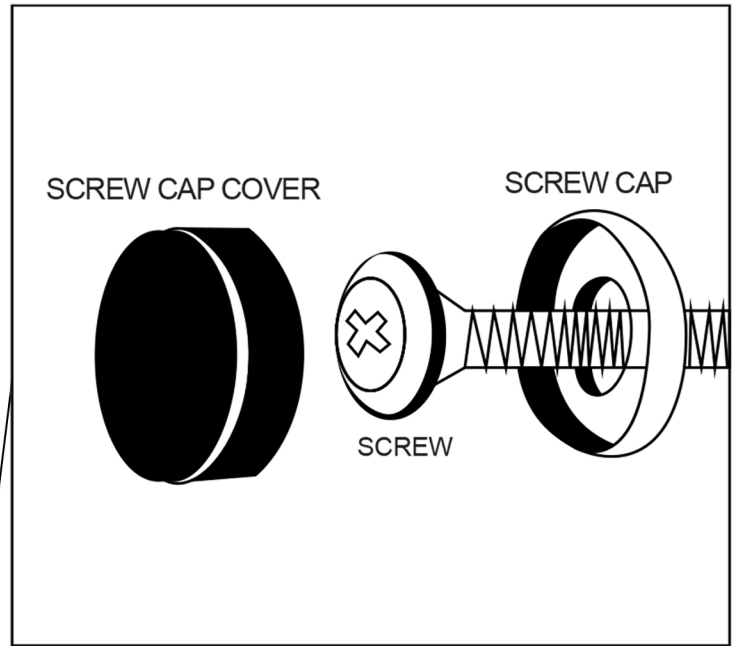


!! Accessories and parts may vary from the picture above. Depends on the product model and size.

MEDICINE CABINET:WALL-MOUNTED

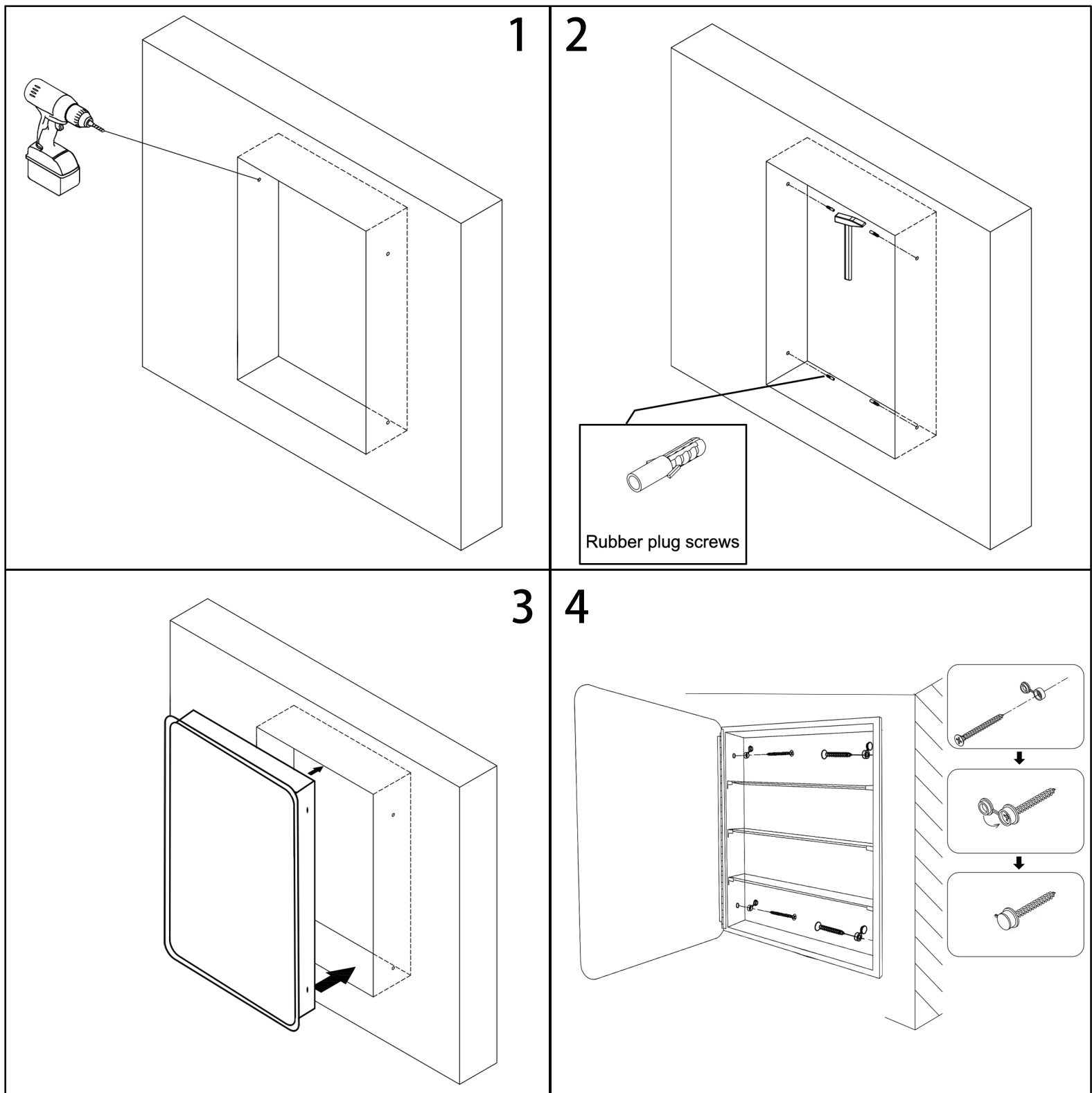
Installation Steps:

- 1.Place the medicine cabinet against the wall and mark spot on the wall.
2. Put the medicine cabinet down, drill at the marked spot and apply a wall anchor
- 3.Hang the medicine cabinet on it and attach each corner to the wall with four screws and tighten the screws



MEDICINE CABINET: RECESSED-MOUNTED

1. Make an outline for the cabinet box, cut the marked perimeter through the drywall, and remove the cutout
2. Put the medicine cabinet into the cutout and mark the spots for drilling on the wall
3. Take out the medicine cabinet, punch holes at the marked spots with an electric drill, and apply wall anchors with a hammer
4. Place the medicine cabinet in the cutout together and secure the cabinet with screws



HOW TO CLEAN

When cleaning the mirror, please follow these steps.

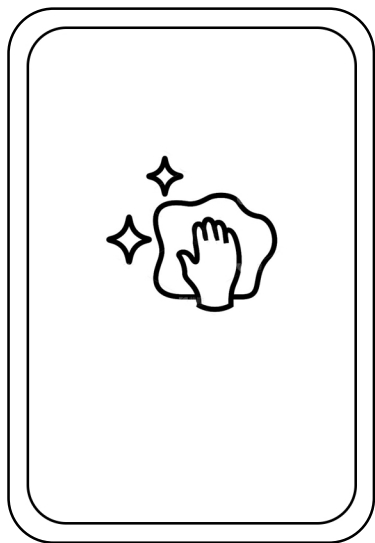
① Use a soft, non-abrasive cloth to clean the mirror.

Avoid using rough or abrasive materials that may damage the surface.

② Do not use any cleaning agents that may cause irritation or damage to the mirror's finish. Instead, use any of the recommended cleansers to remove dirt and grime:

Gentle liquid detergents Colorless cleansers

③ If any adhesive residue left, please wipe it off with a cloth dipped in water (instead of detergents)



Note: cabinet size, style and shape may vary from the picture above. Instructional purpose only