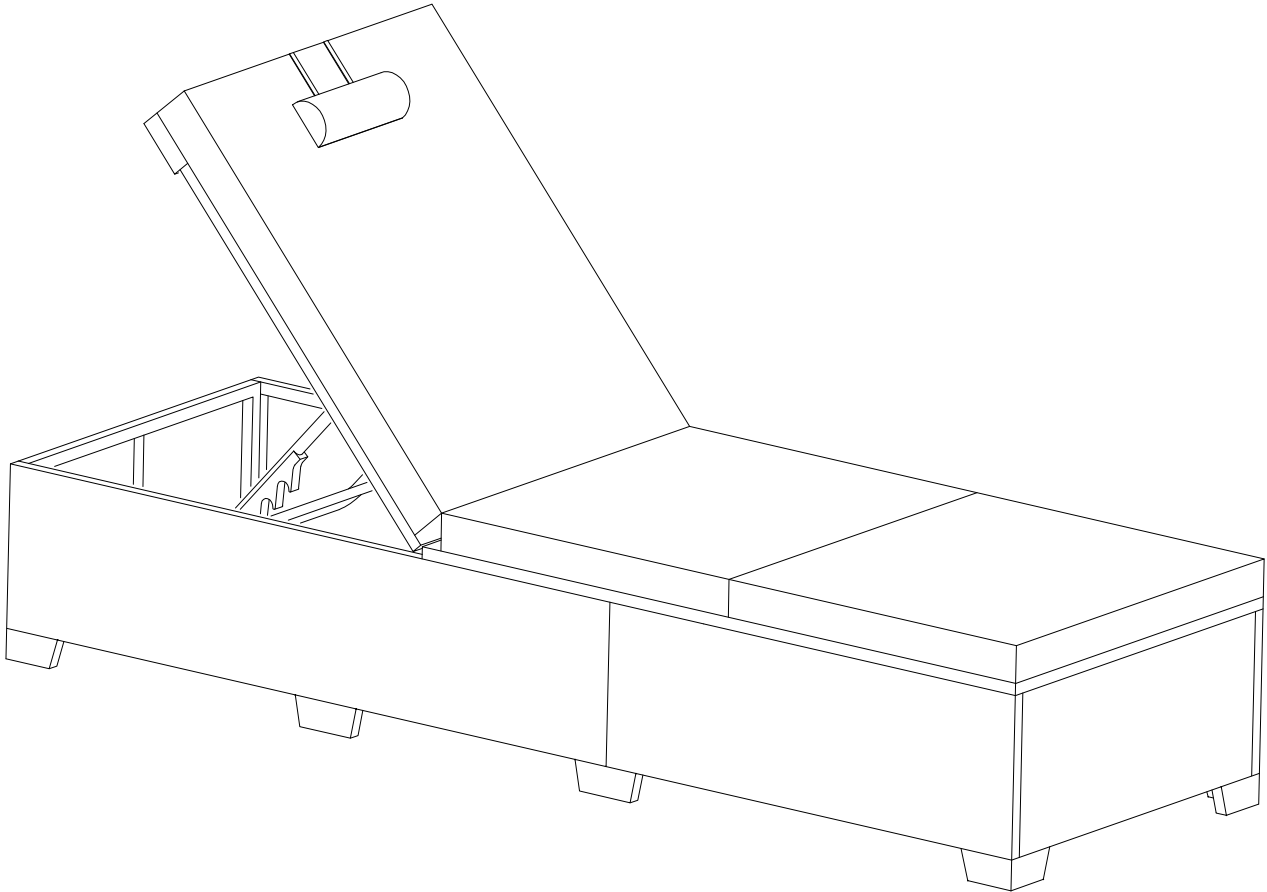
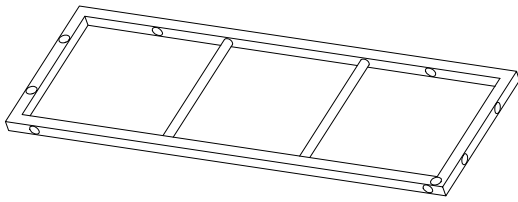


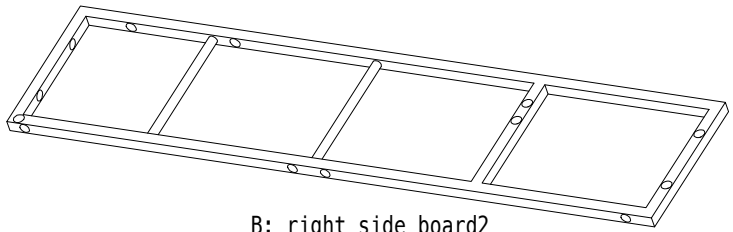
Chaise Lounge



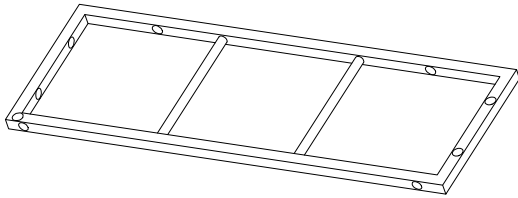
- a. Opening, please check the parts, any defect or missing, contact us in time.
- b. Advisable to assemble on the mat to avoid wear and tear. Avoid all sharp objects touching the product surface. Do not allow the children to play around.
- c. Do not tighten all screws entirely until assemble is completed. Power tools are available, don't over-tighten for strip threads. Any problems assembling, contact us in time!
- d. If the cushion crease, don't worry! Use for some time will recover!



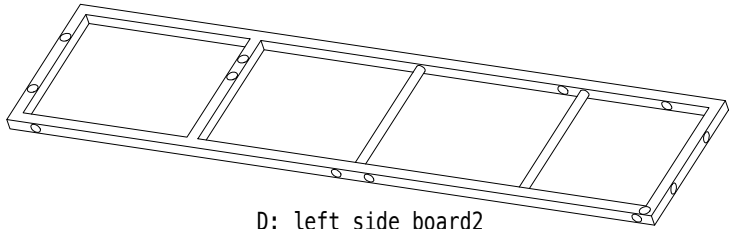
A: right side board1
1 pcs



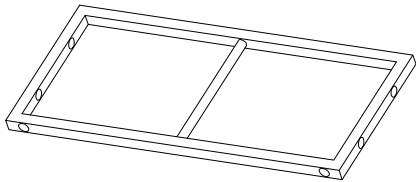
B: right side board2
1 pcs



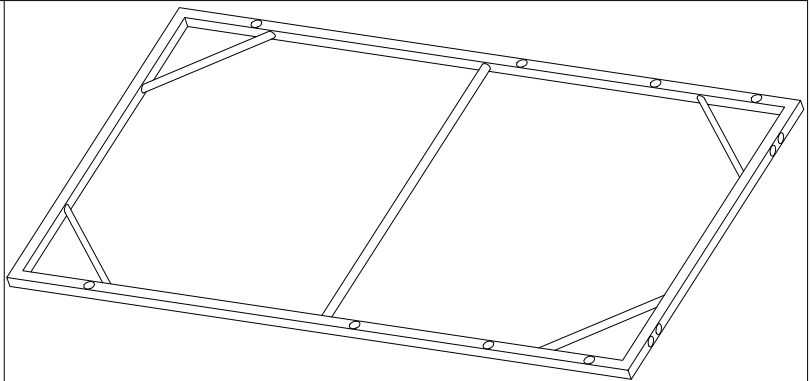
C: left side board1
1 pcs



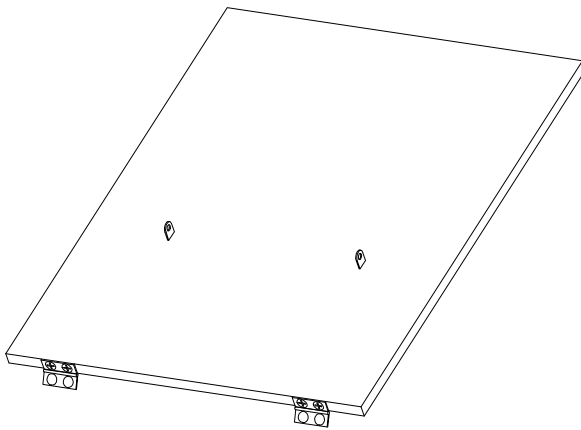
D: left side board2
1 pcs



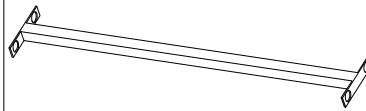
E: front & back screen
2 pcs



F: seat board
1 pcs



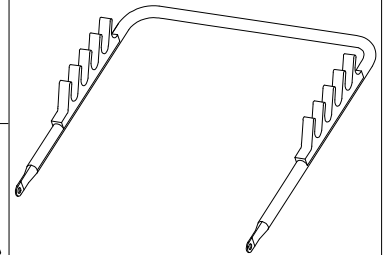
G: backrest
1 pcs



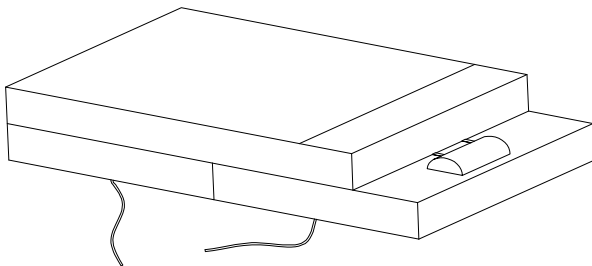
I: stiffener part
1 pcs



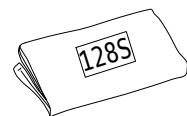
J: backrest support bar
1 pcs



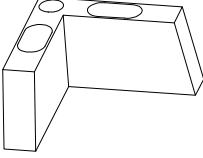
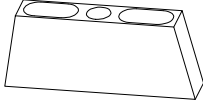
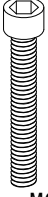


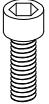
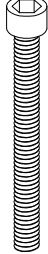
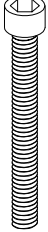

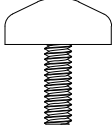






K: adjustable bracket
1 pcs



cushion with headrest
1 pcs





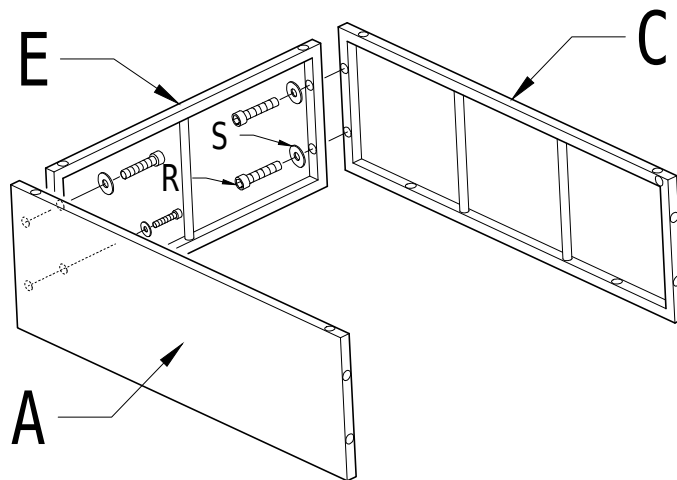
furniture cover
1 pcs

 <p>P: sofa foot 4 pcs</p>	 <p>Q: sofa foot 4 pcs</p>	 <p>R: screw M6*35mm 16 pcs</p>	 <p>S: shim ø16*6.4*1 36 pcs</p>	 <p>T: nut M6 4 pcs</p>
 <p>V: screw M6*15mm 10 pcs</p>	 <p>W: screw M6*50mm 4 pcs</p>	 <p>X: screw M6*45mm 16 pcs</p>	 <p>Y: shim ø11*6.2*1 16 pcs</p>	 <p>Z: adjustable screw 8 pcs</p>
 <p>screw M5*10mm 4 pcs</p>	 <p>rubber gasket M6 2 pcs</p>	 <p>nut 2 pcs</p>	 <p>Inner hexagon spanner 1 pcs</p>  <p>Inner hexagon spanner with cross 1 pcs</p>	 <p>open spanner 1 pcs</p>

Step 1

A x 1, C x 1, E x 1

 <p>R: screw M6*35mm 4 pcs</p>	 <p>S: shim ø16*6.4*1 4 pcs</p>
---	--



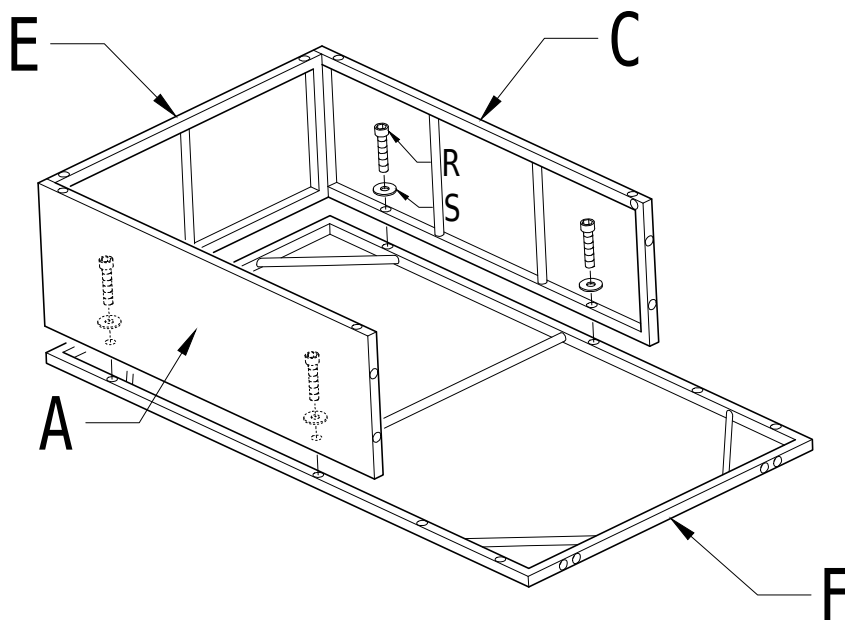
Step 2

F x 1



R: screw M6*35mm
4 pcs

S: shim
Ø16*6.4*1 4 pcs



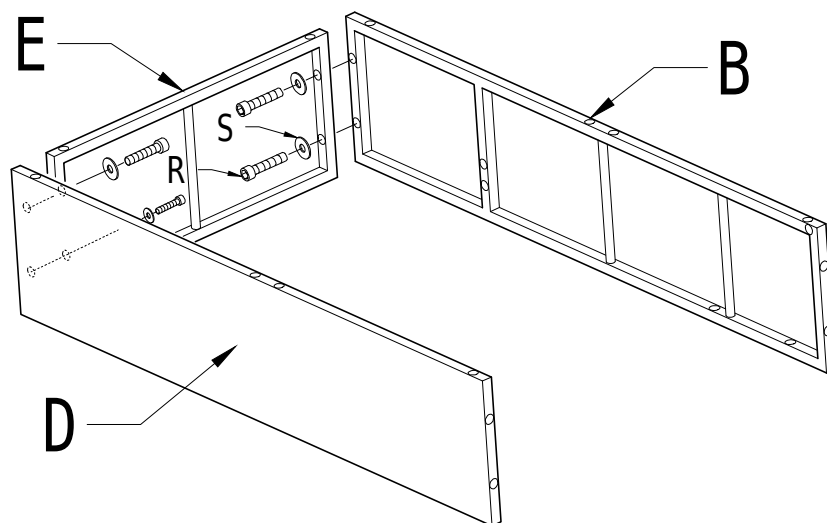
Step 3

B x 1, D x 1, E x 1

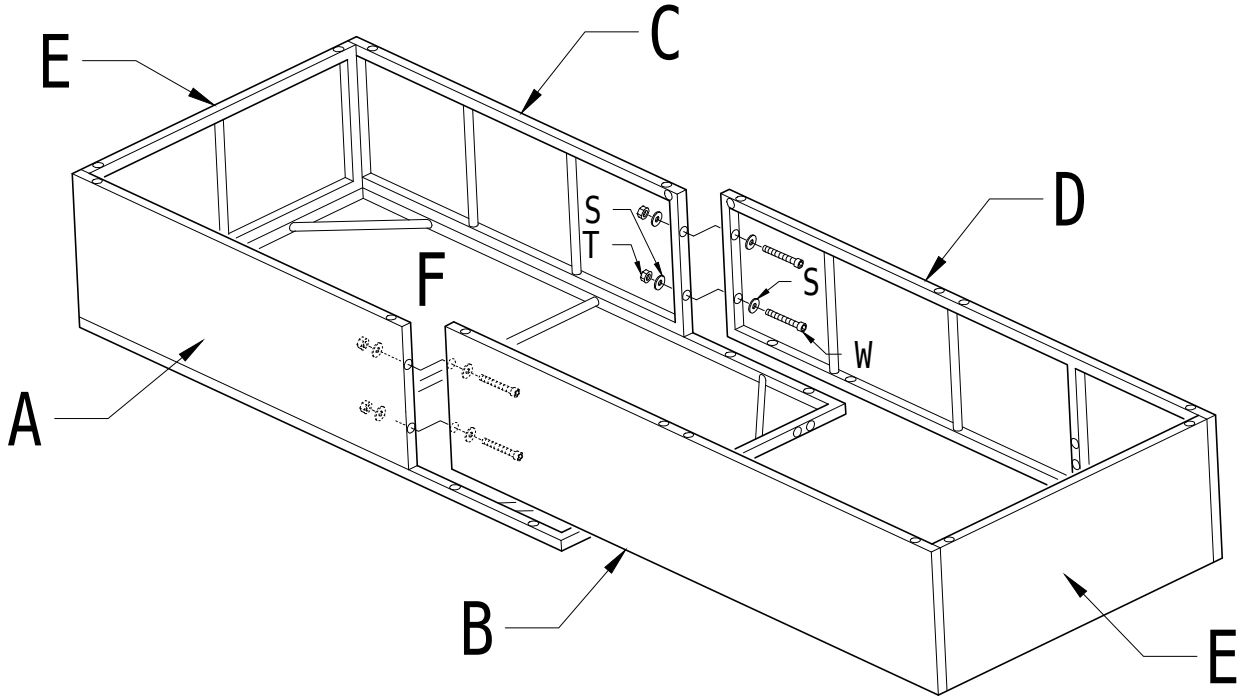
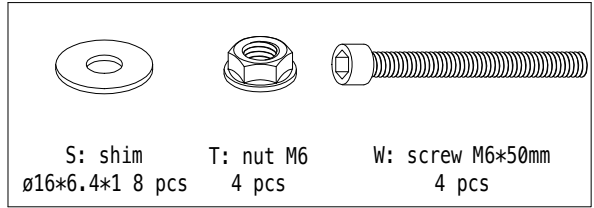


R: screw M6*35mm
4 pcs

S: shim
Ø16*6.4*1 4 pcs

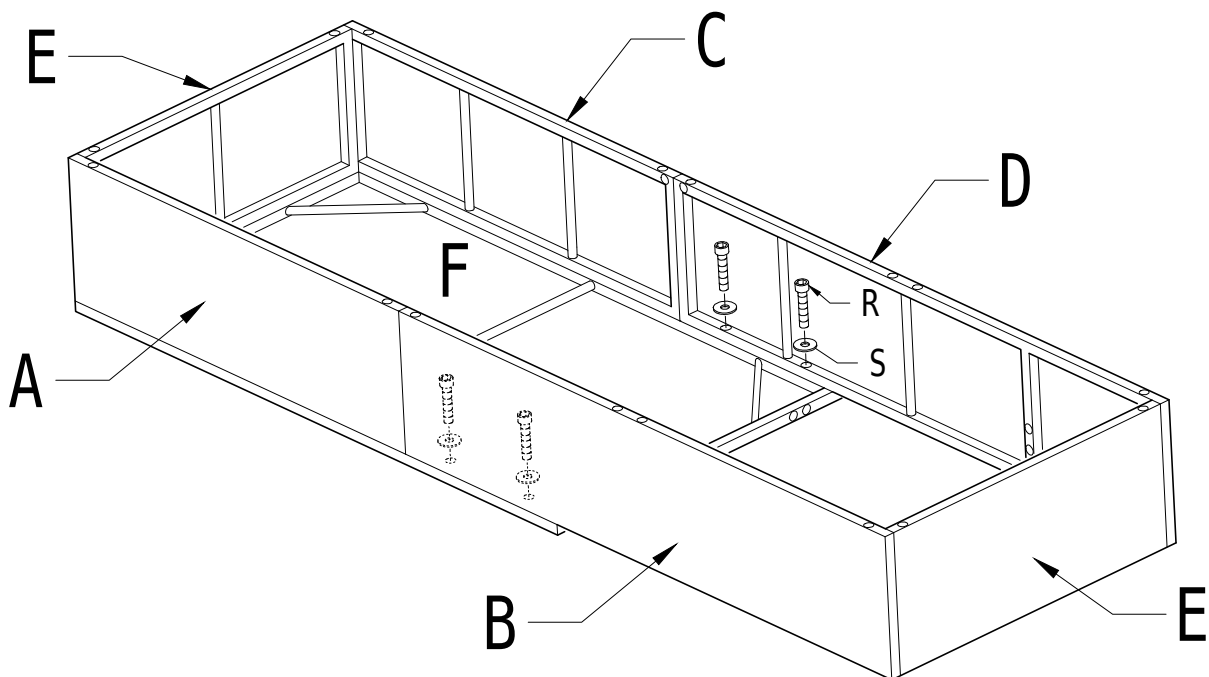
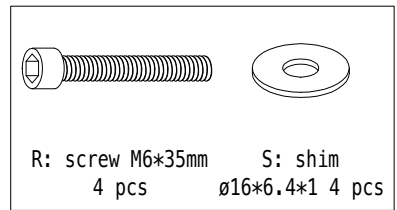


Step 4



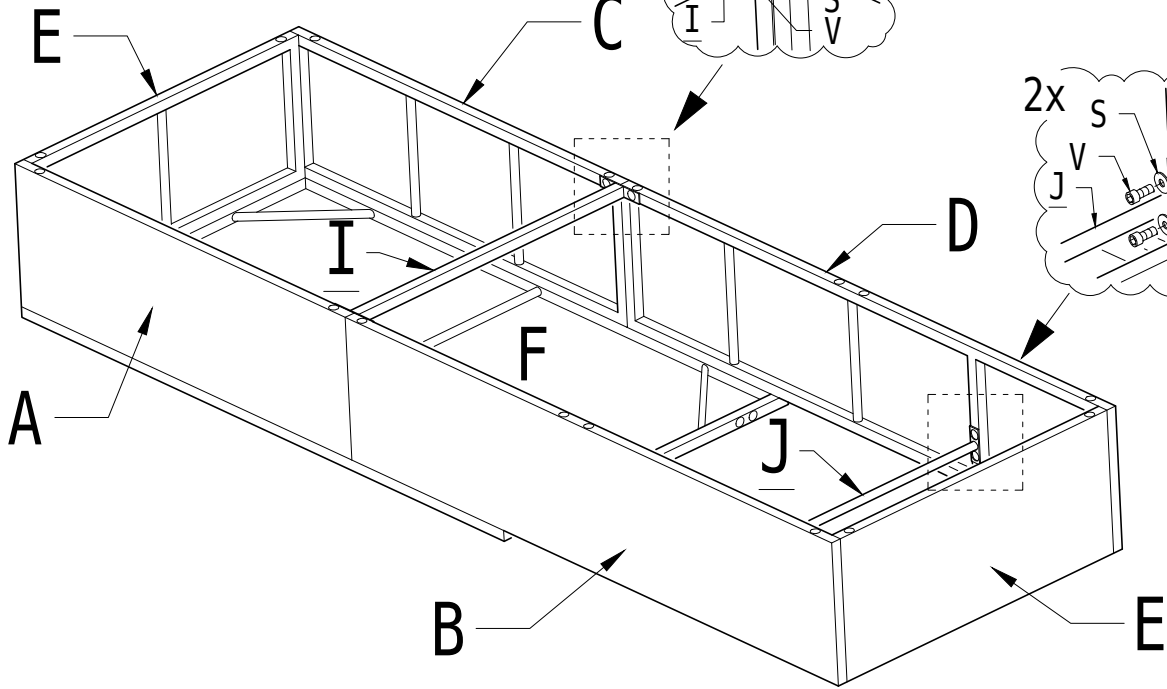
Step 5

H x 1



Step 6

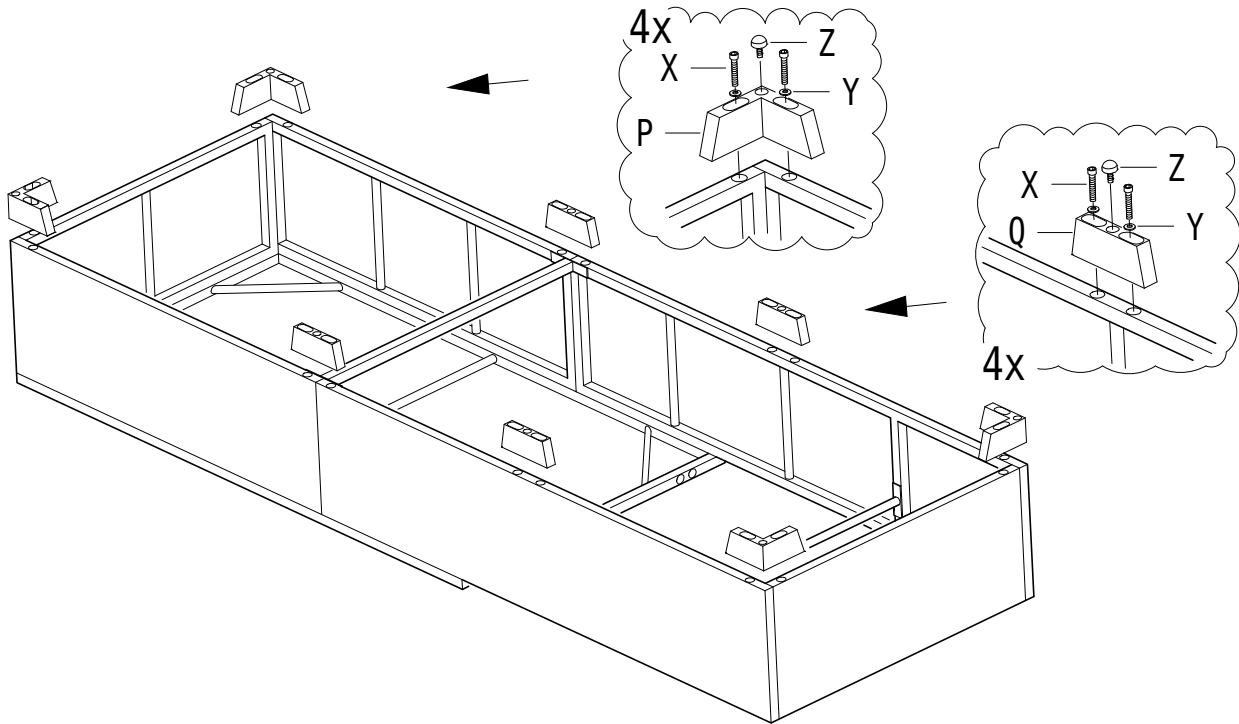
I x 1, J x 1



S: shim $\varnothing 16 \times 6.4 \times 1$ 8 pcs
 V: screw M6*15mm 8 pcs

Step 7

P: sofa foot 4 pcs
 Q: sofa foot 4 pcs
 X: screw M6*45mm 16 pcs
 Y: shim $\varnothing 11 \times 6.2 \times 1$ 16 pcs
 Z: adjustable screw 8 pcs

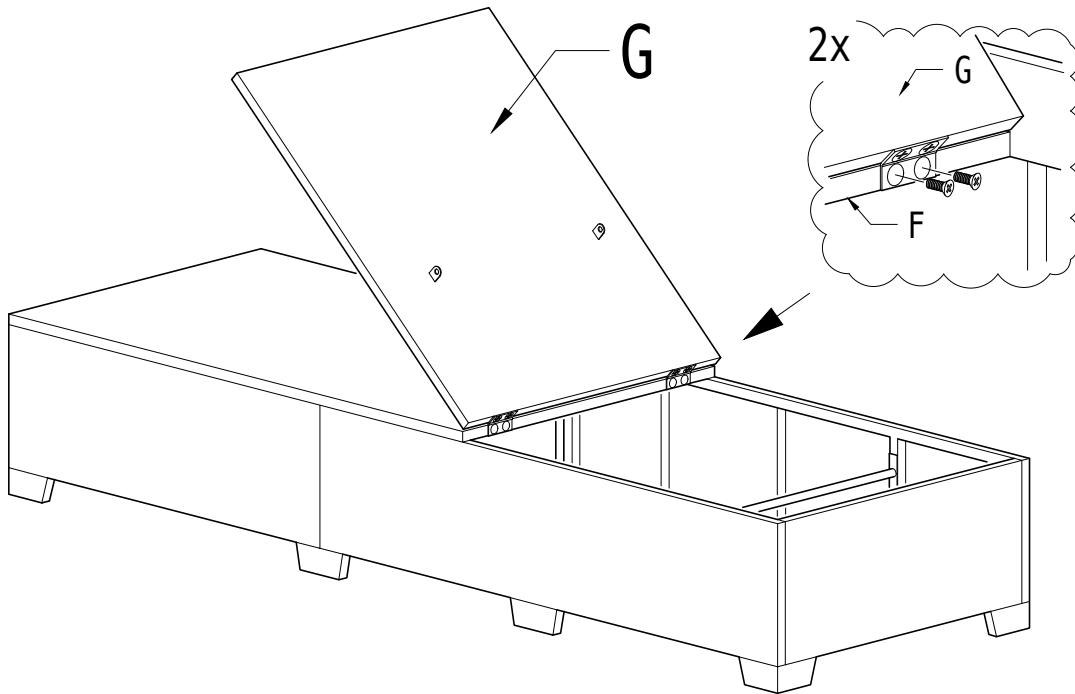


Step 8

G x 1

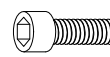
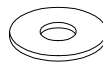


screw M5*10mm
4 pcs



Step 9

K x 1



S: shim $\varnothing 16 \times 6.4 \times 1$ 4 pcs
V: screw M6*15mm 2 pcs
rubber gasket M6 2 pcs
nut 2 pcs

