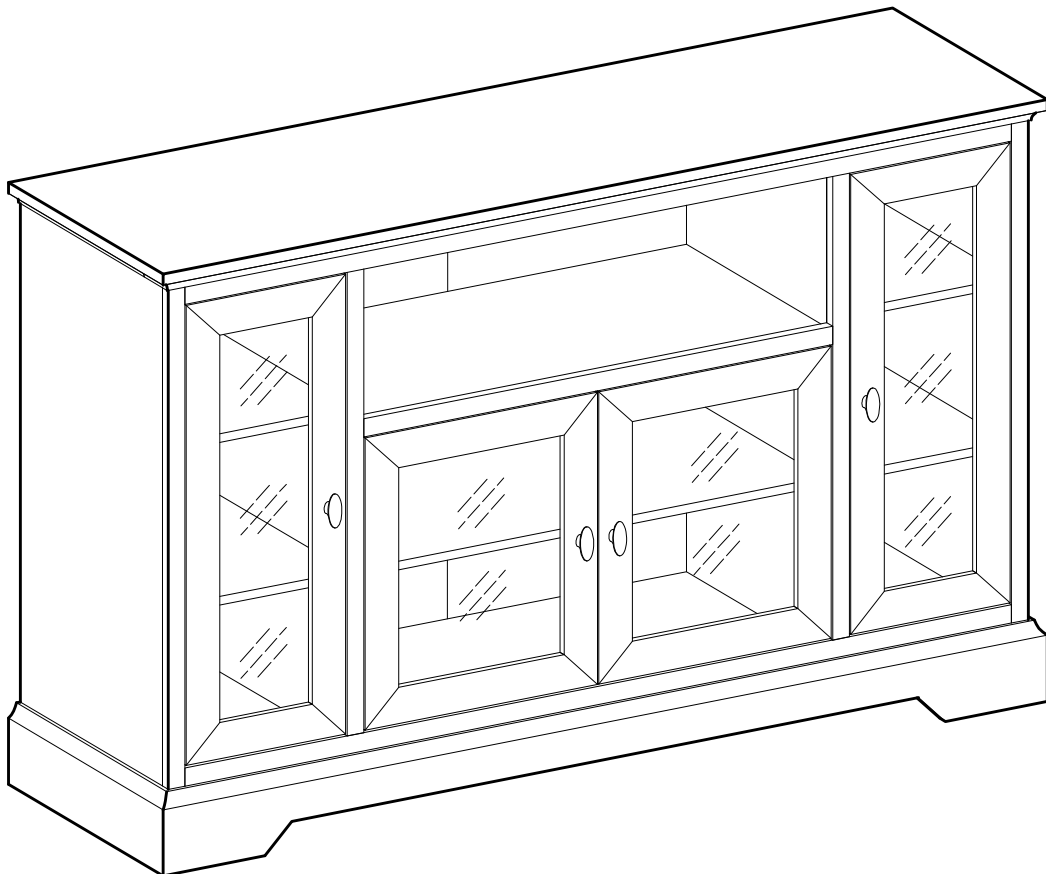
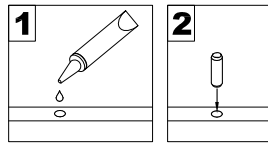


## Assembly Instructions

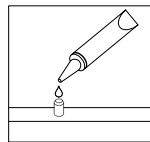


# General Assembly Guidelines

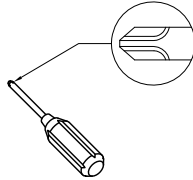
- I. Ensure that all parts and hardware are available before beginning assembly.
- II. Follow each step carefully to ensure the proper assembly of this product.
- III. Two people are recommended for ease in the assembly of this product.
- IV. The three main types of hardware used to assemble this product are : wood dowels , screws and bolts.
- V. The provided glue is to secure wood dowels in place . When first inserting dowels , locate the appropriate hole for the dowel , place a small amount of glue in the hole and insert the dowel . Wipe away excess glue immediately.



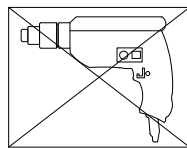
In future assembly steps when dowels are necessary to attach assembly parts together , place a small amount of glue on the end of the dowel before attaching parts together . Wipe away excess glue immediately.



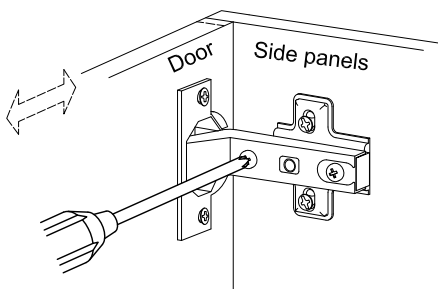
- VI. A Phillips head screwdriver is required for the assembly of this product .



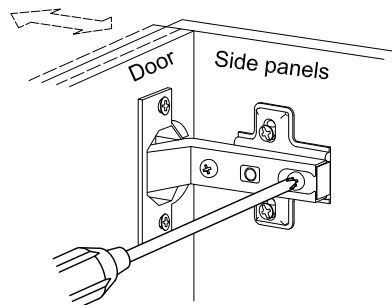
- Value: VII. Power tools should not be used to assemble this product .



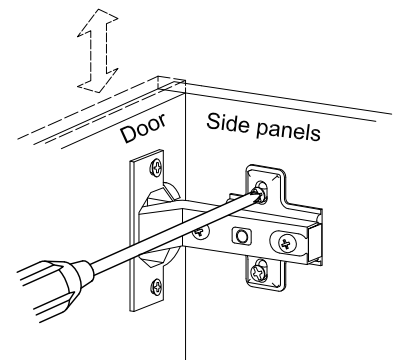
- Value: VII. Concealed hinges are three-way adjustable.



Horizontal  
by screw adjustment

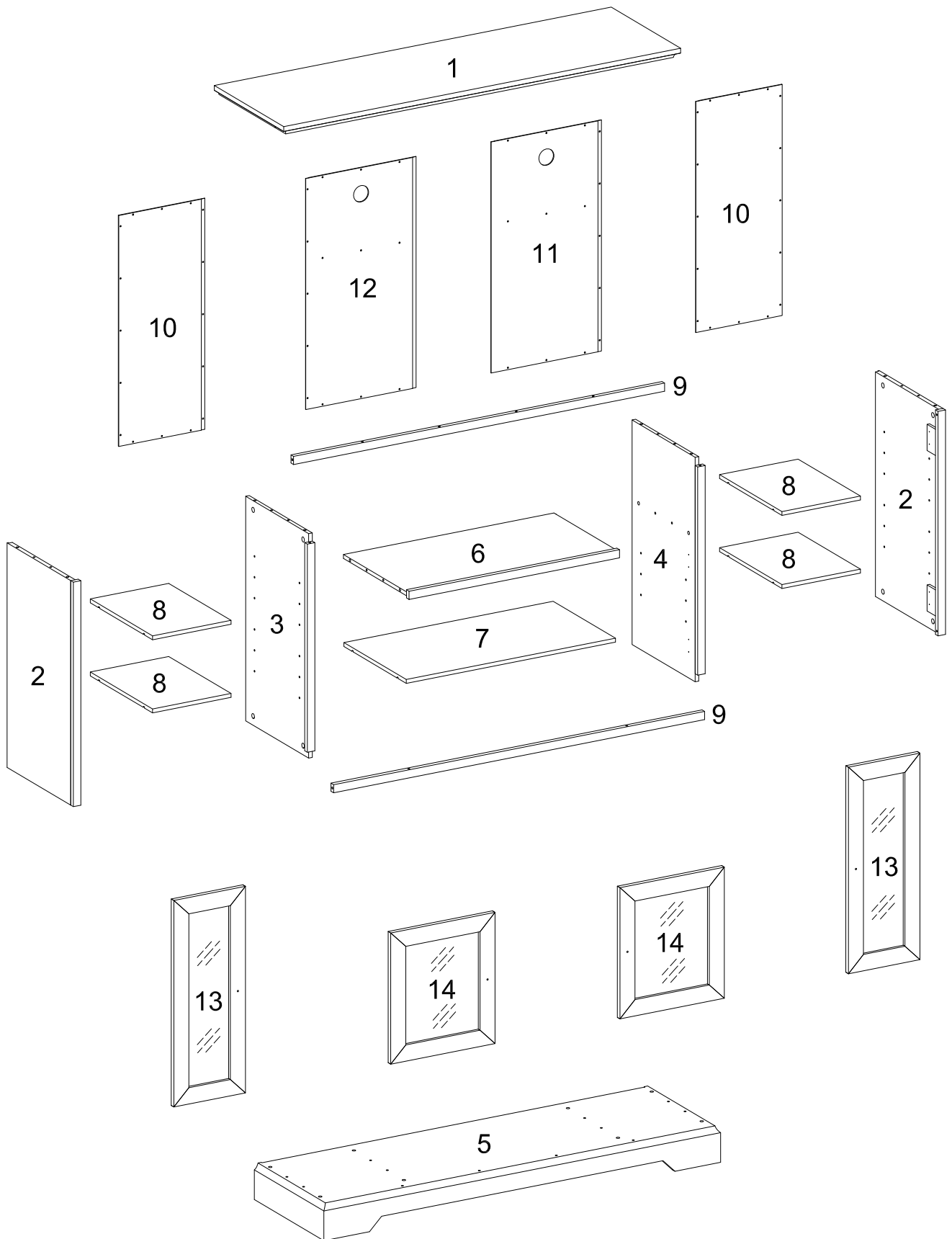


In-and-Out  
by loosening the hinge-arm  
mounting screw or via cam  
adjustment



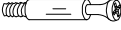


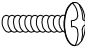
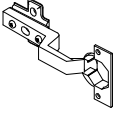
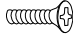
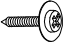
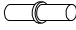

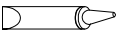


Vertical  
Via slots in the mounting  
plate or via cam adjustment

# Parts List

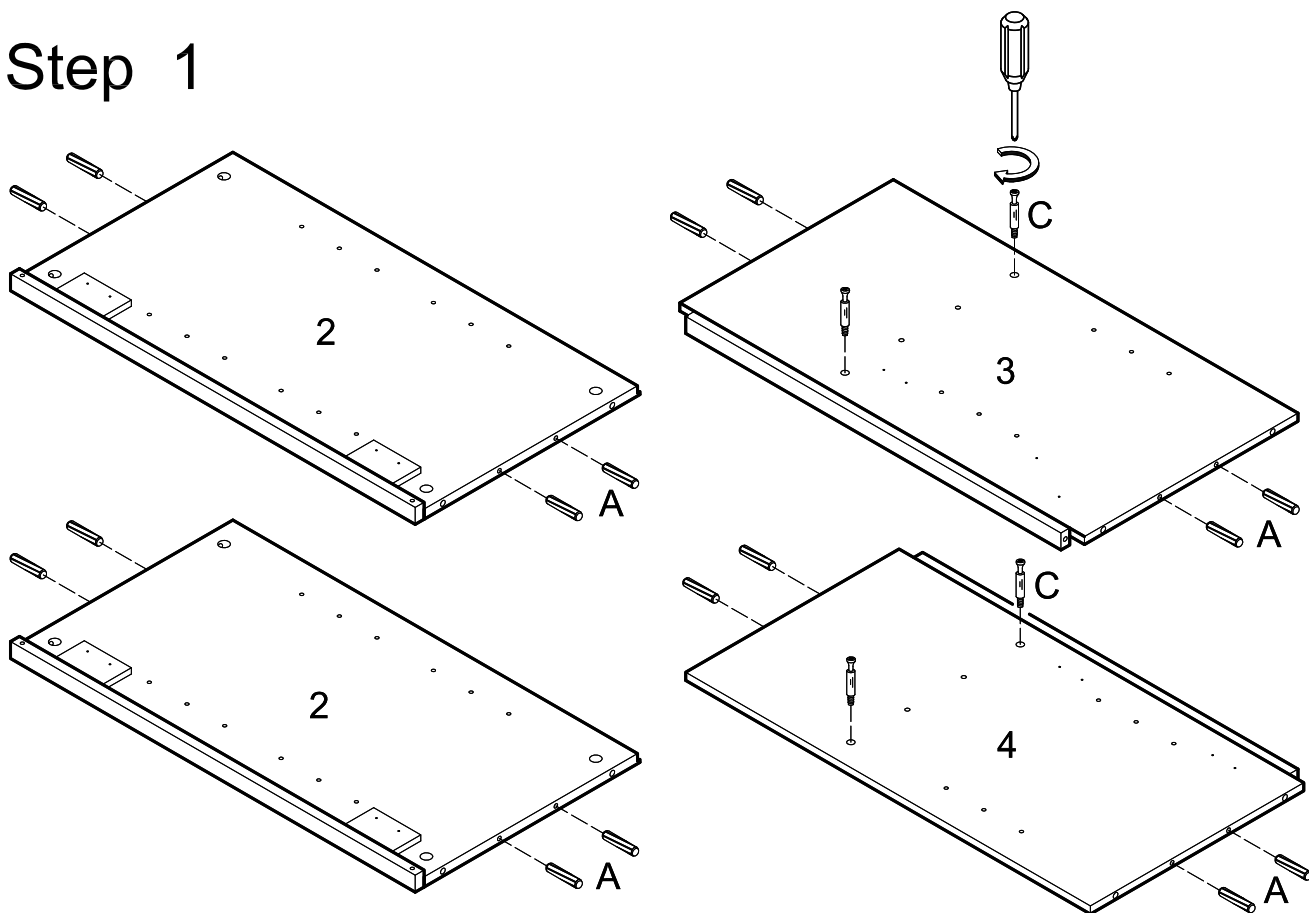


# Hardware List

A		Ø8x30mm	Large wooden dowel	32 pcs
B		Ø6x30mm	Small wooden dowel	4 pcs
C		Ø6x32mm	Cam bolt	20 pcs
D		Ø15x9.5mm	Cam lock	20 pcs
E		Ø24x21mm	Handel	4 pcs
F		Ø9mmx5/32"x3/4"	Bolt	4 pcs
H			Hinge	8 pcs
J		Ø4x12mm	Large screw	32 pcs
L		Ø7x3x12mm	Screw	50 pcs
M		Ø8x5x16mm	Shelf support pin	20 pcs
N			Sticker	16 pcs
P			Glue tube	3 pcs

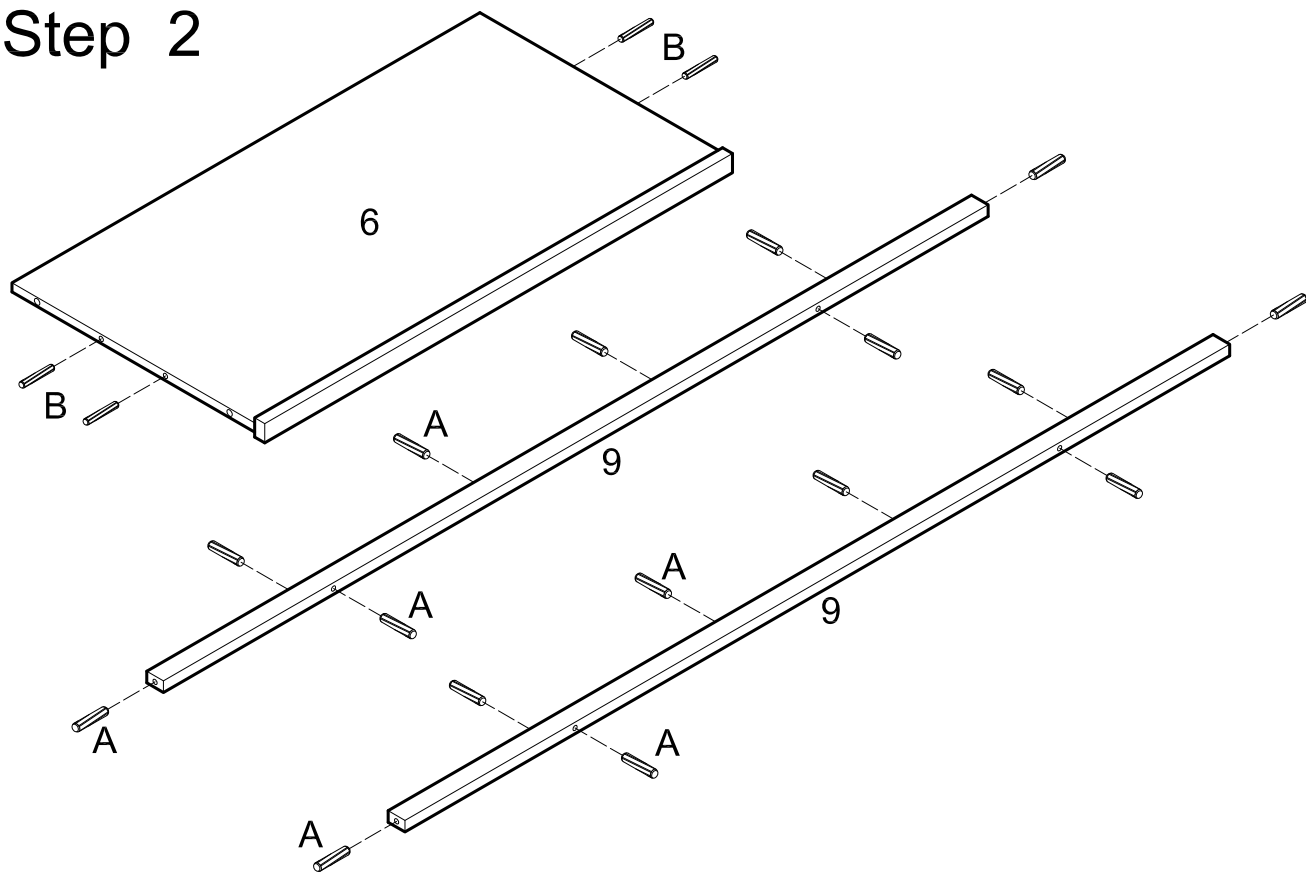
*The hardware quantities listed above are required for proper assembly.  
Some extra hardware may also have been included.*

# Step 1



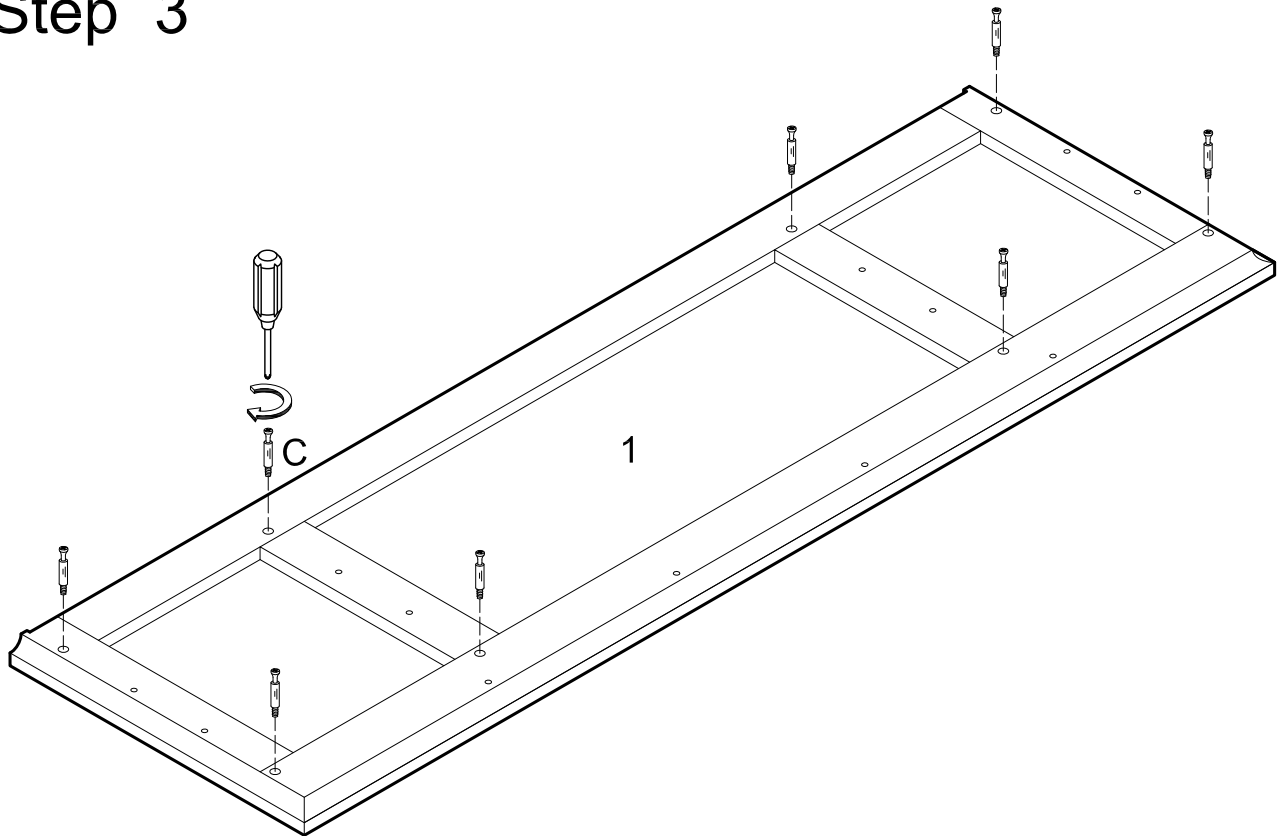
Insert dowels (A) into panels (2,3,4). Screw cam bolts (C) into panels (3,4).

# Step 2



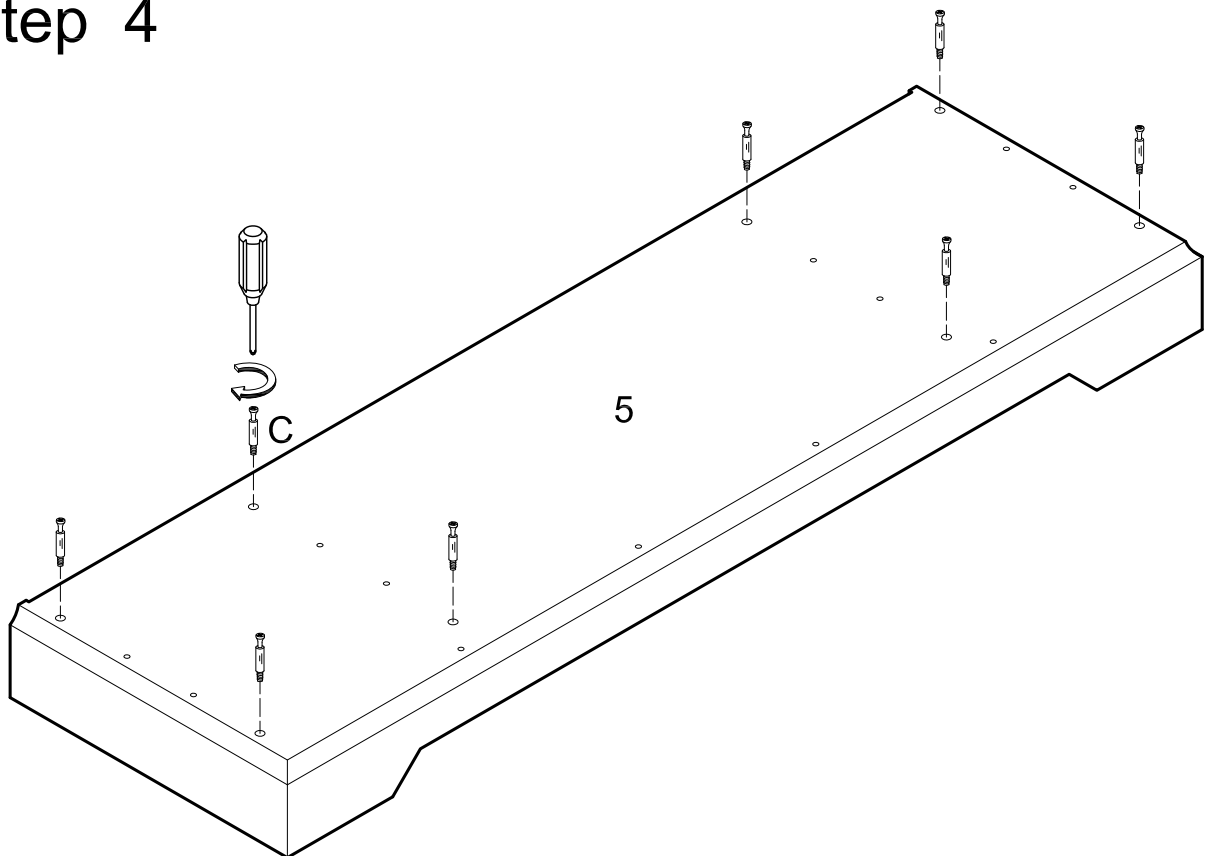
Insert dowels (B) into panel (6). Insert dowels (A) into slats (9).

## Step 3



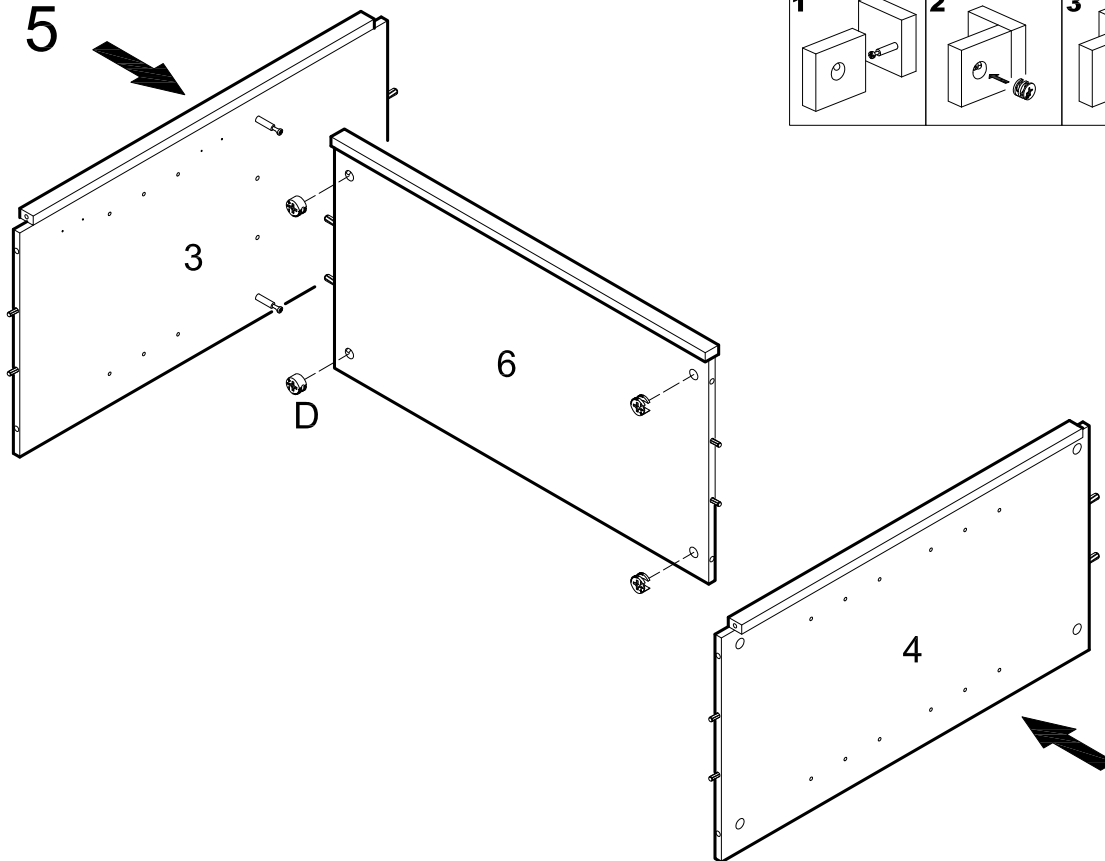
Screw cam bolts (C) into top panel (1).

## Step 4



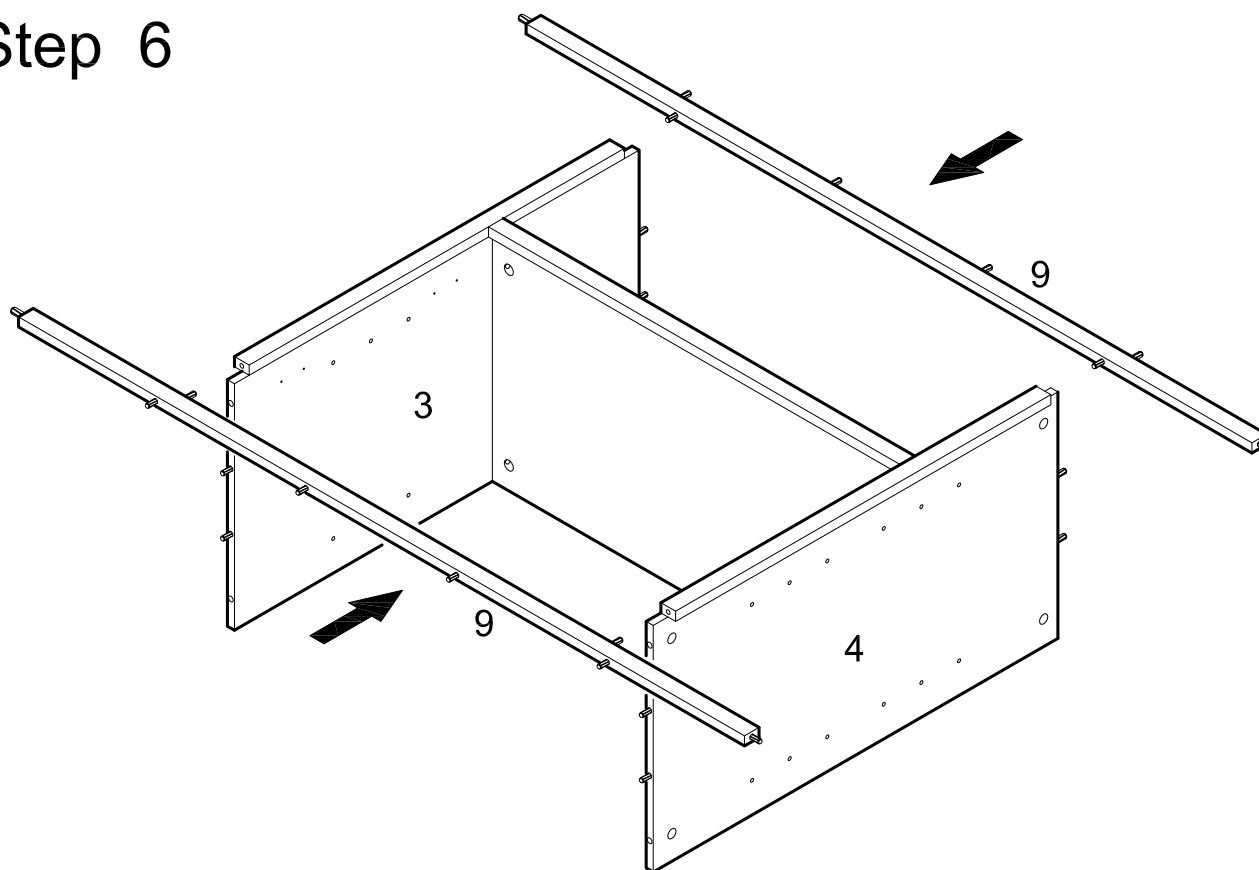
Screw cam bolts (C) into bottom panel (5).

## Step 5



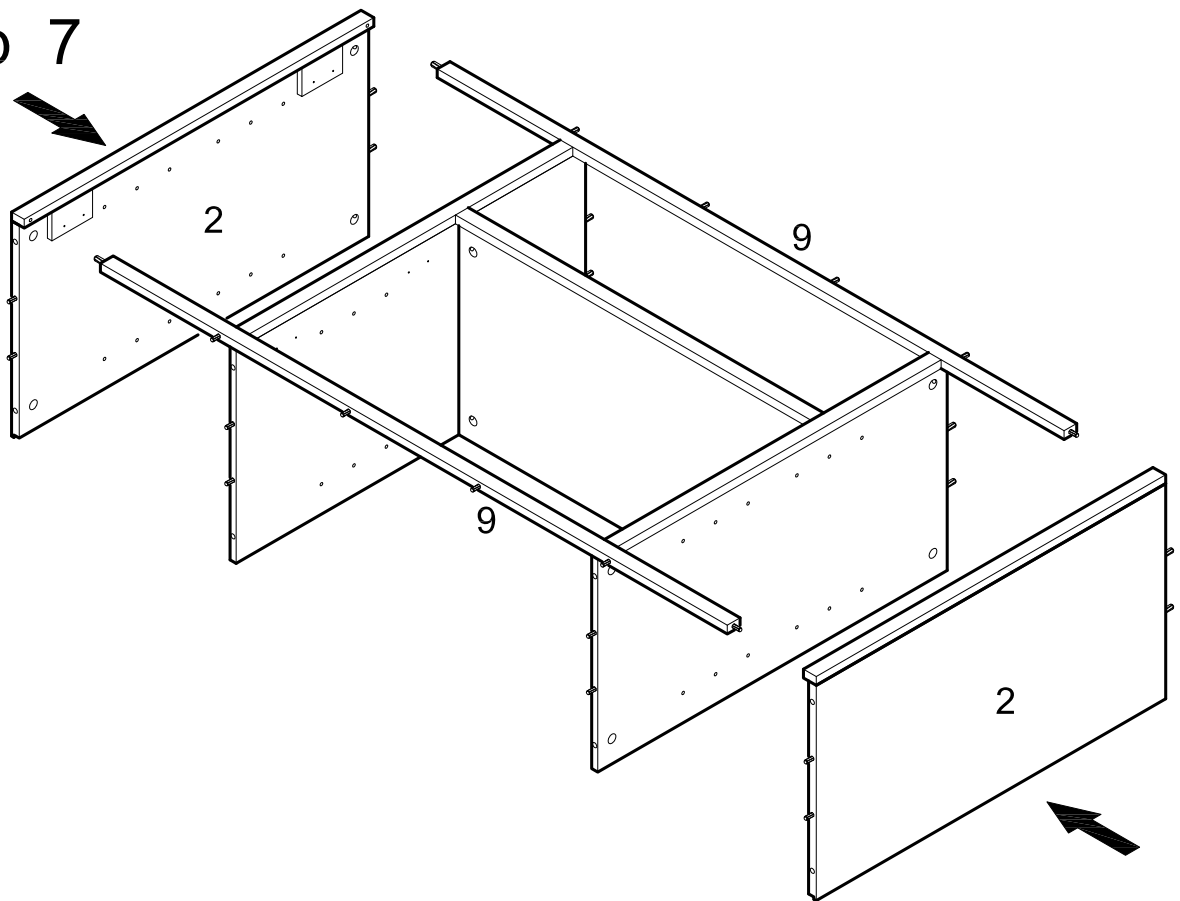
Attach panels (3,4) to panel (6) using cam bolts and dowels as guides. Secure panels (3,4) to panel (6) using cam locks (D). Tighten cam locks (D) with a screwdriver.

## Step 6



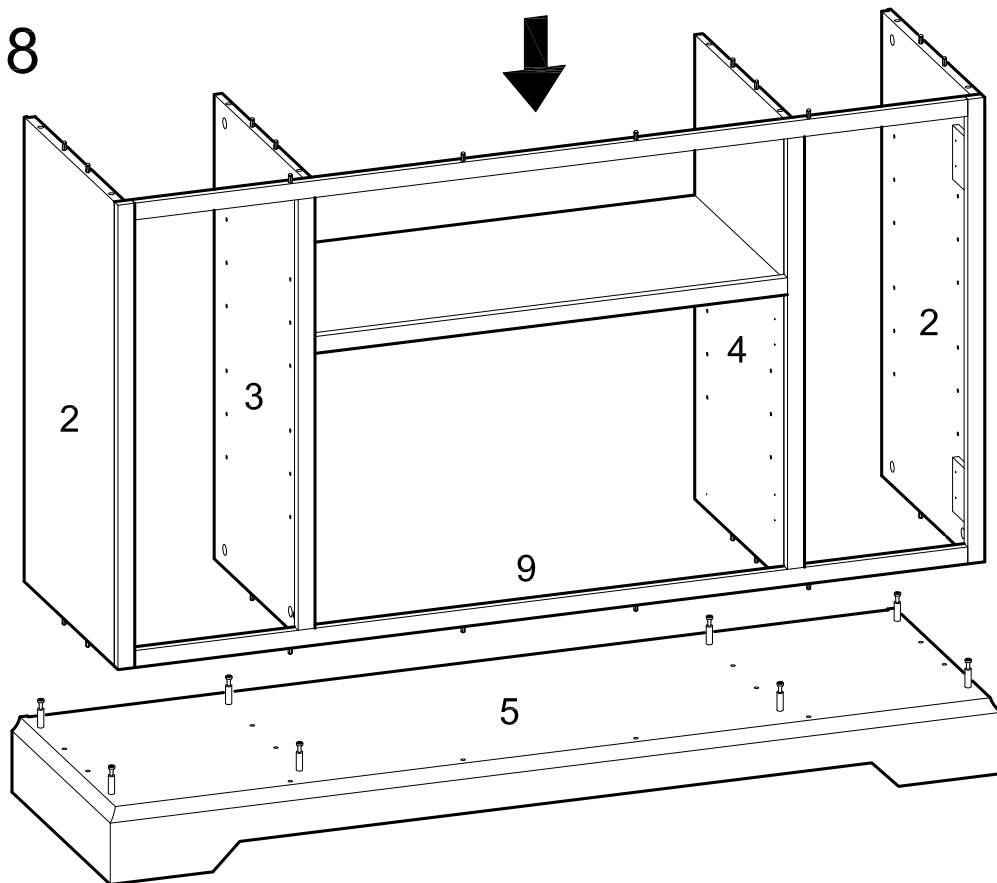
Attach slats (9) to panels (3,4) using cam bolts and dowels as guides.

## Step 7



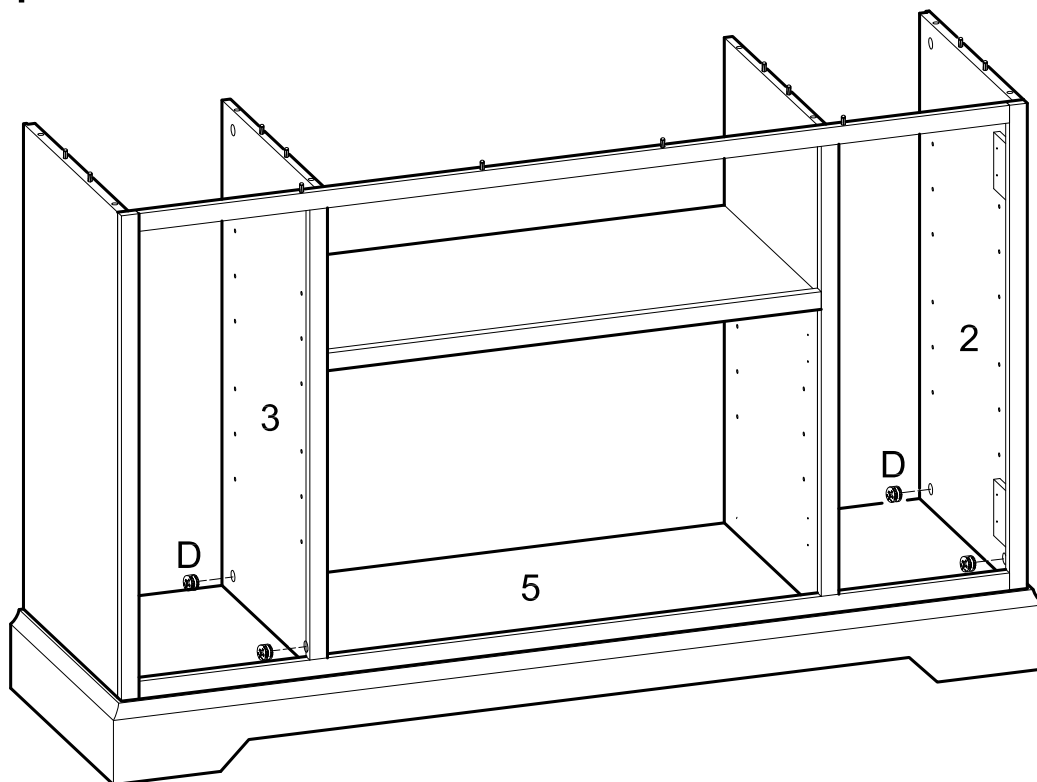
Attach panels (2) to slats (9) using dowels as guides.

## Step 8



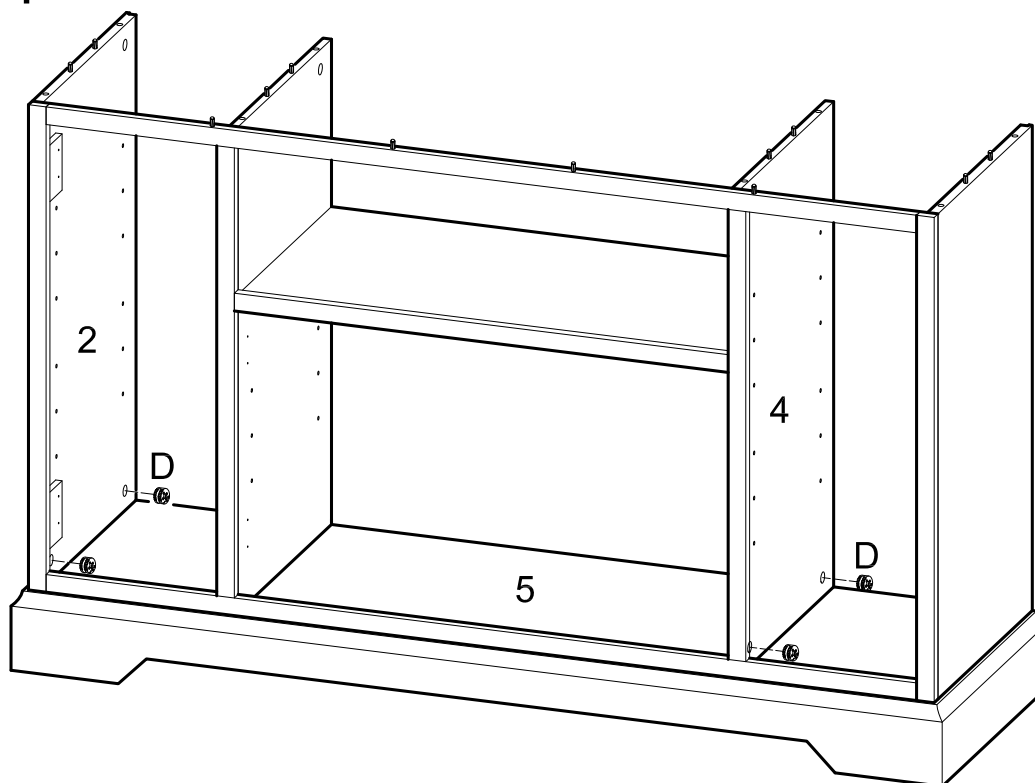
Attach the assembly from the previous step to bottom panel (5) using cam bolts and dowels as guides.

## Step 9



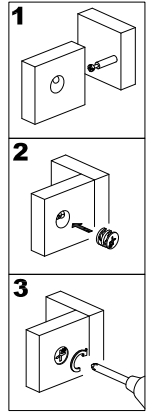
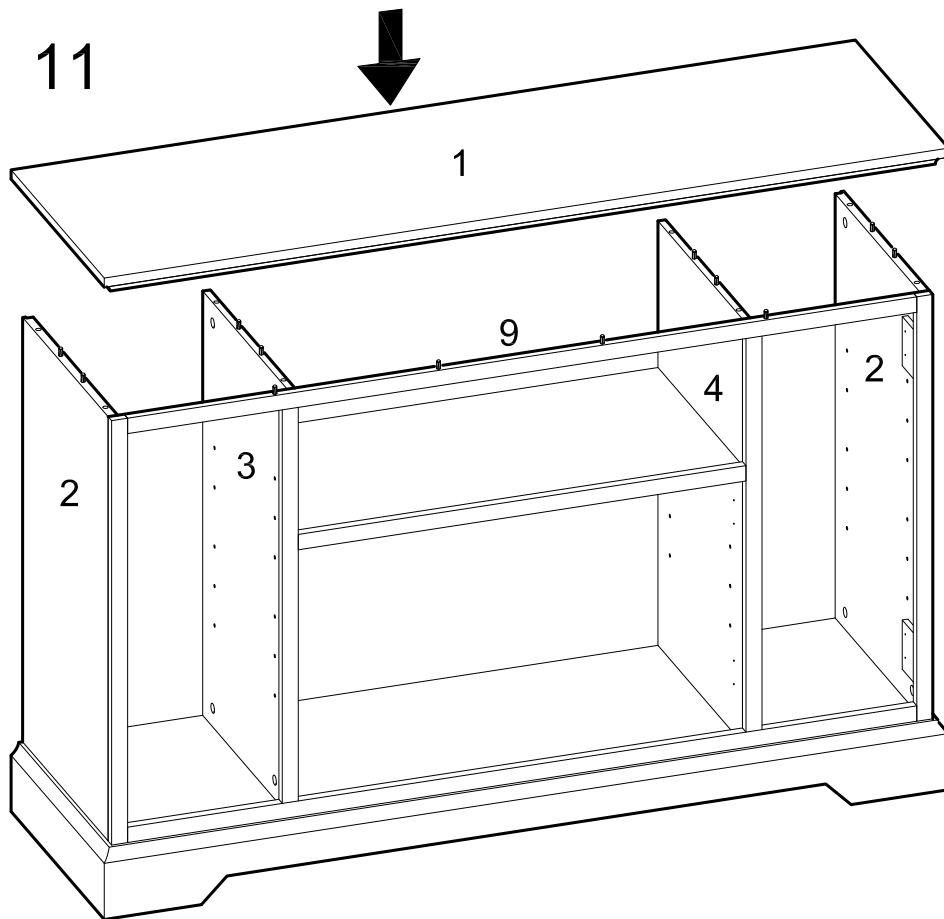
Secure panels (2,3) to bottom panel (5) using cam locks (D). Tighten cam locks (D) with a screwdriver.

## Step 10



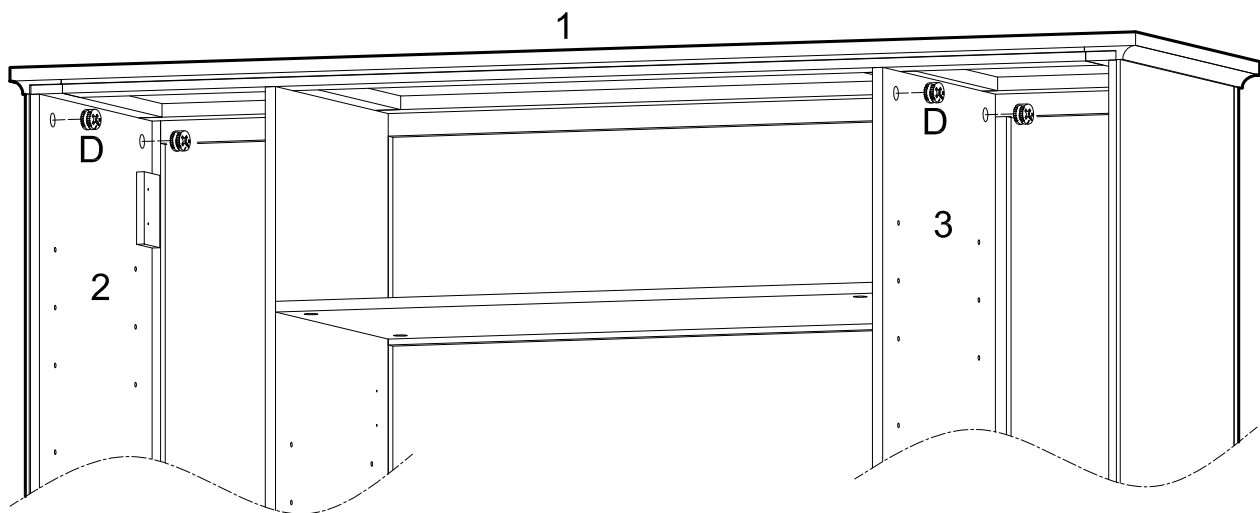
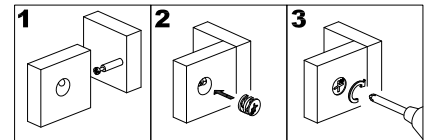
Secure panels (2,4) to bottom panel (5) using cam locks (D). Tighten cam locks (D) with a screwdriver.

## Step 11



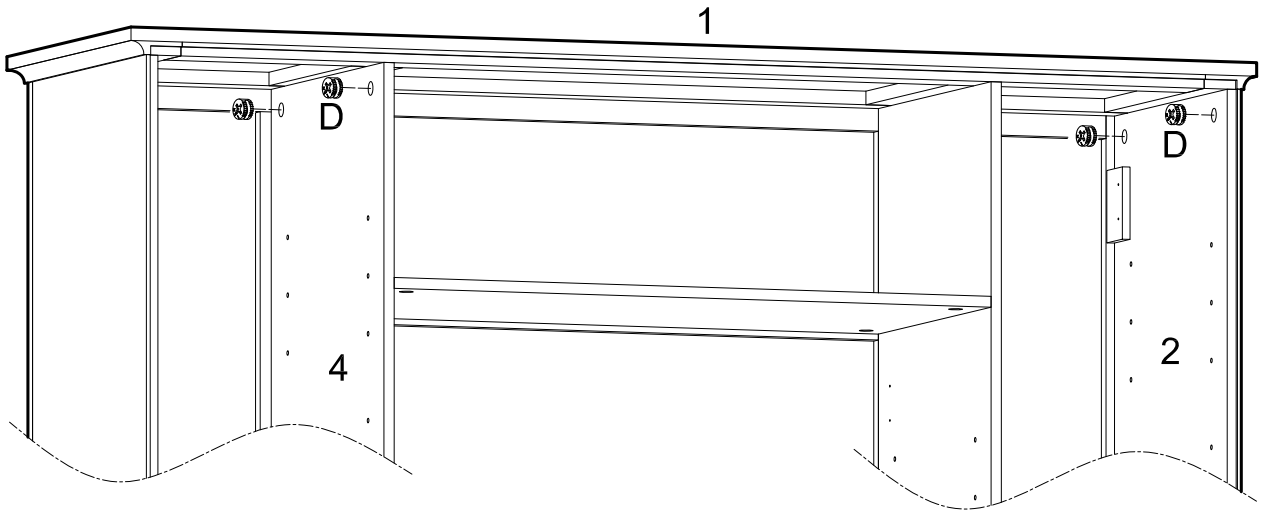
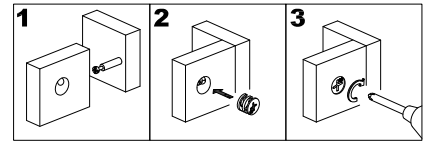
Carefully fit top panel (1) into place using cam bolts and dowels as guides.

## Step 12



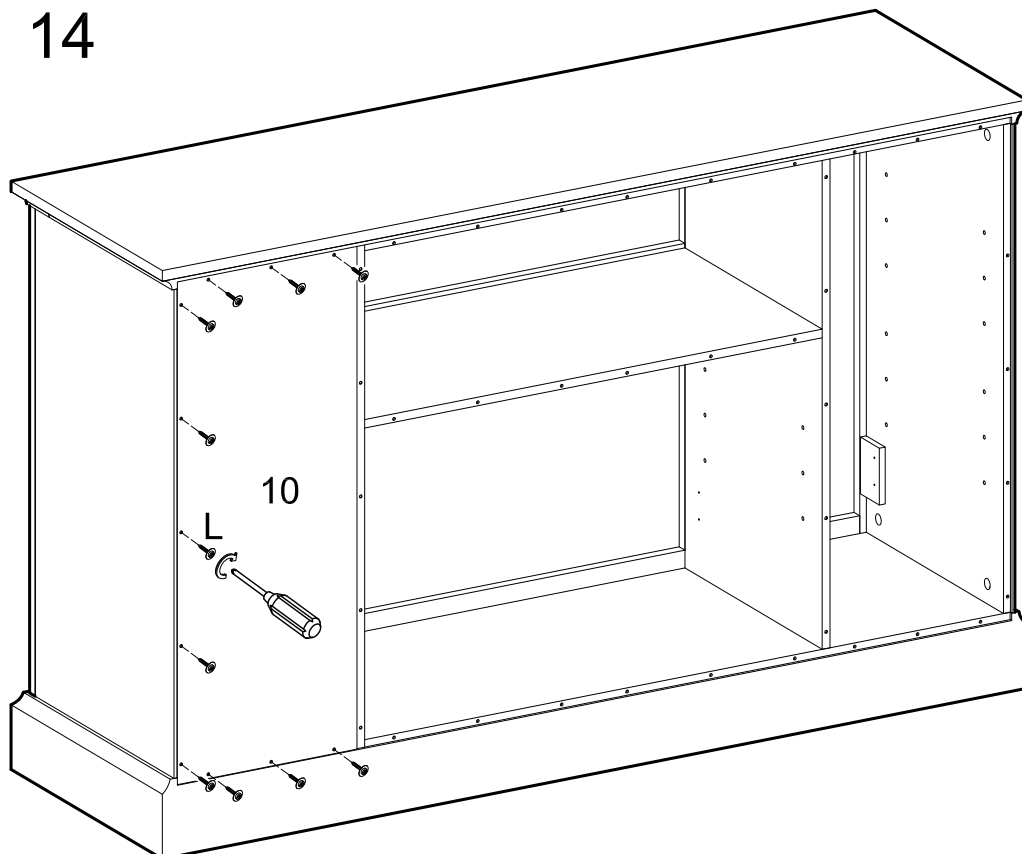
Secure top panel (1) to panels (2,3) using cam locks (D). Tighten cam locks (D) with a screwdriver.

## Step 13



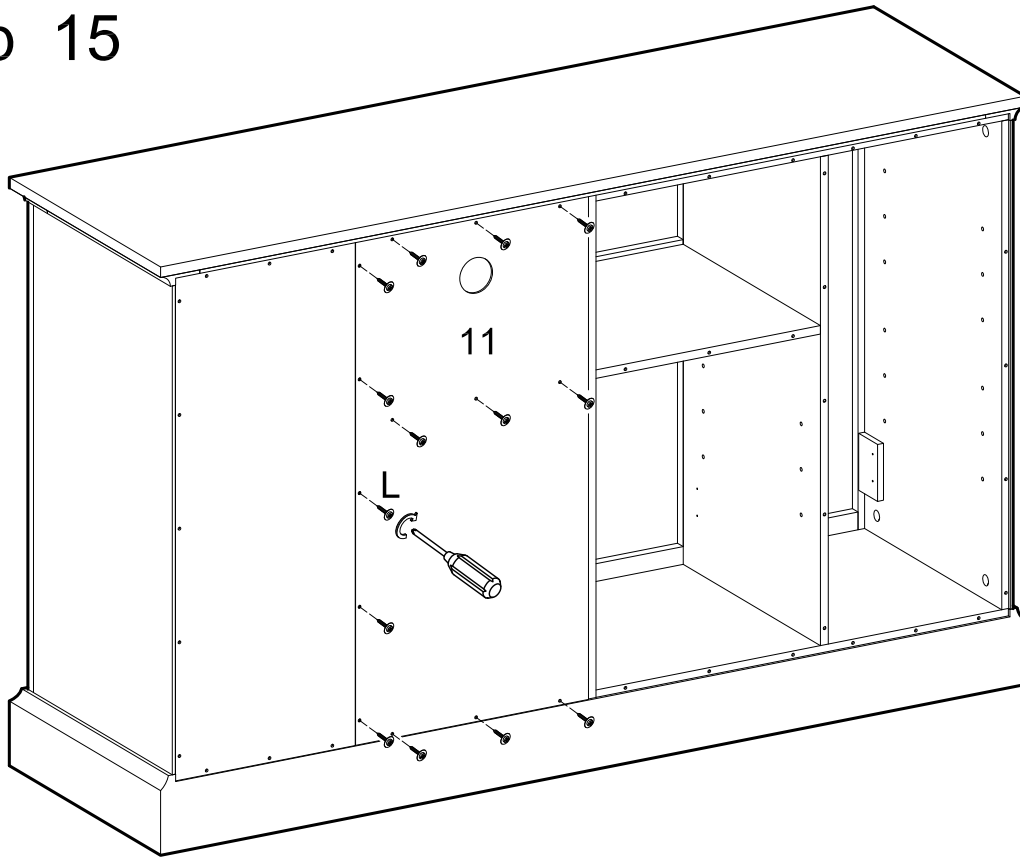
Secure top panel (1) to panels (2,4) using cam locks (D). Tighten cam locks (D) with a screwdriver.

## Step 14



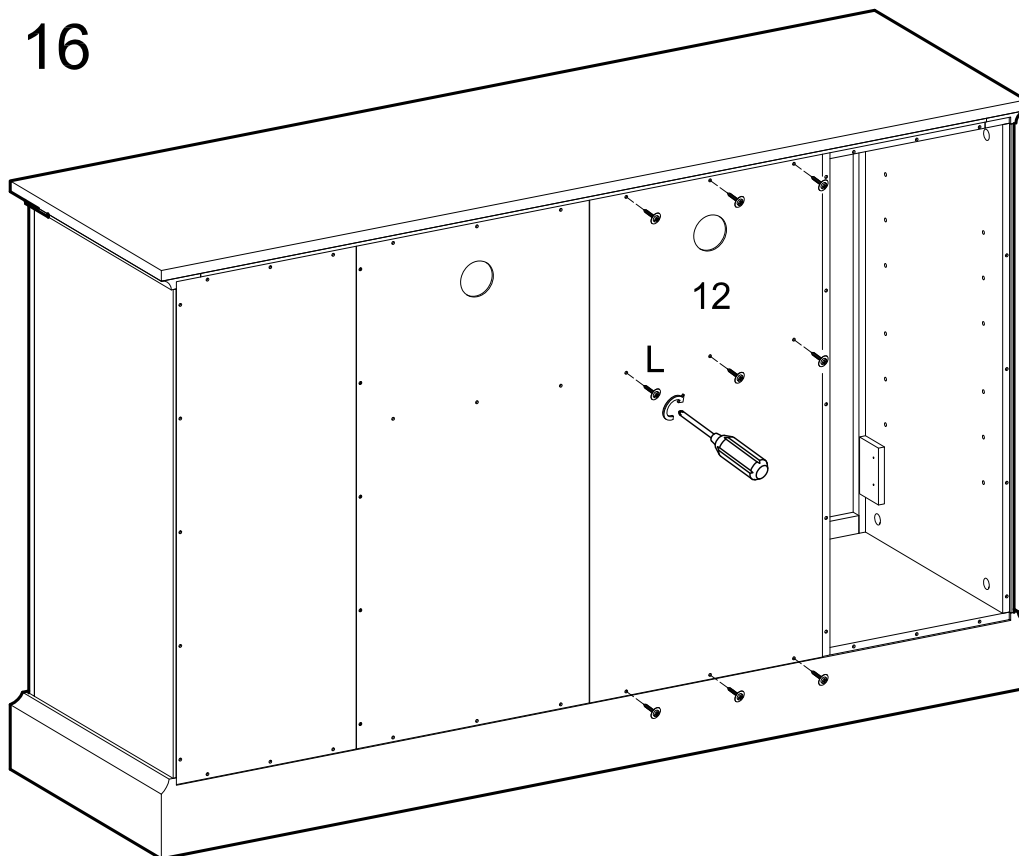
Attach panel (10) to the back of the console using screws (L).

## Step 15



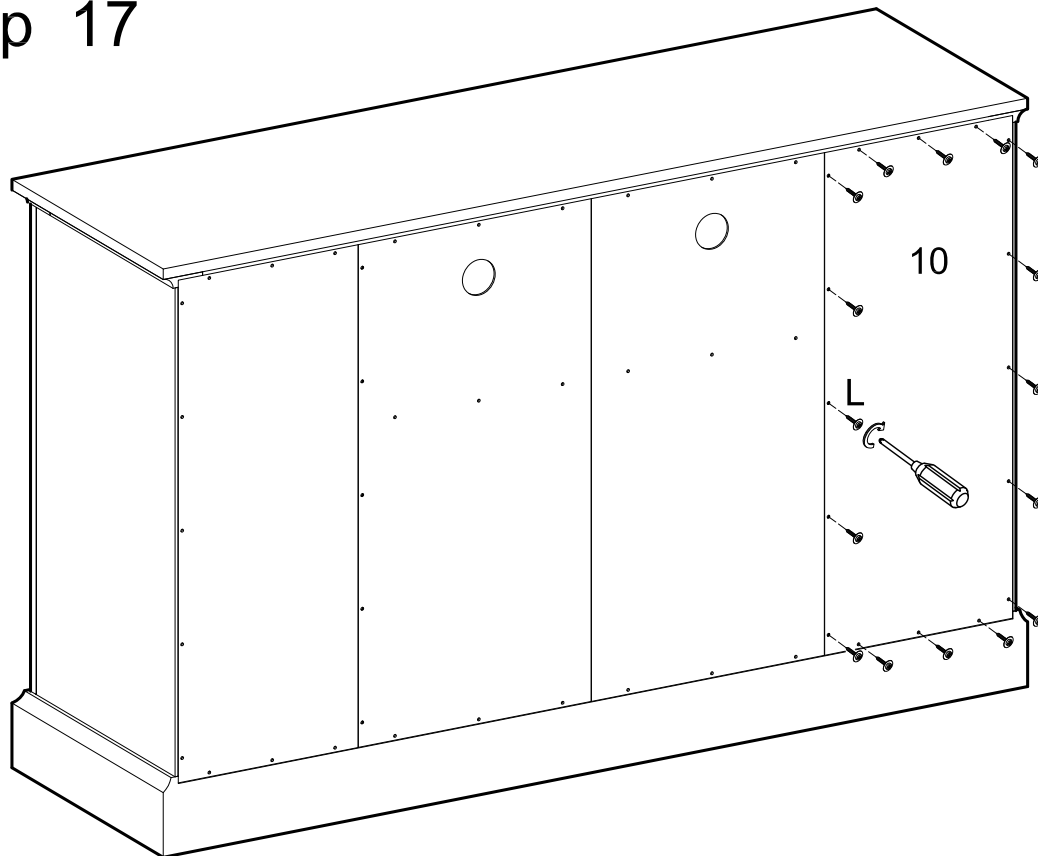
Attach panel (11) to the back of the console using screws (L).

## Step 16



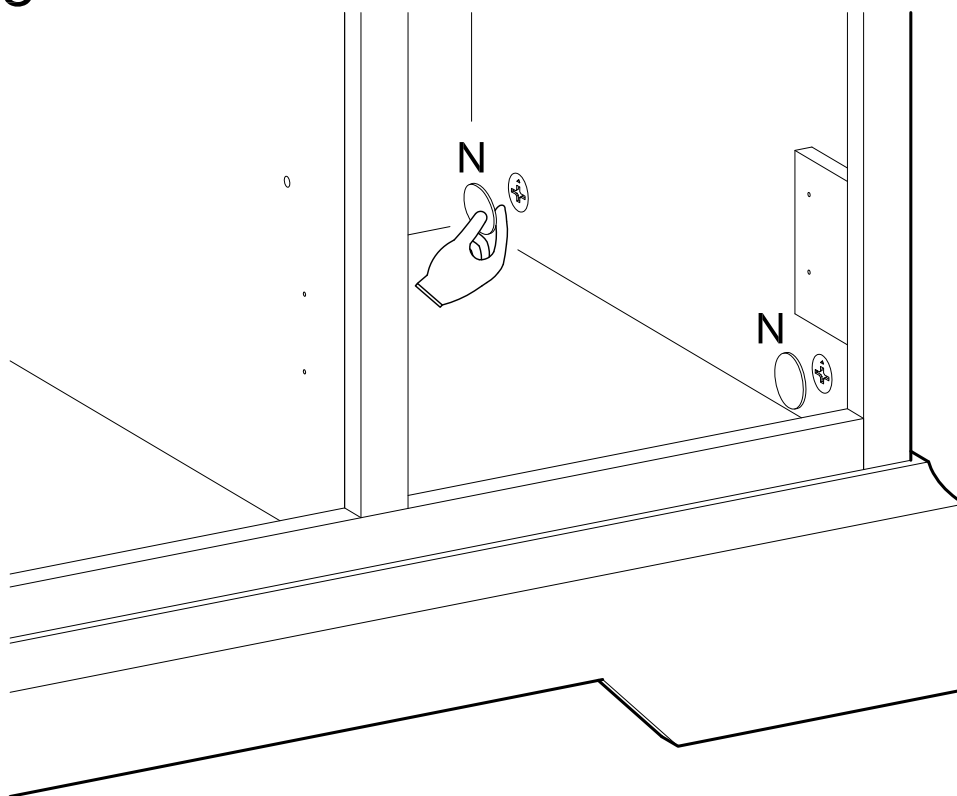
Attach panel (12) to the back of the console using screws (L).

## Step 17



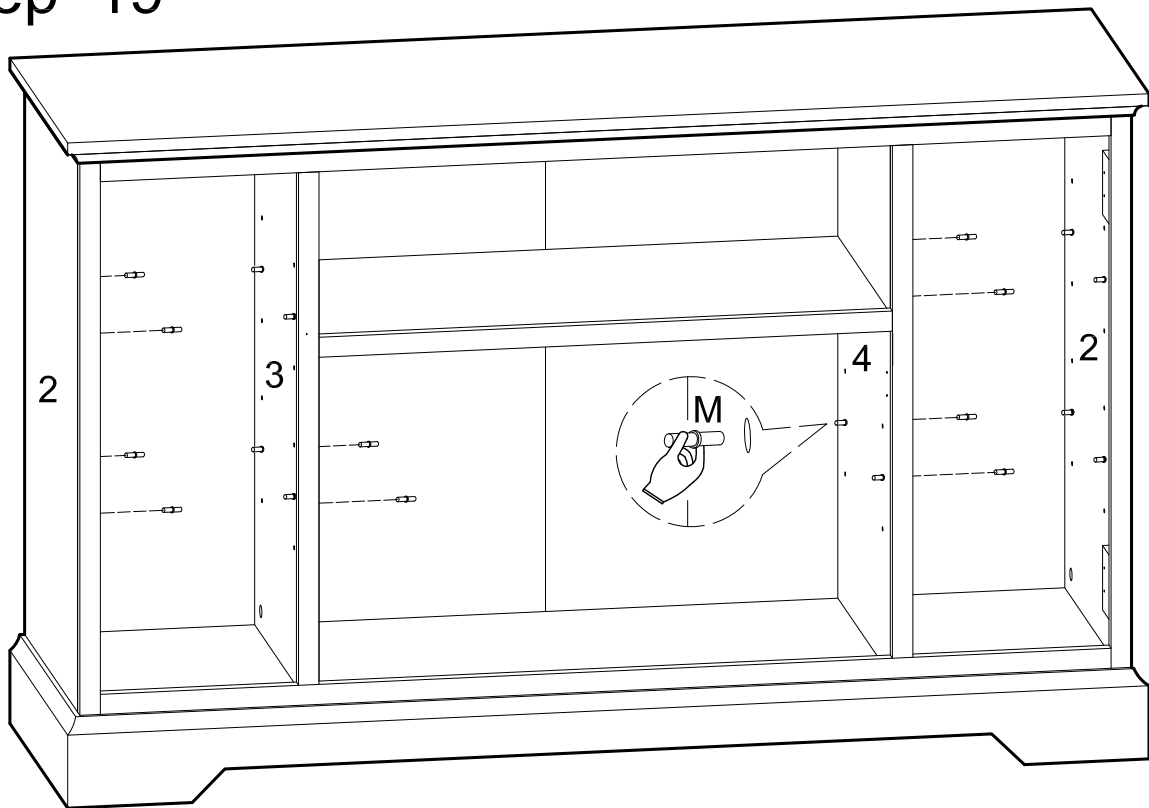
Attach second panel (10) to the back of the console using screws (L).

## Step 18



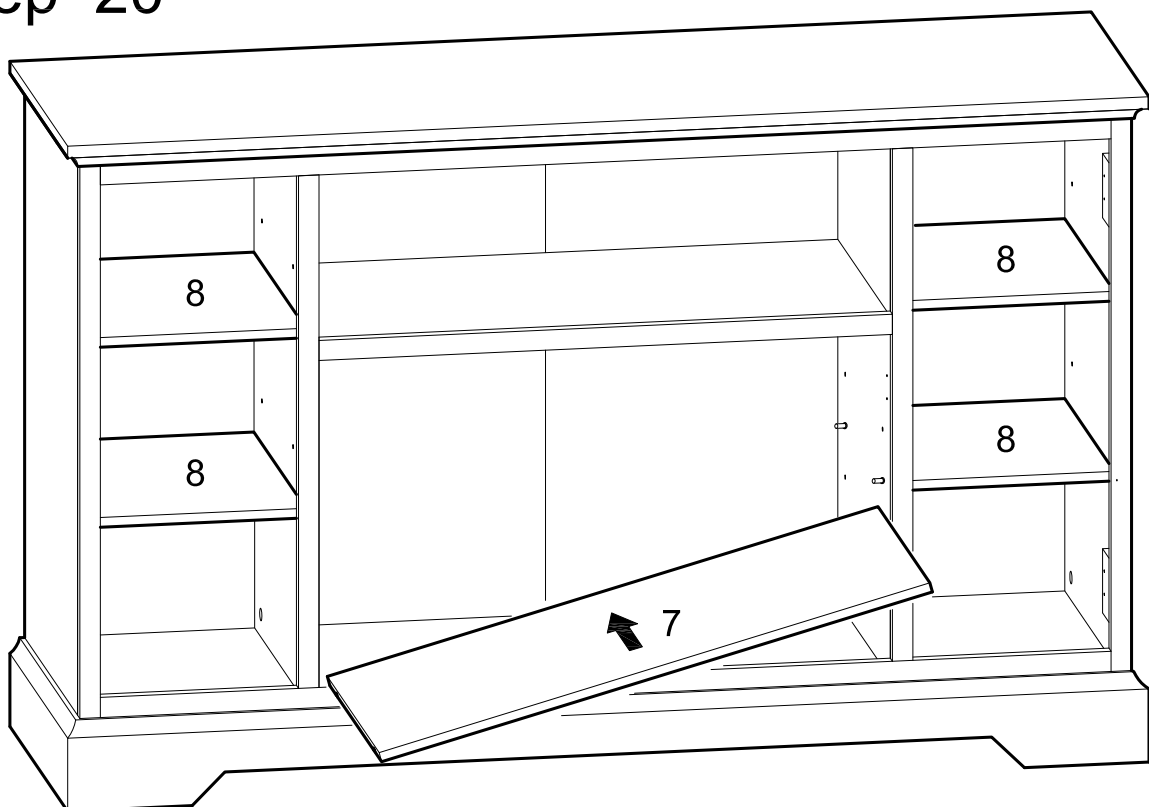
Cover all visible cam locks with stickers (N) as desired.

## Step 19



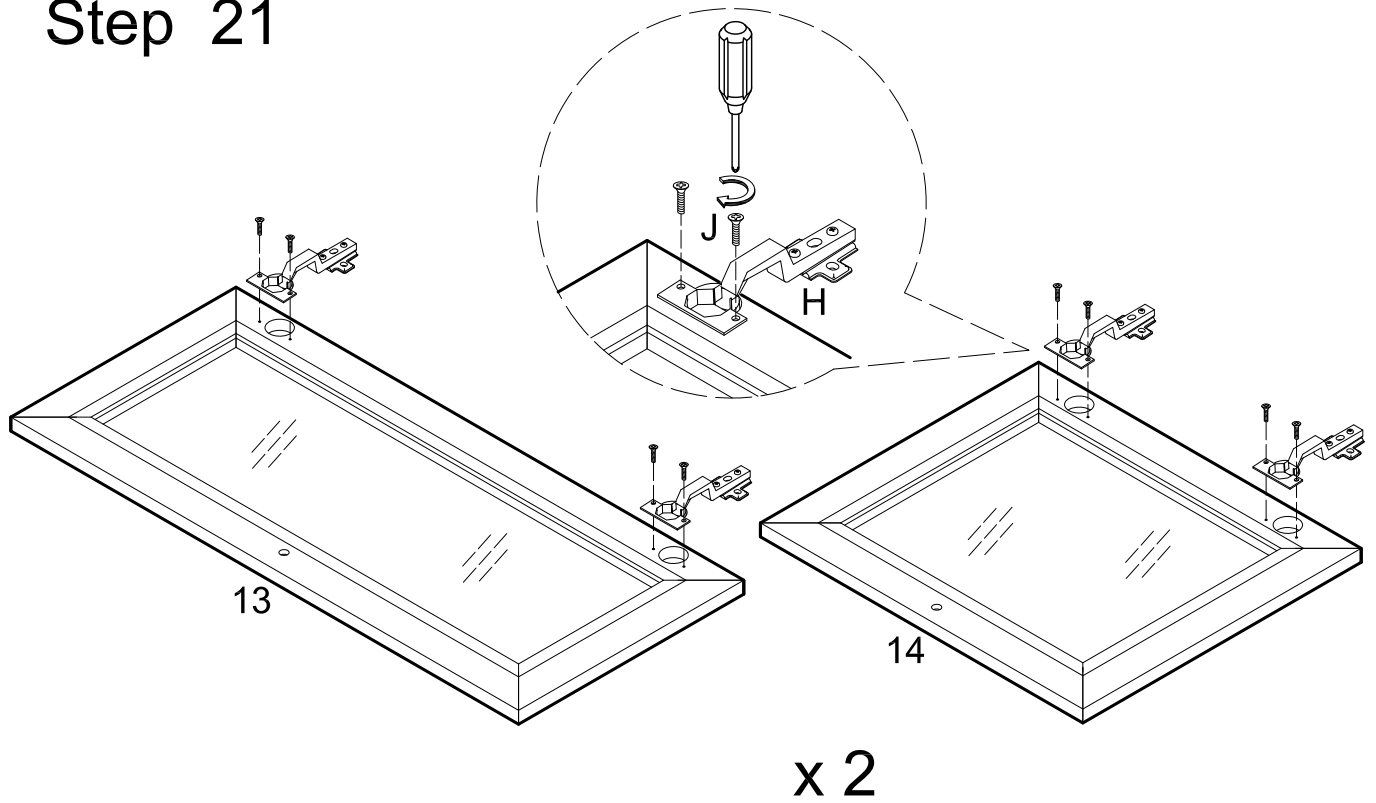
Insert shelf support pins (M) into panels (2,3,4) at desired shelf heights.

## Step 20



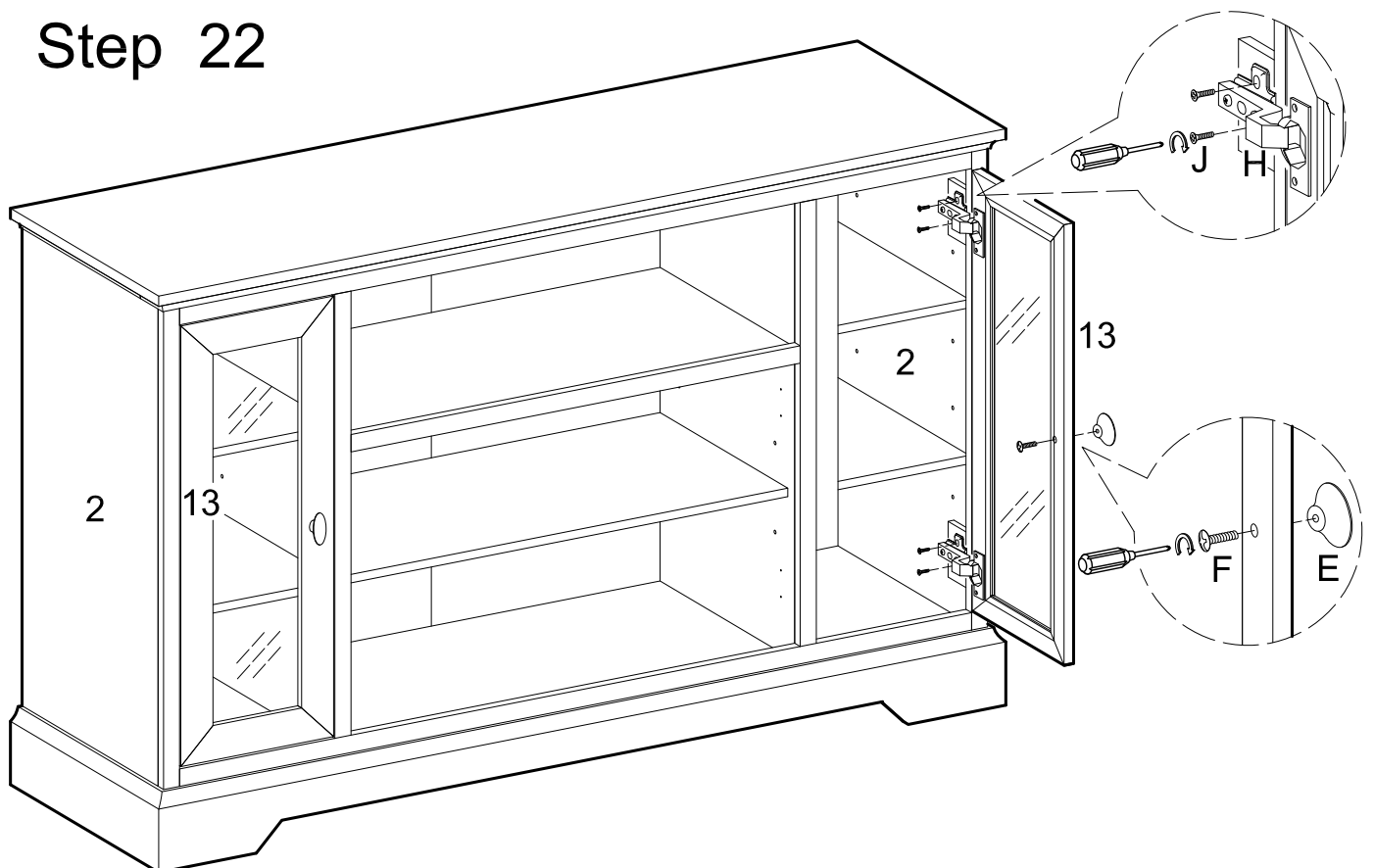
Carefully place shelves (7,8) in console. Shelves (7,8) will rest on the shelf support pins.

## Step 21



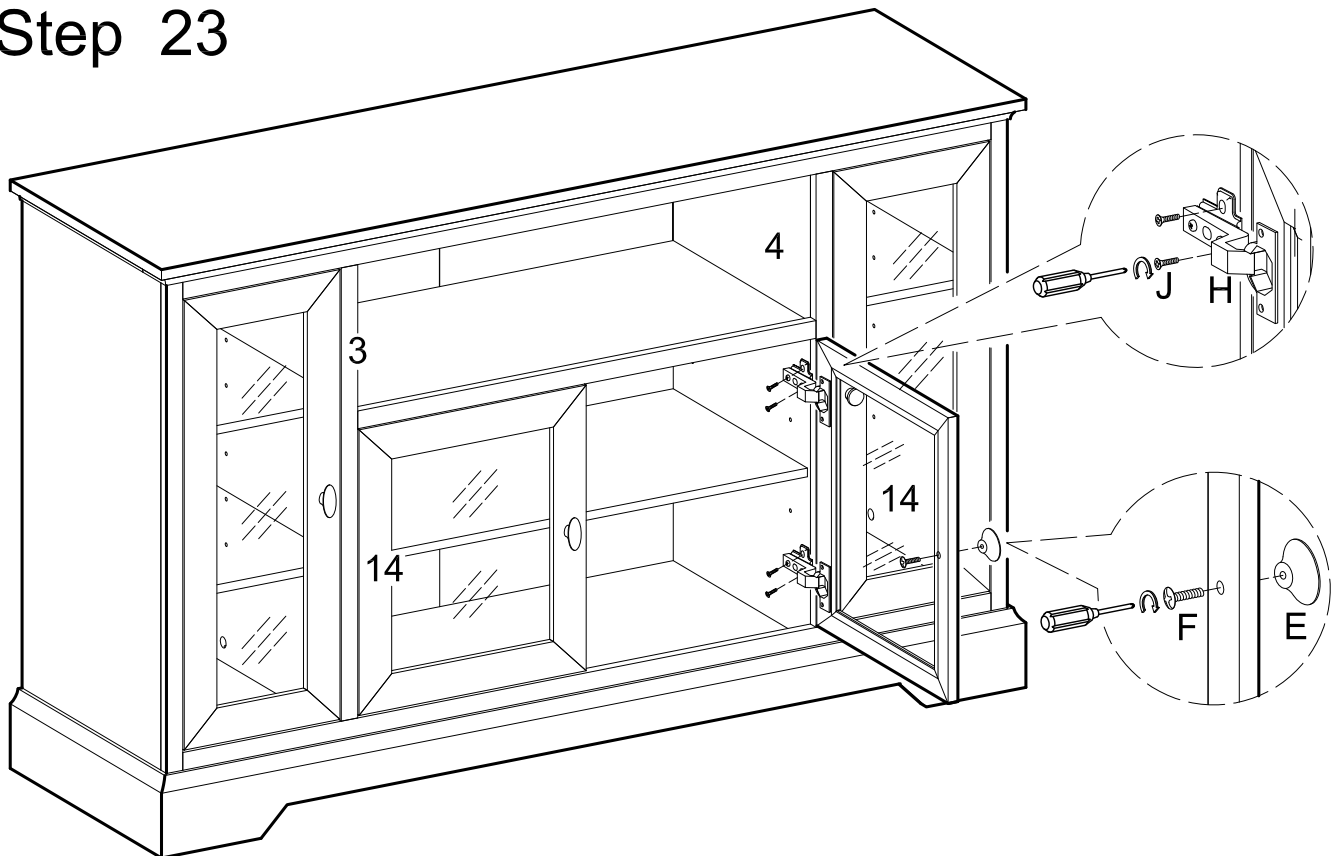
Attach hinges (H) to doors (13,14) using screws (J). Repeat this step for the second set of doors.

## Step 22



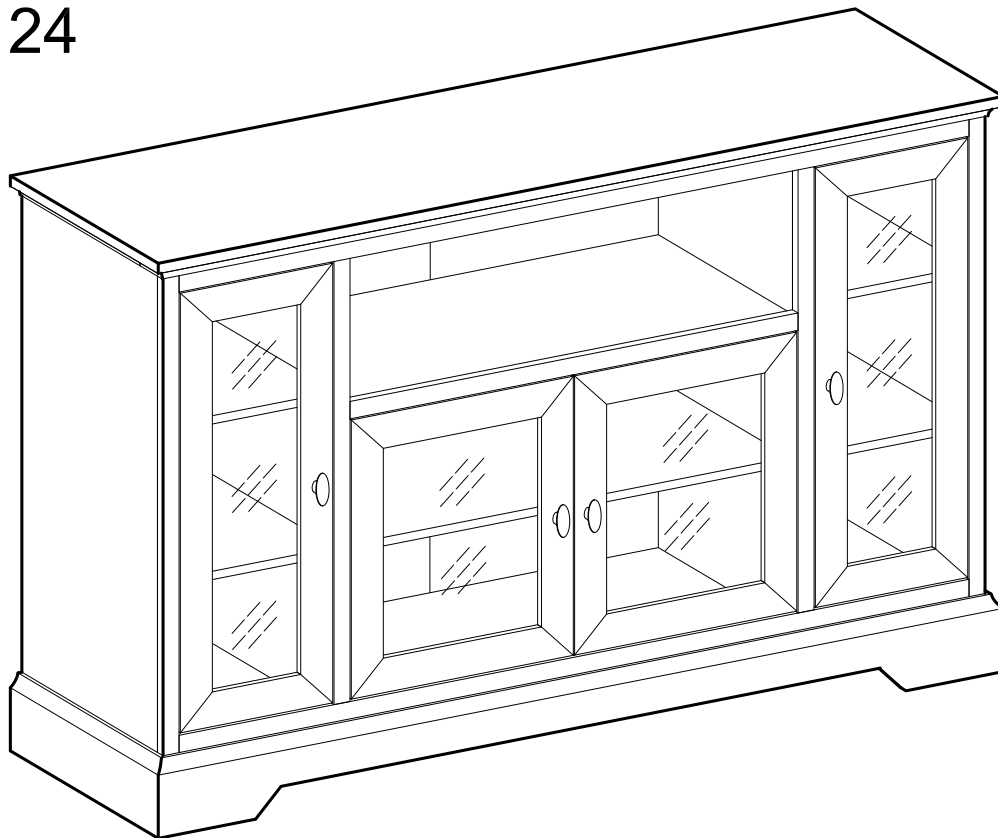
Attach doors (13) to panels (2) using screws (J) at hinges (H). See page 2 for specific instructions on how to adjust hinges so doors are aligned with console as desired. Attach handles (E) to doors (13) using bolts (F).

## Step 23



Attach doors (14) to panels (3,4) using screws (J) at hinges (H). See page 2 for specific instructions on how to adjust hinges so doors are aligned with console as desired. Attach handles (E) to doors (14) using bolts (F).

## Step 24



**Final Assembly**