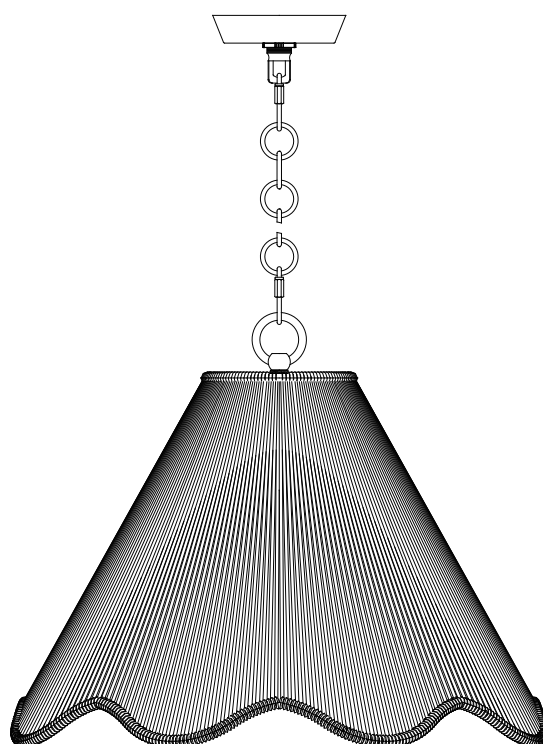


110V

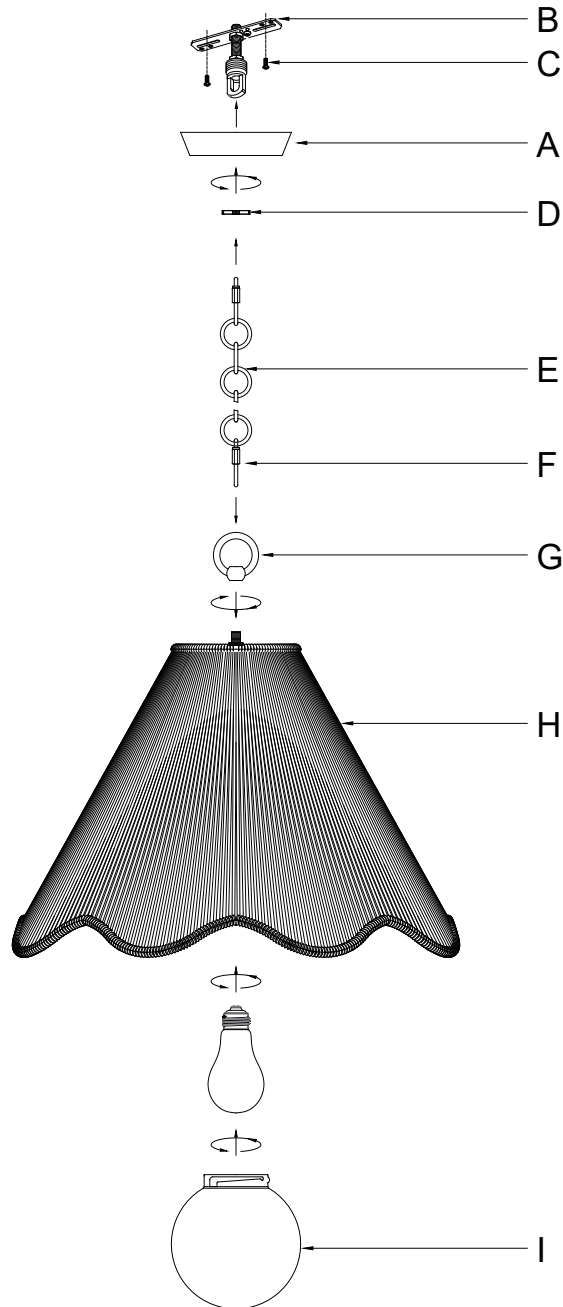
Installation & Operating Instructions for the
Owner's Installation ,Manual

WARNING: SHUT POWER OFF AT FUSE OR CIRCUIT BREAKER

Pendant Lighting



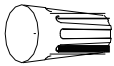
PACKAGE CONTENTS



PART	DESCRIPTION	QTY.	PART	DESCRIPTION	QTY.
A	Canopy	1	G	Loop	1
B	Mounting bracket	1	H	Lamp body	1
C	Outlet box screw	2	I	Shade	1
D	Canopy lock ring	1			
E	Chain	1			
F	Quick link	2			

HARDWARE CONTENTS

AA



Wire
Connector
Qty: 3

! SAFETY INFORMATION

Please read and understand this entire manual before attempting to assemble, operate or install the product.

! WARNING

- . IMPORTANT: NEVER attempt any work without shutting off the electricity.
- . Place the main power switch in the "OFF" position and unscrew the fuse(s), or switch "OFF" the circuit breaker switch(es), that control the power to the fixture or room you are working in.
- . Place the wall switch in the "OFF" position. If the fixture to be replaced has a switch or pull chain, place it in the "OFF" position.
- . Do not use bulbs with wattage greater than specified on this fixture.
- . California Prop. 65: This lighting fixture contains chemicals known to the state of California to cause cancer, birth defects, and/or other reproductive harm. Wash hands after use.

CAUTION

- . If you have any doubts about how to install this lighting fixture, or if the fixture fails to operate completely, please contact a licensed electrical contractor.
- . All parts must be used as indicated in these instructions. Do not substitute any parts, leave parts out, or use any parts that are worn out or broken. Failure to obey this instruction could invalidate ETL listing and/or C.S.A. certification of this fixture.

PREPARATION

Before beginning assembly of product, make sure all parts are present. Compare parts with package contents list and hardware contents list. If any part is missing or damaged, do not attempt to assemble the product.

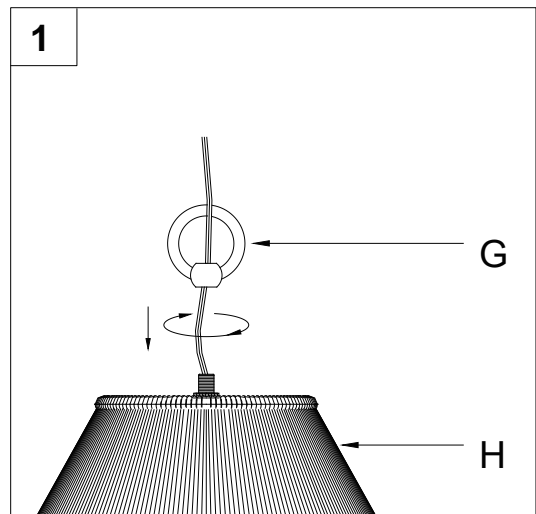
Estimated assembly time: 30 minutes to 1 hour

Tools Required for Assembly (not included): Phillips screwdriver, wire strippers, electrical tape, ladder, safety glasses.

ASSEMBLY INSTRUCTIONS

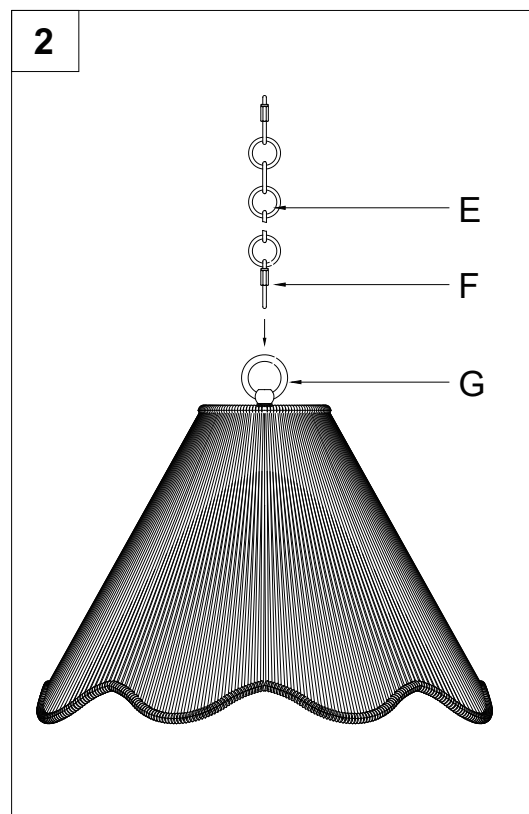
1. Loop (G) Lamp body (H)

Note: Guide the fixture wire with bare copper ground wire through the loop, and screw the loop onto the top of the lamp body securely.



2. Chain (E) Quick link (F) Loop (G)

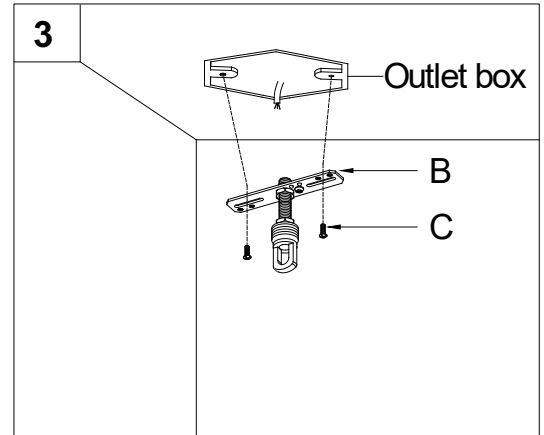
Note: Adjust the chain to the desired length, removing links if necessary. Connect one end of the chain to the loop with one quick link and close the quick link.



ASSEMBLY INSTRUCTIONS

3. Mounting bracket (B) Outlet box screw (C)

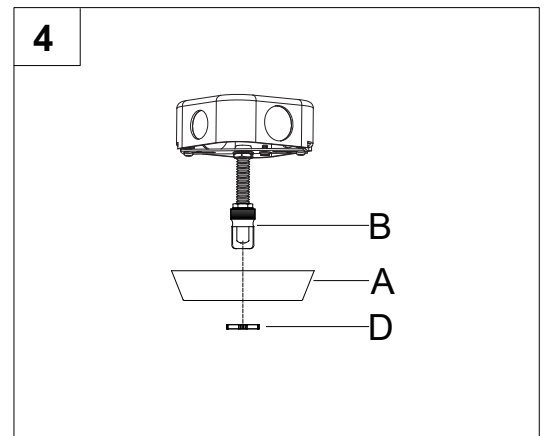
Not e: Secure the mounting bracket to the outlet box (not included) with outlet box screws. Tighten until snug.



4. Mounting bracket (B) Canopy (A)

Canopy lock ring (D)

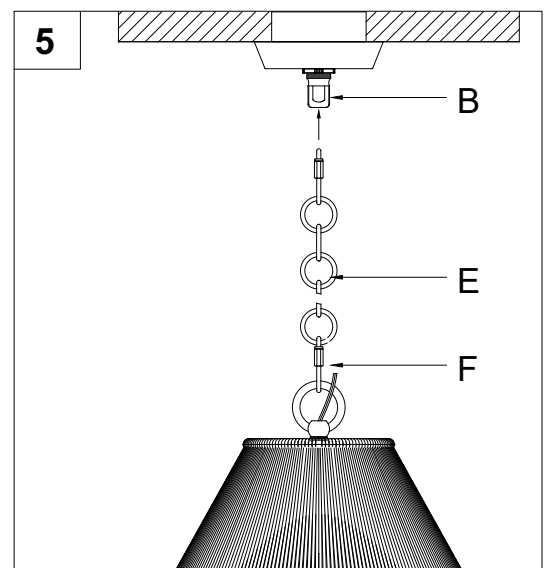
Not e: Remove the pre-assembled canopy lock ring from the mounting bracket. Temporarily attach the canopy to the pre-assembled nipple on the mounting bracket. Secure with the canopy lock ring.



5. Mounting bracket (B) Quick link (F)

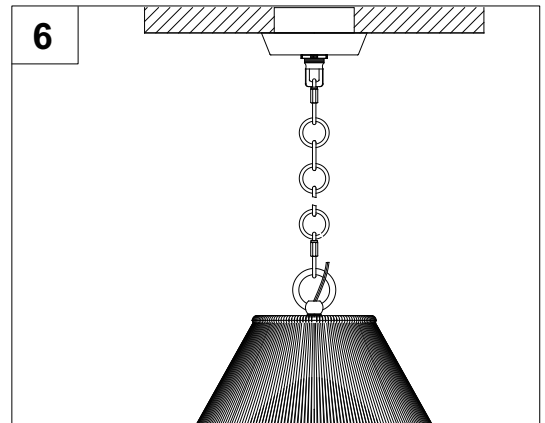
Chain (E)

Not e: Connect the other end of the chain to the canopy chain loop preassembled to the mounting bracket with the remaining quick link.



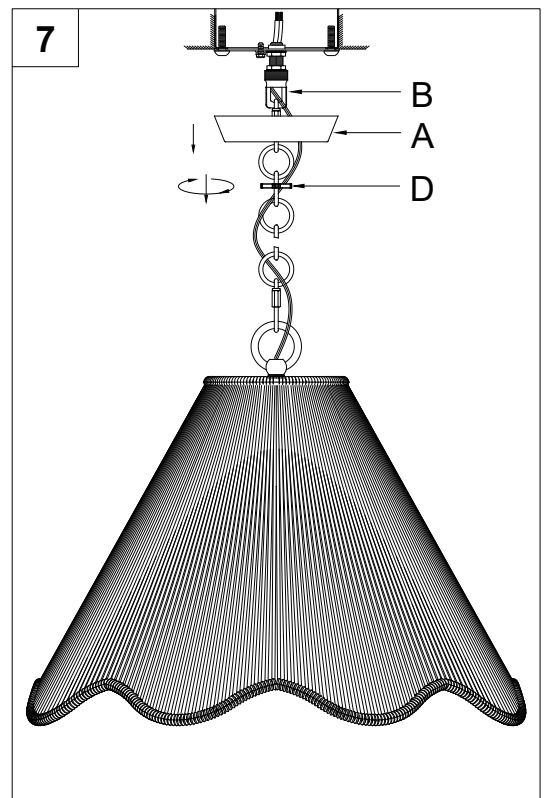
ASSEMBLY INSTRUCTIONS

6. Pull the supply wires and ground wire up through the chain alternating links. Push the ends of the supply wires and ground wire up through the canopy chain loop and into the outlet box. The remaining slack wire will be inserted into the outlet box in STEP 8.



7. Mounting bracket (B) Canopy (A)
Canopy lock ring (D)

Note: Unthread the canopy lock ring. Slide the canopy lock ring and the canopy down the quick link. Push all slack fixture wire through the canopy chain loop and into the outlet box.



ASSEMBLY INSTRUCTIONS

8. Wire connection guide:
Use the wire connectors to connect the wires.

Ground wire:

- For installation in the United States: Wrap ground wire from outlet box around ground screw preassembled on mounting bracket (B) no less than 2 in. from wire end. Tighten ground screw. If fixture is supplied with a ground wire, connect to outlet ground wire with a wire connector (AA).
- For installation in Canada: If fixture is supplied with ground wire, wrap ground wire around ground screw on mounting bracket (B). Tighten ground screw. Connect fixture ground wire to outlet ground wire with the wire connector (AA).

Supply wires:

- Connect the Neutral (White) supply wire from the outlet box to the Neutral fixture wire (White or Parallel Cord "D" shaped and ribbed).
- Connect the Hot (Black) supply wire from the outlet box to the Hot fixture wire (Black or Parallel Cord round and smooth).

NOTE:

Fixture wires will either be:

- Black and White.
- Parallel Cord SPT-1 lamp wire with one round smooth wire and one "D" shaped ribbed wire.

Hardware Used

AA Wire Connector



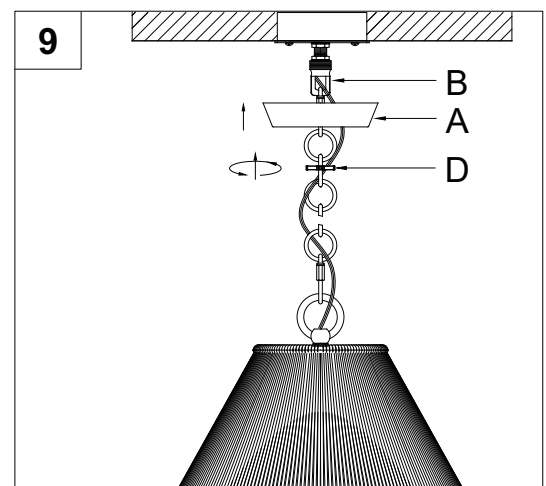
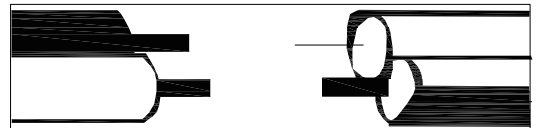
x 3

9. Mounting bracket (B) Canopy (A)

Canopy lock ring (D)

Note: Attach the canopy back over the canopy chain loop. Secure with the canopy lock ring.

BARE COPPER, OR GREEN GROUND SUPPLY WIRE	AA BARE COPPER, OR GREEN GROUND FIXTURE WIRE
BLACK SUPPLY WIRE	BLACK FIXTURE WIRE
WHITE SUPPLY WIRE	WHITE FIXTURE WIRE
BLACK SUPPLY WIRE	OR PARALLEL FIXTURE CORD (ROUND AND SMOOTH)
WHITE SUPPLY WIRE	PARALLEL FIXTURE CORD ("D" SHAPED AND RIBBED)



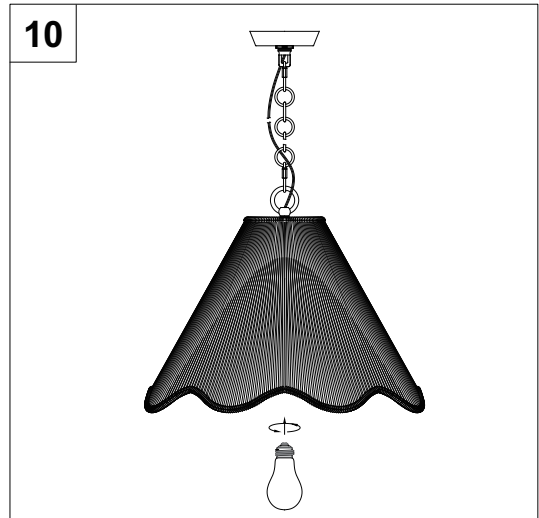
ASSEMBLY INSTRUCTIONS

10. Install the correct bulb (not included) referring to fixture markings and/or labels for maximum wattage.



NOTE: Use one 60W maximum medium base (E26) type "A" or 9W maximum medium base (E26) self-ballasted LED bulb (sold separately).

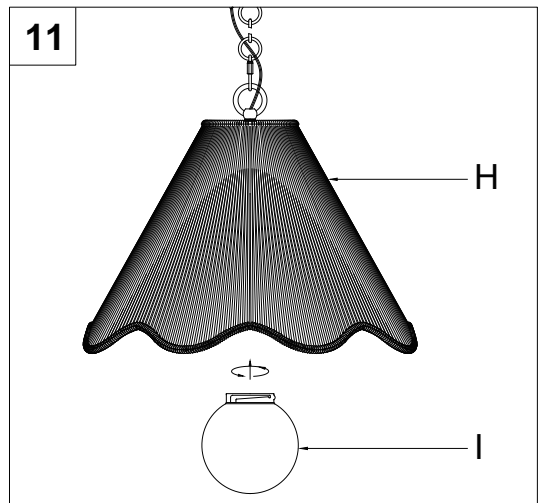
10



11. Shade (I) Lamp body (H)

Note: Align the slots on the Shade to the studs on the cap on the lamp body and twist the Shade until it is secure.

11



CARE AND MAINTENANCE

- . Always be certain that electric current is turned off before cleaning this item.
- . Use a soft, moist cloth with mild non-abrasive soap to clean fixture. Never use glass cleaner on fixture, as it will damage the metal finish.
- . All glass shades may be washed in a towel-lined sink with warm water and mild soap. Do not wash shades in an automatic dishwasher.

TROUBLESHOOTING

PROBLEM	POSSIBLE CAUSE	CORRECTIVE ACTION
Fixture does not light.	1. Fixture may be wired incorrectly. 2. Worn or broken bulb.	1. Check wiring. 2. Replace bulb.